



US00D917333S

(12) **United States Design Patent** (10) **Patent No.:** **US D917,333 S**
Duncan et al. (45) **Date of Patent:** **** Apr. 27, 2021**

(54) **MAGNETIC JEWELRY CLASP**

FOREIGN PATENT DOCUMENTS

(71) Applicants: **William Stuart Duncan**, Georgetown, SC (US); **Beeman E. Burgoon, Jr.**, Georgetown, SC (US)

DE 202014105724 U1 3/2016

Primary Examiner — Zenia I Bennett

(72) Inventors: **William Stuart Duncan**, Georgetown, SC (US); **Beeman E. Burgoon, Jr.**, Georgetown, SC (US)

(74) *Attorney, Agent, or Firm* — Carlson, Gaskey & Olds, P.C.

(**) Term: **15 Years**

(57) **CLAIM**

(21) Appl. No.: **29/698,596**

We claim the ornamental design for a magnetic jewelry clasp, as shown and described.

(22) Filed: **Jul. 18, 2019**

Related U.S. Application Data

DESCRIPTION

(63) Continuation of application No. 16/044,700, filed on Jul. 25, 2018, now Pat. No. 10,376,022.

(51) **LOC (13) Cl.** **11-01**

(52) **U.S. Cl.**

USPC **D11/87**

(58) **Field of Classification Search**

USPC D11/1–29, 86–88

CPC A44C 5/00; A44C 5/002; A44C 5/2085;

A44C 5/2042; A44C 5/2071; A44C

11/32; A44B 99/00

See application file for complete search history.

FIG. 1 is a perspective view of a first part of a disclosed magnetic jewelry clasp.

FIG. 2 is an end view of a first end of the first part of the disclosed magnetic jewelry clasp.

FIG. 3 is an end view of a second end of the first part of the disclosed magnetic jewelry clasp.

FIG. 4 is a side view of a first side of the first part of the disclosed magnetic jewelry clasp.

FIG. 5 is another side view of a second side of the first part of the disclosed magnetic jewelry clasp.

FIG. 6 is a top view of the first part of the disclosed magnetic jewelry clasp.

FIG. 7 is a bottom view of the first part of the disclosed magnetic jewelry clasp.

FIG. 8 is an exploded perspective view of the first part and a second part of a magnetic jewelry clasp.

FIG. 9 is a perspective view of the first part and the second part of the magnetic jewelry clasp in an assembled condition; and,

FIG. 10 is an environmental view of the example magnetic jewelry clasp on a bracelet.

The broken lines in the drawing depicting the second portion of the magnetic jewelry clasp are for illustrative purposes only and form no part of the claimed design.

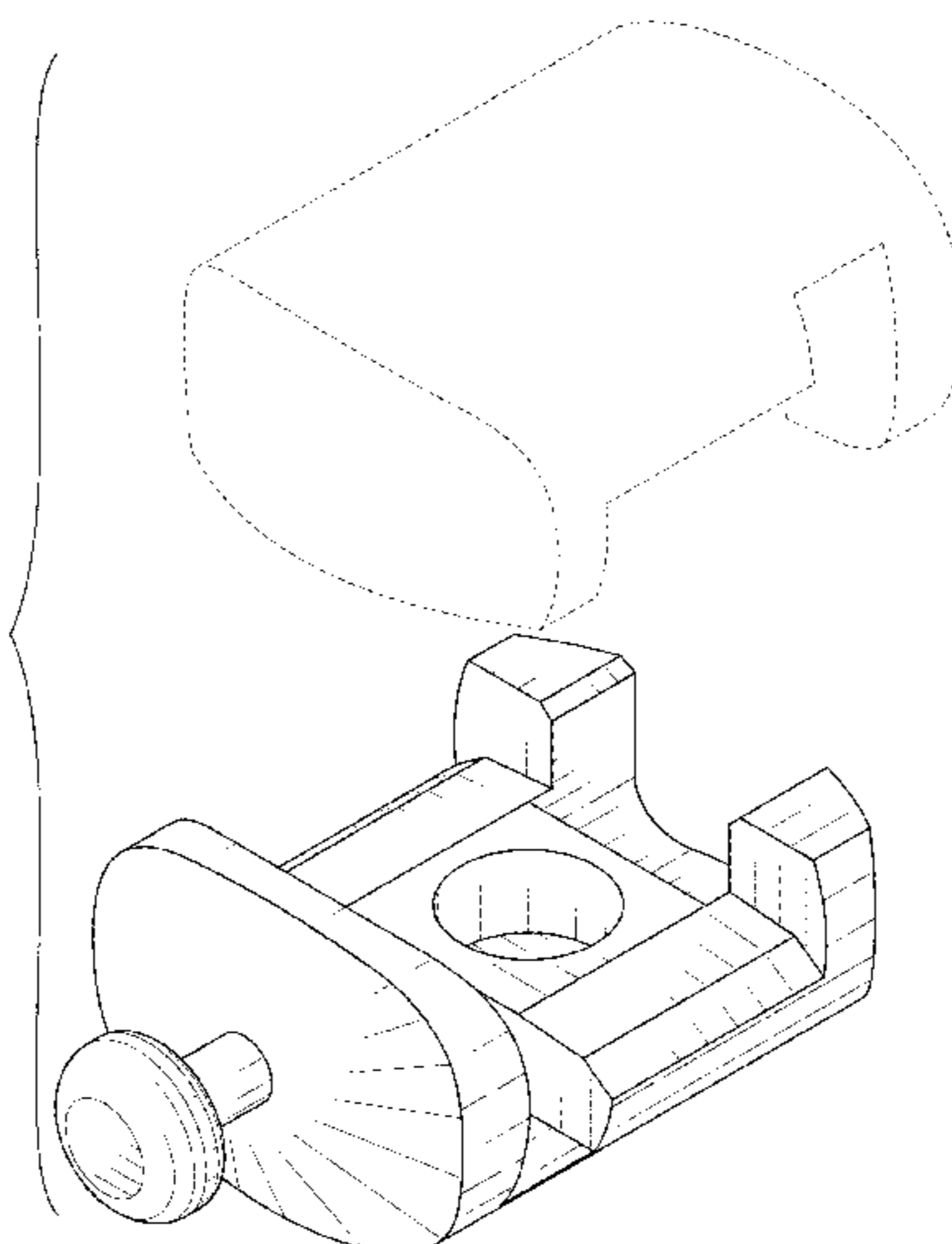
(56) **References Cited**

U.S. PATENT DOCUMENTS

2,615,227	A	10/1952	Hornik	
2,648,884	A	8/1953	Loofboro	
3,008,209	A	11/1961	Kurt	
4,231,137	A	11/1980	Fujimoto	
4,901,405	A	2/1990	Grover et al.	
5,197,168	A *	3/1993	Levy	A44C 5/2076 24/303
5,664,298	A	9/1997	Nessar-Ivanovic	
5,806,346	A *	9/1998	Schlinger	A44C 5/2071 24/303
6,598,271	B2	7/2003	Nire	
6,598,272	B2	7/2003	Nire	

(Continued)

1 Claim, 5 Drawing Sheets



(56)

References Cited

U.S. PATENT DOCUMENTS

7,007,507	B2	3/2006	Enevoldson	
7,181,939	B2 *	2/2007	Andersen	A45C 11/32 70/395
D561,636	S *	2/2008	Khubani	D11/87
7,690,088	B2 *	4/2010	Kogen	A44C 5/2076 24/303
9,101,185	B1	8/2015	Greenberg	
9,603,401	B2 *	3/2017	Pruitt	A44B 99/00
D882,452	S *	4/2020	Duncan	D11/87
D886,658	S *	6/2020	Duncan	D11/87

* cited by examiner

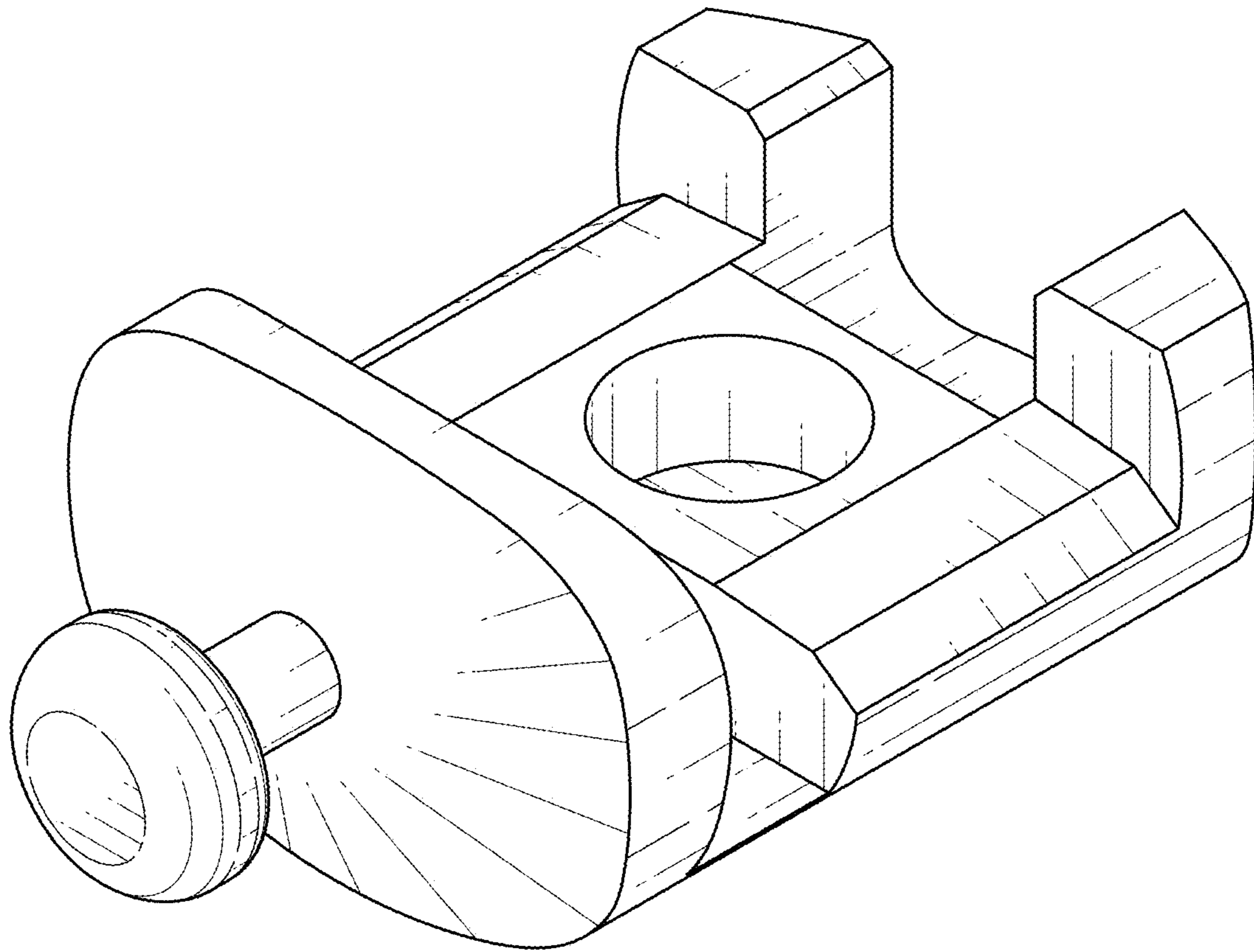


FIG. 1

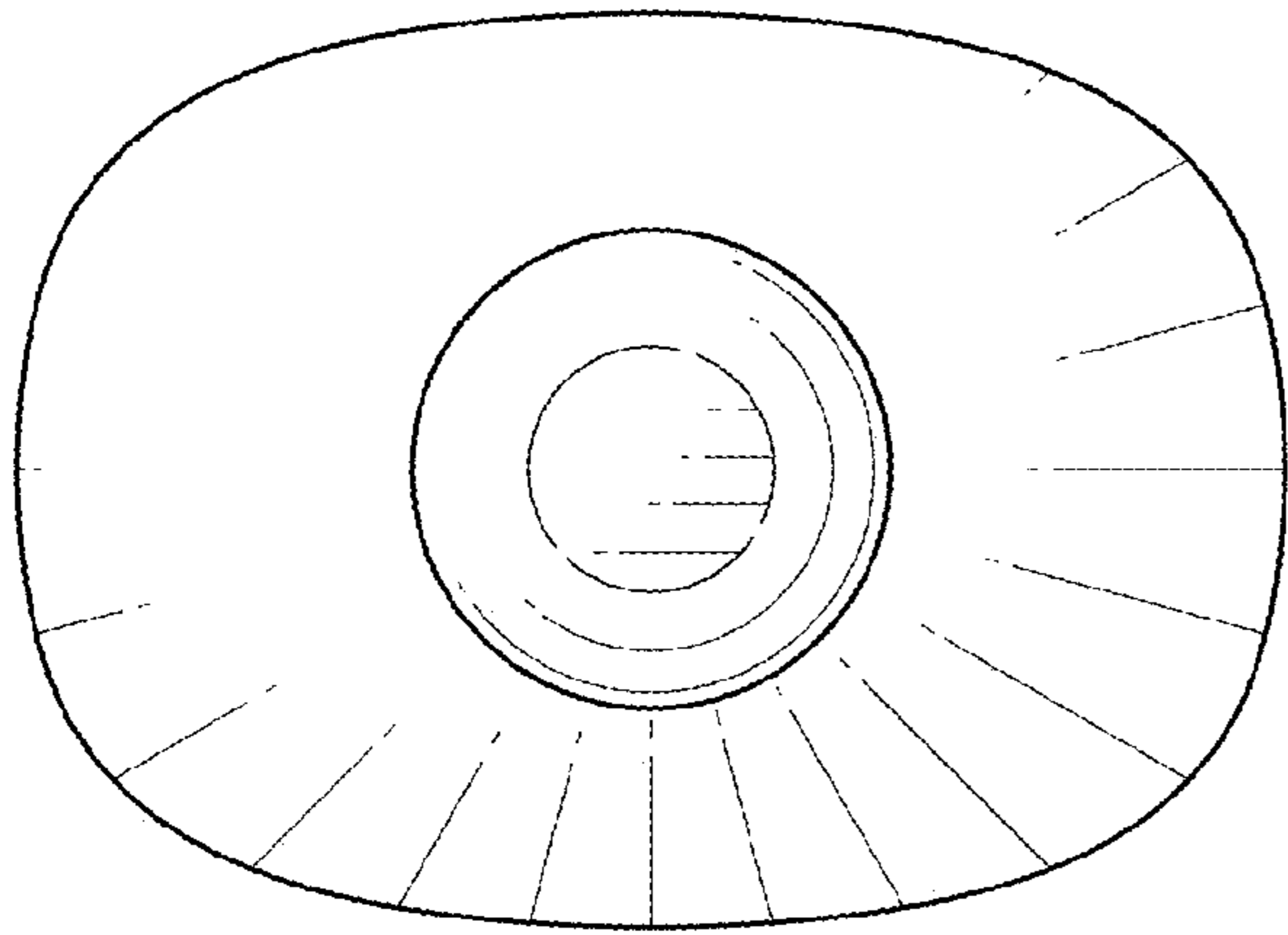


FIG. 2

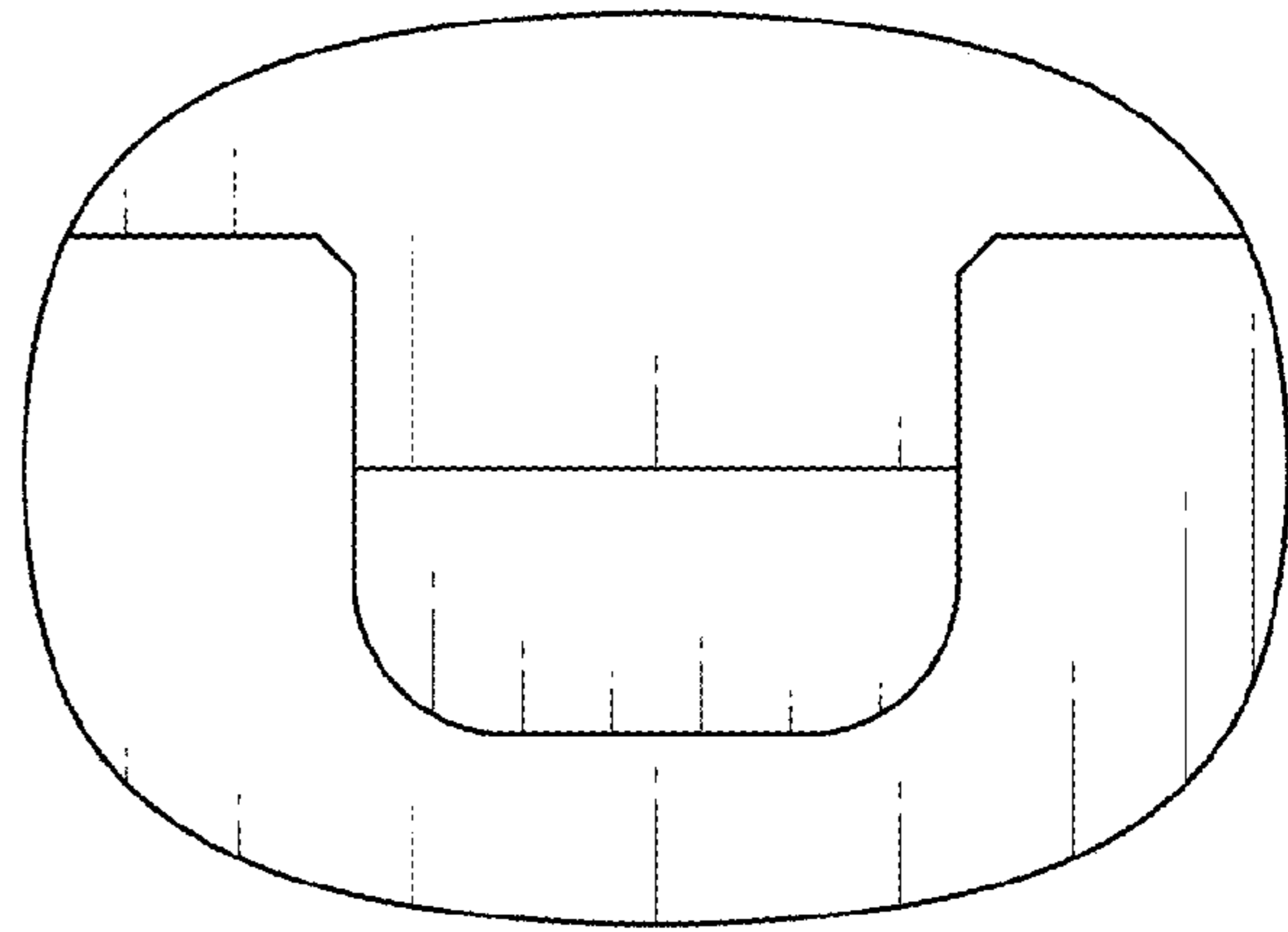


FIG. 3

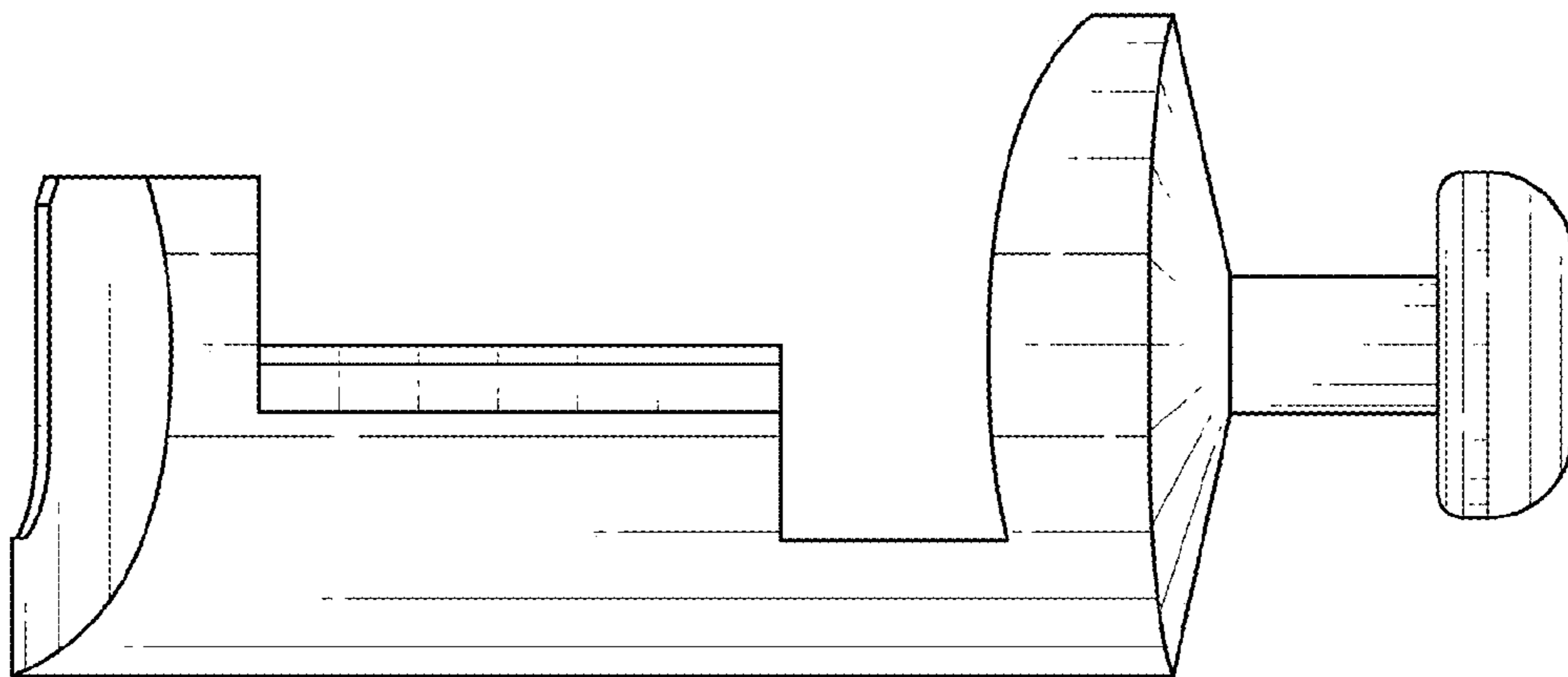


FIG. 4

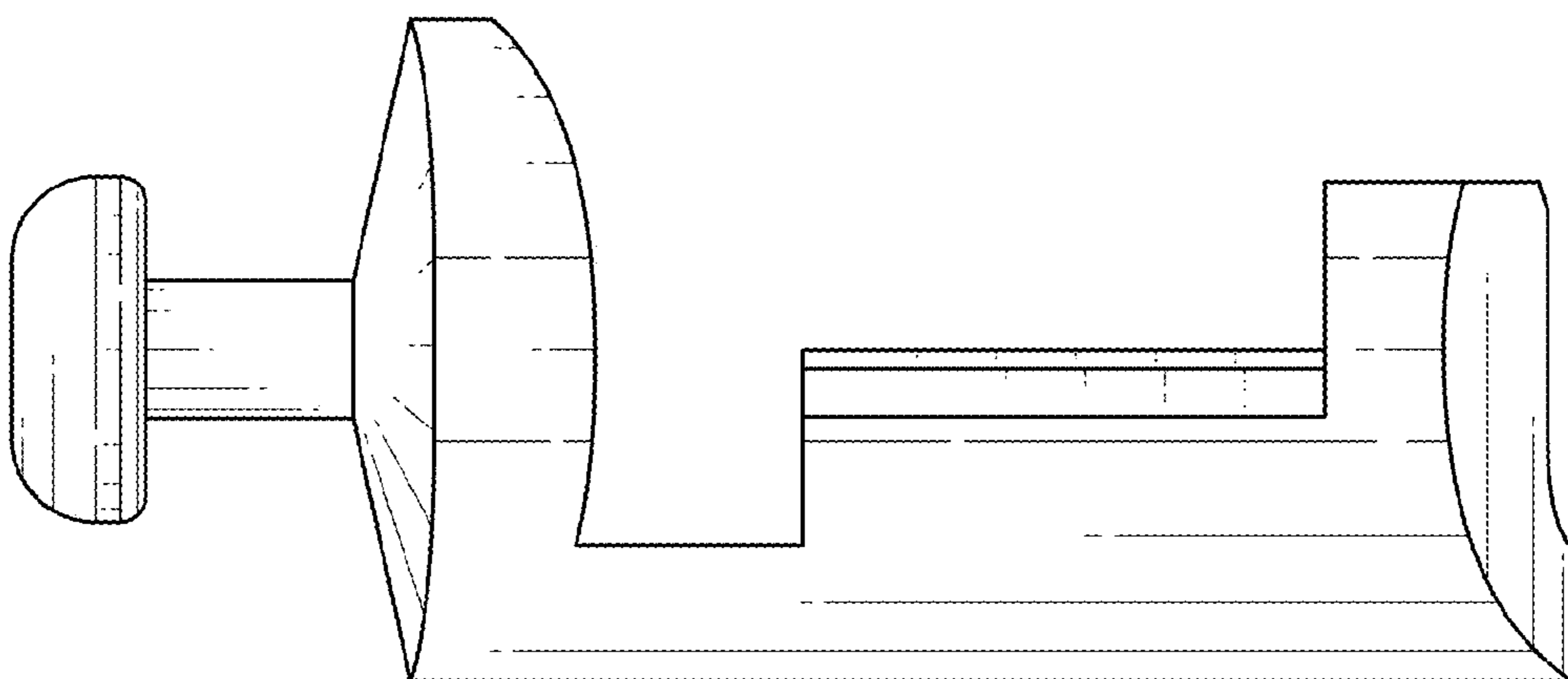


FIG. 5

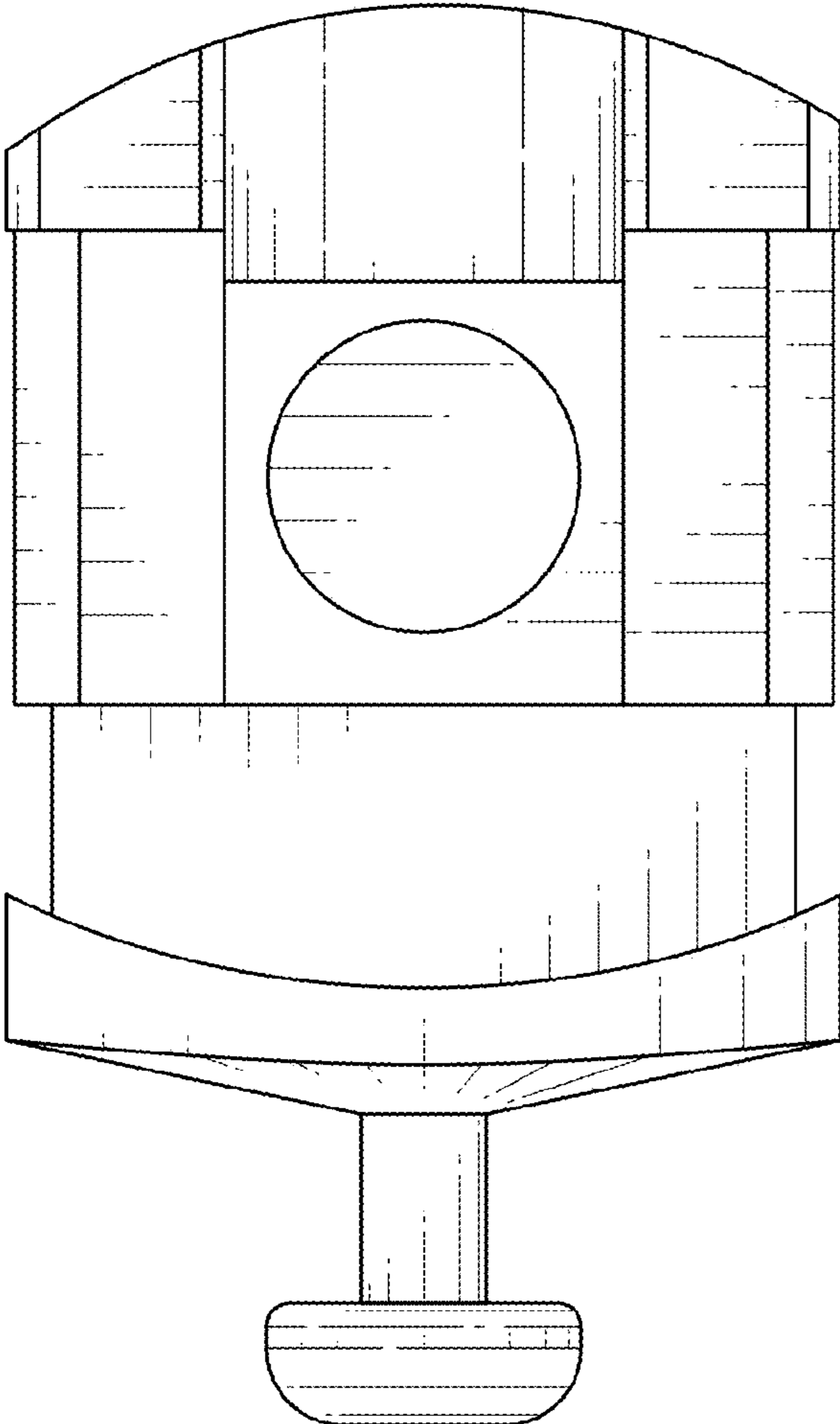


FIG. 6

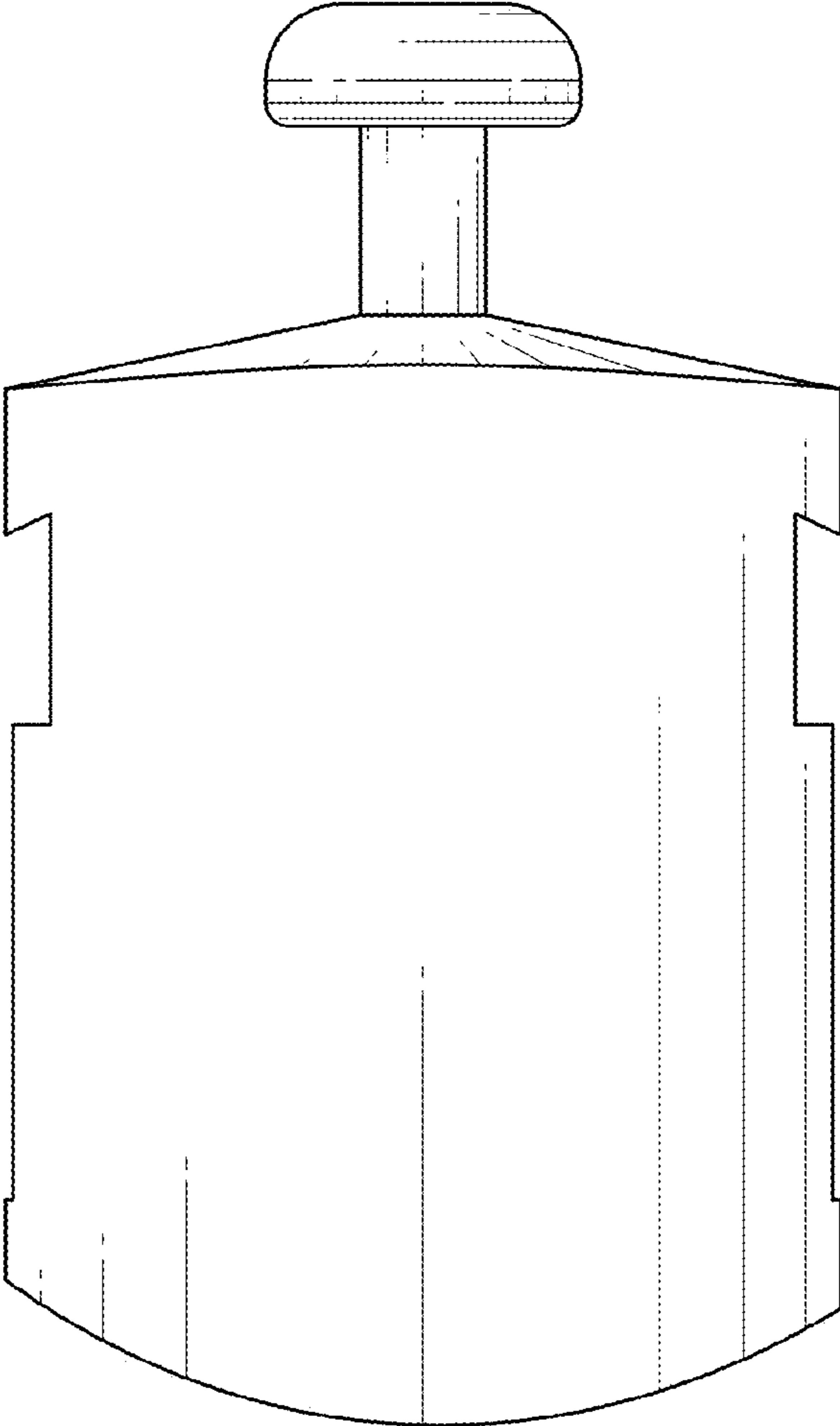


FIG. 7

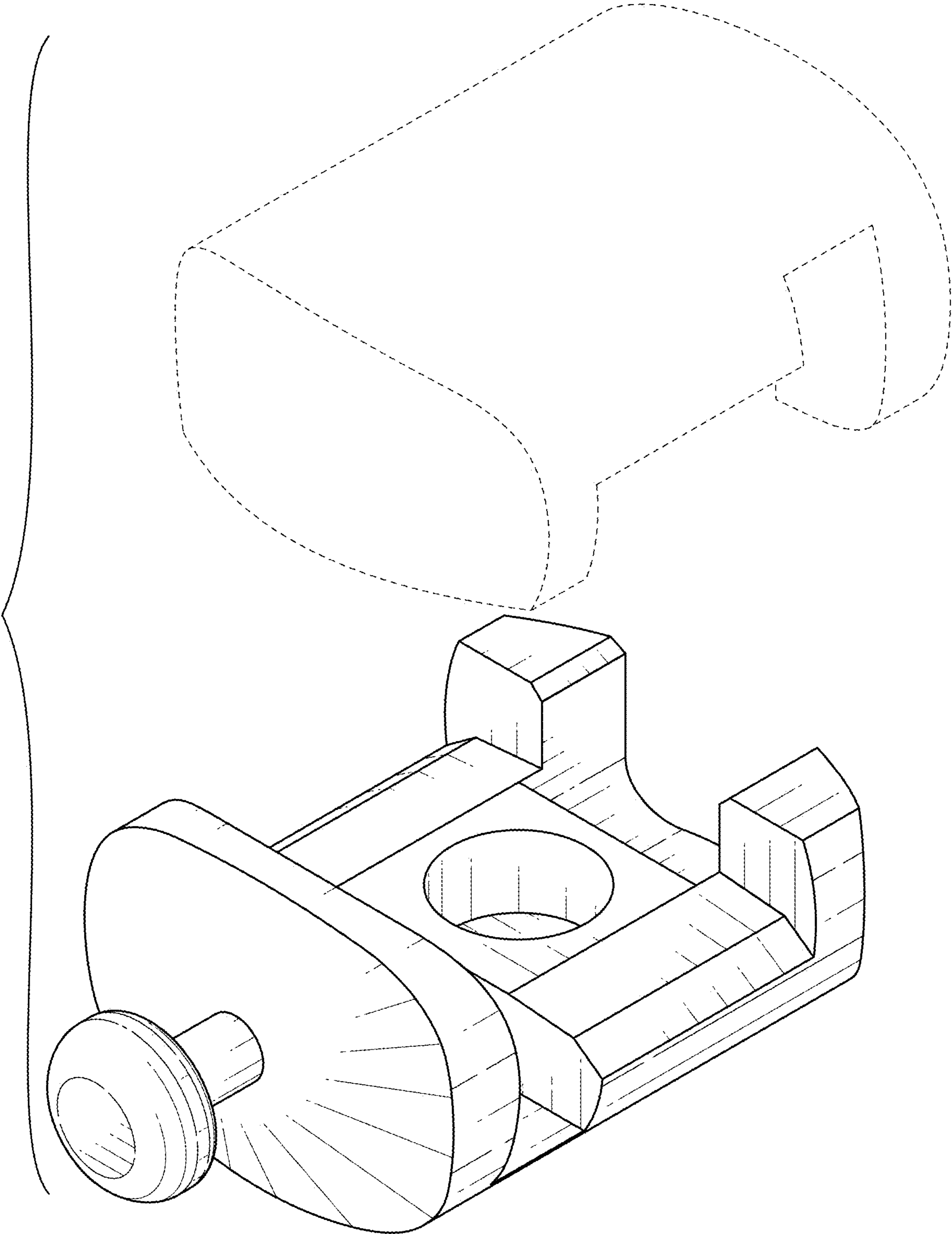


FIG. 8

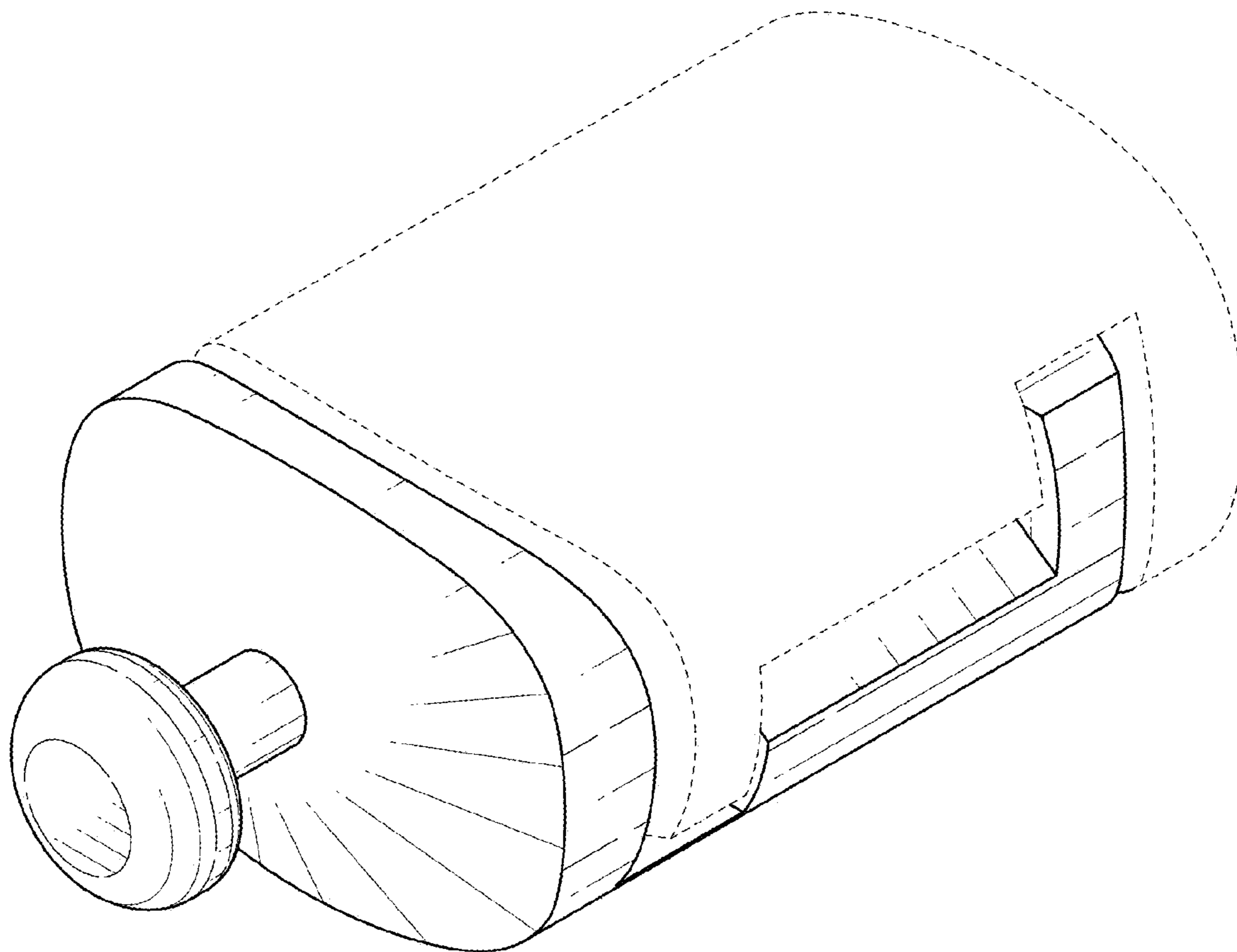


FIG. 9

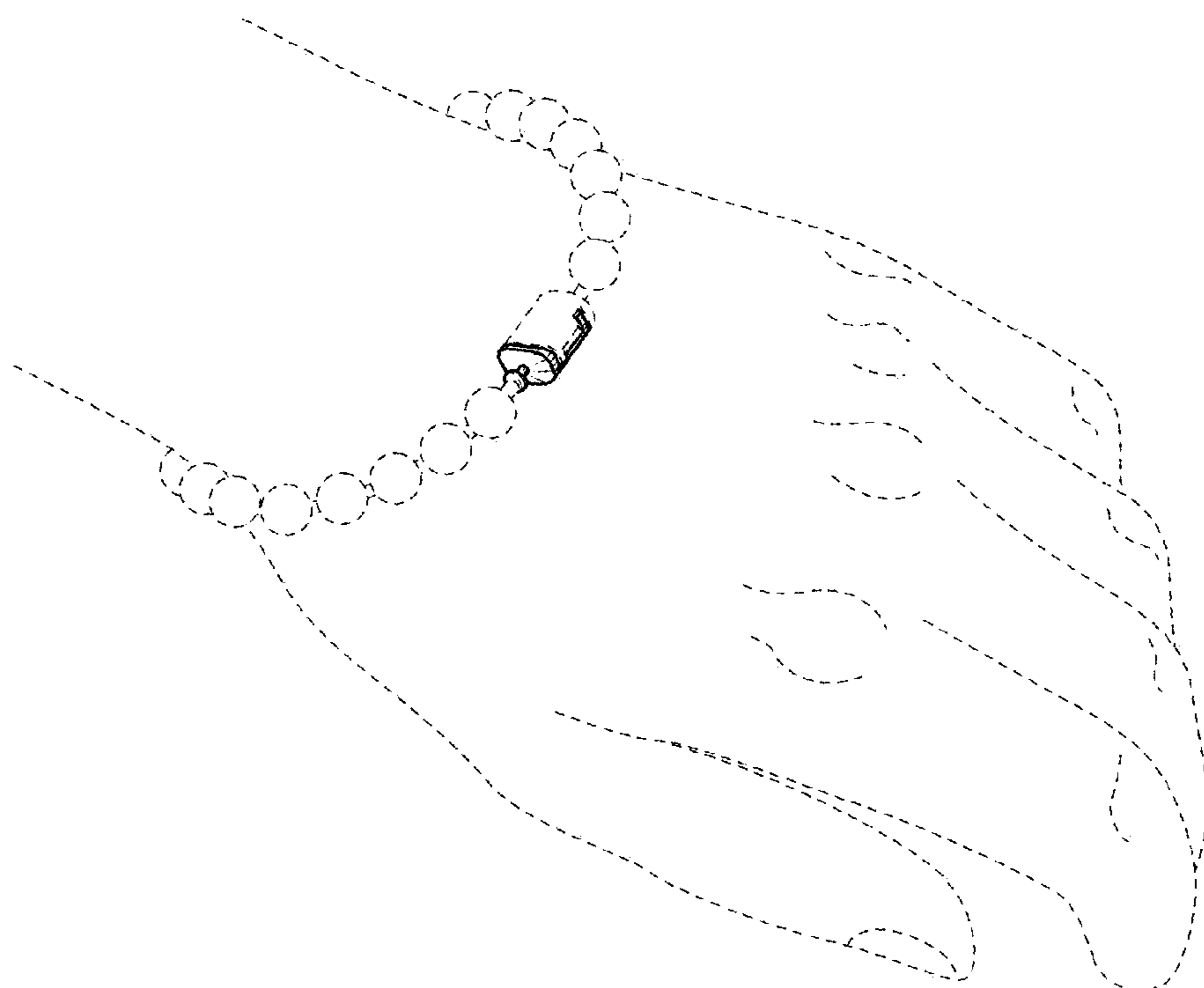


FIG. 10