



US00D917323S

(12) **United States Design Patent**
Ghuman et al.

(10) **Patent No.:** **US D917,323 S**

(45) **Date of Patent:** **** Apr. 27, 2021**

(54) **MOVEABLE BARRIER**

8,393,822 B2 * 3/2013 Hotchkin E01F 15/085
404/6

(71) Applicant: **Vandorf MB1 Inc.**, Stouffville (CA)

* cited by examiner

(72) Inventors: **Mohammad Ghuman**, Oakville, CA (US); **Benjamin Powell**, King City, CA (US); **Dean Alberson**, Bryan, TX (US)

Primary Examiner — George D. Kirschbaum

(73) Assignee: **Vandorf MB1 Inc.**, Stouffville (CA)

(74) *Attorney, Agent, or Firm* — Scheef & Stone, L.L.P.; John G. Fischer, Esq.

(**) Term: **15 Years**

(57) **CLAIM**

(21) Appl. No.: **35/001,670**

The ornamental design for a moveable barrier, as shown and described.

(22) Filed: **Apr. 4, 2019**

(80) **Hague Agreement Data**

DESCRIPTION

Int. Filing Date: **Apr. 4, 2019**

1.-2. Moveable Barrier

Int. Reg. No.: **DM/205998**

1.1 : Perspective

Int. Reg. Date: **Apr. 4, 2019**

1.2 : Top

Int. Reg. Pub. Date: **Feb. 28, 2020**

1.3 : Front

1.4 : Bottom

(51) **LOC (13) Cl.** **10-05**

1.5 : Back

(52) **U.S. Cl.**

1.6 : Left

USPC **D10/113.3**

1.7 : Right

(58) **Field of Classification Search**

2.1 : Perspective

USPC **D10/113.3**

2.2 : Top

CPC **E01F 15/00; E01F 15/085; E01F 15/086;**

2.3 : Front

E01F 15/088

2.4 : Bottom

See application file for complete search history.

2.5 : Back

2.6 : Left

2.7 : Right

(56) **References Cited**

The broken line showing is included for the purpose of illustrating portions of the "article" and forms no part of the claimed design. The break lines in the drawings indicate that the appearance of any portion of the moveable barrier between the break lines forms no part of the claimed design.

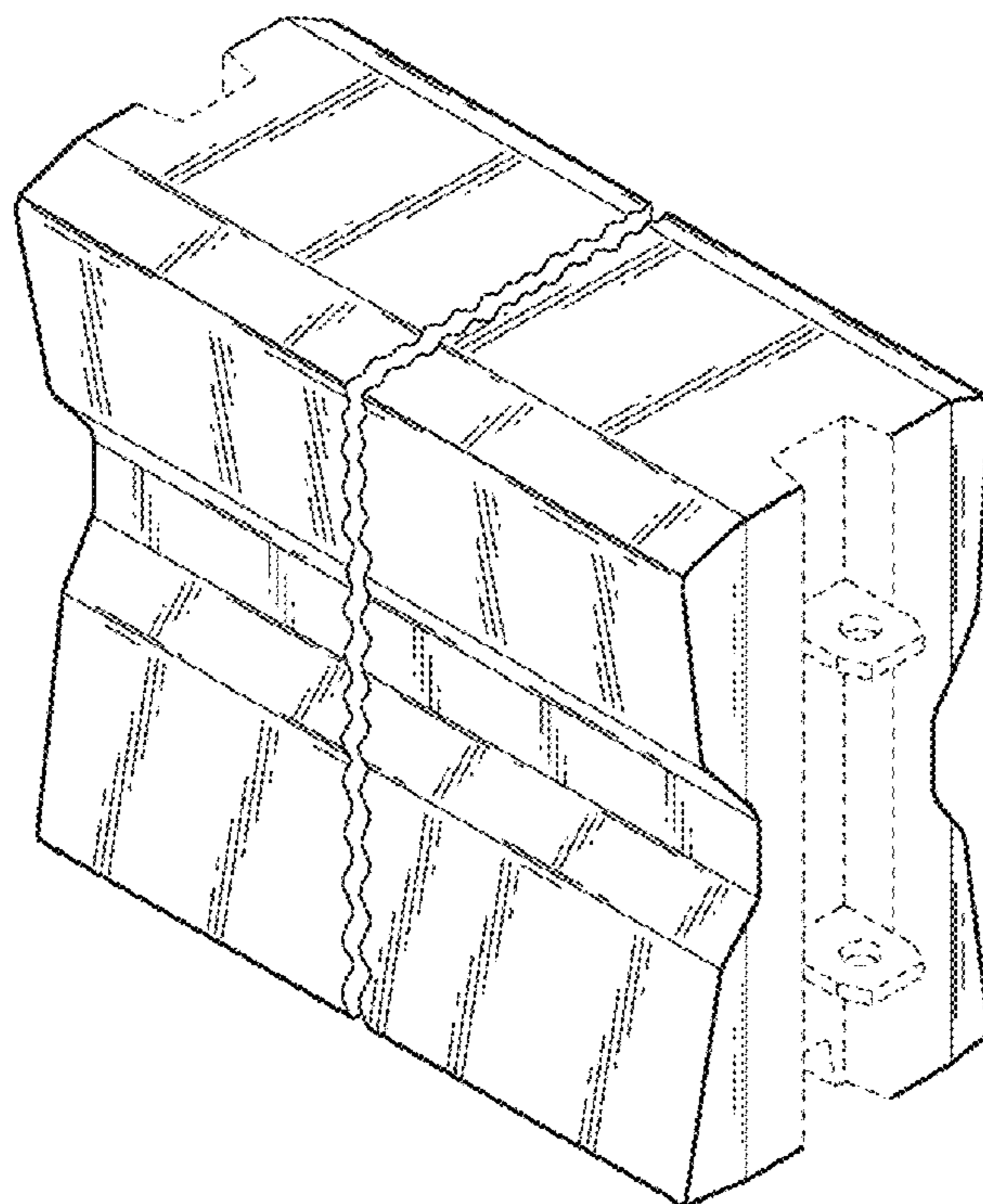
U.S. PATENT DOCUMENTS

6,428,237 B1 * 8/2002 Duckett E01F 15/086
256/13.1

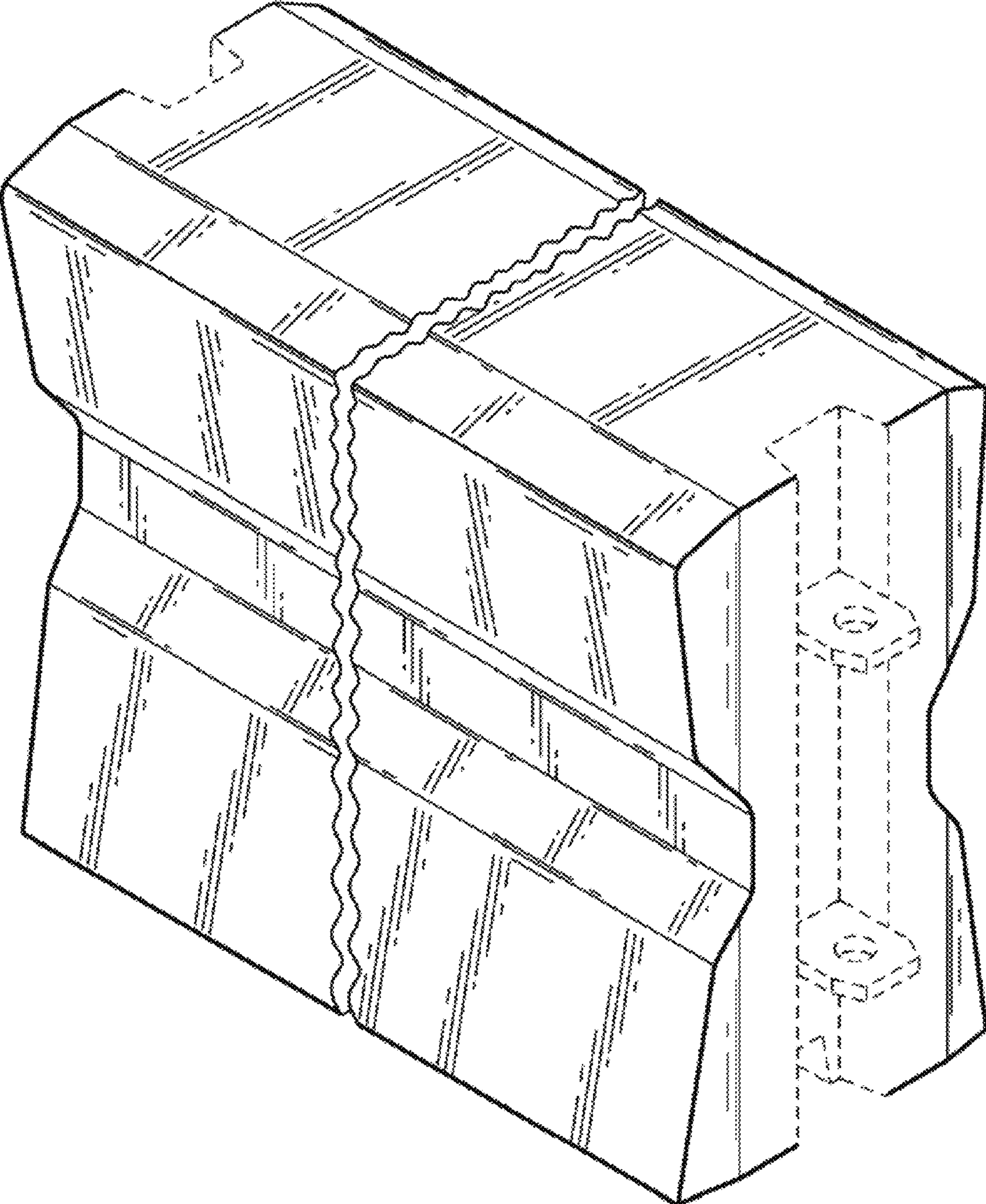
6,439,802 B1 * 8/2002 Duckett E01F 15/088
404/6

D596,062 S * 7/2009 Yodock, III D10/113.3

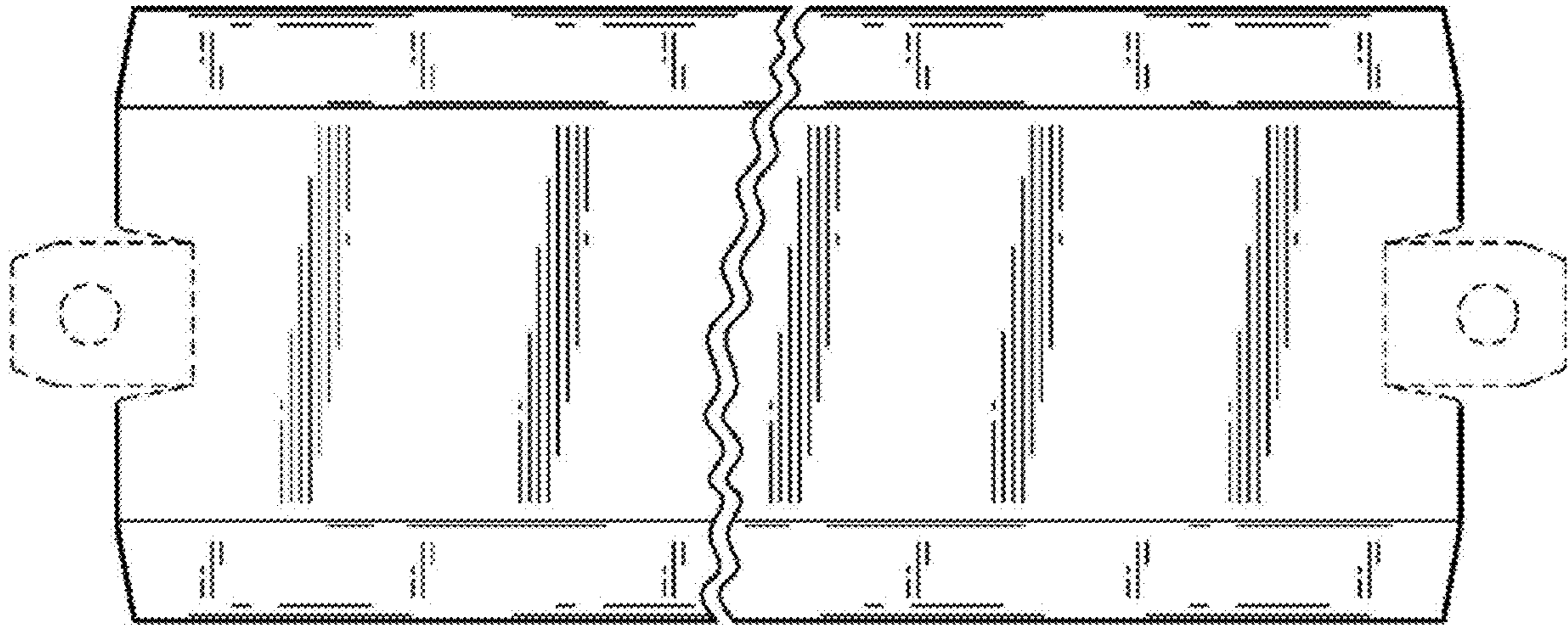
1 Claim, 14 Drawing Sheets



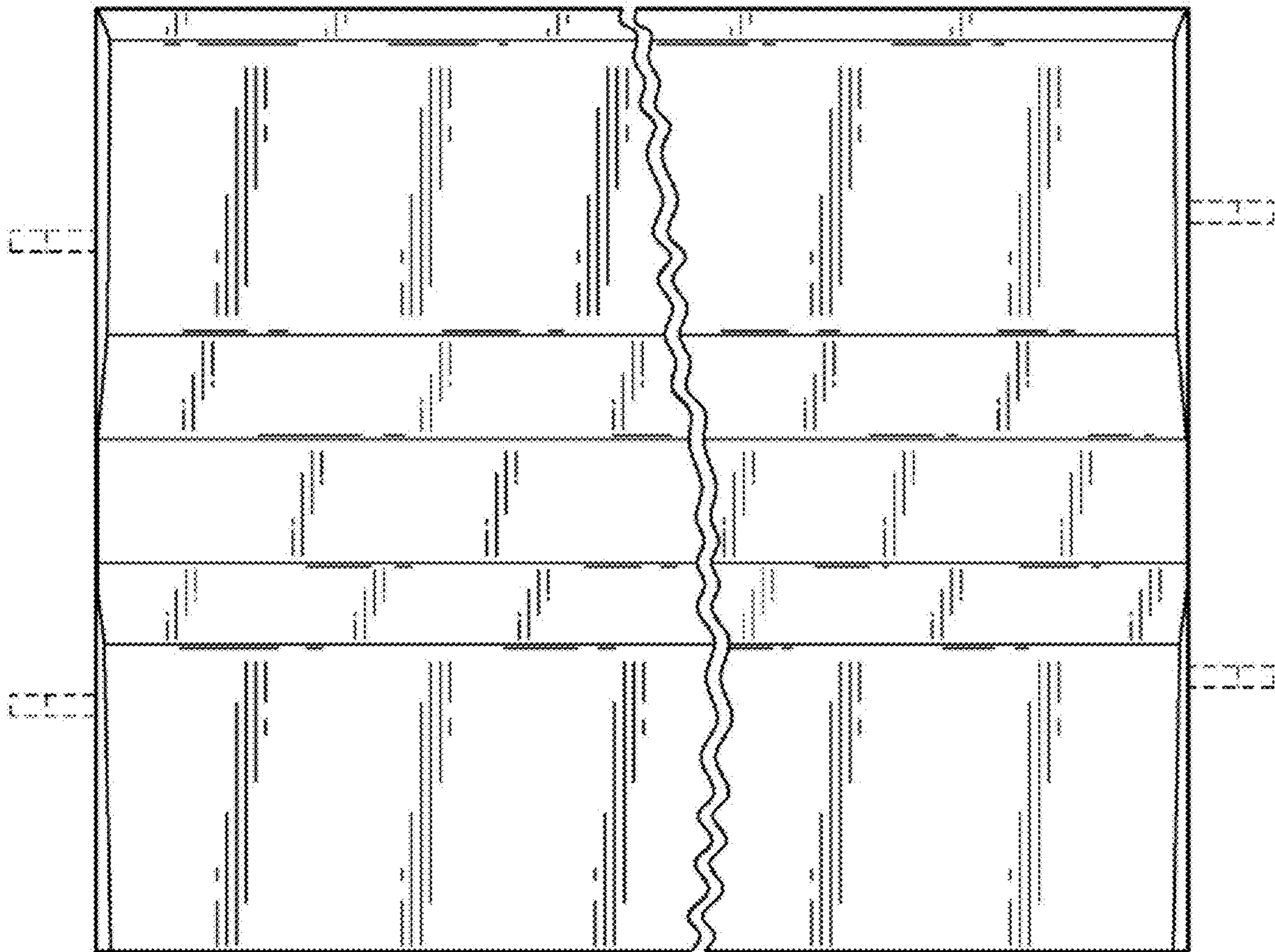
1.1



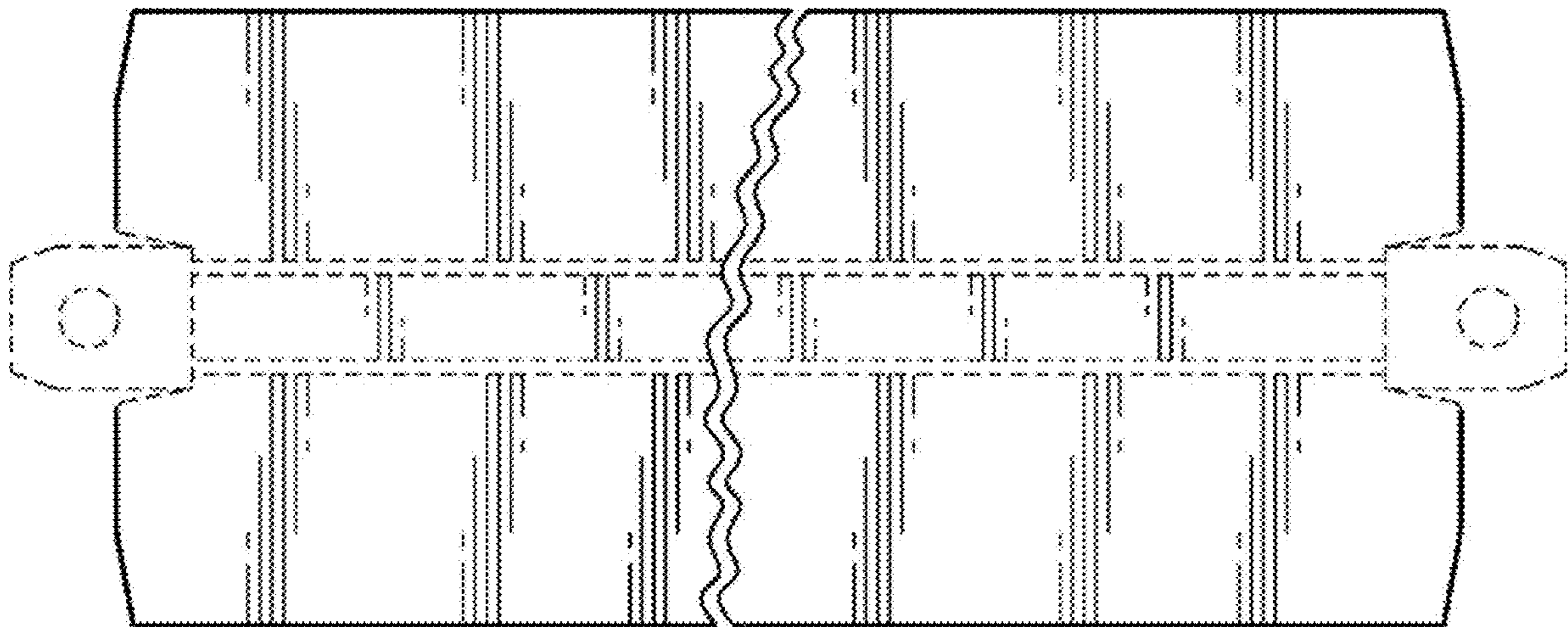
1.2



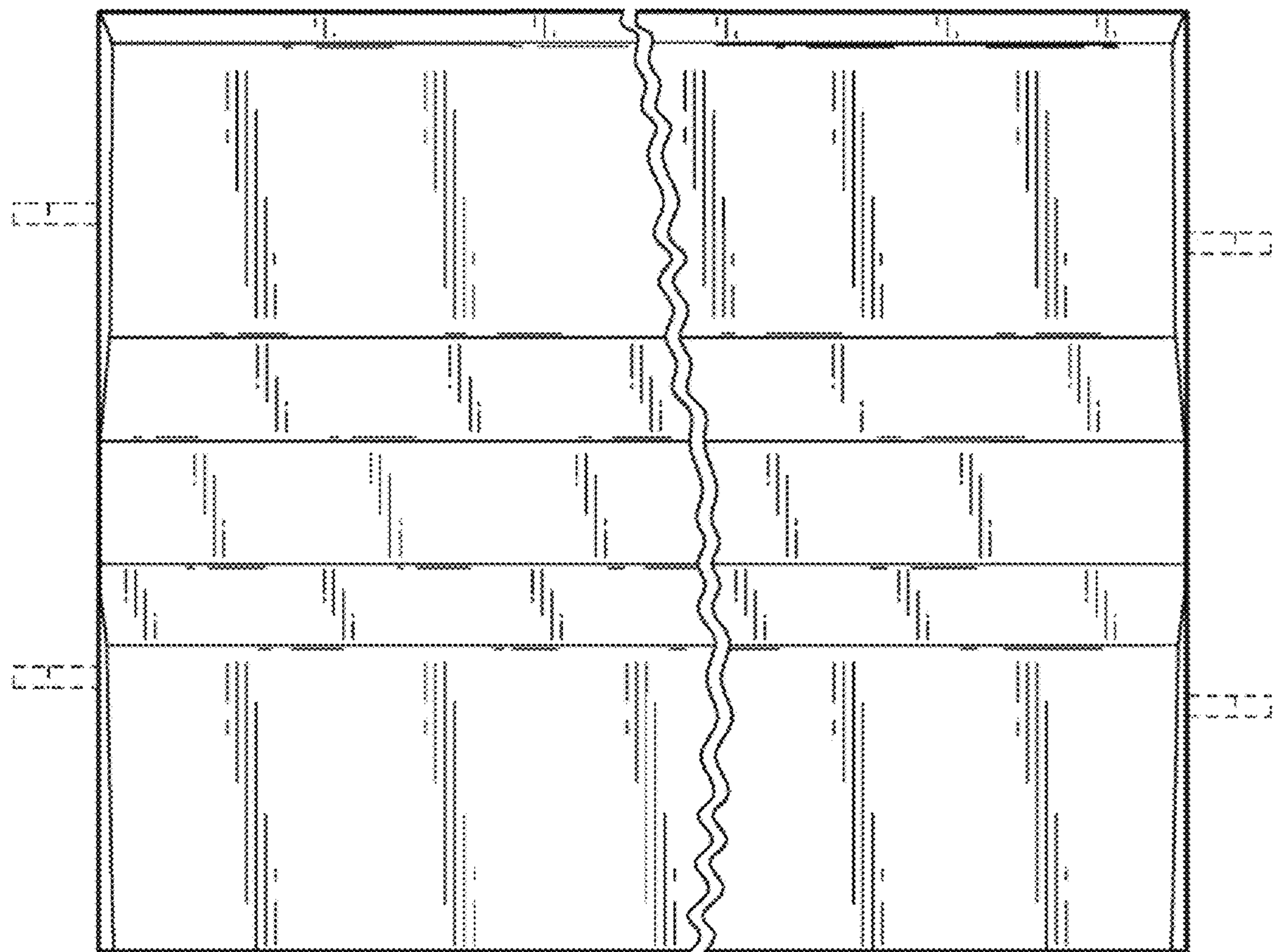
1.3



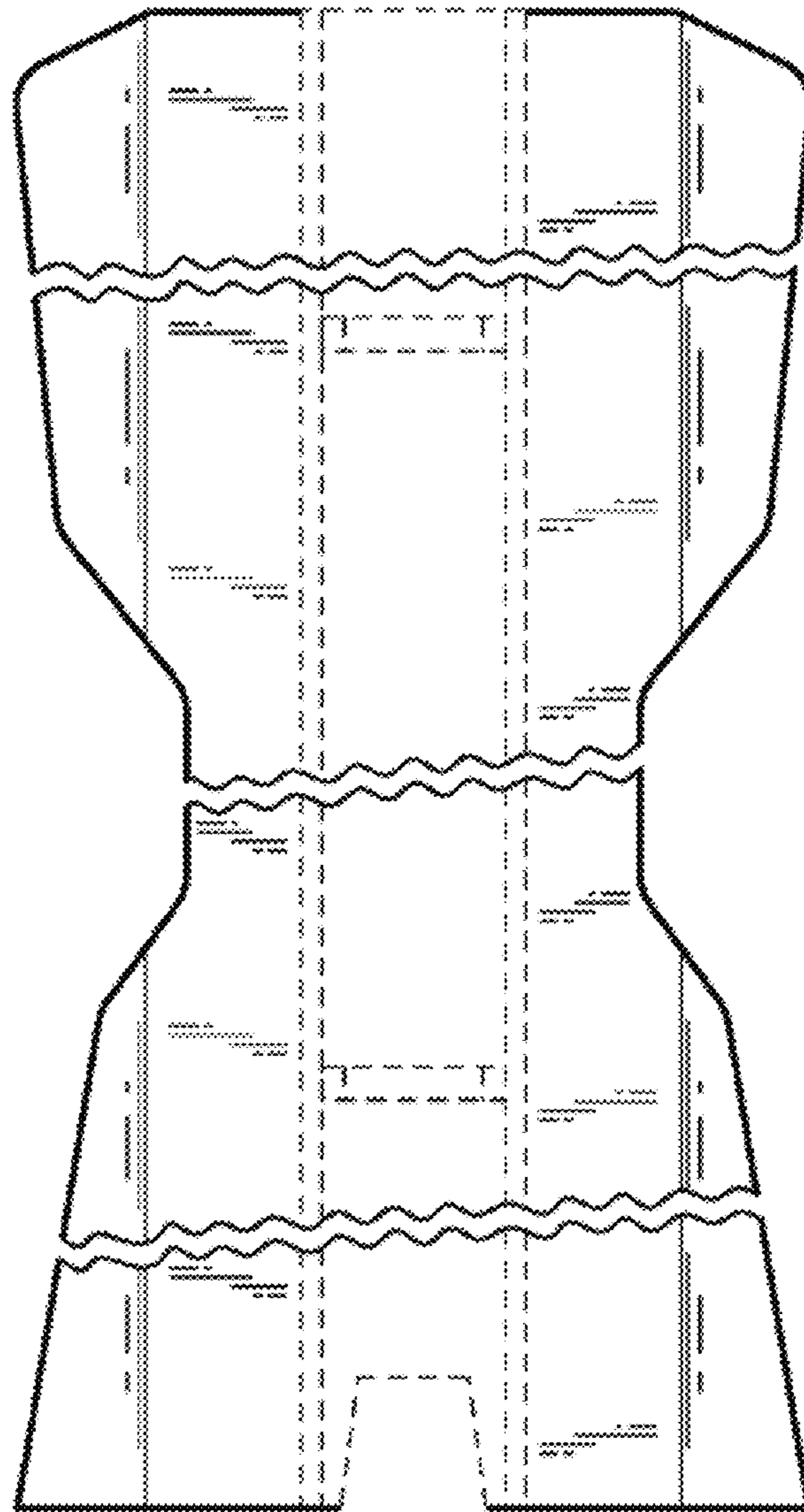
1.4



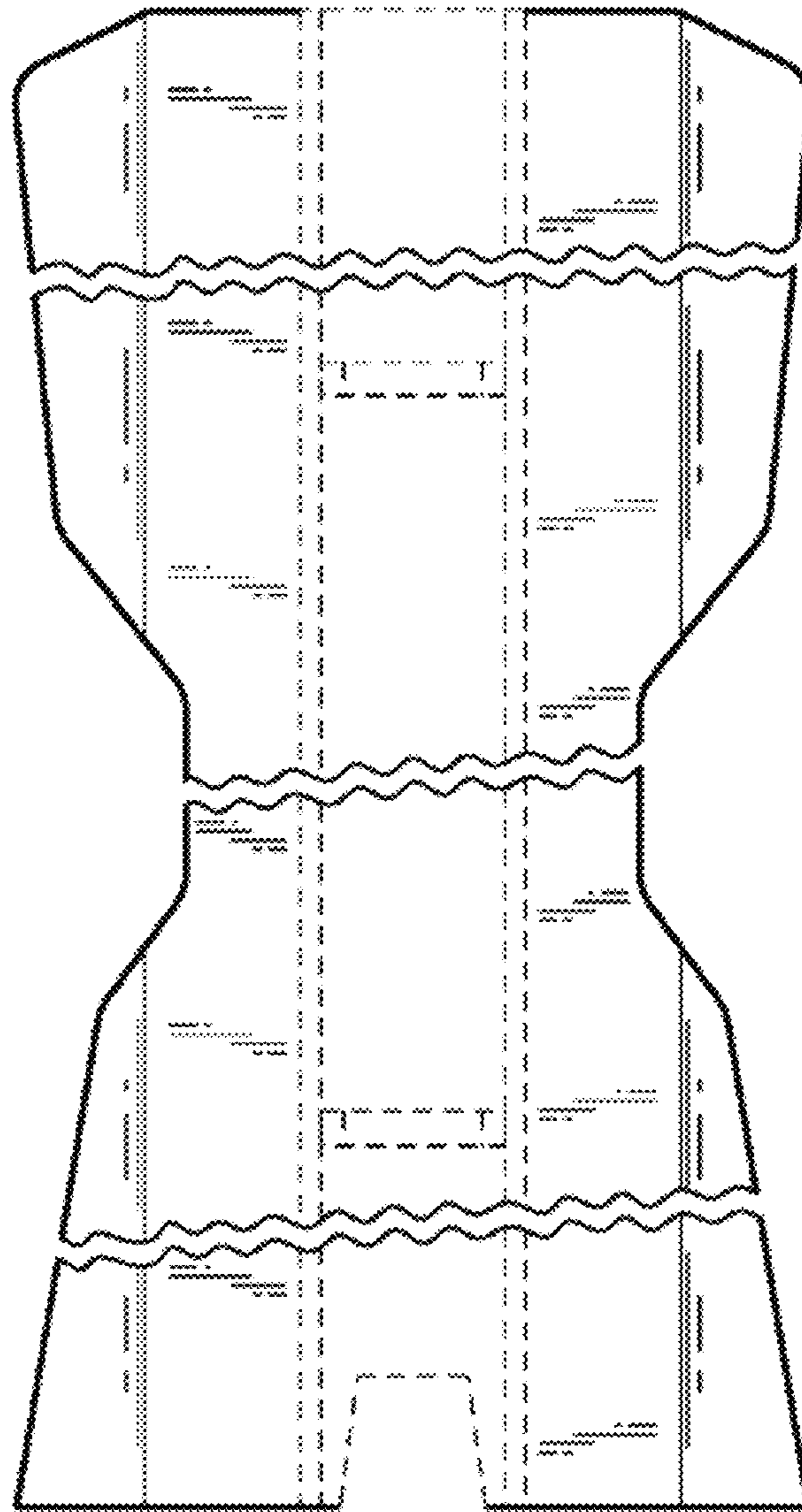
1.5



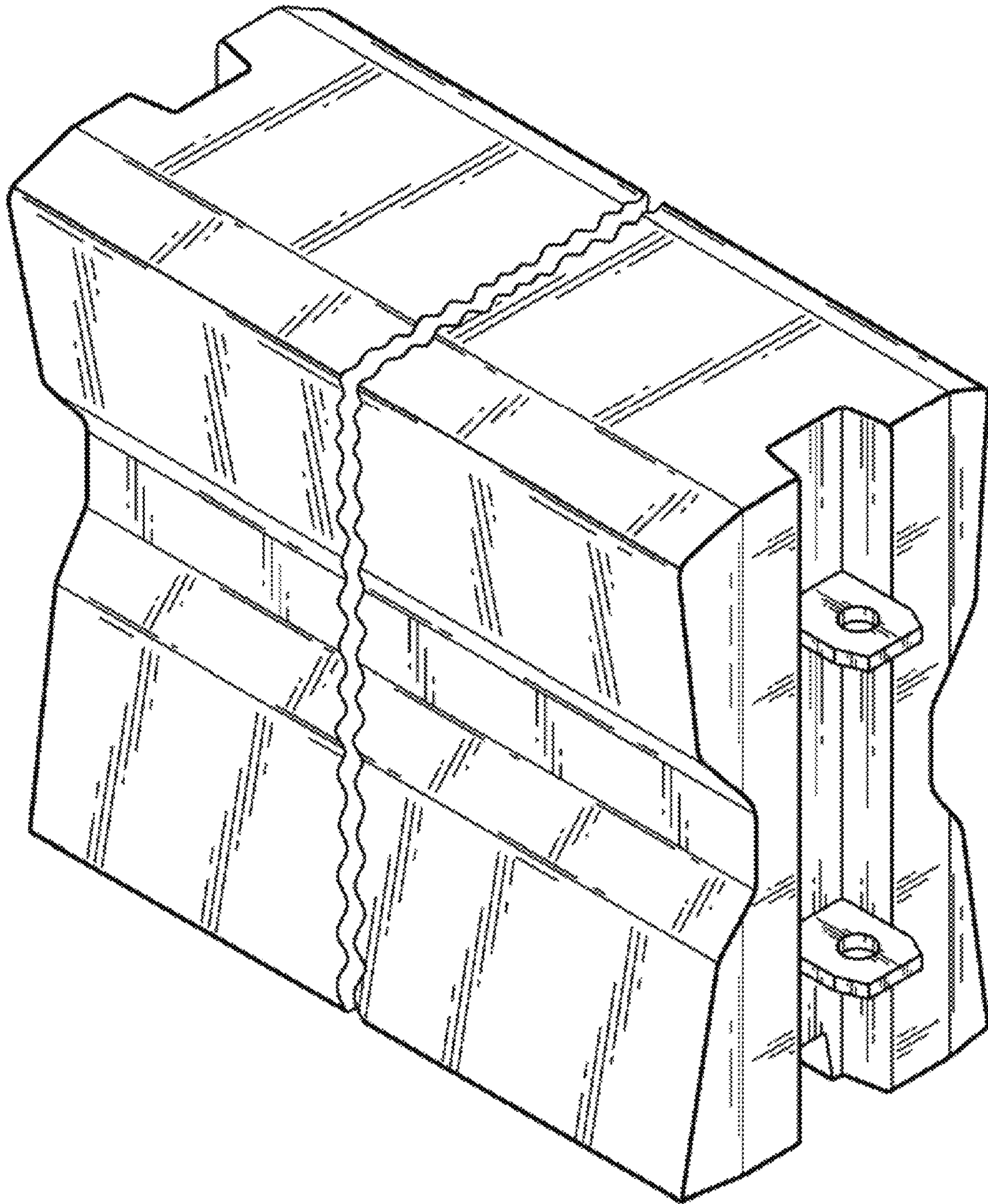
1.6



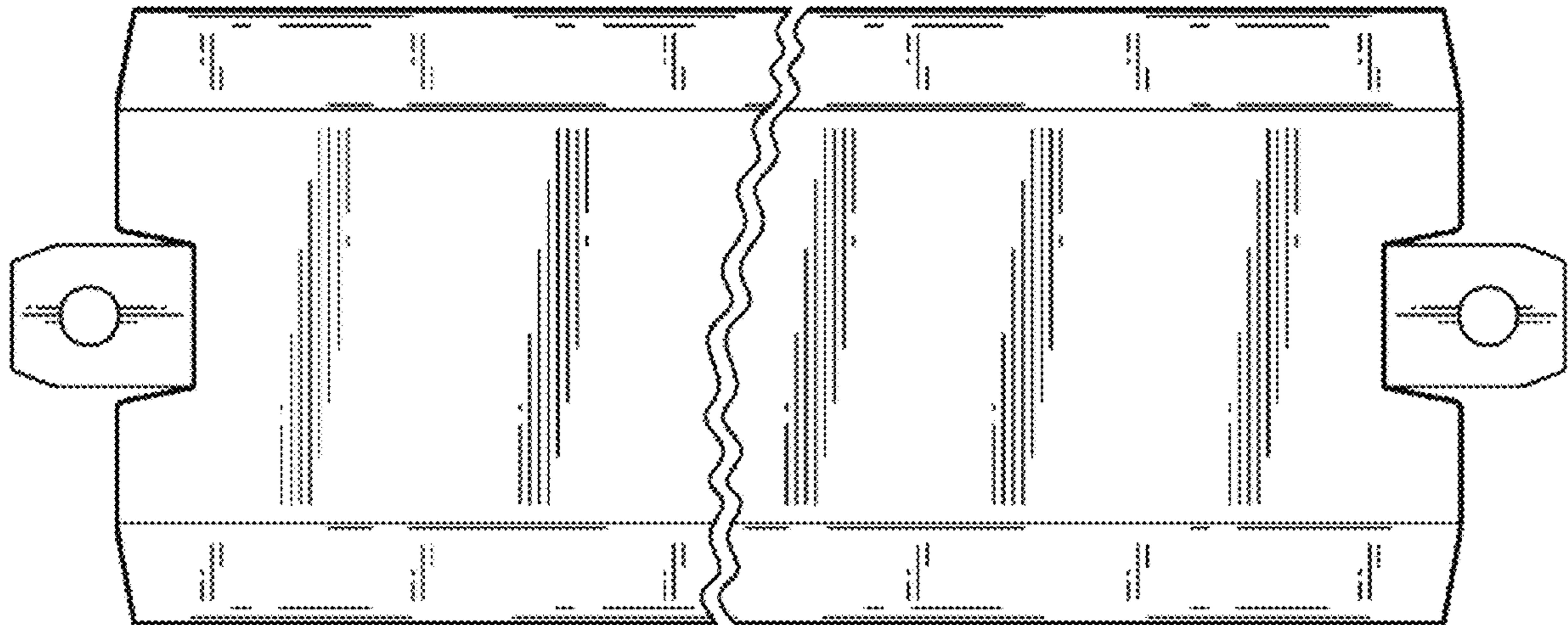
1.7



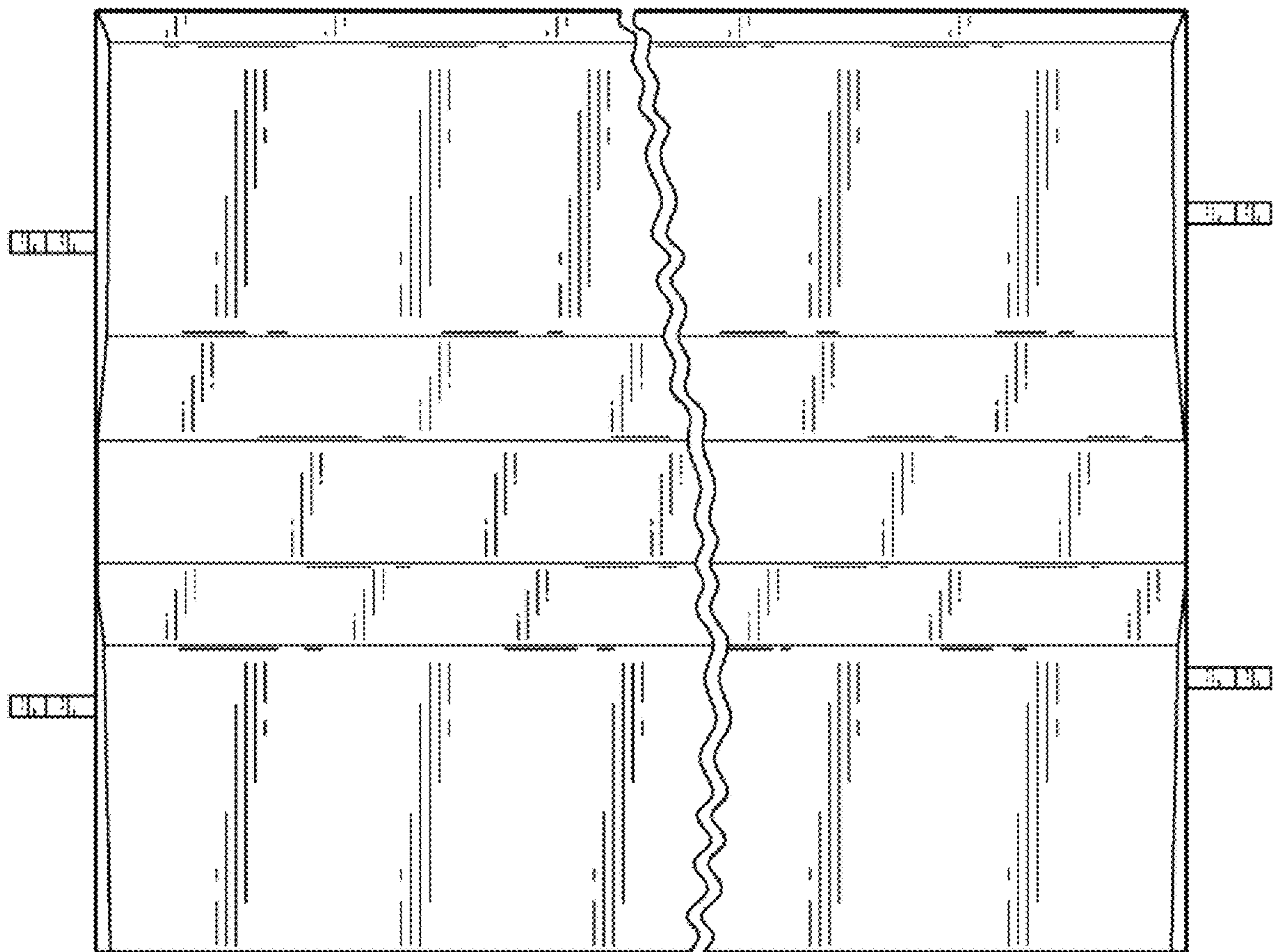
2.1



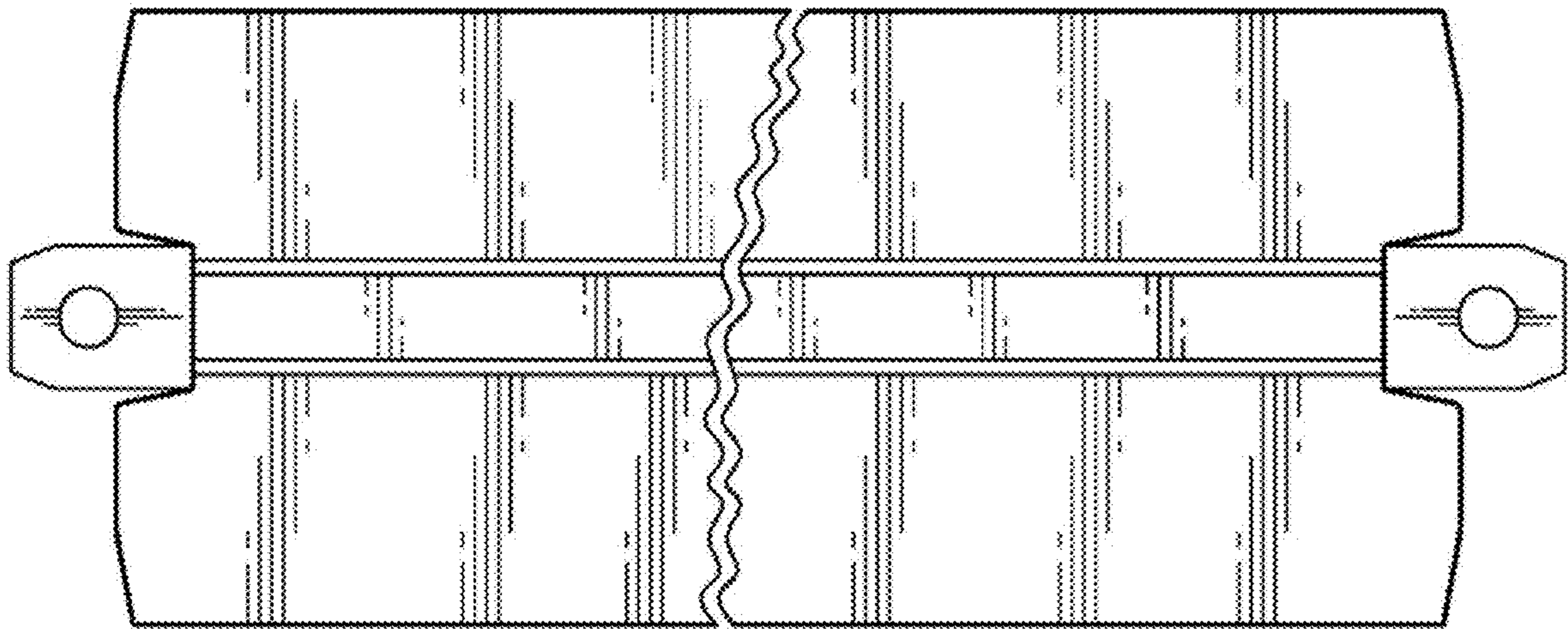
2.2



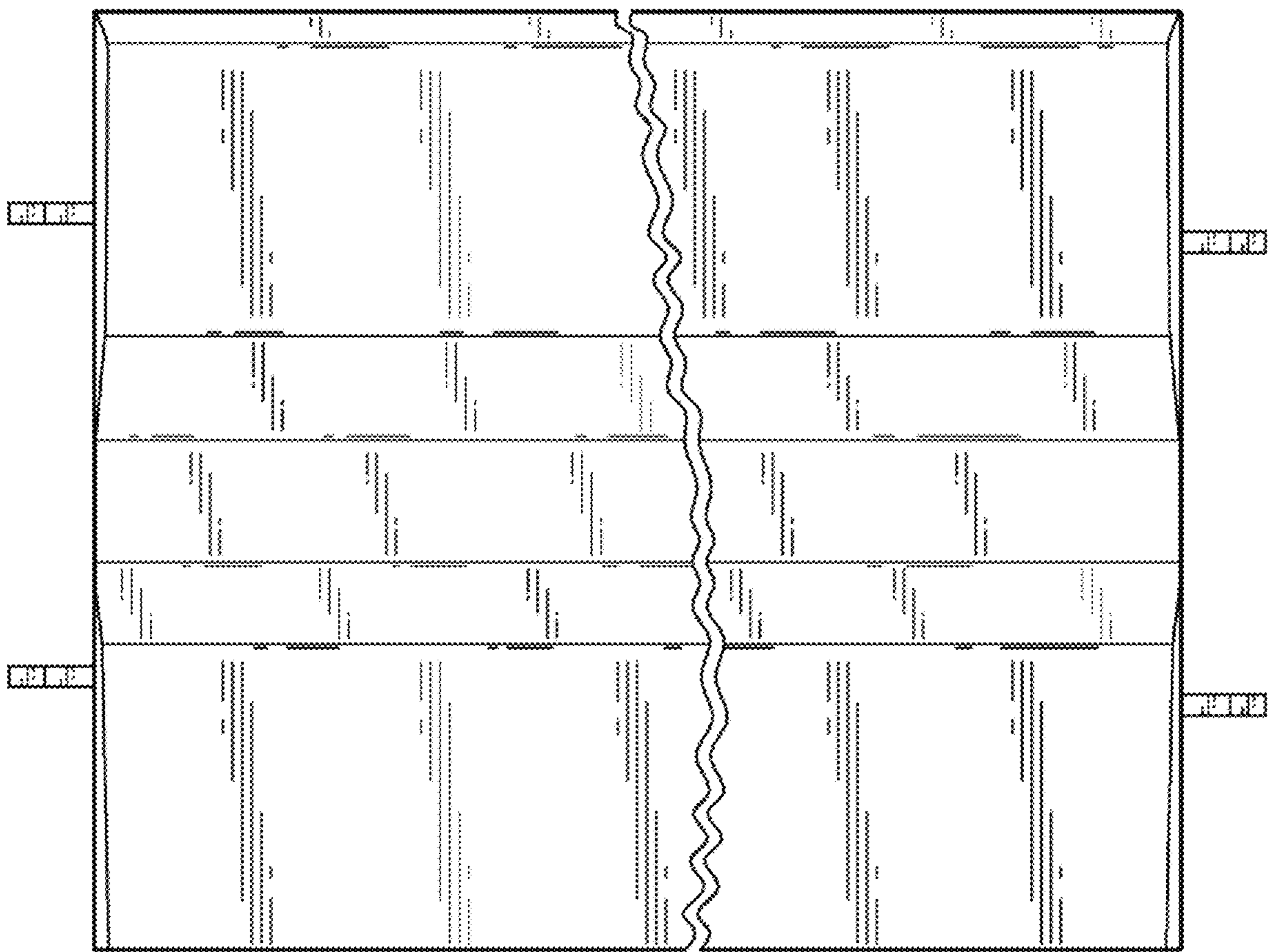
2.3



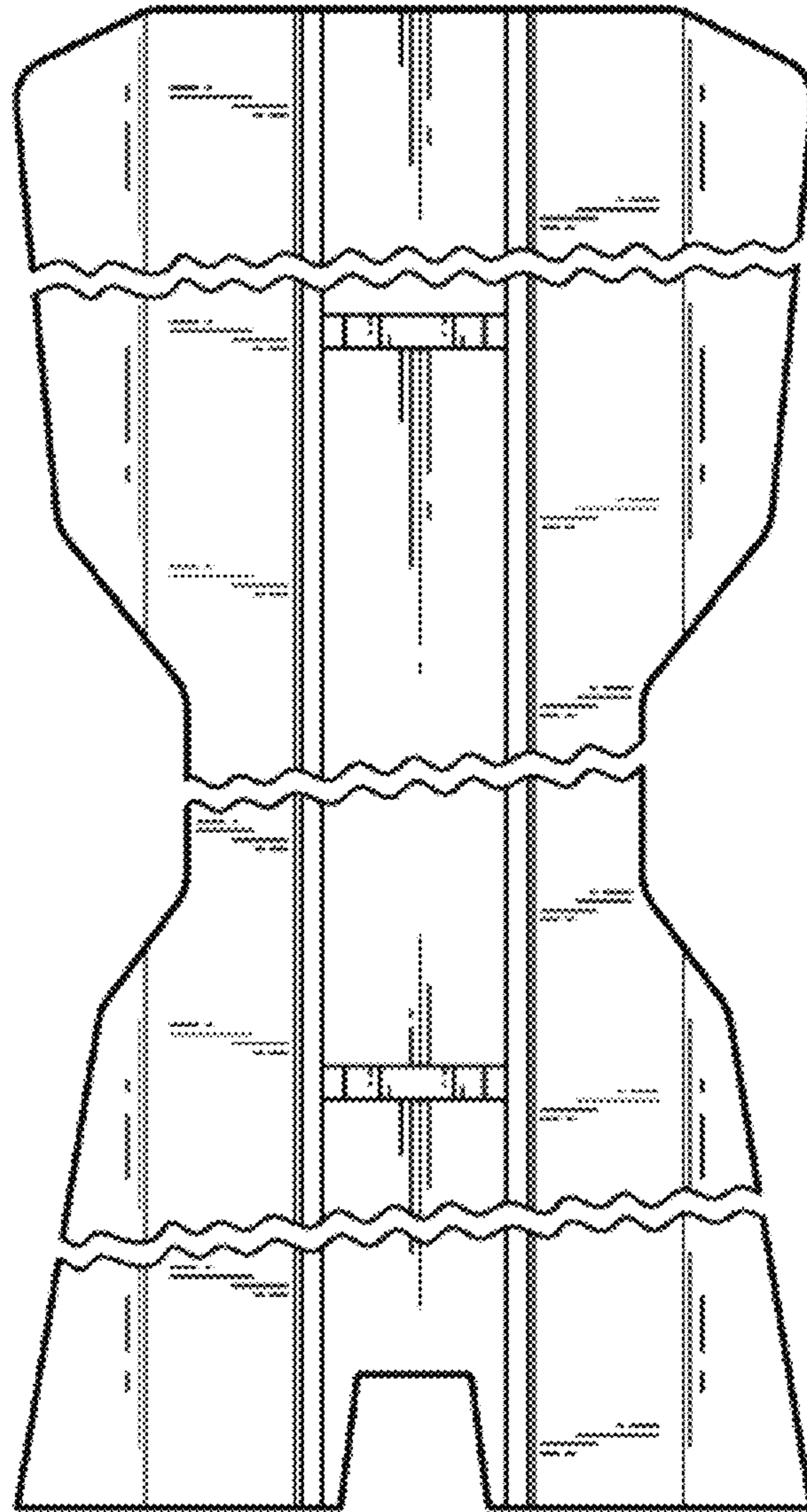
2.4



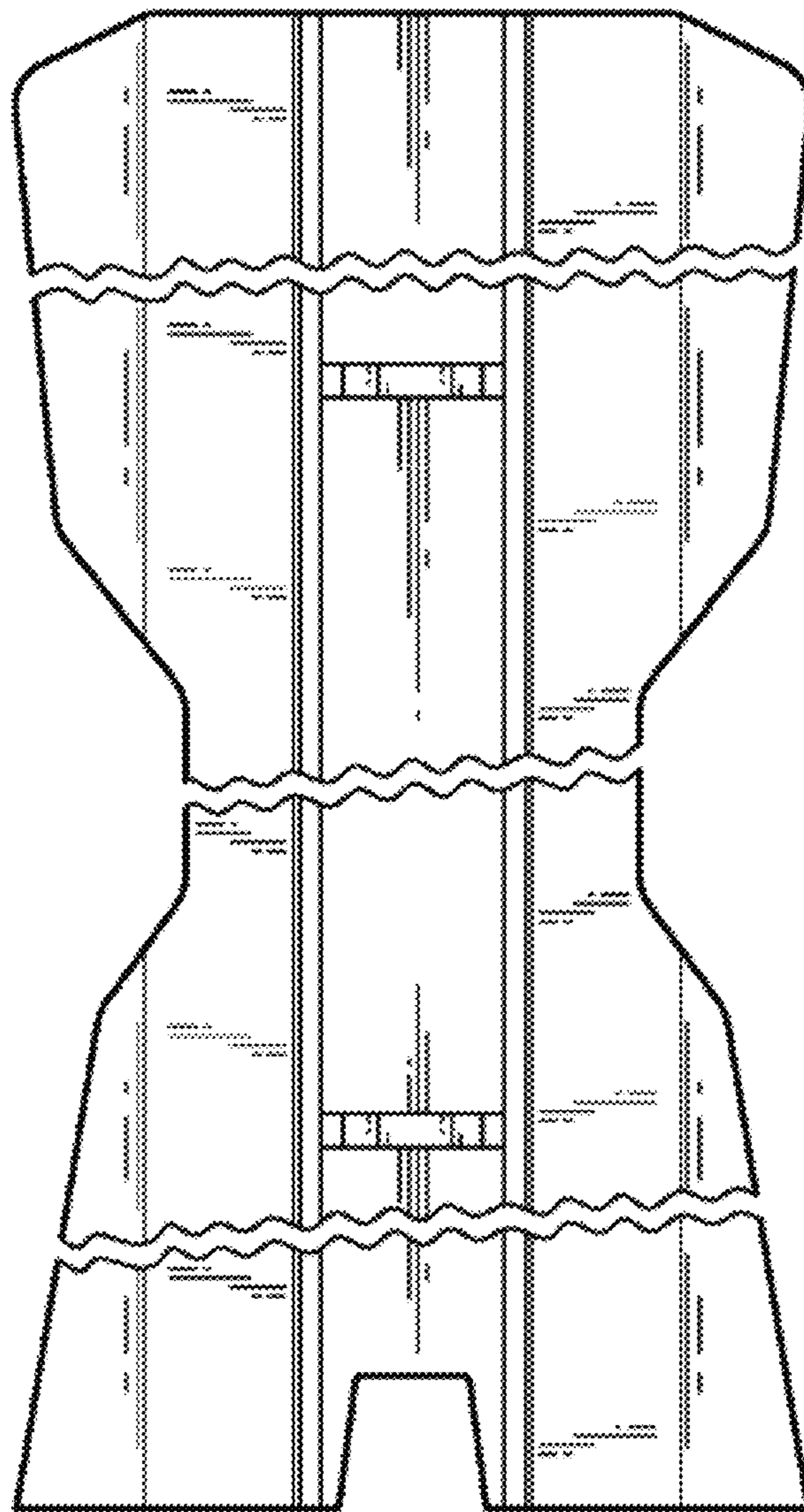
2.5



2.6



2.7



UNITED STATES PATENT AND TRADEMARK OFFICE
CERTIFICATE OF CORRECTION

PATENT NO. : D917,323 S
APPLICATION NO. : 35/001670
DATED : April 27, 2021
INVENTOR(S) : Ghuman et al.

Page 1 of 1

It is certified that error appears in the above-identified patent and that said Letters Patent is hereby corrected as shown below:

On the Title Page

Correction of State (Country) designations for the following:

(71) Applicant: Vandorf MB1 Inc., Stouffville, ON (CANADA)

(72) Inventors: Mohammad Ghuman, Oakville, ON (CANADA);
Benjamin Powell, King City, ON (CANADA);

(73) Assignee: Vandorf MB1 Inc., Stouffville, ON (CANADA)

Signed and Sealed this
Twentieth Day of July, 2021



Drew Hirshfeld
*Performing the Functions and Duties of the
Under Secretary of Commerce for Intellectual Property and
Director of the United States Patent and Trademark Office*