



US00D917320S

(12) **United States Design Patent** (10) **Patent No.:** **US D917,320 S**
Shao (45) **Date of Patent:** **** Apr. 27, 2021**

(54) **LASER TAPE MEASURE**

(56) **References Cited**

(71) Applicant: **Shenzhen Aukeyhi Technology co., Ltd.**, Shenzhen (CN)

U.S. PATENT DOCUMENTS

(72) Inventor: **Zelong Shao**, Shenzhen (CN)

D764,325 S * 8/2016 Mathews, Jr. D10/72
D856,175 S * 8/2019 Anderson D10/72

(**) Term: **15 Years**

* cited by examiner

(21) Appl. No.: **29/691,046**

Primary Examiner — Antoine Duval Davis

(22) Filed: **May 14, 2019**

(57) **CLAIM**

The ornamental design for a laser tape measure, as shown and described.

(51) **LOC (13) Cl.** **10-04**

DESCRIPTION

(52) **U.S. Cl.**

USPC **D10/72**

(58) **Field of Classification Search**

USPC D10/72, 74

CPC G01B 3/10; G01B 3/1002; G01B 3/1041;
G01B 2003/1043; G01B 2003/1046;
G01B 2003/1048; G01B 2003/1051;
G01B 2003/1053-1097; G01B 3/1082;
G01B 3/1056; G01B 3/563; G01B 3/566;
G01B 3/1071; G01B 2003/1089; G01B
2003/1092; G01B 2003/1079; G01B
2003/1041; G01B 2003/1084; G07B 3/10

FIG. 1 is a front view of a laser tape measure showing my design;

FIG. 2 is a back view thereof;

FIG. 3 is a left side view thereof;

FIG. 4 is a right side view thereof;

FIG. 5 is a top view thereof;

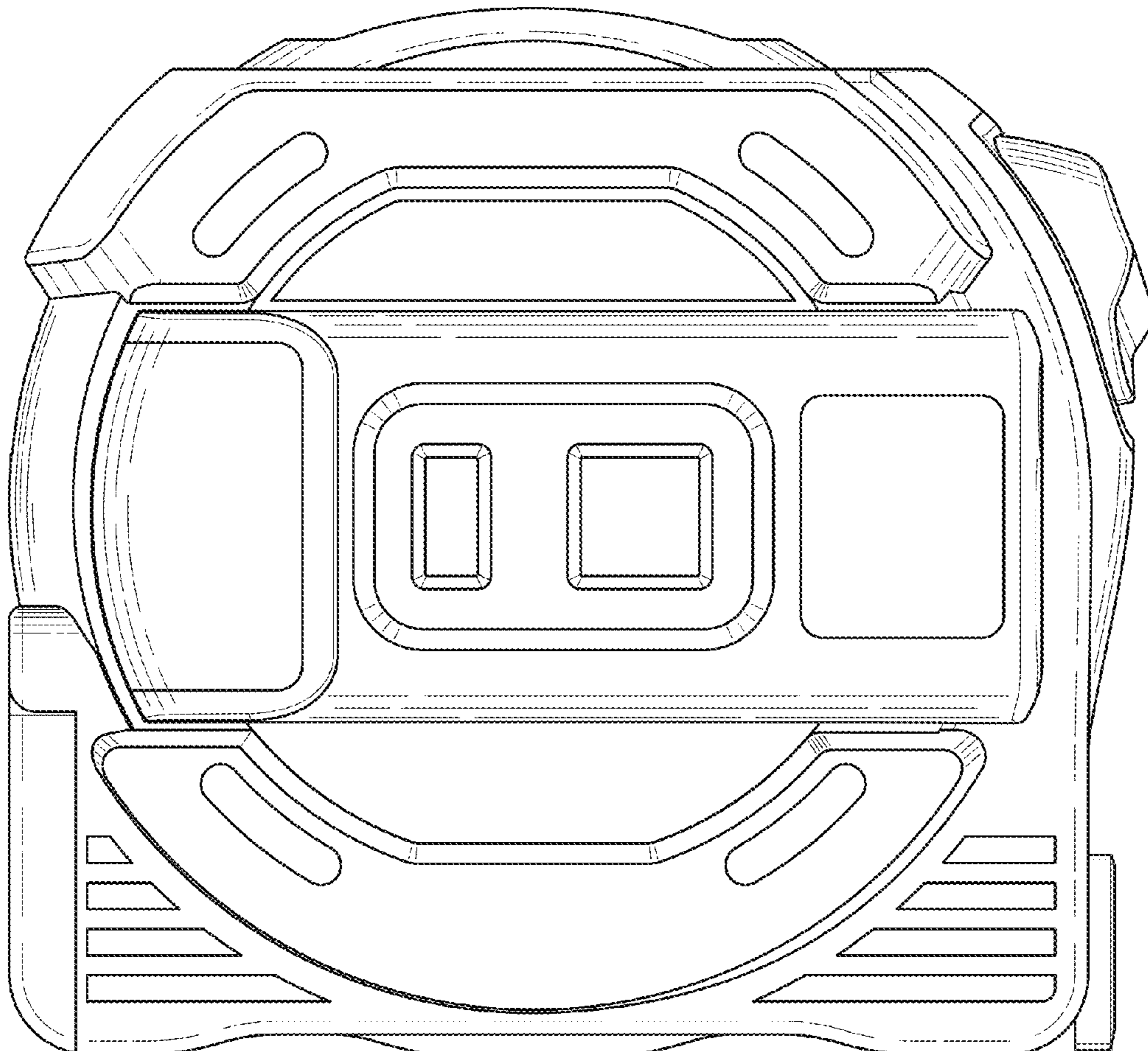
FIG. 6 is a bottom view thereof; and,

FIG. 7 is a perspective view thereof.

The broken lines shown in the drawings depict portions of the laser tape measure in which the design is embodied that form no part of the claimed design.

See application file for complete search history.

1 Claim, 7 Drawing Sheets



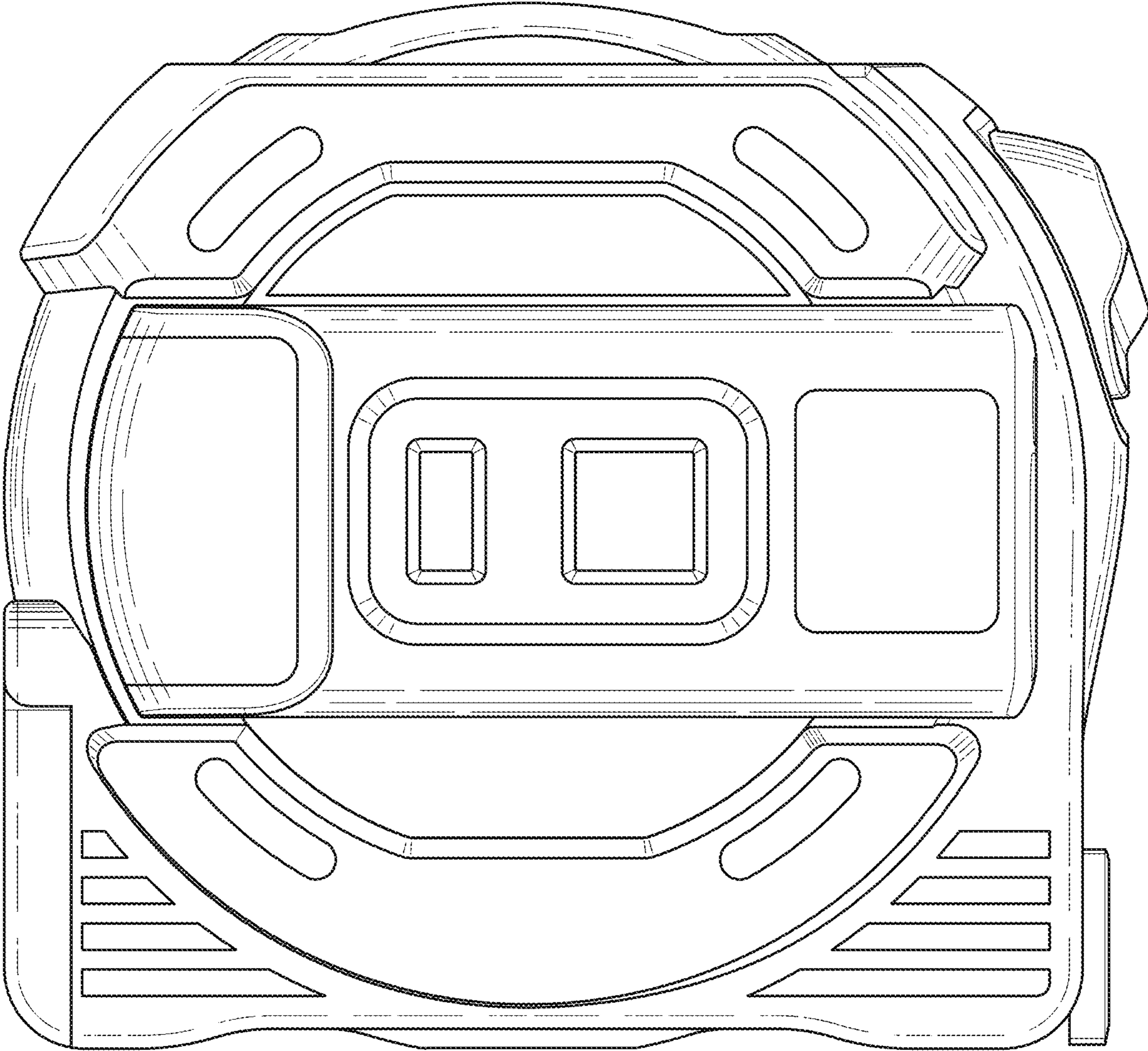


FIG. 1

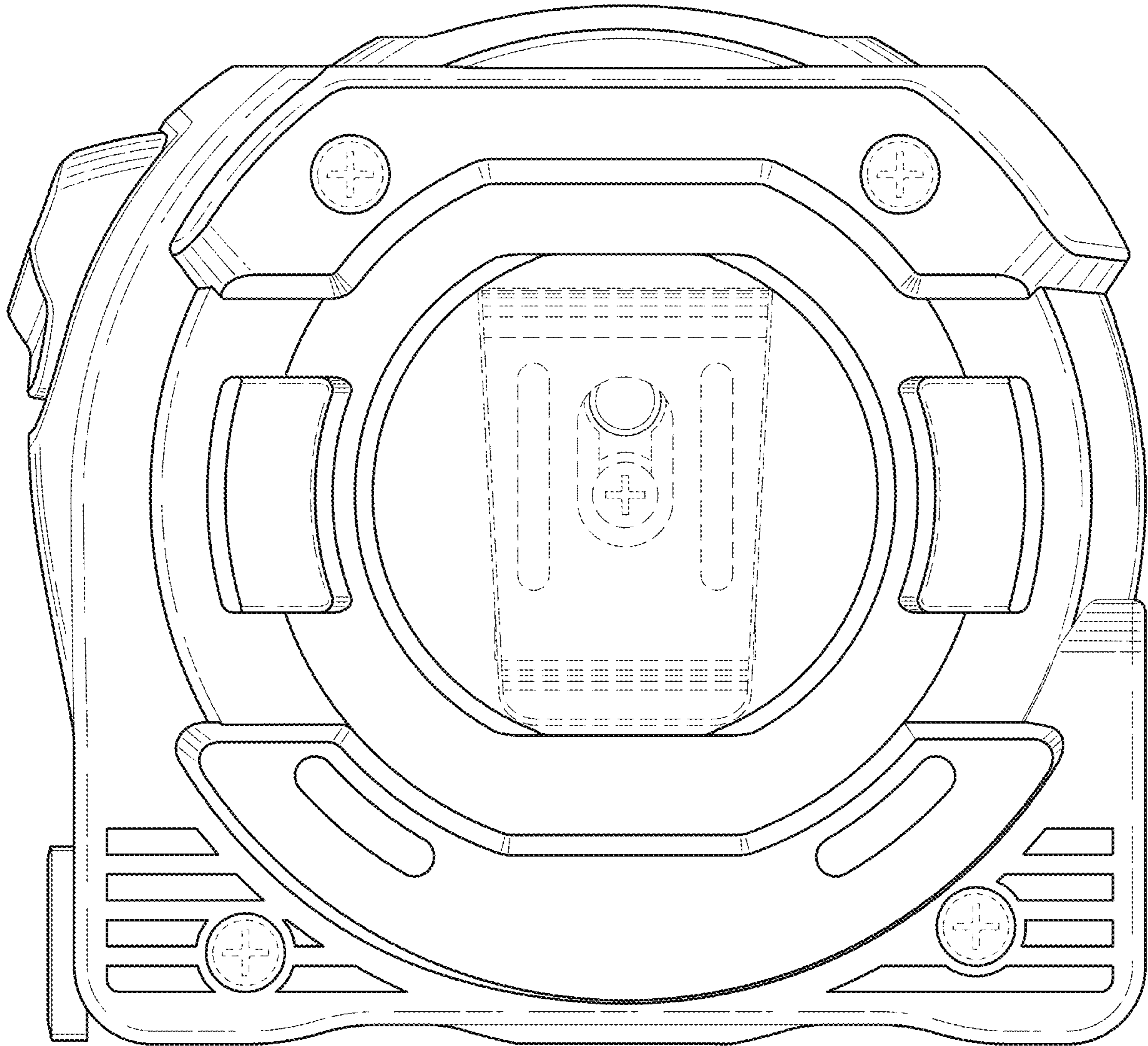


FIG. 2

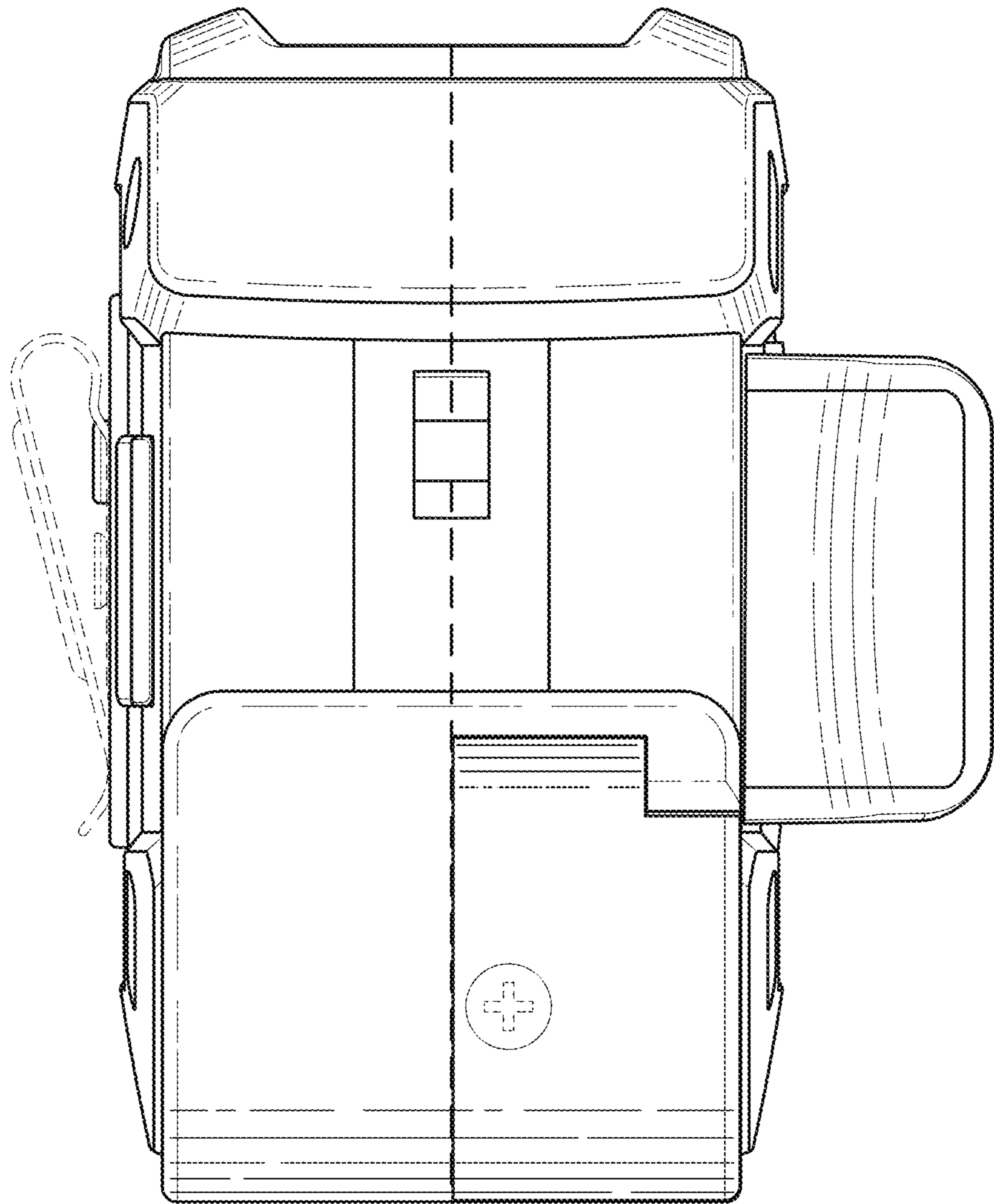


FIG. 3

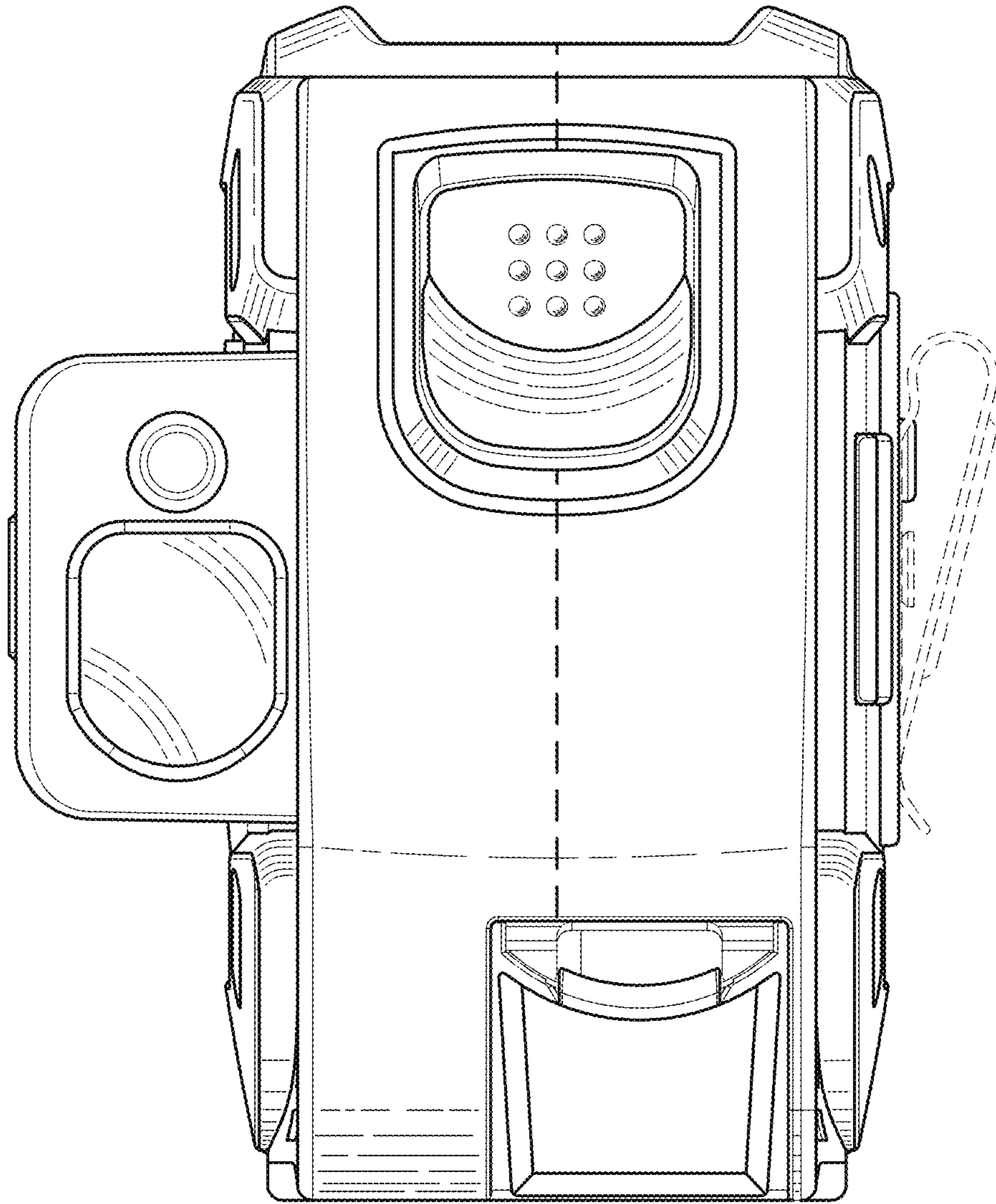


FIG.4

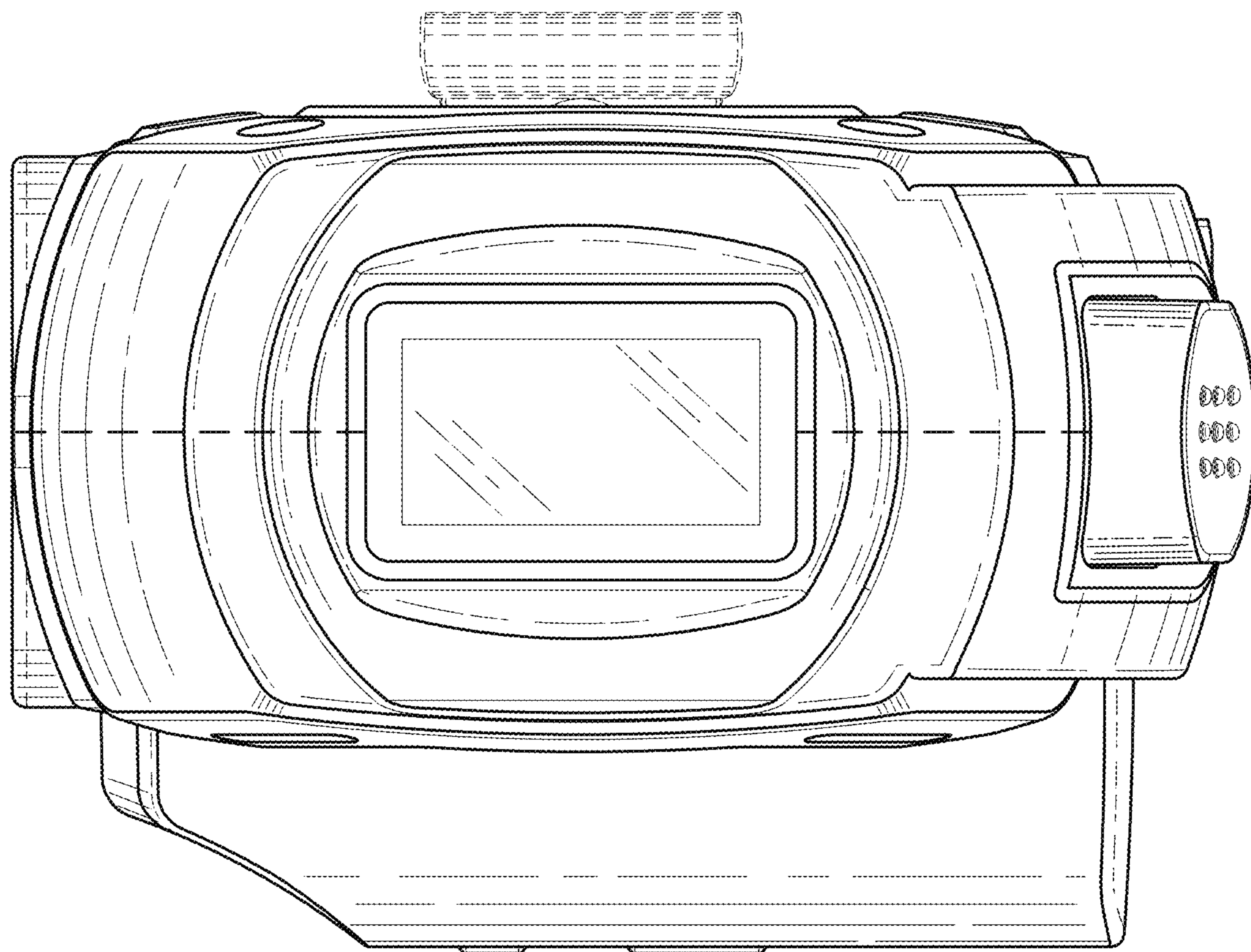


FIG. 5

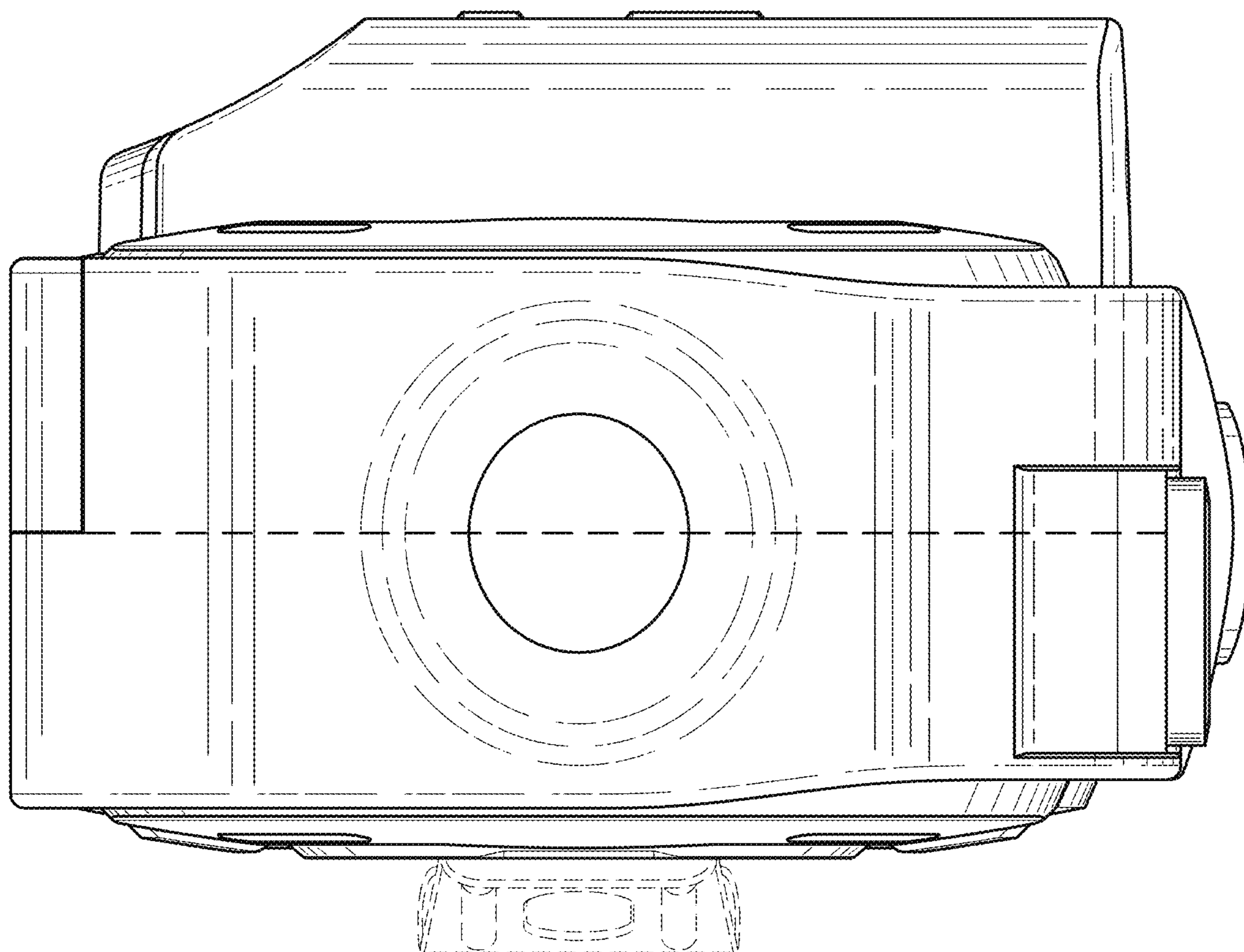


FIG. 6

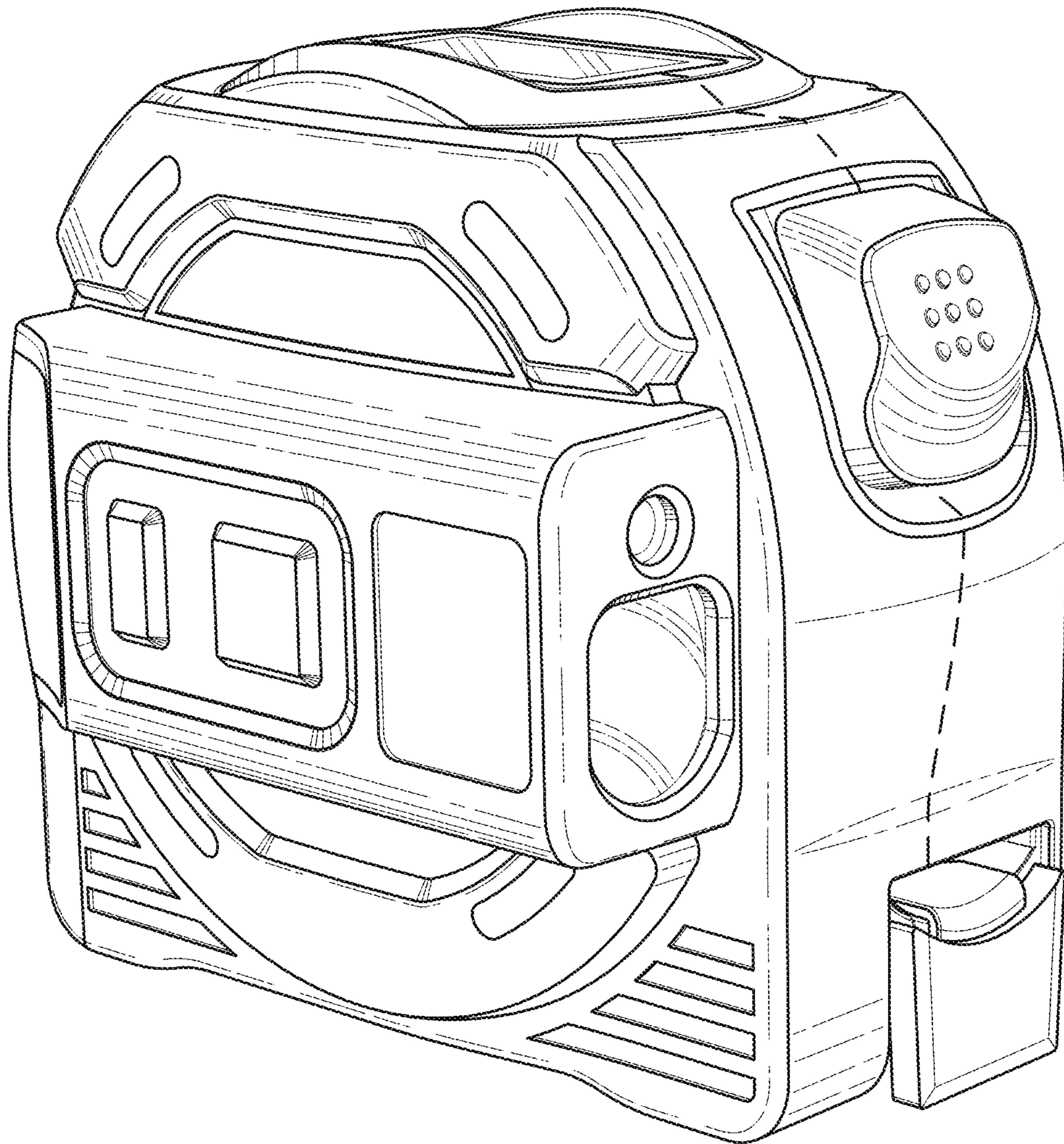


FIG. 7