



US00D917319S

(12) **United States Design Patent**  
**Zheng et al.**

(10) **Patent No.:** **US D917,319 S**  
(45) **Date of Patent:** **\*\* Apr. 27, 2021**

(54) **DISTANCE MEASURING APPARATUS**

(71) Applicant: **Aukey Technology Co., Ltd**, Shenzhen (CN)

(72) Inventors: **Huahui Zheng**, Shenzhen (CN); **Bo Du**, Shenzhen (CN); **Huiyue Ze**, Shenzhen (CN)

(73) Assignee: **Aukey Technology Co., Ltd**, Shenzhen (CN)

(\*\*) Term: **15 Years**

(21) Appl. No.: **29/722,992**

(22) Filed: **Feb. 4, 2020**

(51) **LOC (13) Cl.** ..... **10-04**

(52) **U.S. Cl.**  
USPC ..... **D10/70; D10/69**

(58) **Field of Classification Search**  
USPC ..... D10/46, 61, 70-80, 52, 53, 65, 69;  
33/701, 771, 751, 767, 762, 755, 758,  
33/761, 700, 285, 703, 756

CPC ..... A63B 67/068; G01B 3/1005; G01B 2003/1012; G01B 3/1003; G01B 3/10; G01B 3/07; G01B 11/26; G01B 2003/1058; G01B 3/1041; G01B 3/1069; G01B 3/102; G01B 1/00; G01B 2003/1097; G01B 3/11; G01B 3/1061; G01B 2003/1069; G01B 13/02; H04Q 9/00; G08B 3/00; G01D 18/008; G01K 15/005; H04L 67/303; H04L 67/12; G05B 19/0426; G05B 2219/25428; G01R 13/02; G01R 1/025; G01R 15/125; G01R 1/04; G01R 22/065; G01R 11/00; G01R 11/04; G08C 17/02; H04B 10/114;

(Continued)

(56) **References Cited**

**U.S. PATENT DOCUMENTS**

D523,363 S \* 6/2006 Wu ..... D10/69  
D526,587 S \* 8/2006 Lopano ..... G01C 15/004  
D10/66

(Continued)

**FOREIGN PATENT DOCUMENTS**

CN 304825117 \* 4/2018  
CN 305315887 \* 4/2019

(Continued)

**OTHER PUBLICATIONS**

Huepar Store, Self-leveling Laser Level—Huepar Box-1G 150ft/45m, Date first available Apr. 20, 2018, [online]retrieved Jan. 26, 2021, available from internet, [https://www.amazon.com/dp/B0793M6Z37/ref=sspa\\_dk\\_detail\\_3?psc=1&pd\\_rd\\_i=B0793M6Z37&pd\\_rd\\_w=O5BrE&pf\\_rd\\_p=811154a9-44b1-49f2-9177-84495098de64](https://www.amazon.com/dp/B0793M6Z37/ref=sspa_dk_detail_3?psc=1&pd_rd_i=B0793M6Z37&pd_rd_w=O5BrE&pf_rd_p=811154a9-44b1-49f2-9177-84495098de64) (Year: 2018).\*

(Continued)

*Primary Examiner* — Keli L Hill

*Assistant Examiner* — Sara S Sahneh

(74) *Attorney, Agent, or Firm* — Westbridge IP LLC

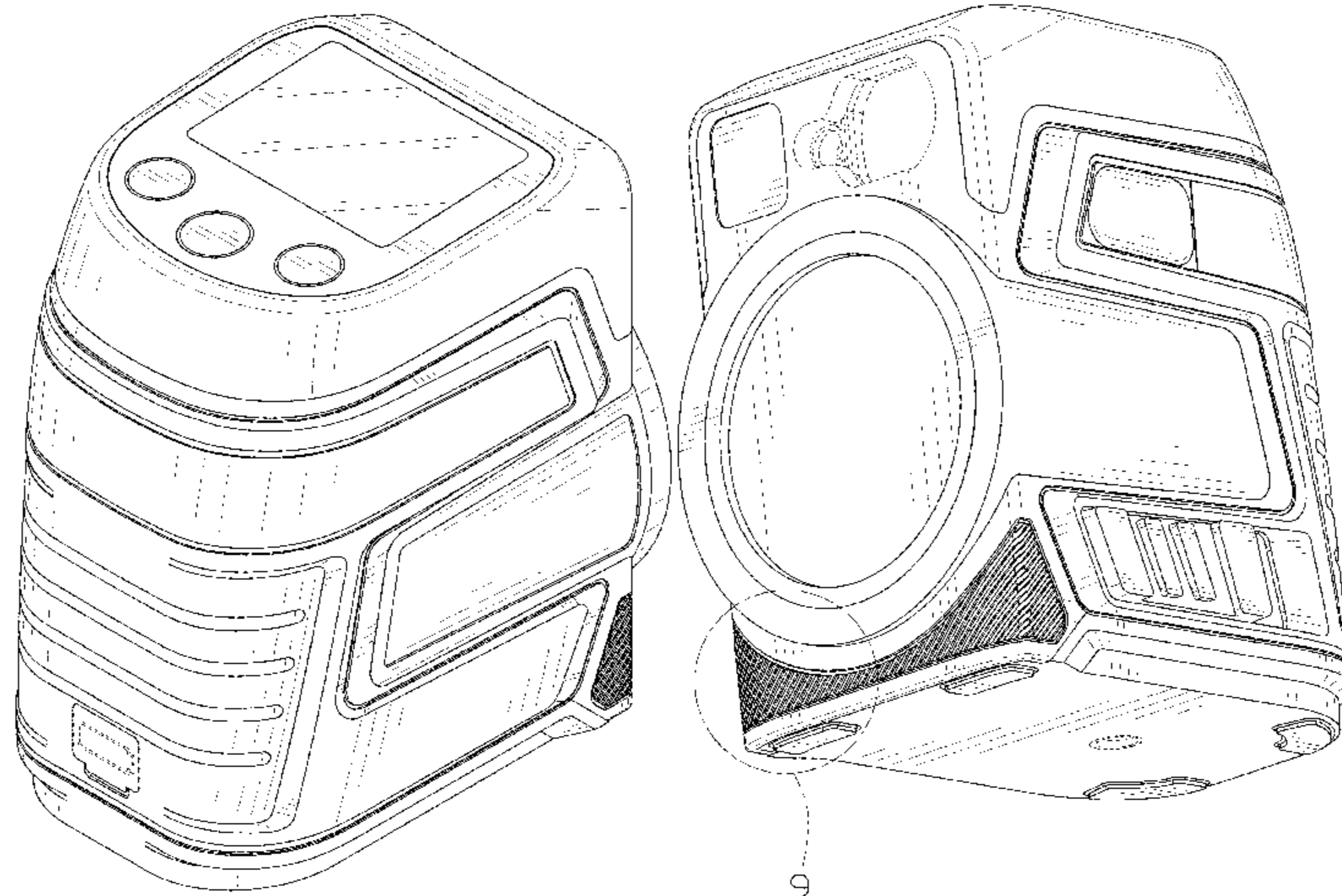
(57) **CLAIM**

The ornamental design for a distance measuring apparatus, as shown and described.

**DESCRIPTION**

FIG. 1 is a front perspective view of a distance measuring apparatus showing our new design; FIG. 2 is a rear perspective view thereof; FIG. 3 is a front elevational view thereof; FIG. 4 is a rear elevational view thereof; FIG. 5 is a left side view thereof; FIG. 6 is a right side view thereof; FIG. 7 is a top plan view thereof; FIG. 8 is a bottom plan view thereof; and, FIG. 9 is an enlarged view of portion 9 of FIG. 2. The broken lines in the drawings illustrate the portions of the distance measuring apparatus which form no part of the claimed design.

**1 Claim, 9 Drawing Sheets**



(58) **Field of Classification Search**

CPC ..... H04B 10/11; G01C 15/004; G01C 15/00;  
 G01C 15/002; G01C 15/06; G02B 7/001;  
 Y10T 29/49826

See application file for complete search history.

FOREIGN PATENT DOCUMENTS

CN	305654019	*	9/2019
EM	005132669-0002	*	3/2018
EM	006583993-0001	*	6/2019
EM	007084637-0001	*	10/2019
KR	300988310.0000	*	4/2018

(56)

**References Cited**

U.S. PATENT DOCUMENTS

D683,378	S *	5/2013	Yokoi	.....	D16/132
D850,942	S *	6/2019	Corrigan	.....	D10/69
D881,043	S *	4/2020	Shao	.....	D10/69
D891,951	S *	8/2020	Woo	.....	D10/69
2004/0040170	A1 *	3/2004	Sanoner	.....	G01B 3/11 33/762
2014/0352161	A1 *	12/2014	Ranieri	.....	G01C 15/004 33/291
2017/0314921	A1 *	11/2017	Spaulding	.....	G01C 15/002
2019/0063921	A1 *	2/2019	George	.....	G01C 15/002
2019/0331488	A1 *	10/2019	Corrigan	.....	G01B 11/26
2020/0256657	A1 *	8/2020	Li	.....	G01B 3/102
2021/0010799	A1 *	1/2021	Becker	.....	G01C 15/002

OTHER PUBLICATIONS

OMMO, Laser Level, 12 Lines 3x360° Green Laser Level Self Leveling Tool, Date first available Dec. 27, 2019, [online] retrieved Jan. 26, 2021, available from internet, [https://www.amazon.com/dp/B0837MGZNY/ref=sspa\\_dk\\_detail\\_6?psc=1](https://www.amazon.com/dp/B0837MGZNY/ref=sspa_dk_detail_6?psc=1) (Year: 2019).\*

Skil Store, 65ft. Green Selfleveling Cross Line Laser Level with Projected Measuring Marks, Date first available Jun. 8, 2018, [online]retrieved Jan. 26, 2021, available from internet, [https://www.amazon.com/dp/B07DMK1NB8/ref=sspa\\_dk\\_detail\\_1?psc=1](https://www.amazon.com/dp/B07DMK1NB8/ref=sspa_dk_detail_1?psc=1) (Year : 2018).\*

DTAPE, Laser Tape Measure 2-in-1,laser measurement, Date first available Mar. 22, 2019, [online]retrieved Jan. 26, 2021, available from internet, [https://www.amazon.com/measurement-rechargeable-measuring-distance-waterproof/dp/B07PYSMMHT/ref=sr\\_1\\_46\\_sspa?dchild=1&keywords=laser+Measuring+Apparatus&qid](https://www.amazon.com/measurement-rechargeable-measuring-distance-waterproof/dp/B07PYSMMHT/ref=sr_1_46_sspa?dchild=1&keywords=laser+Measuring+Apparatus&qid) (Year: 2019).\*

\* cited by examiner

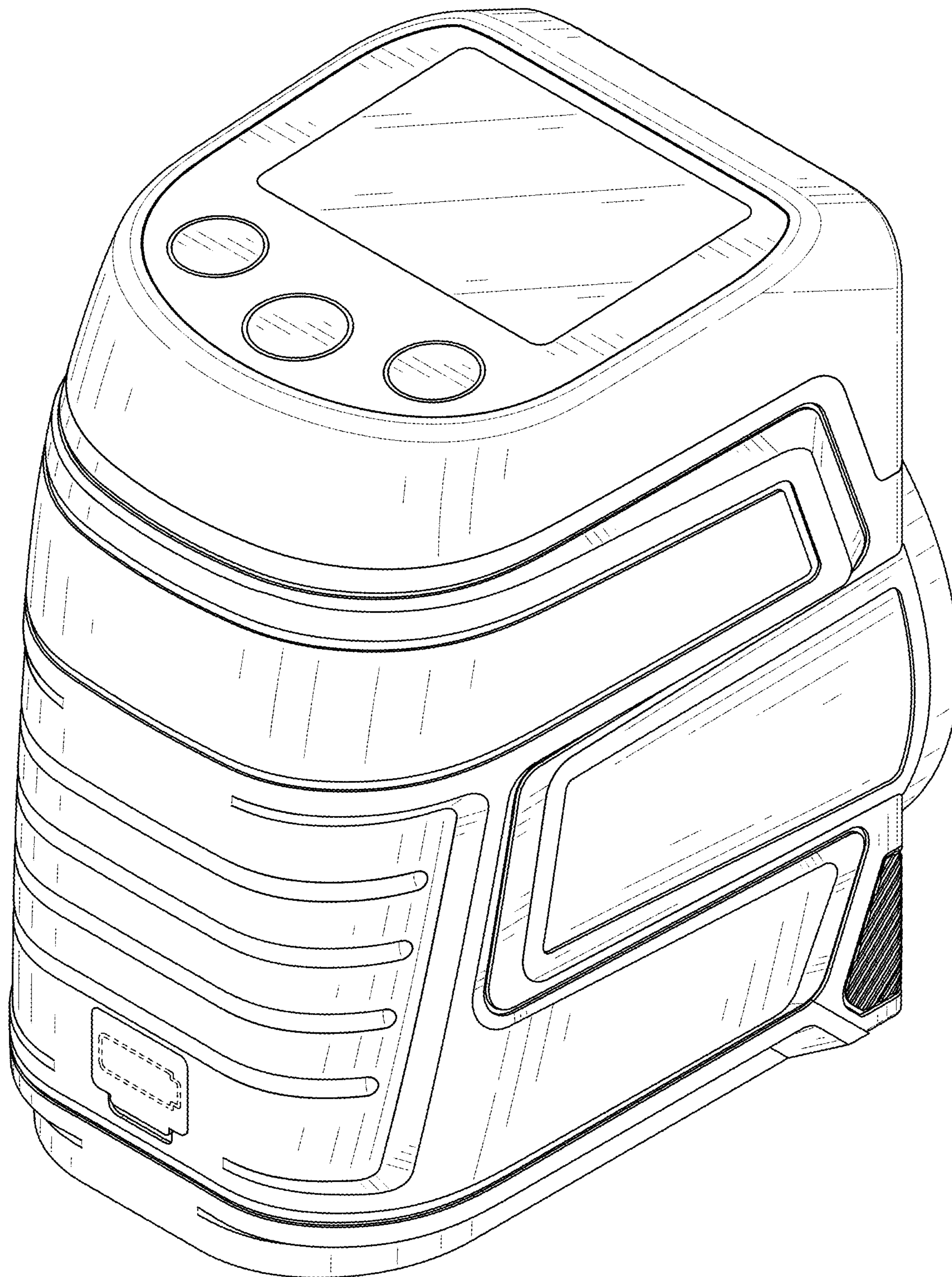


FIG. 1

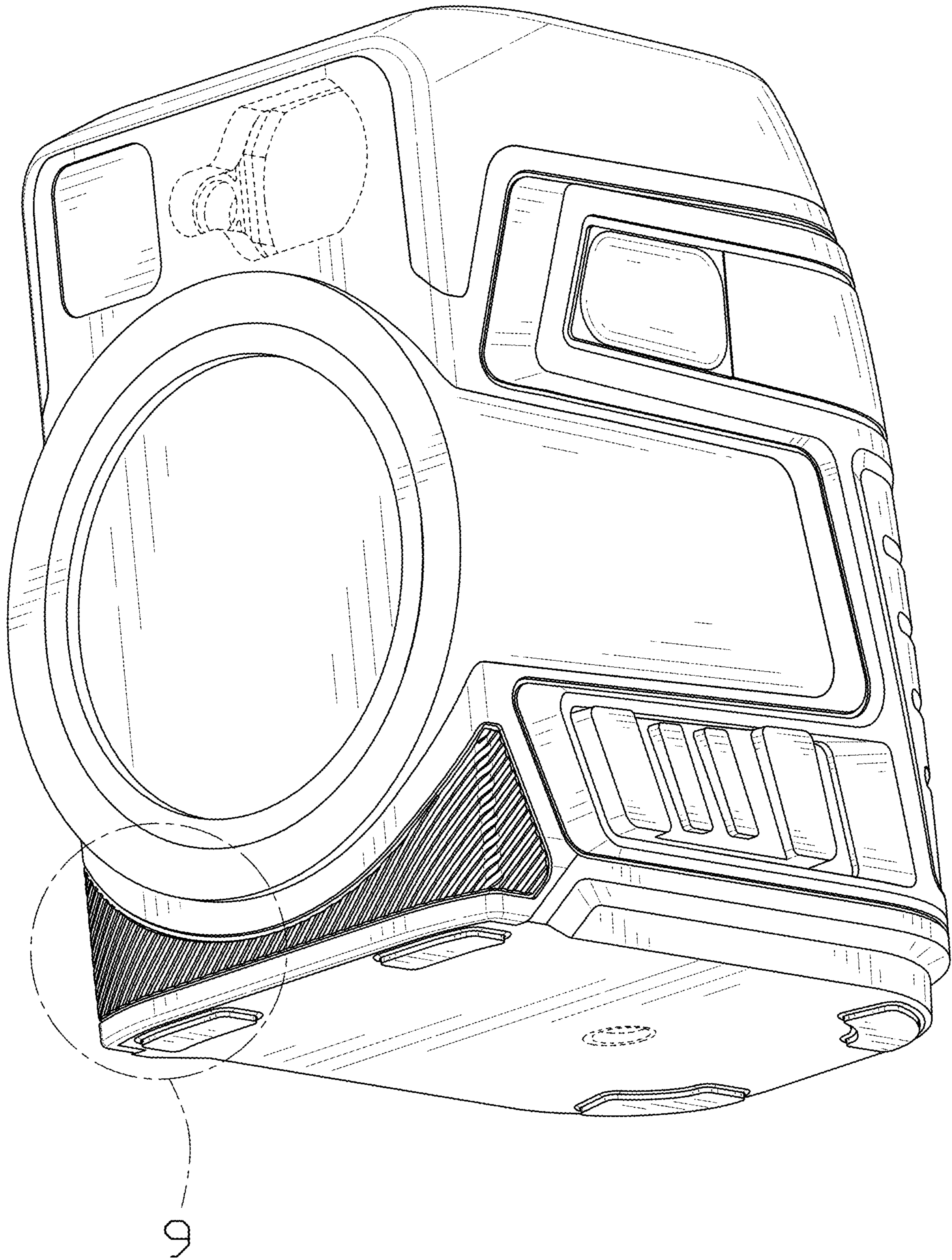


FIG. 2

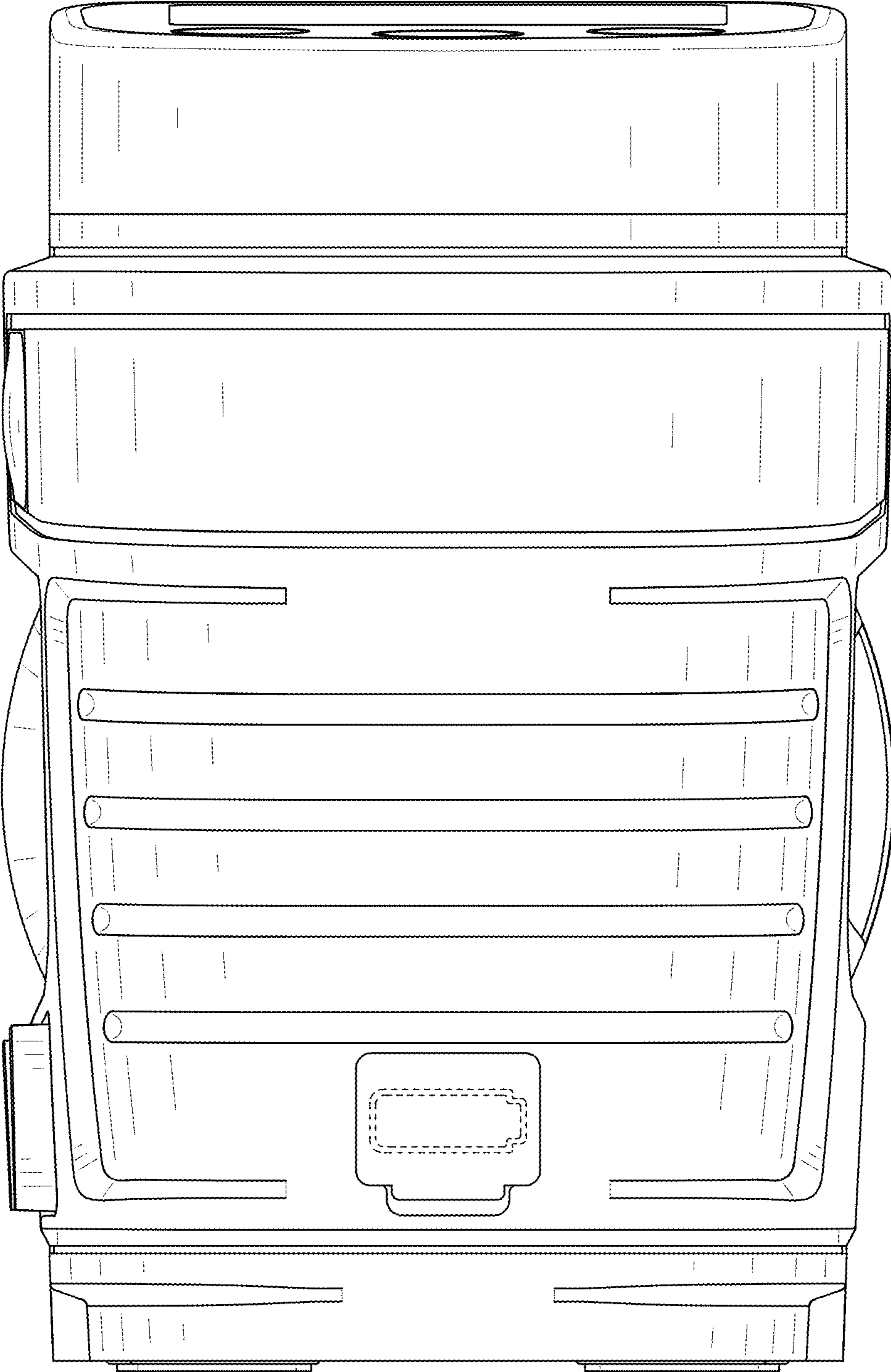


FIG. 3

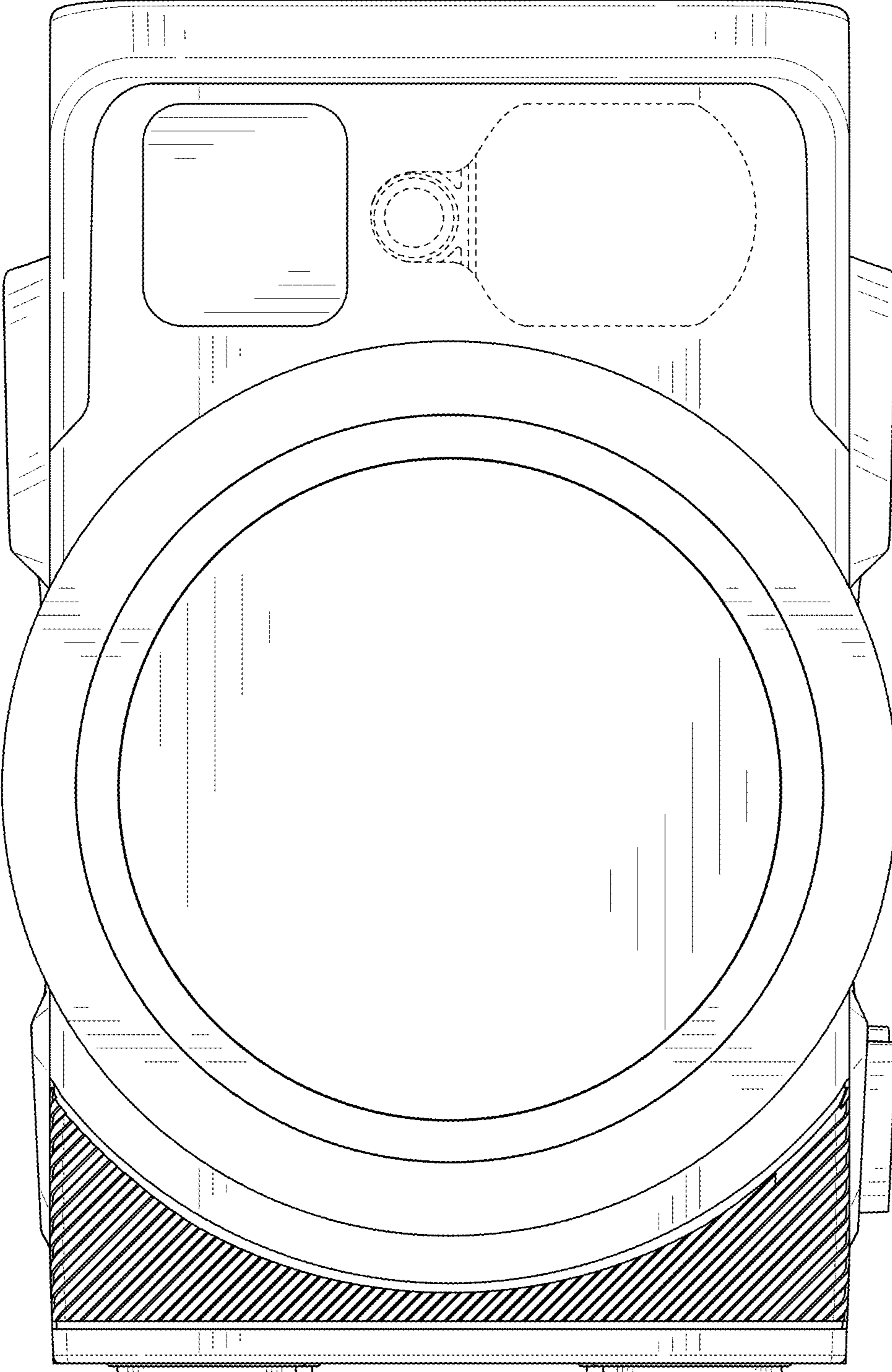


FIG. 4

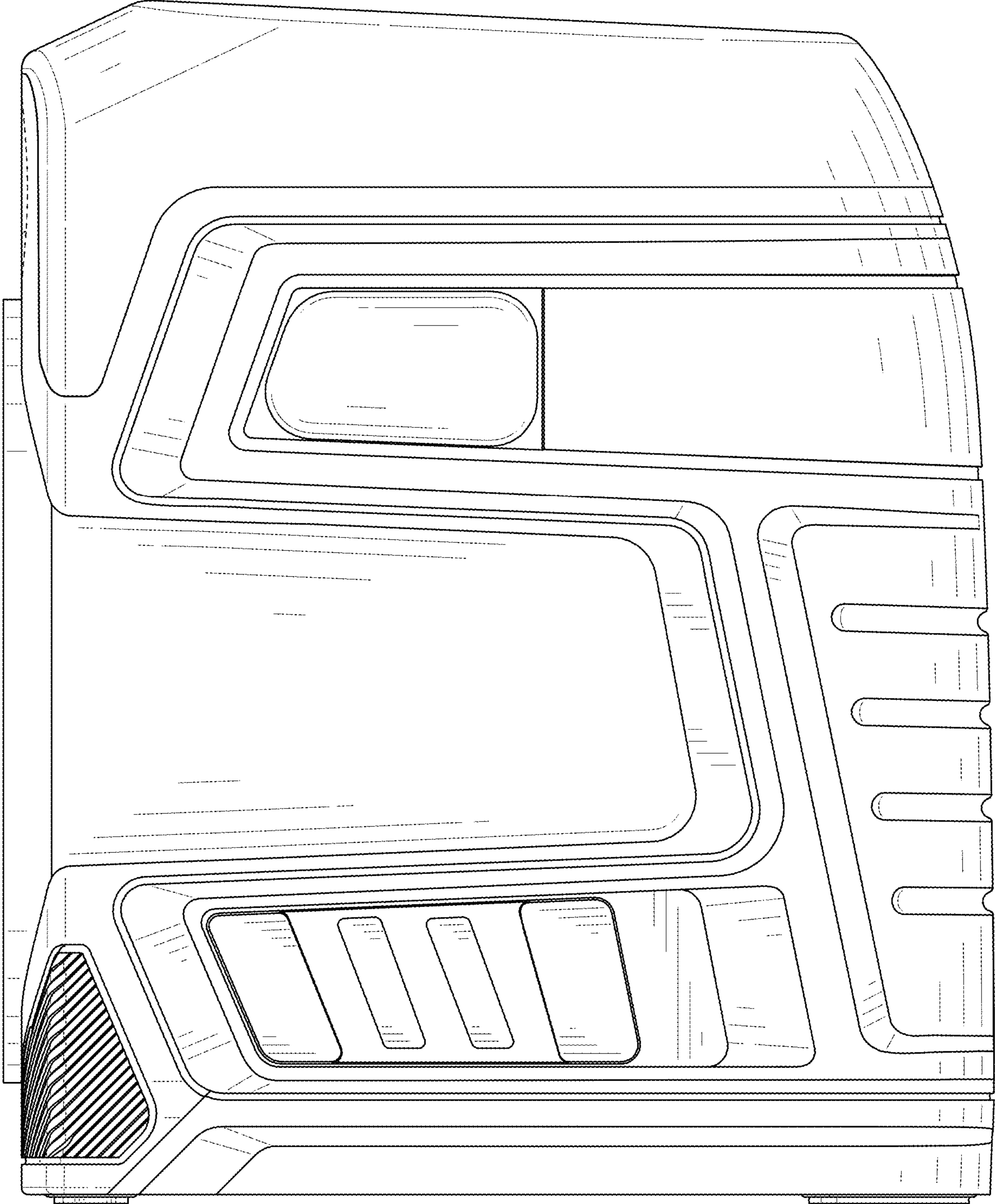


FIG. 5

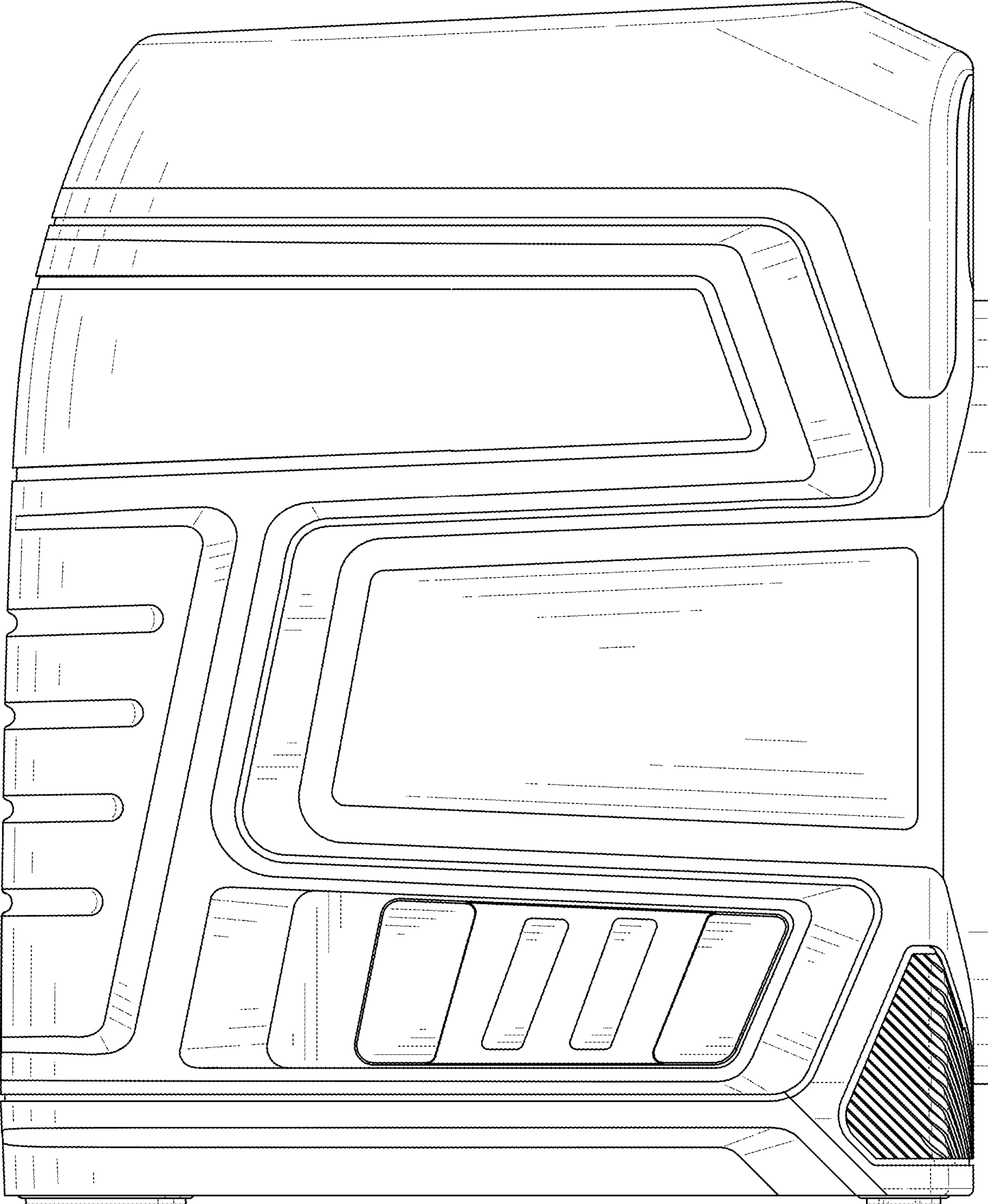


FIG. 6



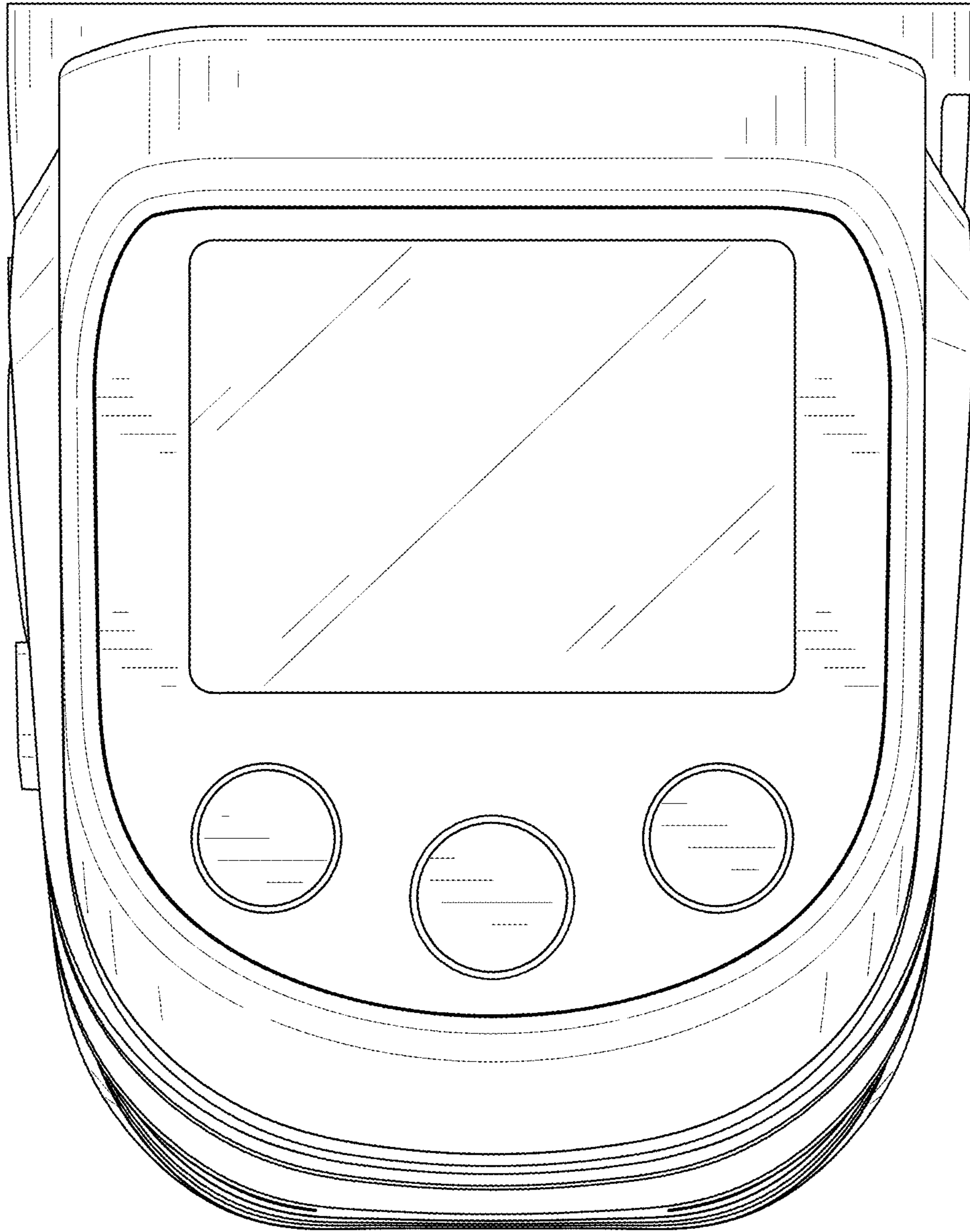


FIG. 7

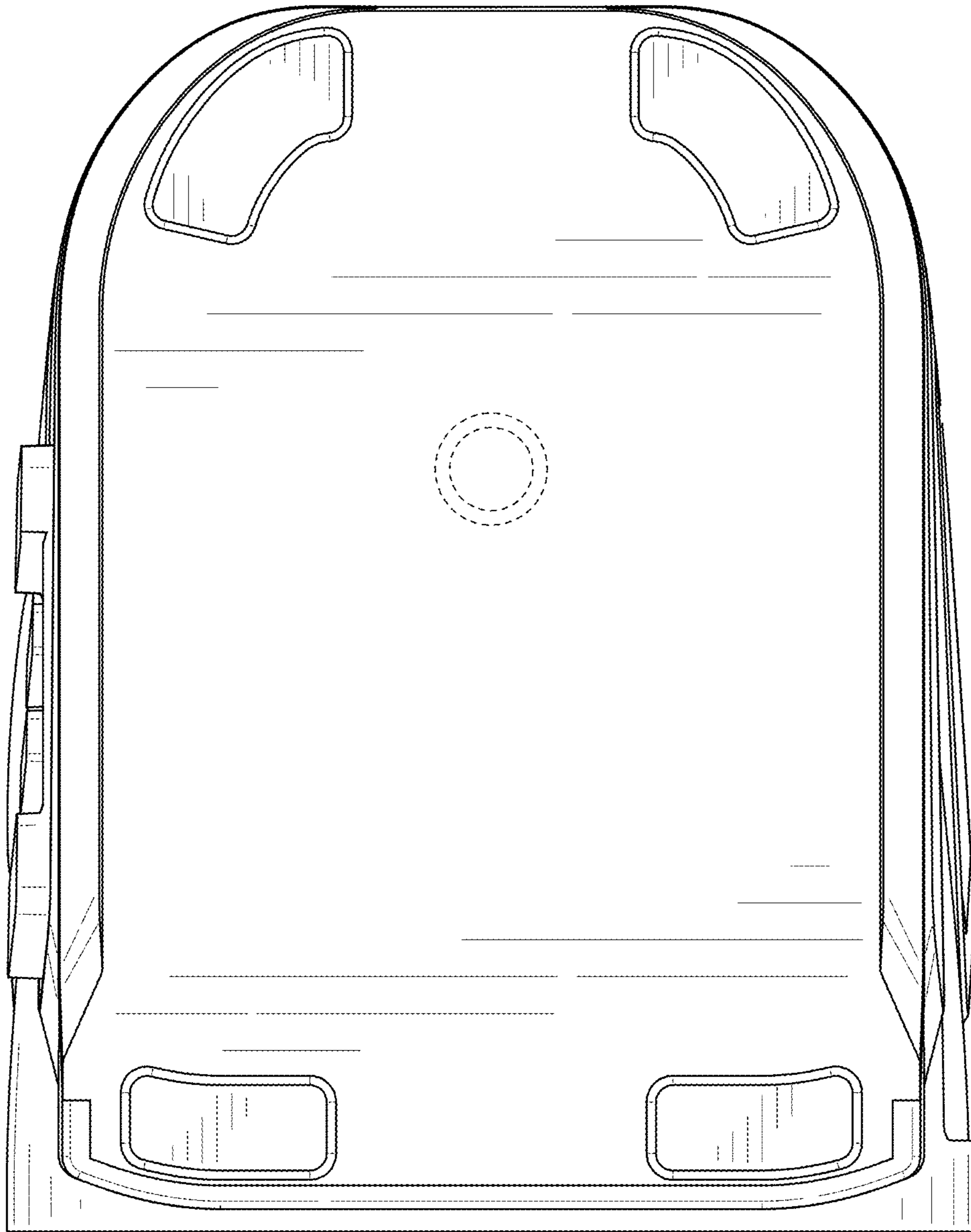


FIG. 8

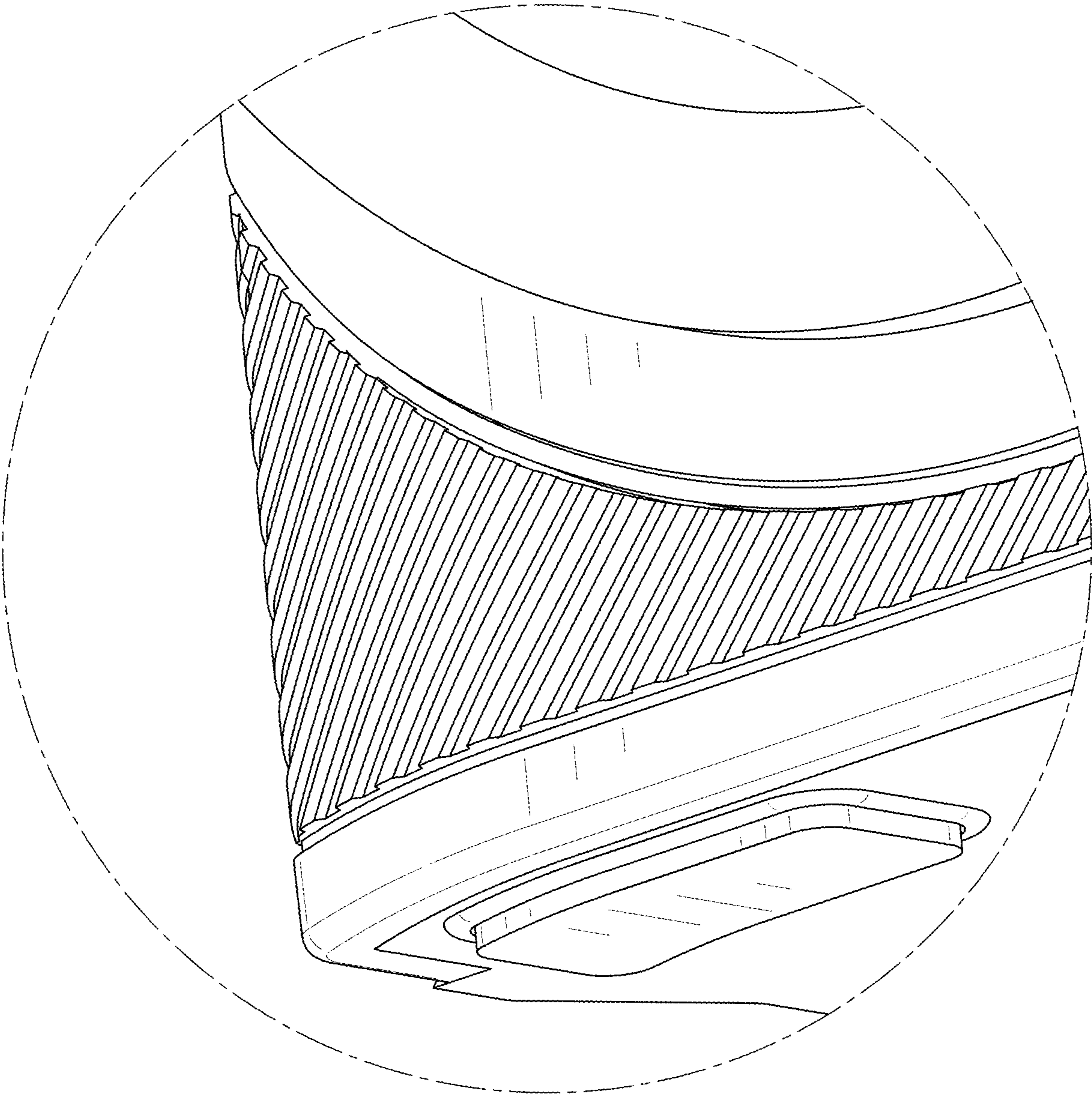


FIG. 9