



US00D917316S

(12) **United States Design Patent**
Zhan

(10) **Patent No.:** **US D917,316 S**

(45) **Date of Patent:** **** Apr. 27, 2021**

(54) **TAKING RULER**

(71) Applicant: **Jinhua Wanfeng Tools Factory**, Jinhua (CN)

(72) Inventor: **Hui Zhan**, Jinhua (CN)

(**) Term: **15 Years**

(21) Appl. No.: **29/759,309**

(22) Filed: **Nov. 20, 2020**

(30) **Foreign Application Priority Data**

Oct. 28, 2020 (CN) 202030644154.0

(51) **LOC (13) Cl.** **10-04**

(52) **U.S. Cl.**
USPC **D10/65**

(58) **Field of Classification Search**
USPC D8/99, 100, 105; D10/65
CPC B28D 1/22; B28D 1/223; B28D 1/225;
B28D 1/228; E04F 21/0076; E04F 21/18;
E04F 21/20; Y10S 33/20; G01B 5/20;
G01B 5/207; B25H 7/04
See application file for complete search history.

(56) **References Cited**

U.S. PATENT DOCUMENTS

- 1,261,438 A * 4/1918 Reinhardt G01B 5/20
33/561.1
- 2,949,674 A * 8/1960 Wexler G01B 5/20
33/561.1
- D711,261 S 8/2014 Igarashi
- D734,186 S 7/2015 Ringlein
- 9,308,671 B2 * 4/2016 Baro Cabrero B28D 1/225
- 9,404,726 B2 * 8/2016 Shu G01B 5/207
- 9,808,962 B2 * 11/2017 Moog B28D 1/225
- 10,525,612 B2 * 1/2020 Soler Balcells B43L 7/027

- D884,501 S * 5/2020 Lei G01B 5/20
D10/65
- D885,212 S * 5/2020 Fu D10/65
- D896,671 S * 9/2020 Li D10/65
- D902,753 S * 11/2020 Zhang D10/65
- D903,514 S * 12/2020 Fu D10/65
- D904,210 S * 12/2020 Chen D10/65
- 2012/0266472 A1 * 10/2012 Liza E04F 21/0076
33/527

* cited by examiner

Primary Examiner — Antoine Duval Davis

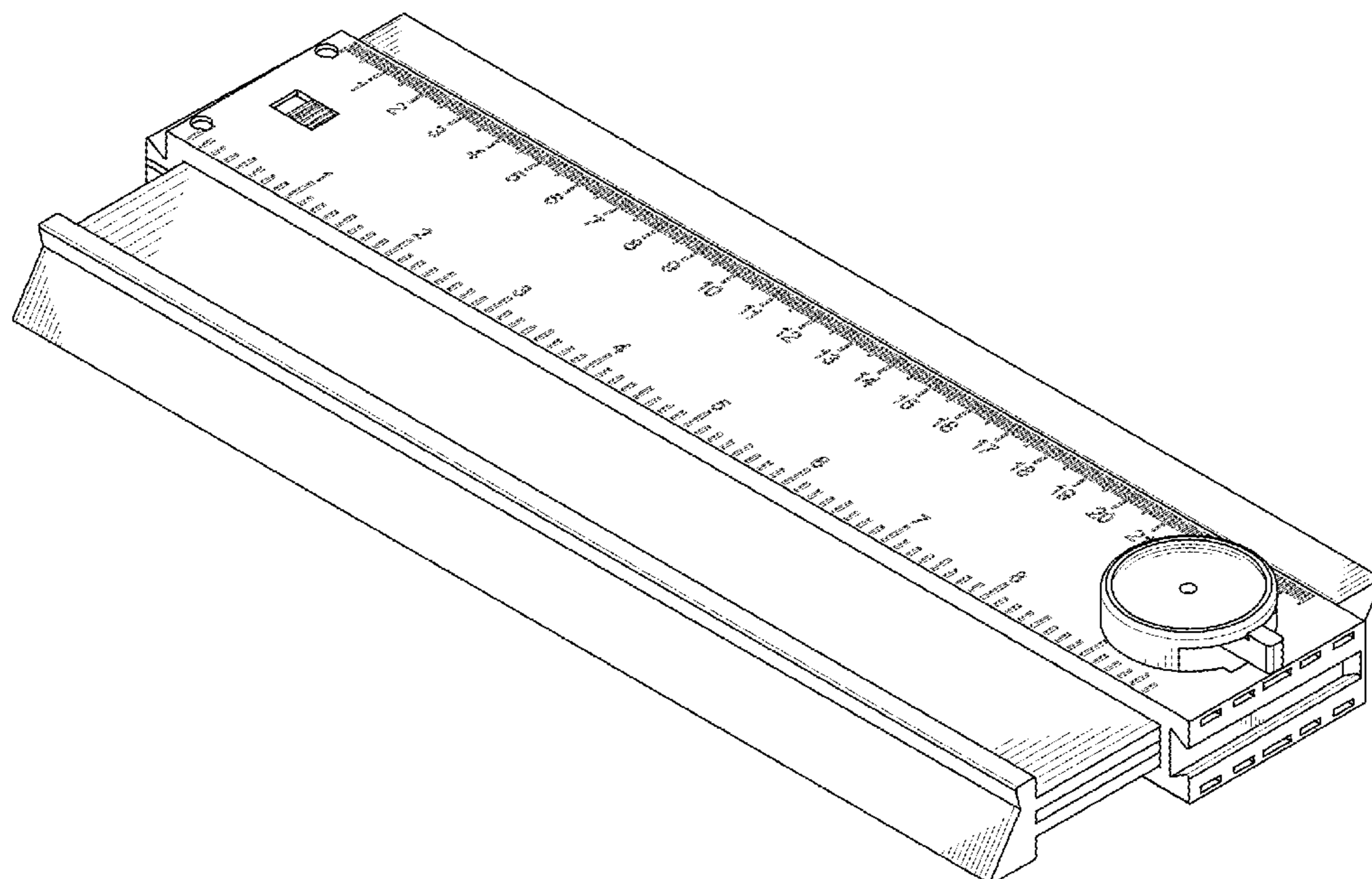
(57) **CLAIM**

The ornamental design for a taking ruler, as shown and described.

DESCRIPTION

FIG. 1 is a perspective view of a first embodiment of a taking ruler showing my new design;
 FIG. 2 is a front view thereof;
 FIG. 3 is a rear view thereof;
 FIG. 4 is a left side view thereof;
 FIG. 5 is a right side view thereof;
 FIG. 6 is a top plan view thereof;
 FIG. 7 is a bottom plan view thereof;
 FIG. 8 is a perspective view of a second embodiment of a taking ruler showing my new design;
 FIG. 9 is a front view thereof;
 FIG. 10 is a rear view thereof;
 FIG. 11 is a left side view thereof;
 FIG. 12 is a right side view thereof;
 FIG. 13 is a top plan view thereof; and,
 FIG. 14 is a bottom plan view thereof.
 The broken lines in the figures illustrate portions of the taking ruler that form no part of the claimed design.

1 Claim, 10 Drawing Sheets



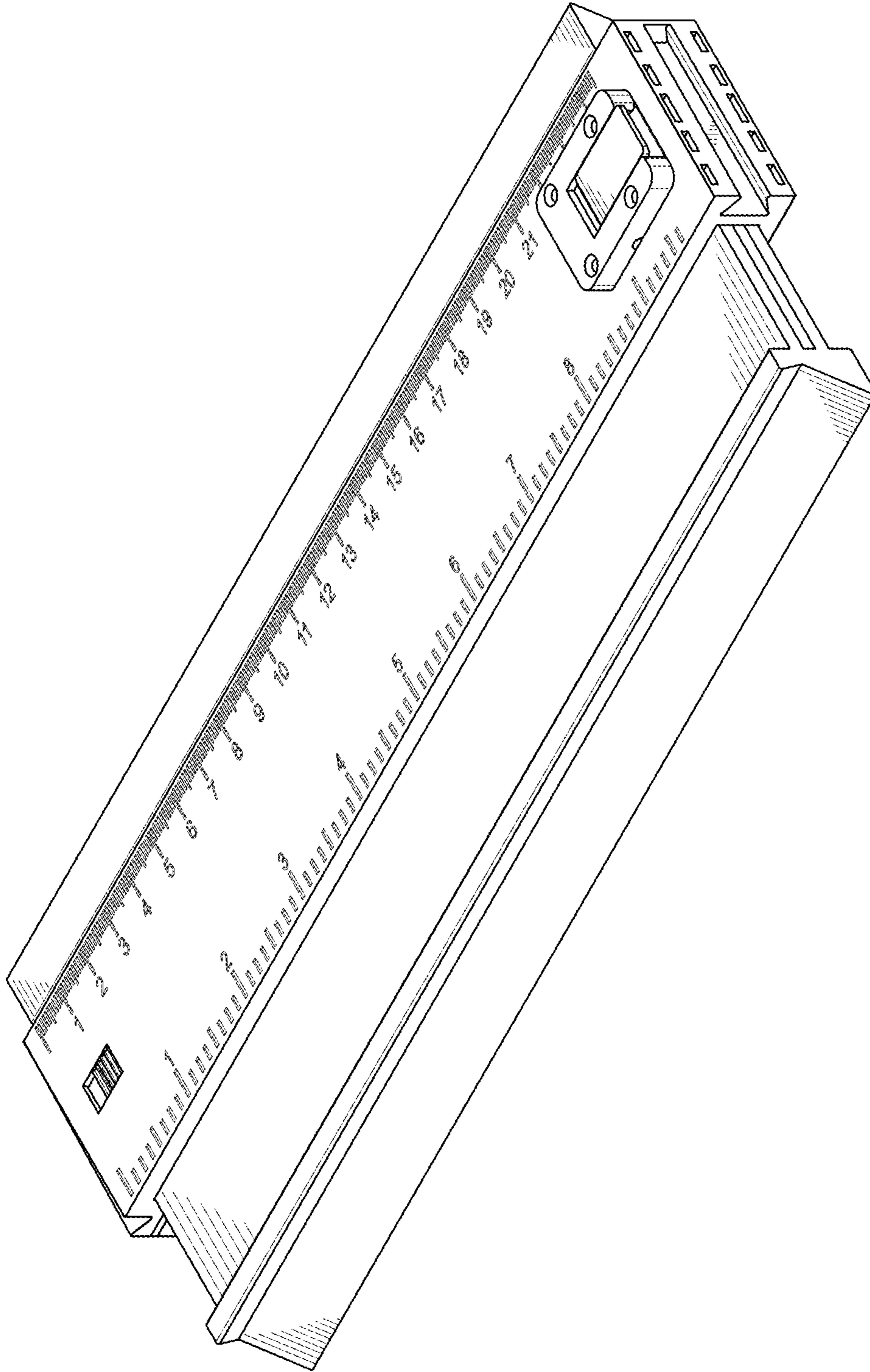


FIG. 1

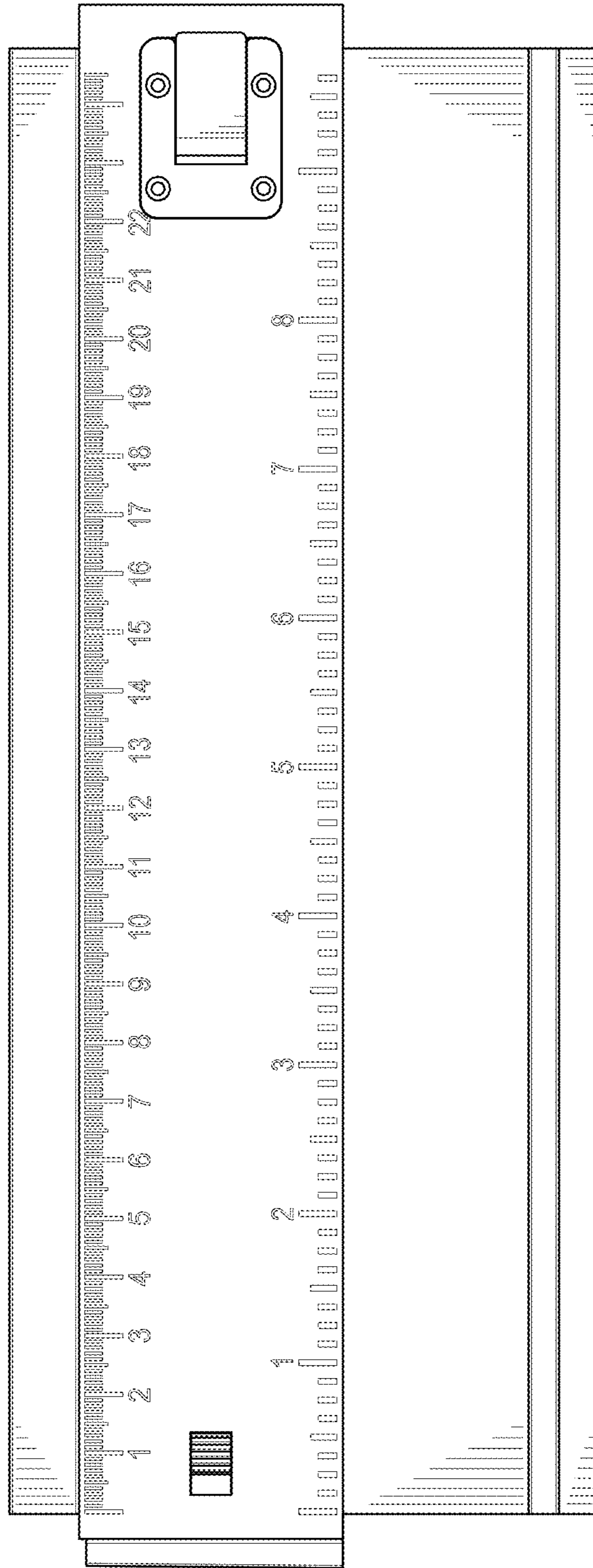


FIG. 2

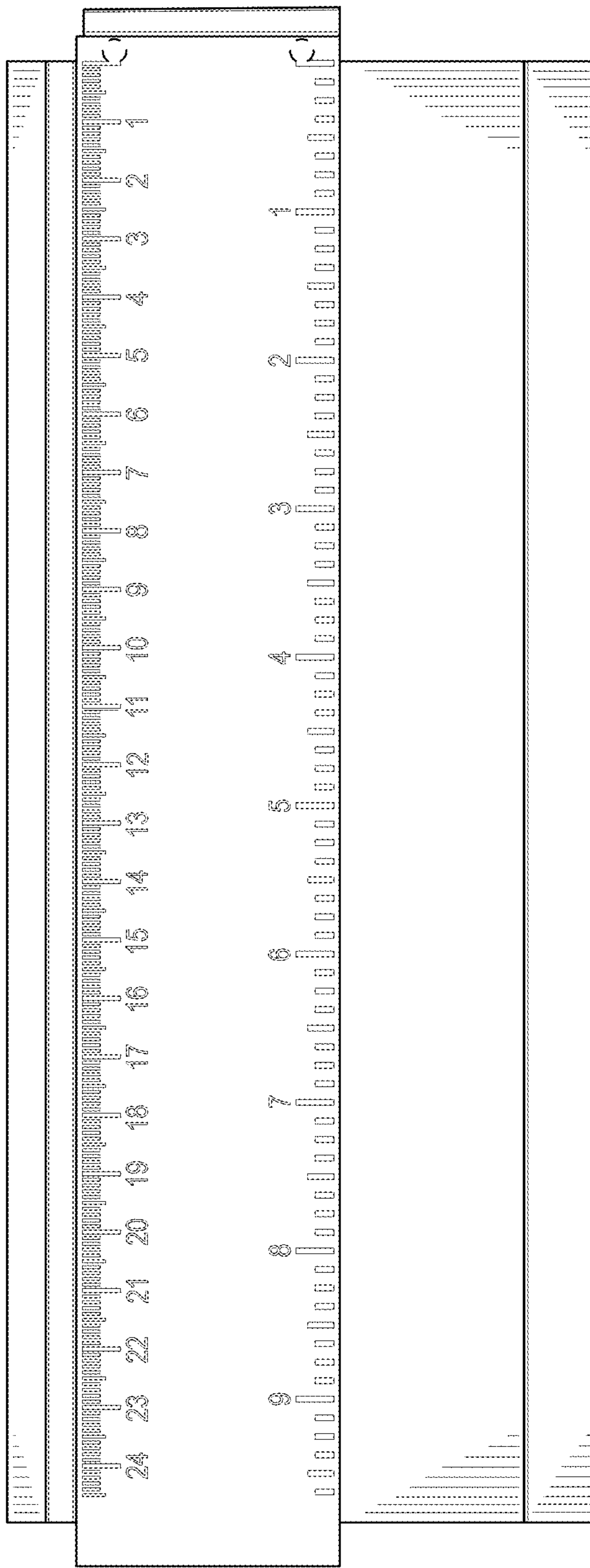


FIG. 3

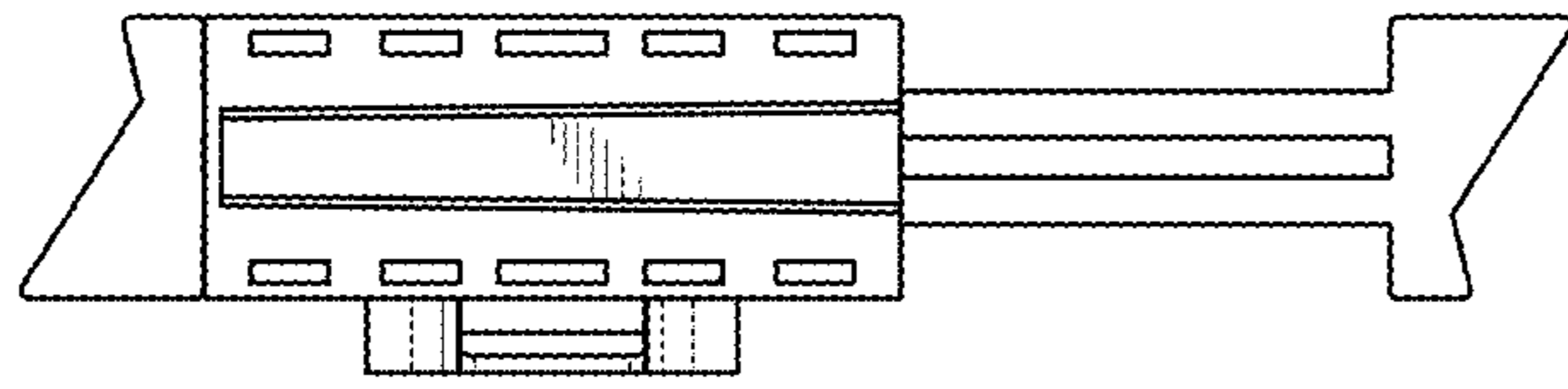


FIG. 5

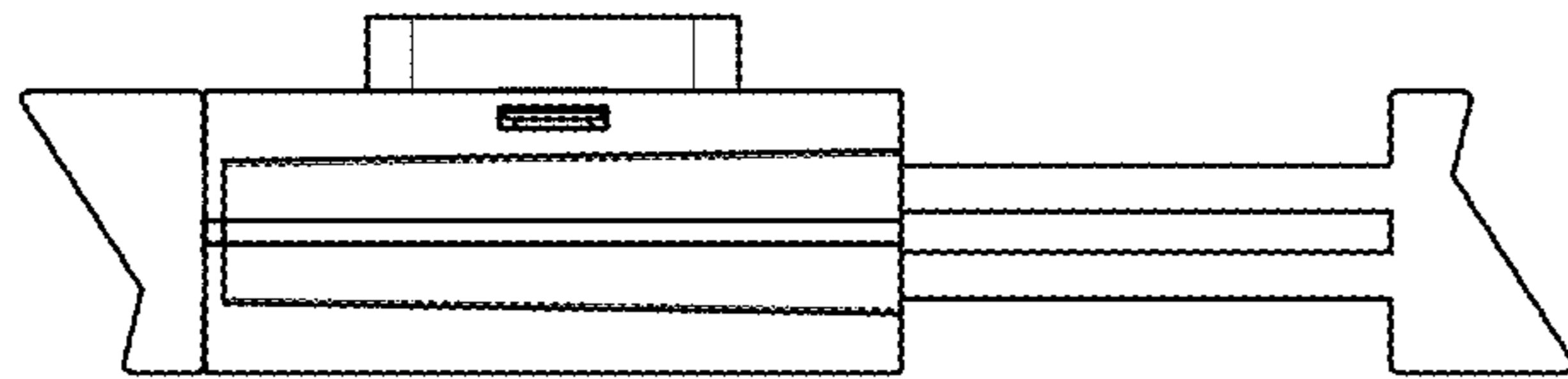


FIG. 4

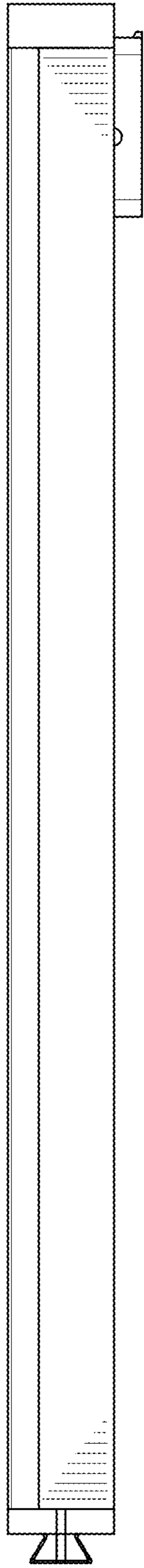


FIG. 6

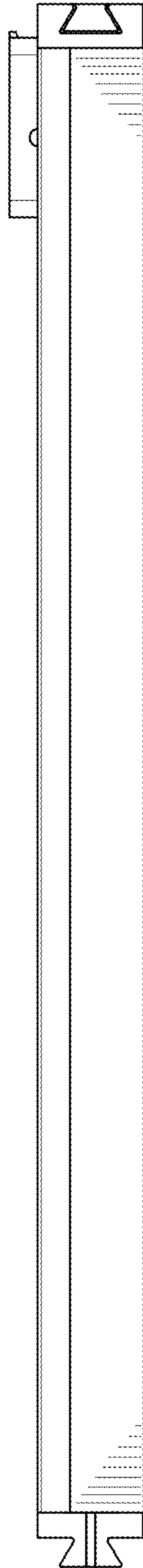


FIG. 7

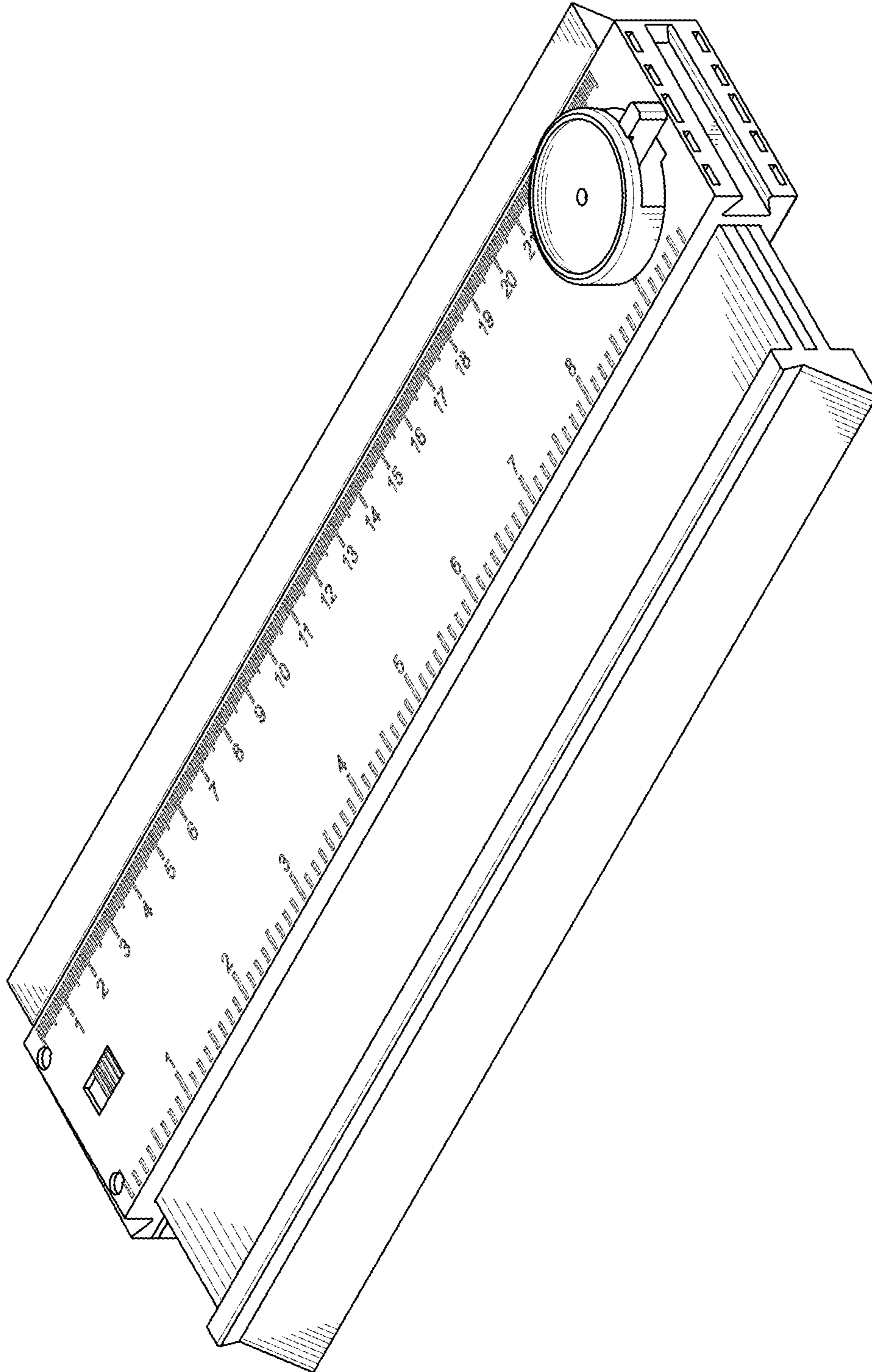


FIG. 8

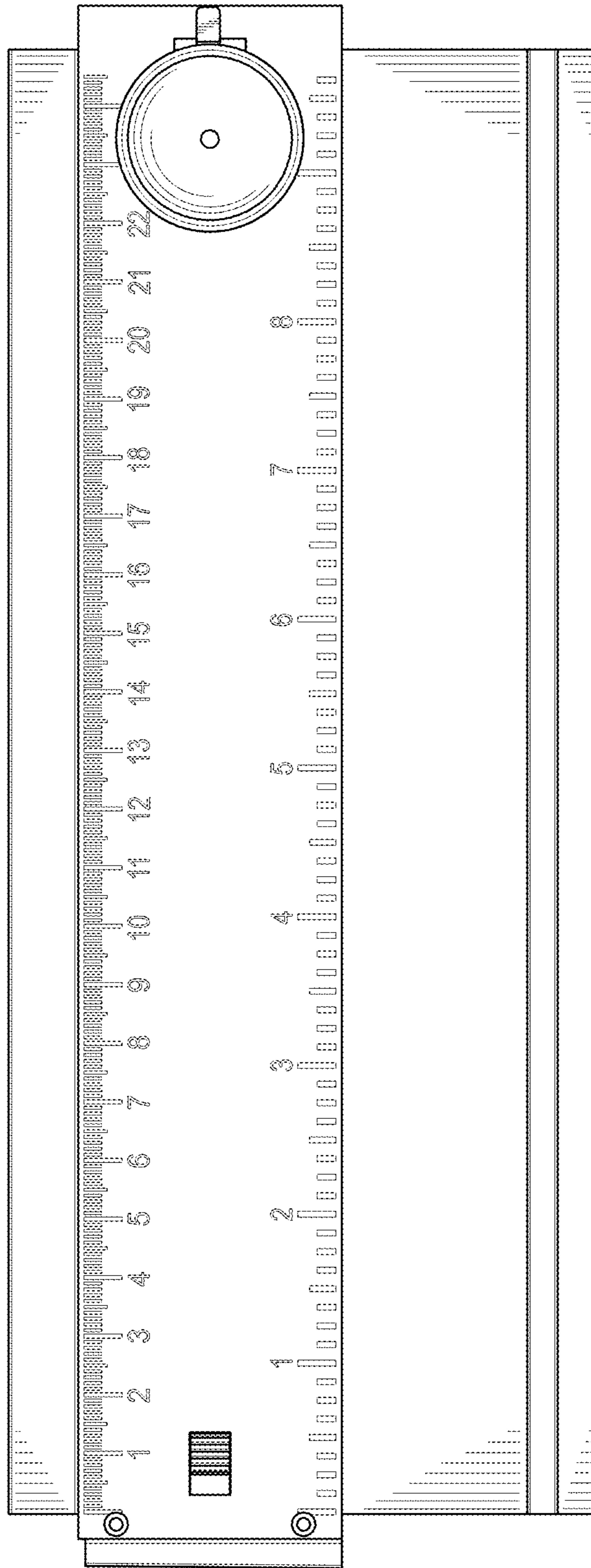


FIG. 9

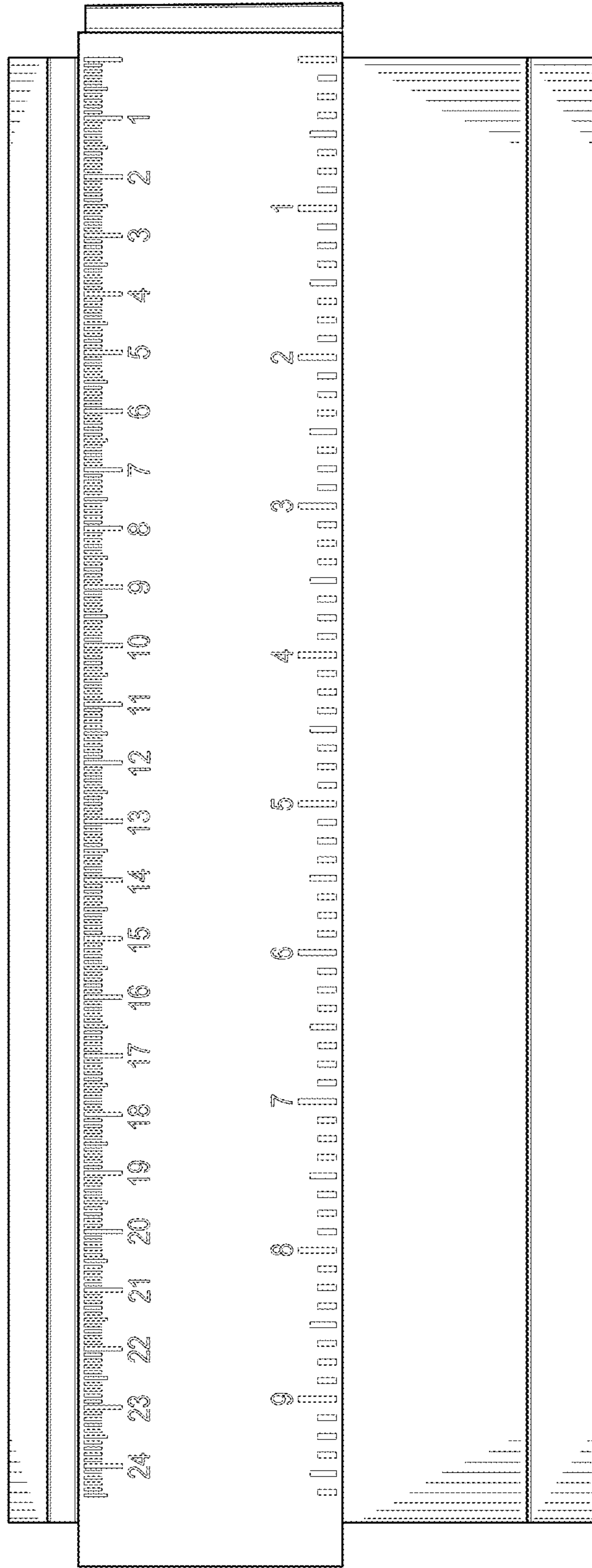


FIG. 10

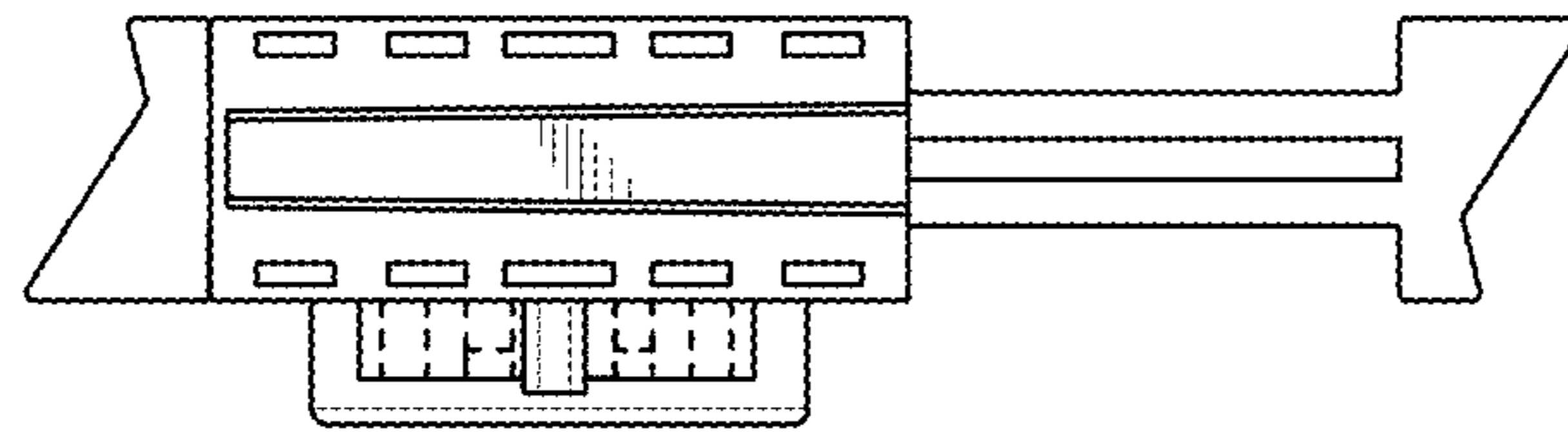


FIG. 12

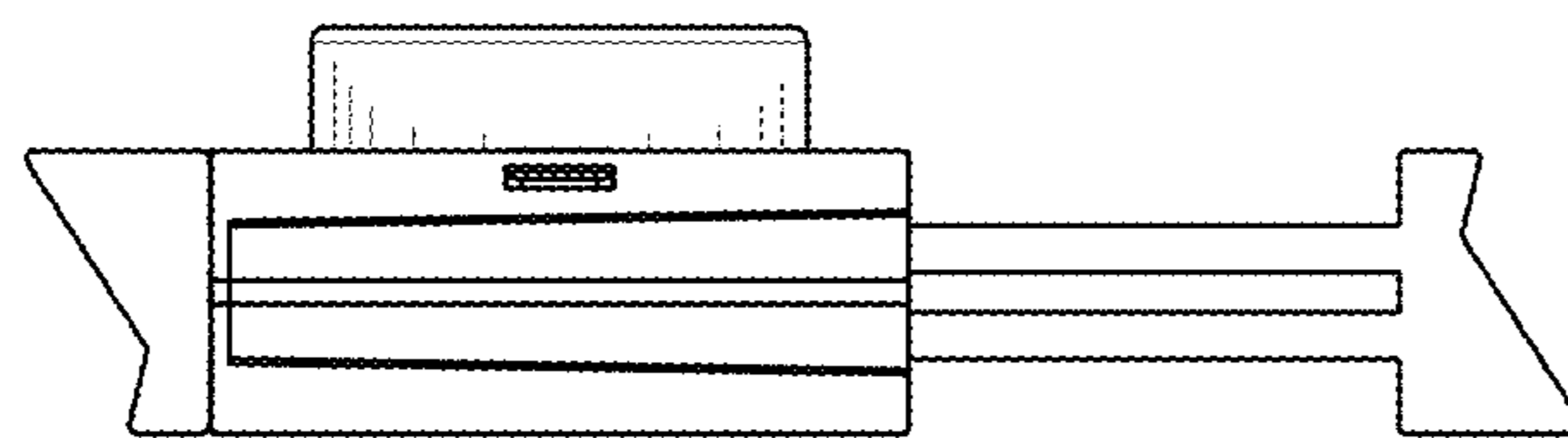


FIG. 11

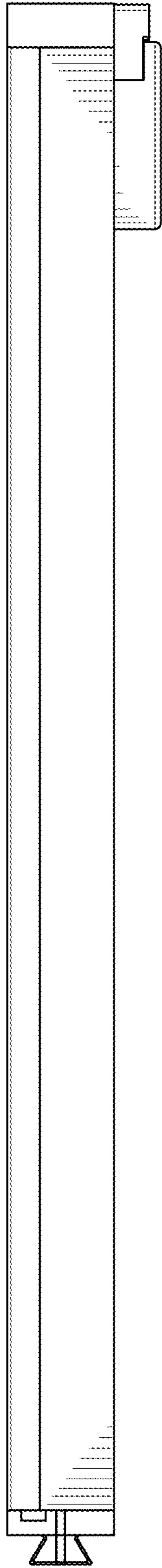


FIG. 13

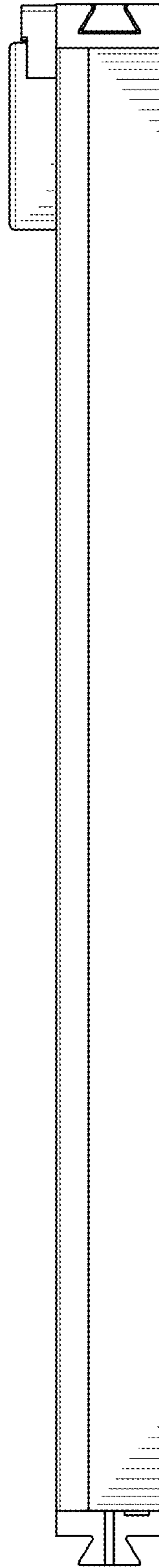


FIG. 14