



US00D917312S

(12) **United States Design Patent** (10) **Patent No.:** **US D917,312 S**
Li (45) **Date of Patent:** **** Apr. 27, 2021**

(54) **THERMOSTAT**

(71) Applicant: **Lizhi Li**, Guangdong (CN)

(72) Inventor: **Lizhi Li**, Guangdong (CN)

(**) Term: **15 Years**

(21) Appl. No.: **29/693,915**

(22) Filed: **Jun. 6, 2019**

(51) **LOC (13) Cl.** **10-04**

(52) **U.S. Cl.**
USPC **D10/50**

(58) **Field of Classification Search**
USPC D10/49, 50; D13/162, 162.1, 168, 177, D13/184

CPC . F23N 5/20; F23N 5/203; F23N 5/206; F23N 5/18; F23N 5/184; F23N 5/187; F23N 5/22; F23N 2025/12; F23N 2041/02; F24F 11/00; F24F 11/0012; F24F 11/0009; F24F 11/001; F24F 2011/0057; F24F 2011/0073; F24F 2011/0091; F24F 2011/0094; F24F 2011/0068; F24F 2011/0012; F24F 2011/0015; F24F 2011/0017; F21V 11/16; F21V 33/10; G05B 19/042; G05D 23/01; G05D 23/12; G05D 23/275; G05D 23/1902; G05D 23/1904; G05D 23/27502; G05D 23/27503; G05D 23/1919; G05D 23/19; G05D 23/2723; G05D 23/00; G09F 13/22; G09F 9/53; G06F 1/1684; G06F 1/30; G06F 3/0362; G06F 3/038; H05B 33/0854; H05B 37/0218; H05K 5/0017; H05K 5/0243; H05K 5/00; H05K 5/03; H04M 2250/12; H04M 2250/22

See application file for complete search history.

(56) **References Cited**

U.S. PATENT DOCUMENTS

D733,591	S	*	7/2015	Golden	D10/50
D738,755	S	*	9/2015	Druce	D10/50
D738,756	S	*	9/2015	Jiang	D10/50
D751,426	S	*	3/2016	Edgar	D10/50
D758,217	S	*	6/2016	Kumfer	D10/50
D786,803	S	*	5/2017	Kim	D13/168
D802,450	S	*	11/2017	Boynton	D10/50
D809,942	S	*	2/2018	Cool	D10/50
10,024,568	B1	*	7/2018	Read	F24F 11/30
D828,816	S	*	9/2018	Spors	D13/162
D831,590	S	*	10/2018	Lee	D13/177
D870,572	S	*	12/2019	Li	D10/49
D870,573	S	*	12/2019	Li	D10/49
D870,680	S	*	12/2019	Lee	D13/162
D871,933	S	*	1/2020	Zhang	F24F 11/30 D10/50

* cited by examiner

Primary Examiner — Antoine Duval Davis

(74) *Attorney, Agent, or Firm* — W&K IP

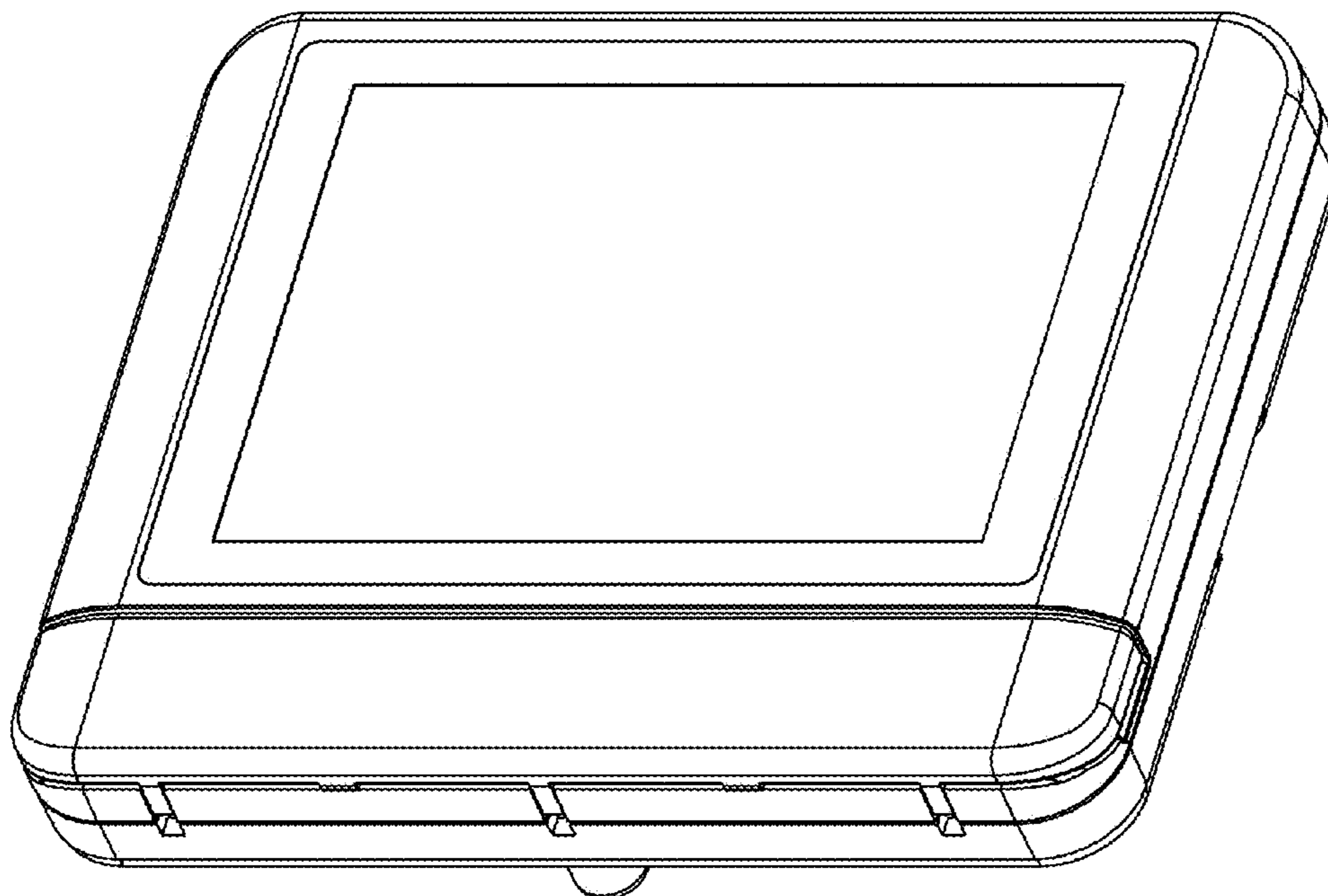
(57) **CLAIM**

The ornamental design for a thermostat, as shown and described.

DESCRIPTION

FIG. 1 is a perspective view of a thermostat showing my new design;
FIG. 2 is a front elevation view thereof;
FIG. 3 is a rear elevation view thereof;
FIG. 4 is a left side elevation view thereof;
FIG. 5 is a right side elevation view thereof;
FIG. 6 is a top plan view thereof; and,
FIG. 7 is a bottom plan view thereof.

1 Claim, 7 Drawing Sheets



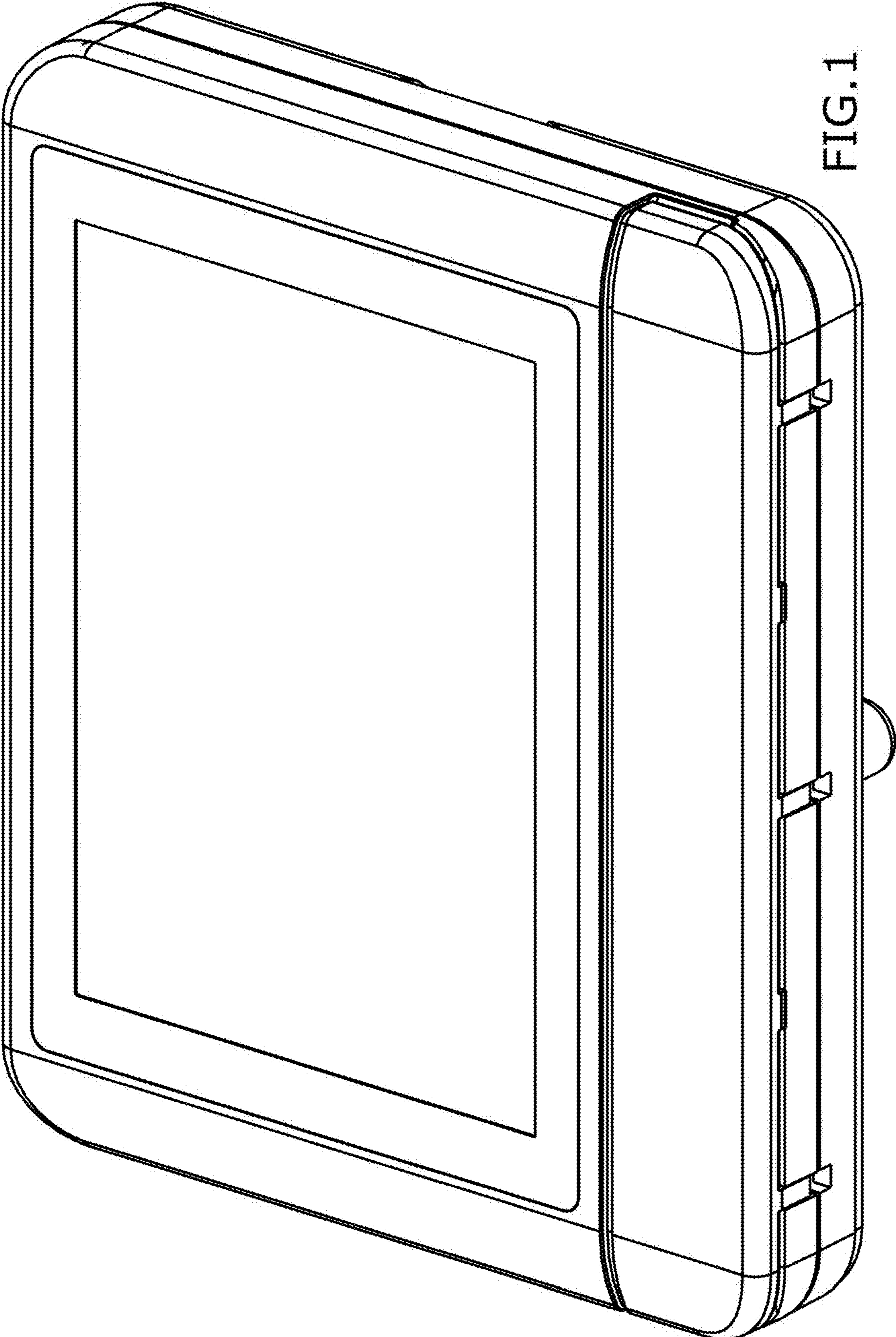


FIG. 1

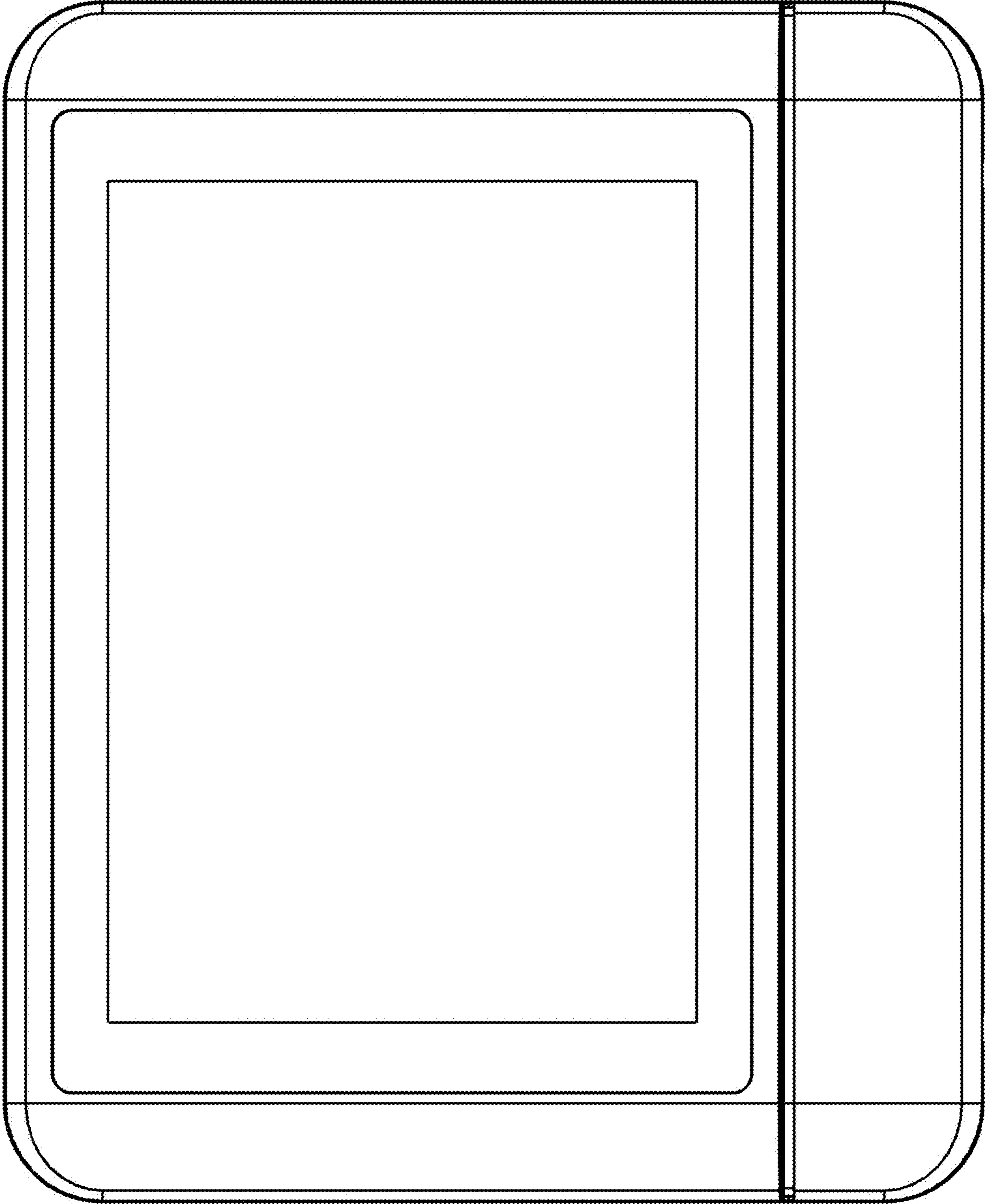


FIG. 2

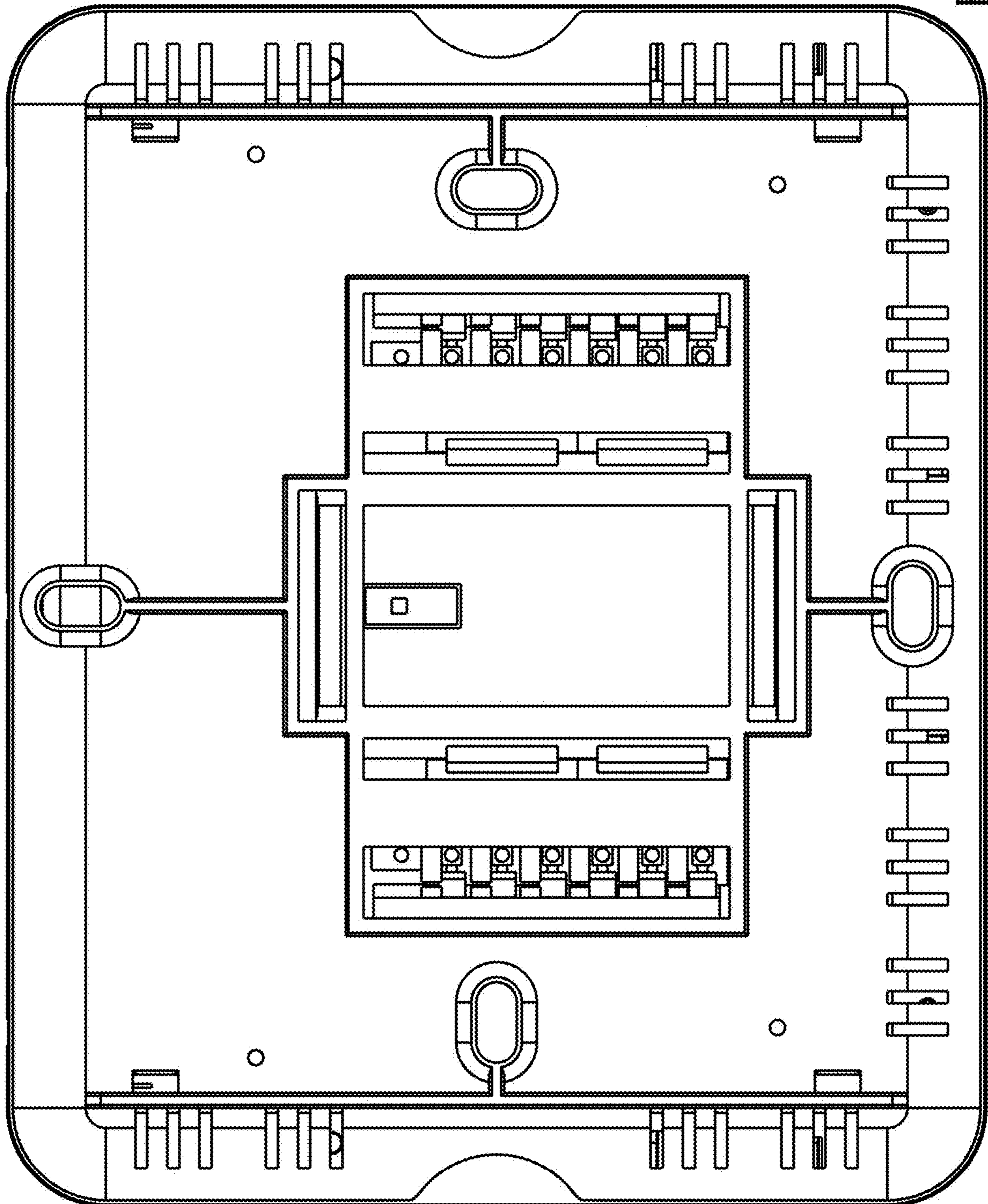


FIG. 3

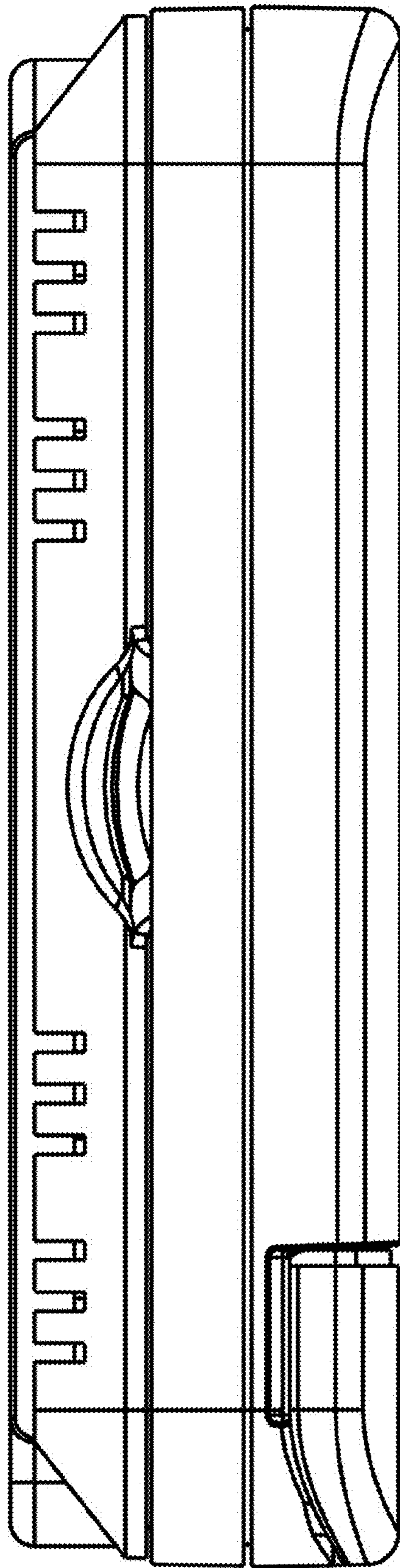


FIG. 4

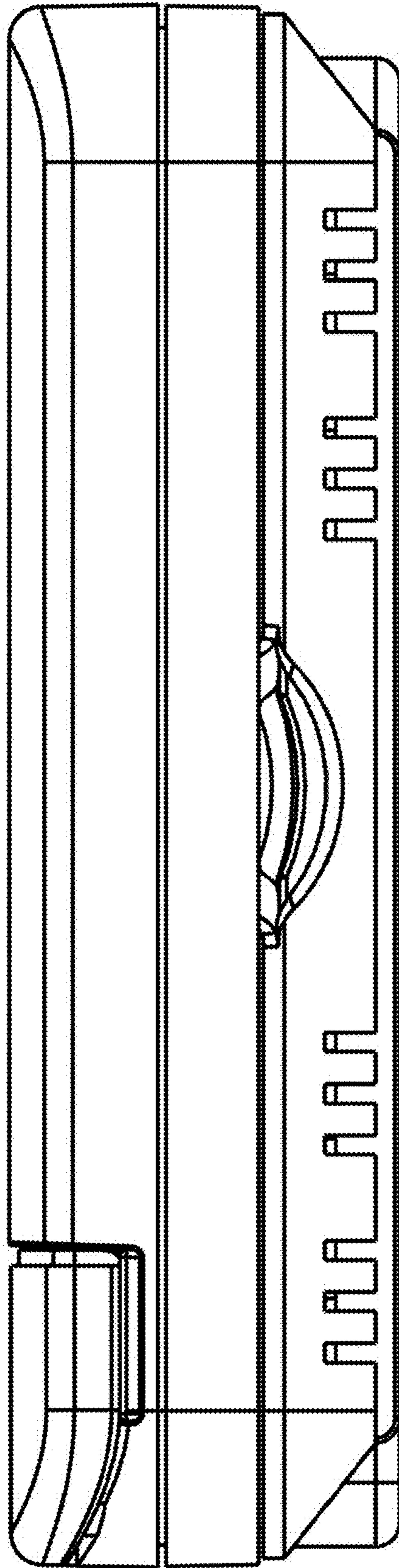


FIG. 5

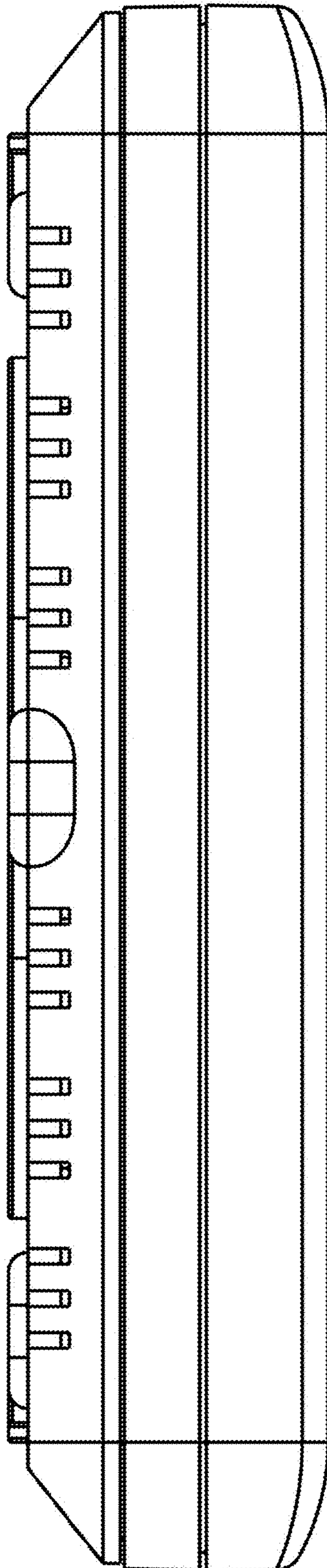


FIG. 6

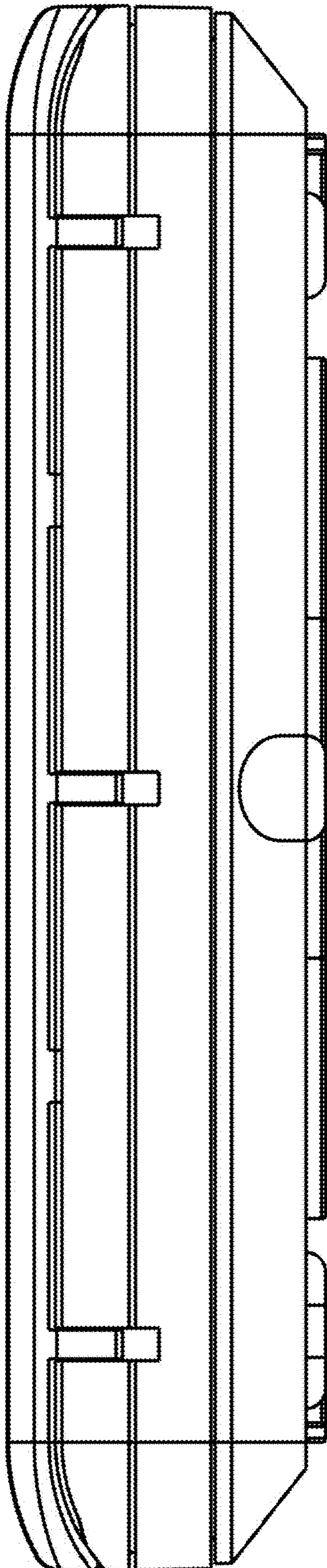


FIG. 7