



US00D917308S

(12) **United States Design Patent** (10) **Patent No.:** **US D917,308 S**
Cabral (45) **Date of Patent:** **** *Apr. 27, 2021**

- (54) **WATCH**
- (71) Applicant: **Richemont International SA,**
Villars-sur-Glane (CH)
- (72) Inventor: **Constanza Candamil Cabral,** Geneva
(CH)
- (73) Assignee: **Richemont International SA,**
Villars-sur-Glane (CH)
- (*) Notice: This patent is subject to a terminal disclaimer.
- (**) Term: **15 Years**
- (21) Appl. No.: **29/693,480**
- (22) Filed: **Jun. 3, 2019**
- (30) **Foreign Application Priority Data**

Dec. 3, 2018 (WO) 970003100

- (51) **LOC (13) Cl.** **10-02**
- (52) **U.S. Cl.**
USPC **D10/39**

- (58) **Field of Classification Search**
USPC D10/30-39, 121-126, 128, 131-132;
D11/3, 93-94
CPC G04B 19/00; G04B 19/04; G04B 19/08;
G04B 19/085; G04B 19/10; G04B 19/12;
G04B 19/103; G04B 19/106; G04B
37/1486; G04B 39/02; G04B 39/004;
G04B 39/006; G04B 47/00; G04B 47/04;
G04B 47/042; G04B 45/0061; G04B
45/0069; G04B 45/0076; G04G 19/06;
A44C 5/00; A44C 5/0007; A44C 5/0053;
A44C 5/0084; A44C 5/145; A44C
5/00147

See application file for complete search history.

(56) **References Cited**

U.S. PATENT DOCUMENTS

- 4,855,972 A * 8/1989 Eiss G04B 37/1486
368/282
- D317,577 S * 6/1991 Eiss D10/30

- D356,971 S * 4/1995 Newman D10/122
- D504,332 S * 4/2005 Chodat D10/39
- D565,430 S * 4/2008 Wartesian D10/38
- D568,197 S * 5/2008 Wartesian D10/126
- D569,273 S * 5/2008 Rabassa D10/32
- D577,613 S * 9/2008 Rochat D10/38

(Continued)

OTHER PUBLICATIONS

Piaget Limelight Gala GPHG Ladies Watch Prize 2016 | posted at timeandtimewatches.com May 2016 [online]. © 2019 Time + Tide [retrieved Aug. 24, 2020] from Internet: <https://timeandtidewatches.com/hands-on-the-piaget-limelight-gala-winner-of-the-gphg-ladies-watch-prize/> (Year: 2016).*

(Continued)

Primary Examiner — Katherine Glennon
(74) *Attorney, Agent, or Firm* — Taft Stettinius & Hollister LLP

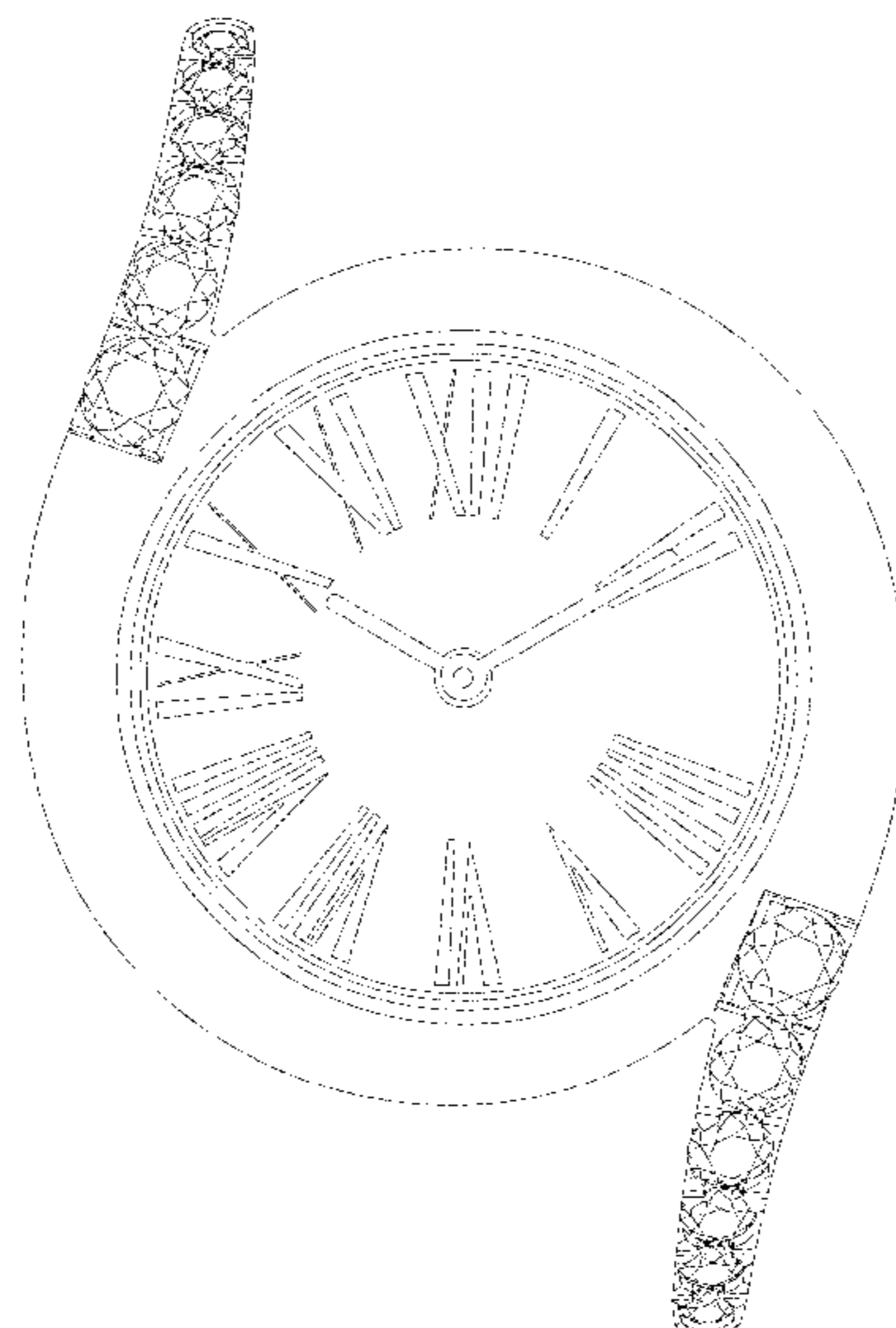
(57) **CLAIM**

The ornamental design for a watch, as shown and described.

DESCRIPTION

FIG. 1 is a front elevational view of a watch showing my new design;
FIG. 2 is a back elevational view thereof;
FIG. 3 is a top plan view thereof;
FIG. 4 is a bottom plan view thereof;
FIG. 5 is a right side elevational thereof;
FIG. 6 is a left side elevational view thereof;
FIG. 7 is a front, bottom, right side perspective view thereof; and,
FIG. 8 is a back, top, left side perspective view thereof.
The broken lines depict portions of the watch that form no part of the claimed design.

1 Claim, 8 Drawing Sheets



(56)

References Cited

U.S. PATENT DOCUMENTS

D642,939 S * 8/2011 Enomoto D10/38
D646,184 S * 10/2011 Duport D10/39
D650,297 S * 12/2011 Duport D10/39
D675,940 S * 2/2013 Sasaki D10/32
D677,186 S * 3/2013 Favre D10/123
D697,435 S * 1/2014 Duport D10/39
D716,154 S * 10/2014 Harada D10/32
D755,643 S * 5/2016 Giannini D10/32
D758,214 S * 6/2016 Gueit D10/36
D759,504 S * 6/2016 Sugiura D10/30
D767,413 S * 9/2016 Voirin D10/30
D858,315 S * 9/2019 Monachon D10/39
D861,503 S * 10/2019 Monachon D10/30
D862,253 S * 10/2019 Monachon D10/39

OTHER PUBLICATIONS

Review Piaget Limelight Gala | posted at watch ilove.com Apr. 2020 [online]. © 2020 Watch I Love Magazine [retrieved Aug. 24, 2020] from Internet: <<https://watchilove.com/review-piaget-limelight-gala>> (Year: 2020).*

Omega De Ville Tresor Ladies Collection | posted at monochrome-watches.com Feb. 14, 2018 [online]. © 2006-2020 Monochrome [retrieved Aug. 28, 2020] from Internet: <<https://monochrome-watches.com/omega-de-ville-tresor-ladies-collection-hands-on-specs-price/>> (Year: 2018).*

* cited by examiner

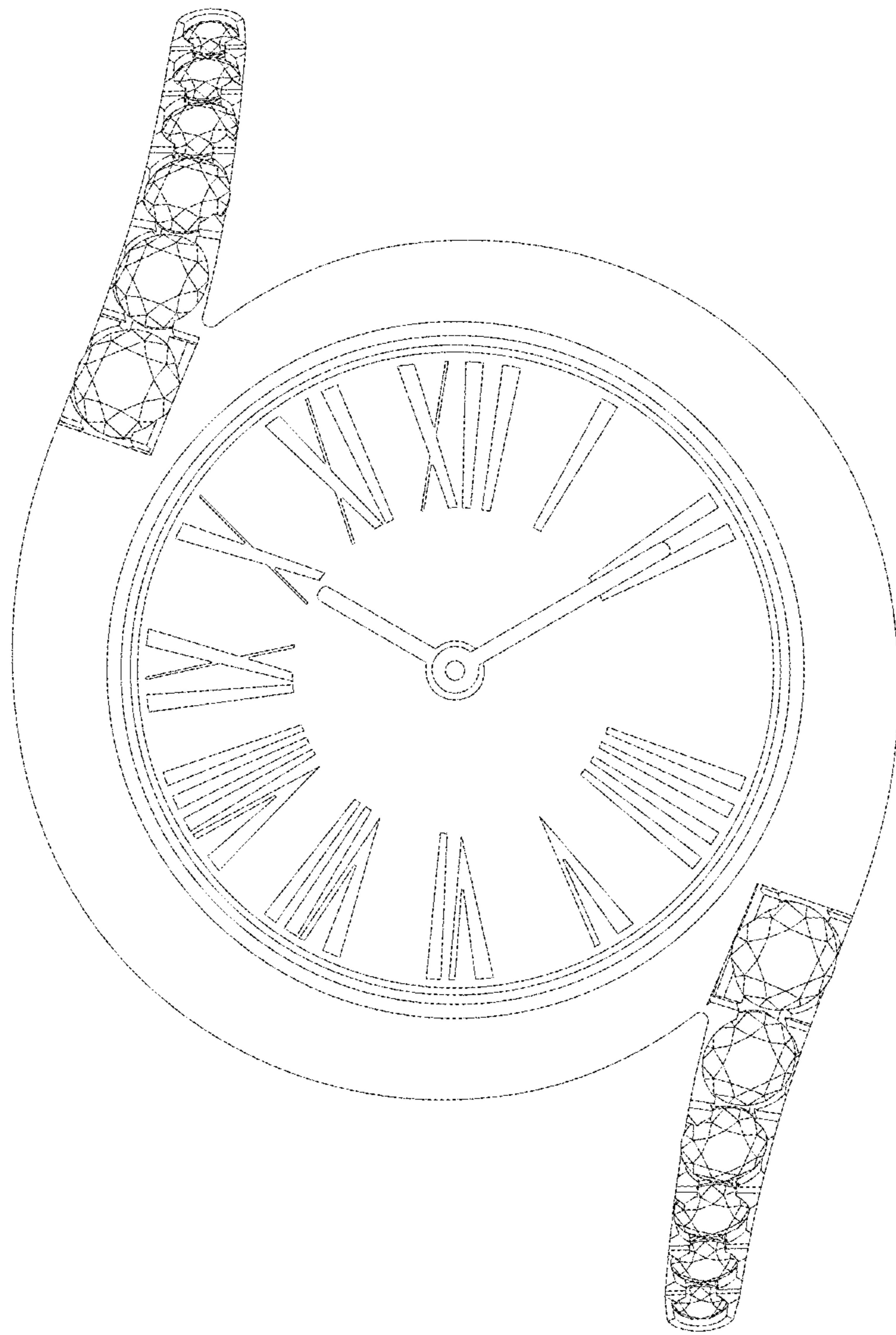


Fig. 1

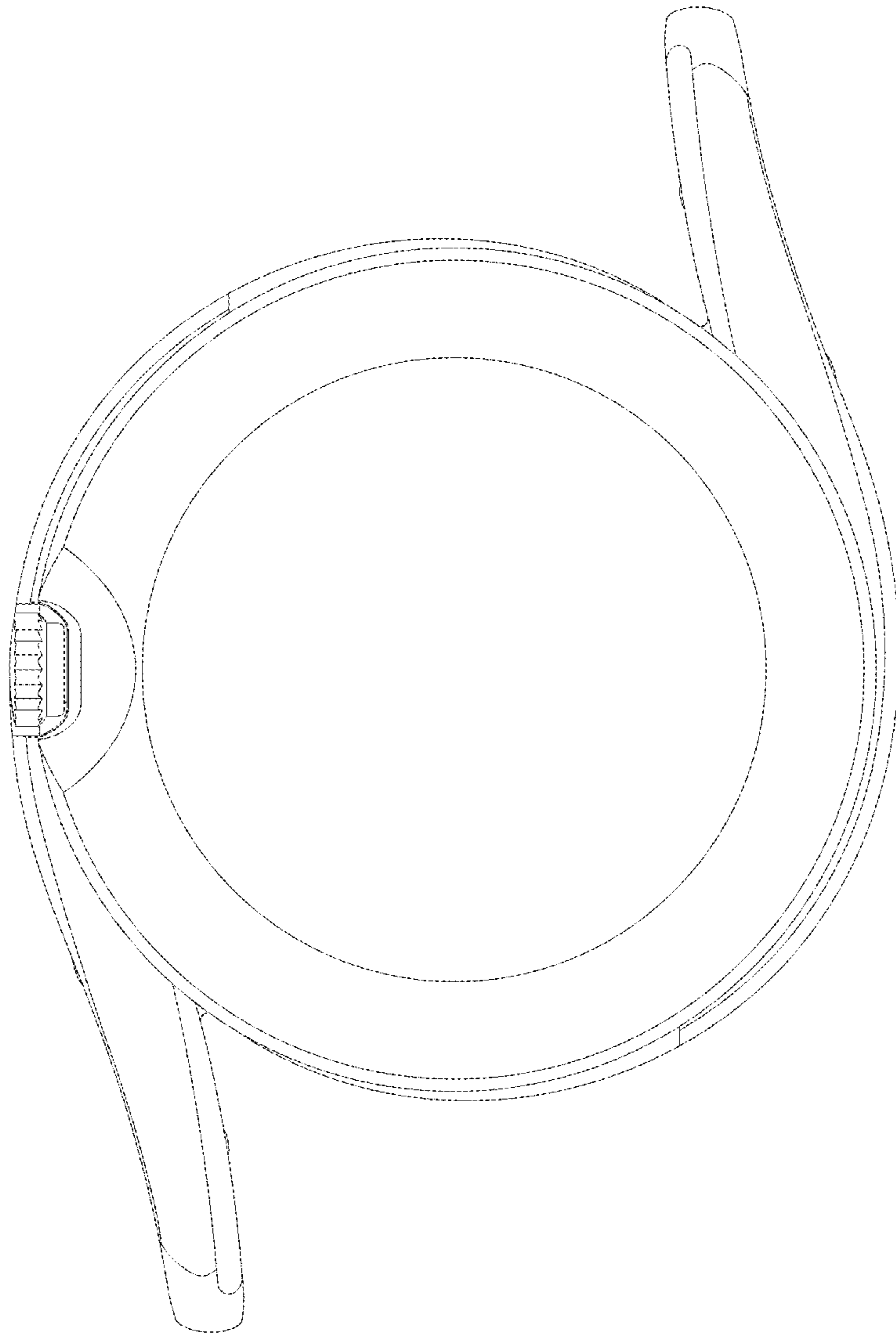


Fig. 2

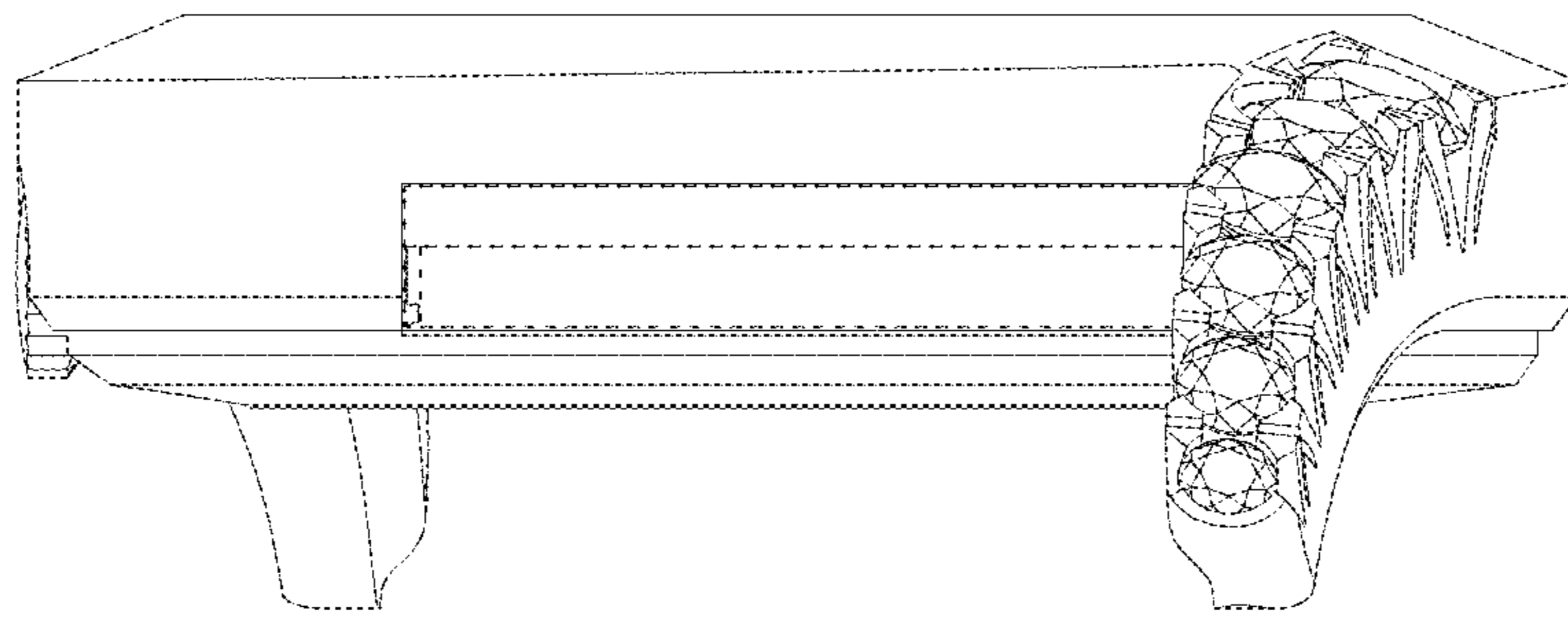


Fig. 3

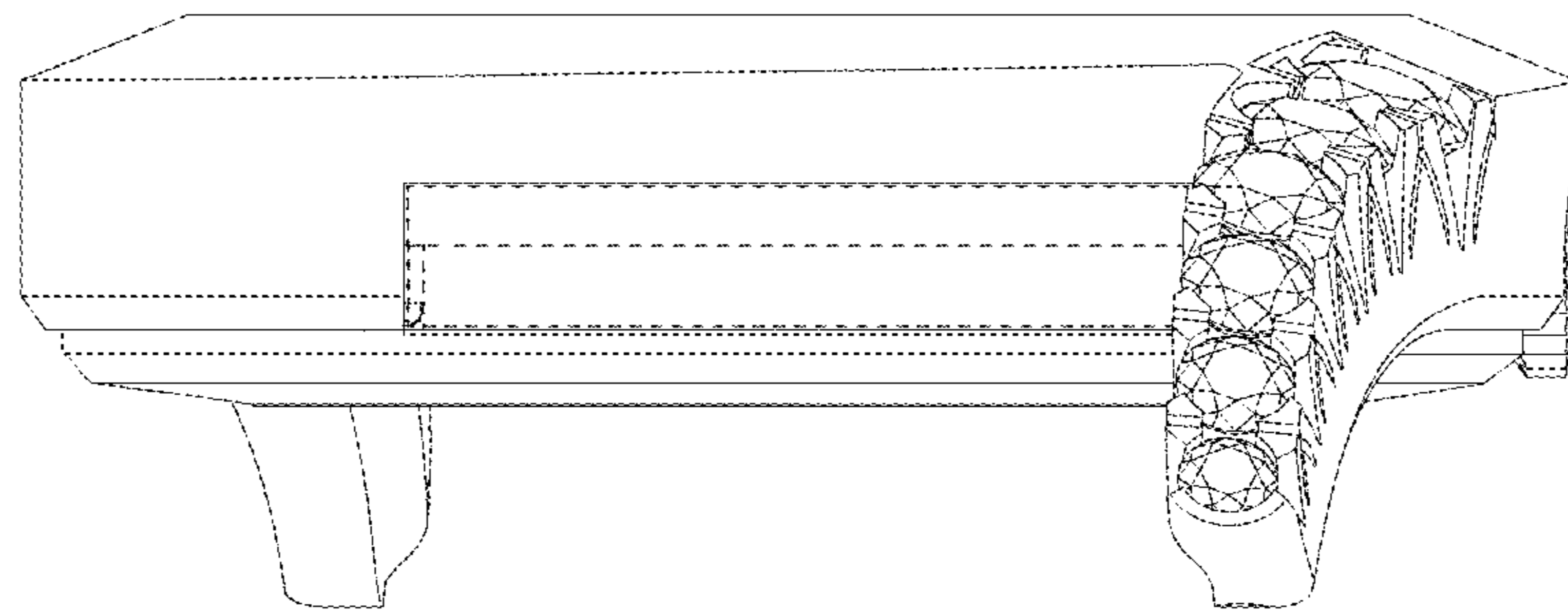


Fig. 4

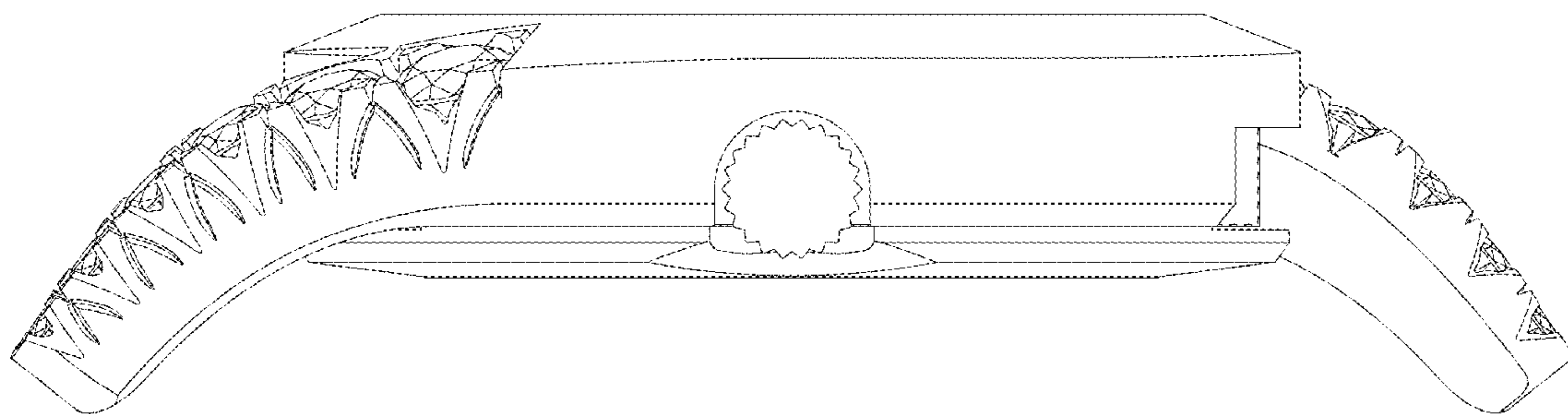


Fig. 5

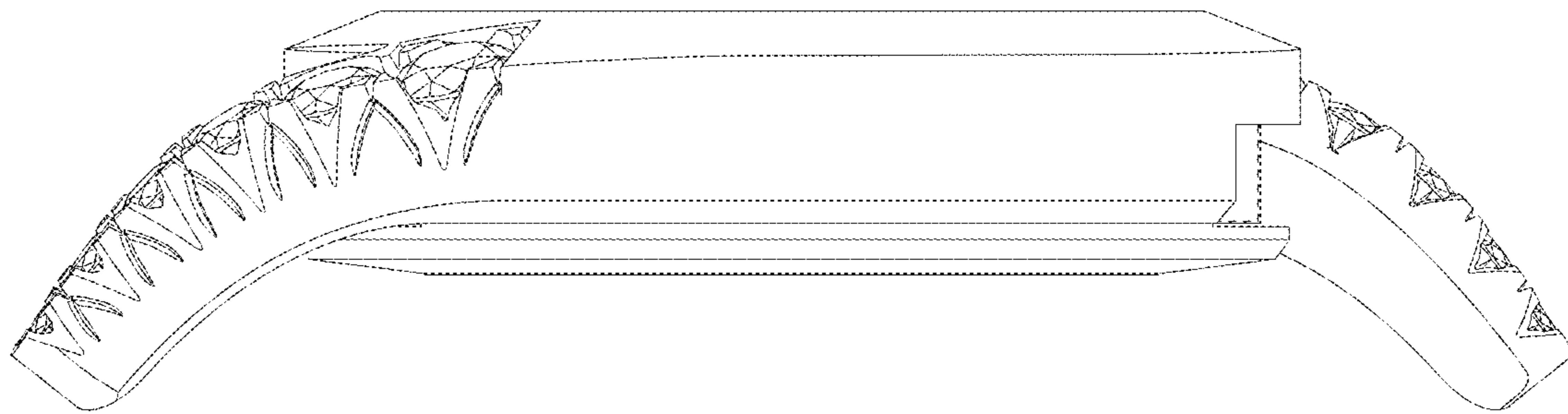


Fig. 6

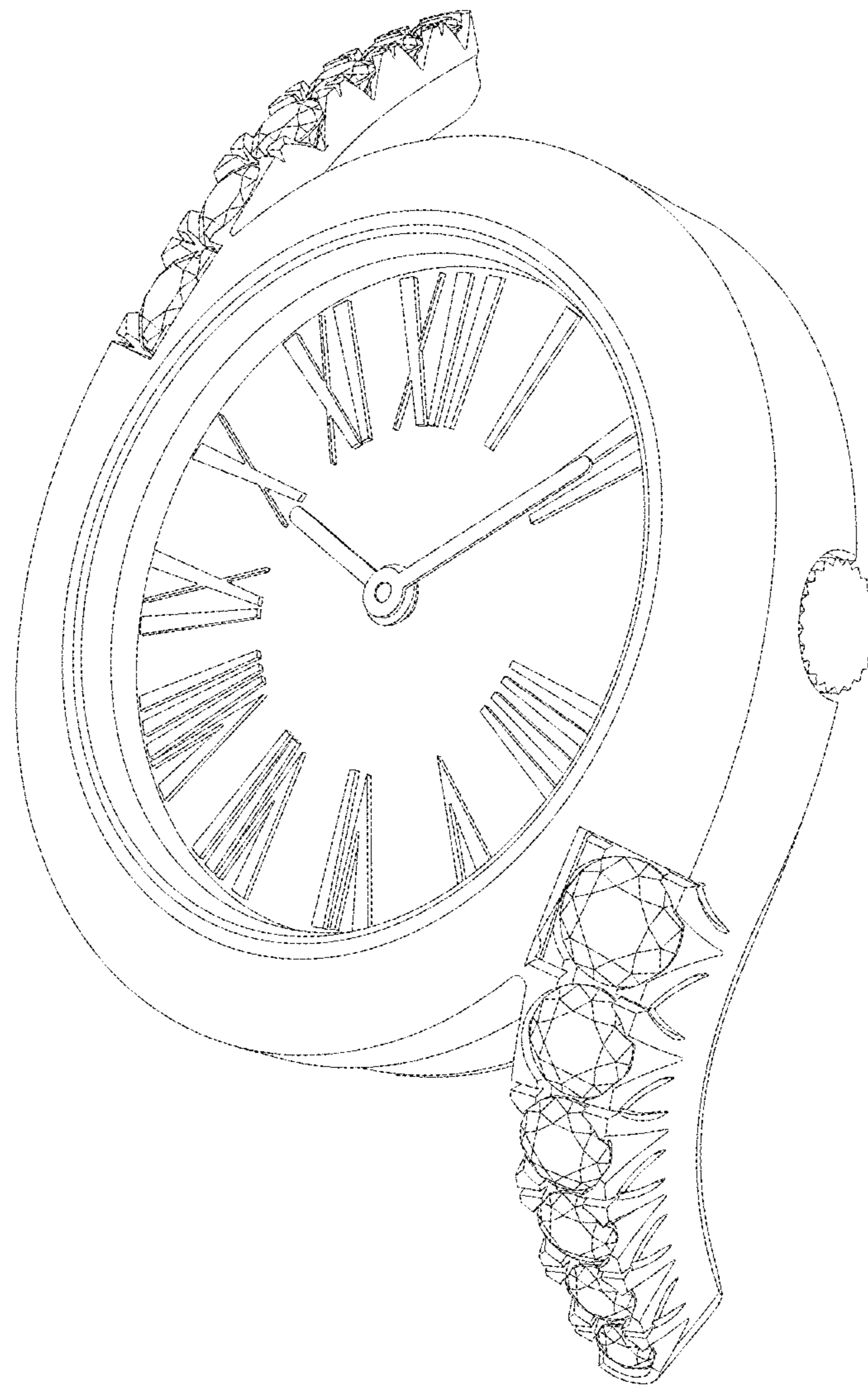


Fig. 7

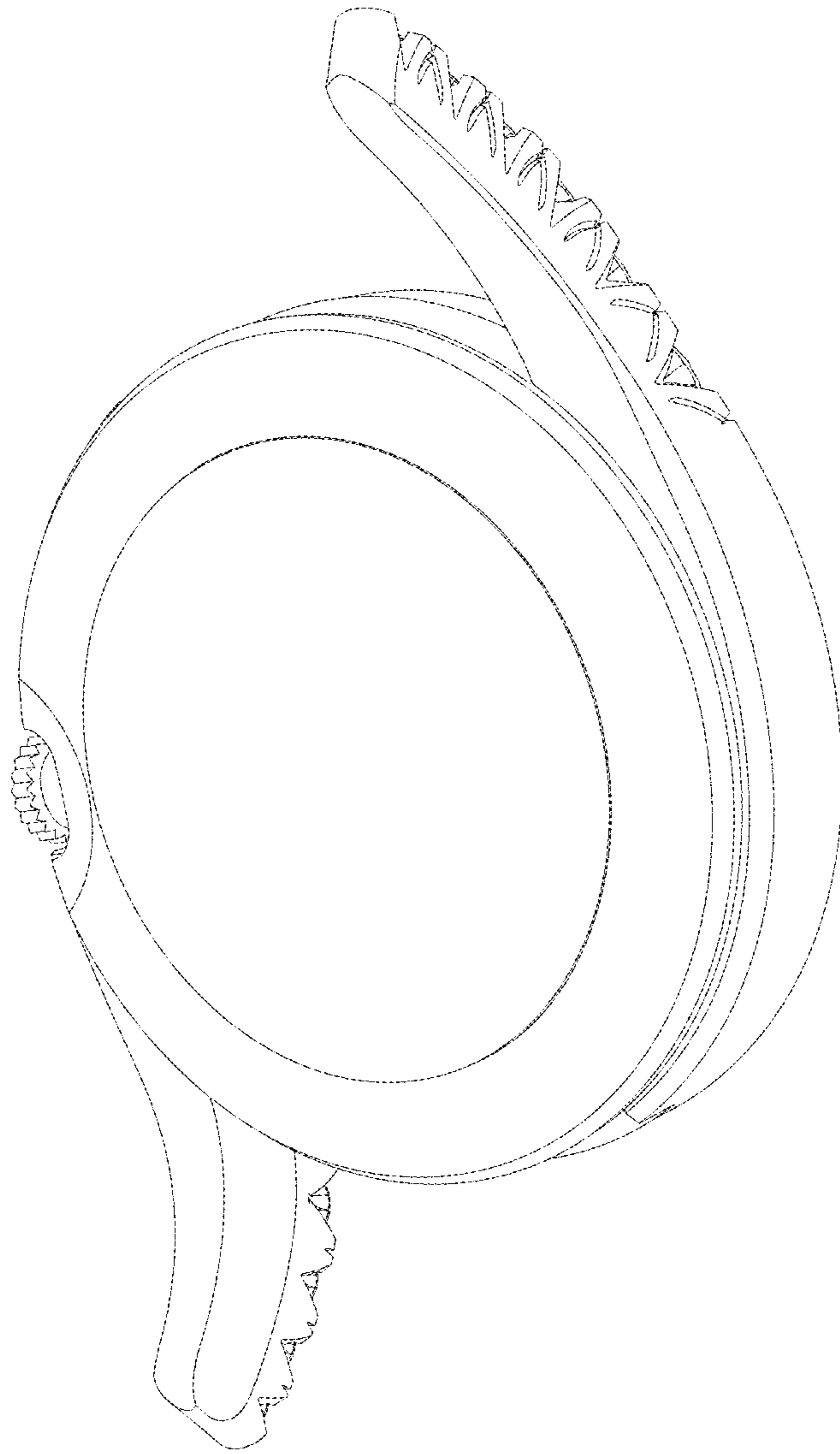


Fig. 8