



US00D917302S

(12) **United States Design Patent** (10) **Patent No.:** **US D917,302 S**  
**Georgiou** (45) **Date of Patent:** **\*\* Apr. 27, 2021**

(54) **COMBINED PUZZLE AND PACKAGING**  
(71) Applicant: **Paragonon Limited**, Middlesex (GB)  
(72) Inventor: **Petros Georgiou**, Limassol (CY)  
(73) Assignee: **PARAGONON LIMITED**, London (GB)  
(\*\*) Term: **15 Years**  
(21) Appl. No.: **29/750,777**  
(22) Filed: **Sep. 16, 2020**

(56) <b>References Cited</b>	
U.S. PATENT DOCUMENTS	
2,528,830 A *	11/1950 Iliff ..... B65D 5/38 229/108
D507,484 S *	7/2005 Kumakura ..... D9/418
D536,965 S *	2/2007 Levy ..... D9/430
D630,017 S *	1/2011 Graff ..... D3/316
D685,264 S *	7/2013 Lal ..... D9/430
D731,307 S *	6/2015 Short ..... D9/430
D859,146 S *	9/2019 Georgiou ..... D9/430
D896,072 S *	9/2020 Cohen ..... D9/431
D899,245 S *	10/2020 Mori ..... D9/430
D899,269 S *	10/2020 Georgiou ..... D9/721

**Related U.S. Application Data**

(62) Division of application No. 29/695,735, filed on Jun. 21, 2019, now Pat. No. Des. 899,269, which is a division of application No. 29/644,978, filed on Apr. 23, 2018, now Pat. No. Des. 859,146.

**OTHER PUBLICATIONS**

Rombi 36. [online] Retrieved Dec. 17, 20 from URL: <https://rombipuzzle.com/rombi-36/>.\*

\* cited by examiner

(30) **Foreign Application Priority Data**

Oct. 24, 2017	(EP)	001461982-0001
Oct. 24, 2017	(EP)	001461990-0001
Oct. 24, 2017	(EP)	004419505-0001
Oct. 24, 2017	(EP)	004419505-0002
Oct. 24, 2017	(EP)	004419505-0003
Oct. 24, 2017	(EP)	004419505-0004

*Primary Examiner* — Vy N Koenig

(74) *Attorney, Agent, or Firm* — Perry Hoffman

(51) **LOC (13) Cl.** ..... **09-03**

(52) **U.S. Cl.**  
USPC ..... **D9/721**; D9/430

(57) **CLAIM**

The ornamental design for a combined puzzle and packaging, as shown and described.

(58) **Field of Classification Search**

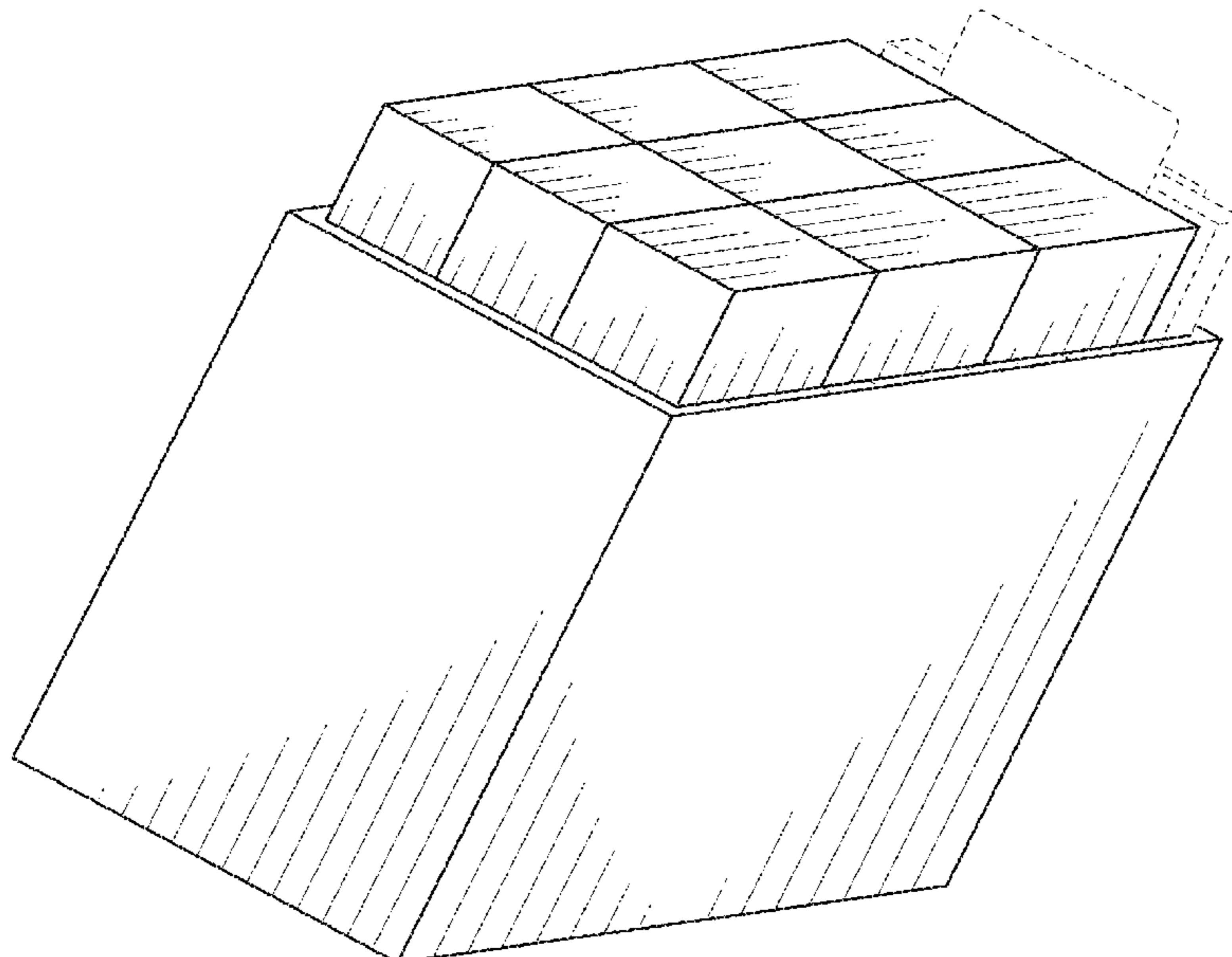
USPC ..... D9/414-423, 424-429, 430-433, 434, D9/456, 457, 711, 713, 721-722, 737, D9/756, 758, 759, 760; D3/272-274; D20/10, 22, 27, 40, 42  
CPC ... B65D 5/00; B65D 5/02; B65D 5/18; B65D 5/20

**DESCRIPTION**

FIG. 1 is a front perspective view of the combined puzzle and packaging of the instant invention; FIG. 2 is a front elevational view thereof; FIG. 3 is a rear elevational view thereof; FIG. 4 is a left side elevational view thereof; FIG. 5 is a right side elevational view thereof; FIG. 6 is a top view thereof; and, FIG. 7 is a bottom view thereof. The broken lines shown are included for the purpose of illustrating environmental subject matter and form no part of the claimed design.

See application file for complete search history.

**1 Claim, 4 Drawing Sheets**



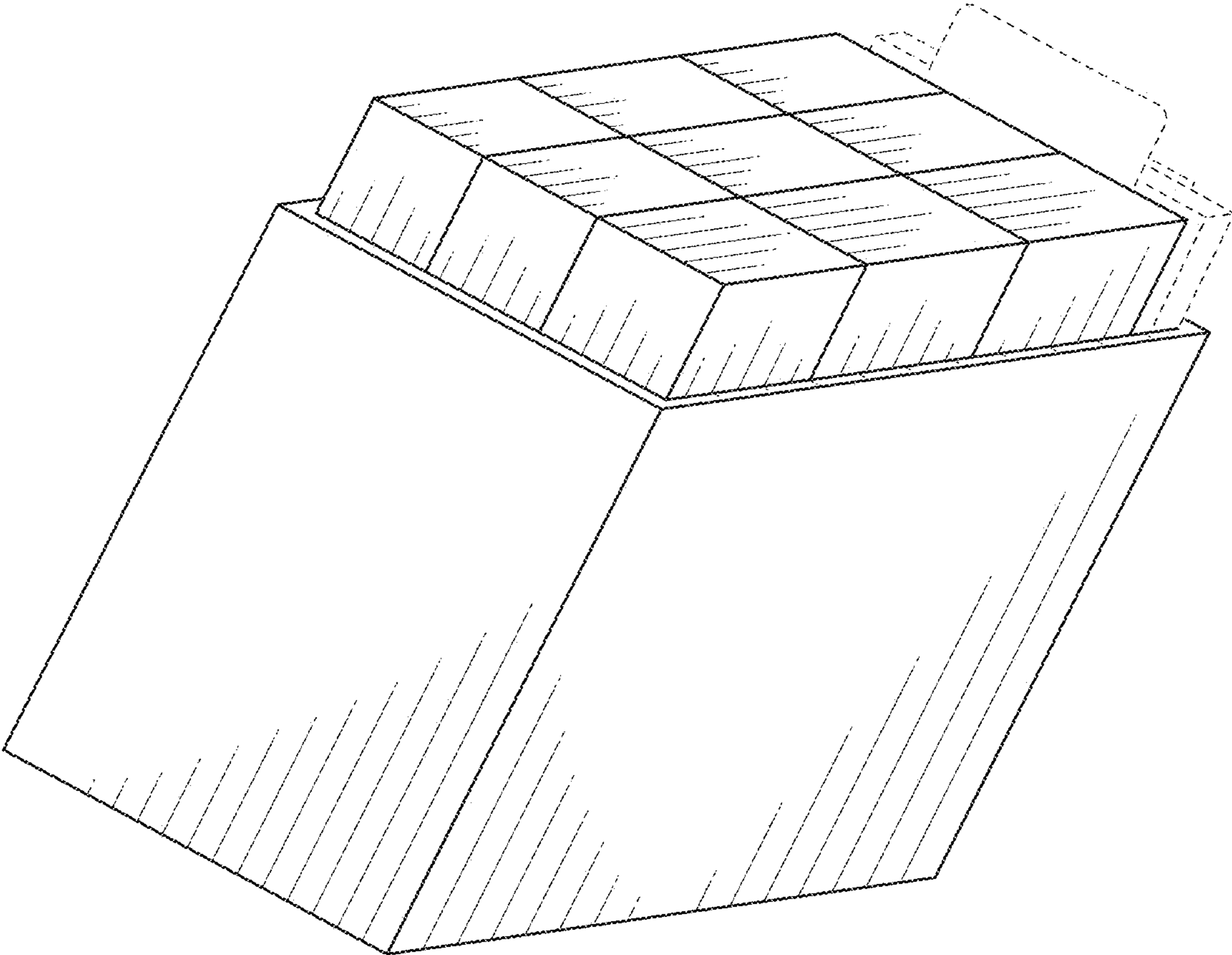


FIG. 1

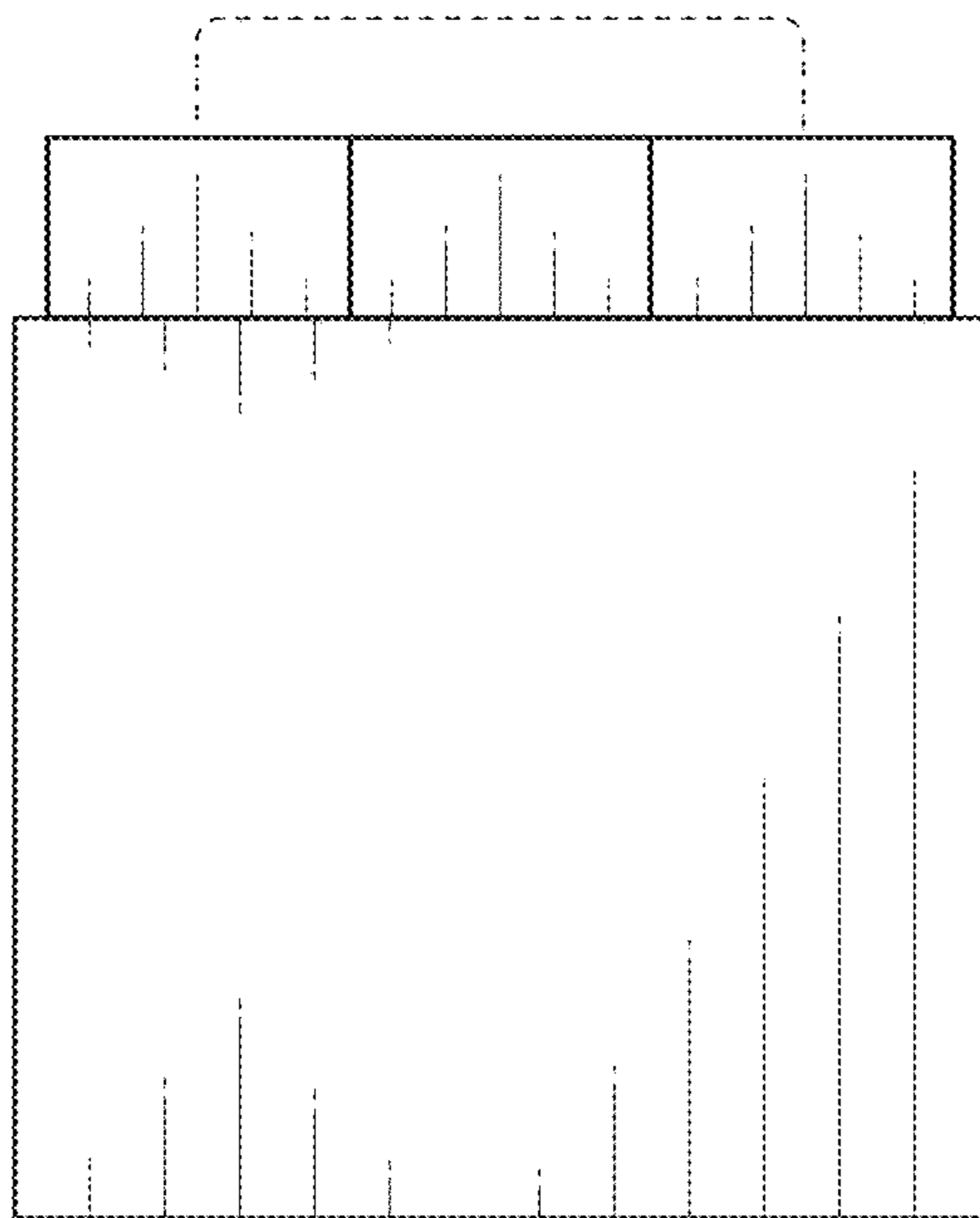


FIG. 2

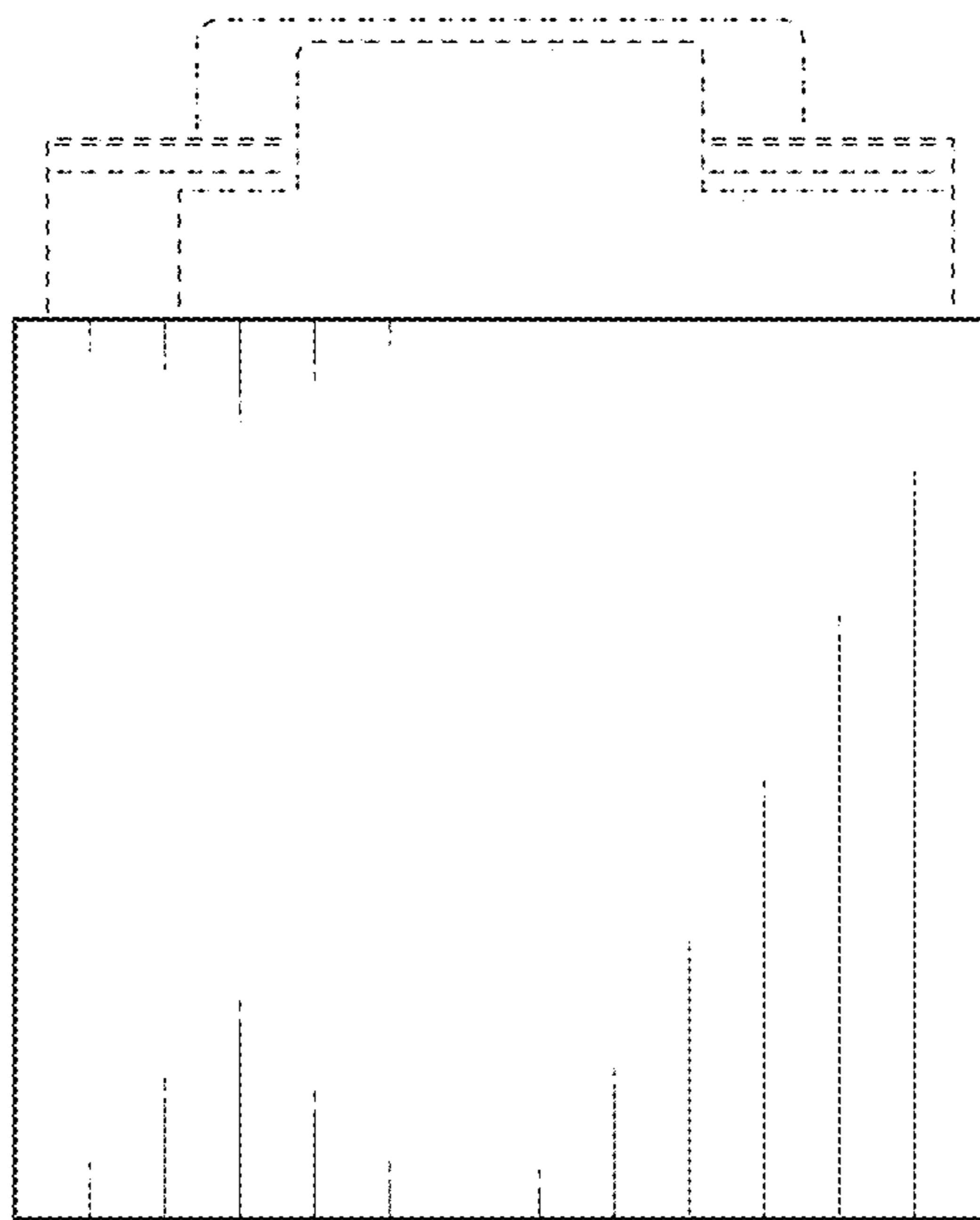


FIG. 3

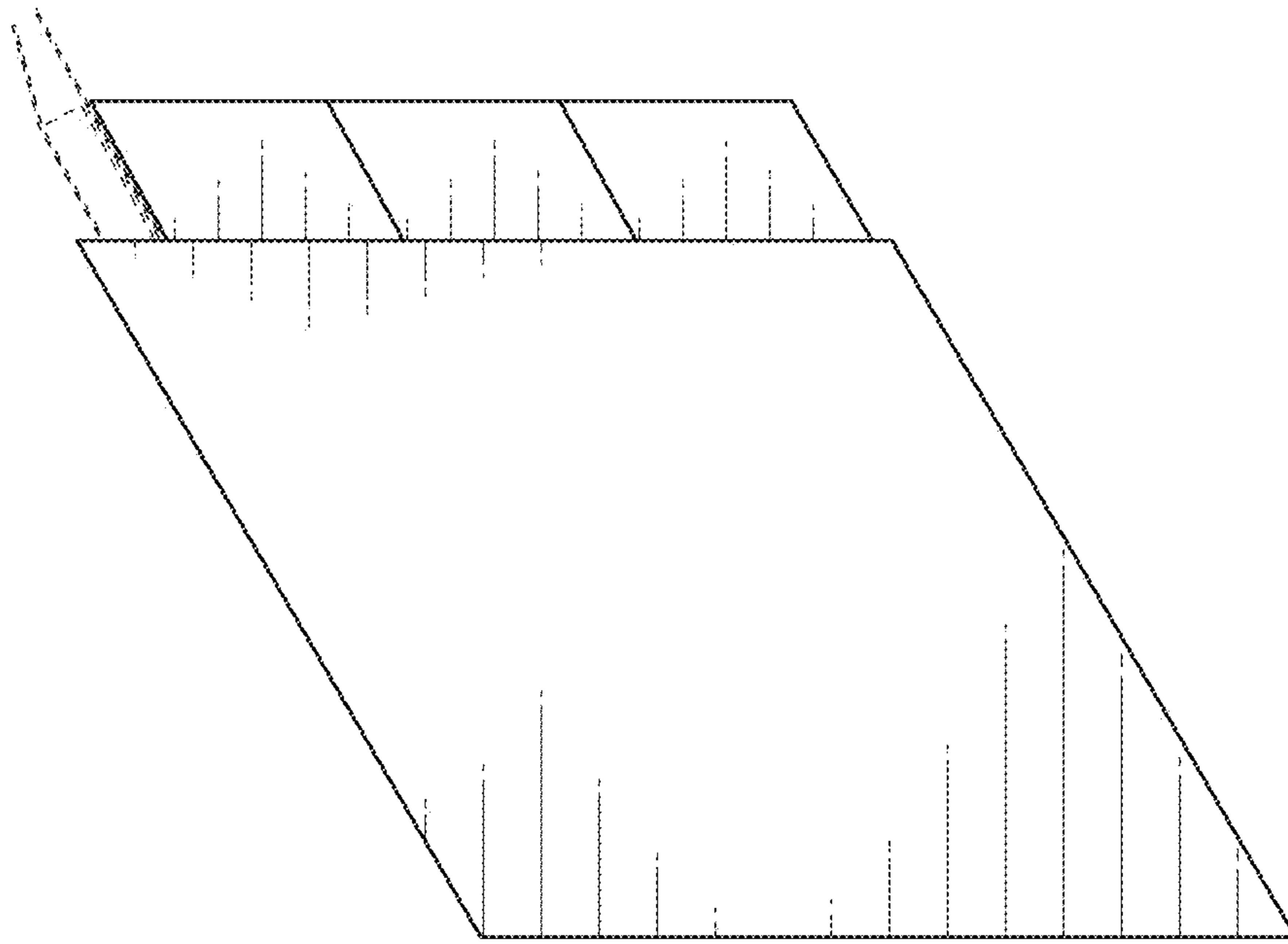


FIG. 4

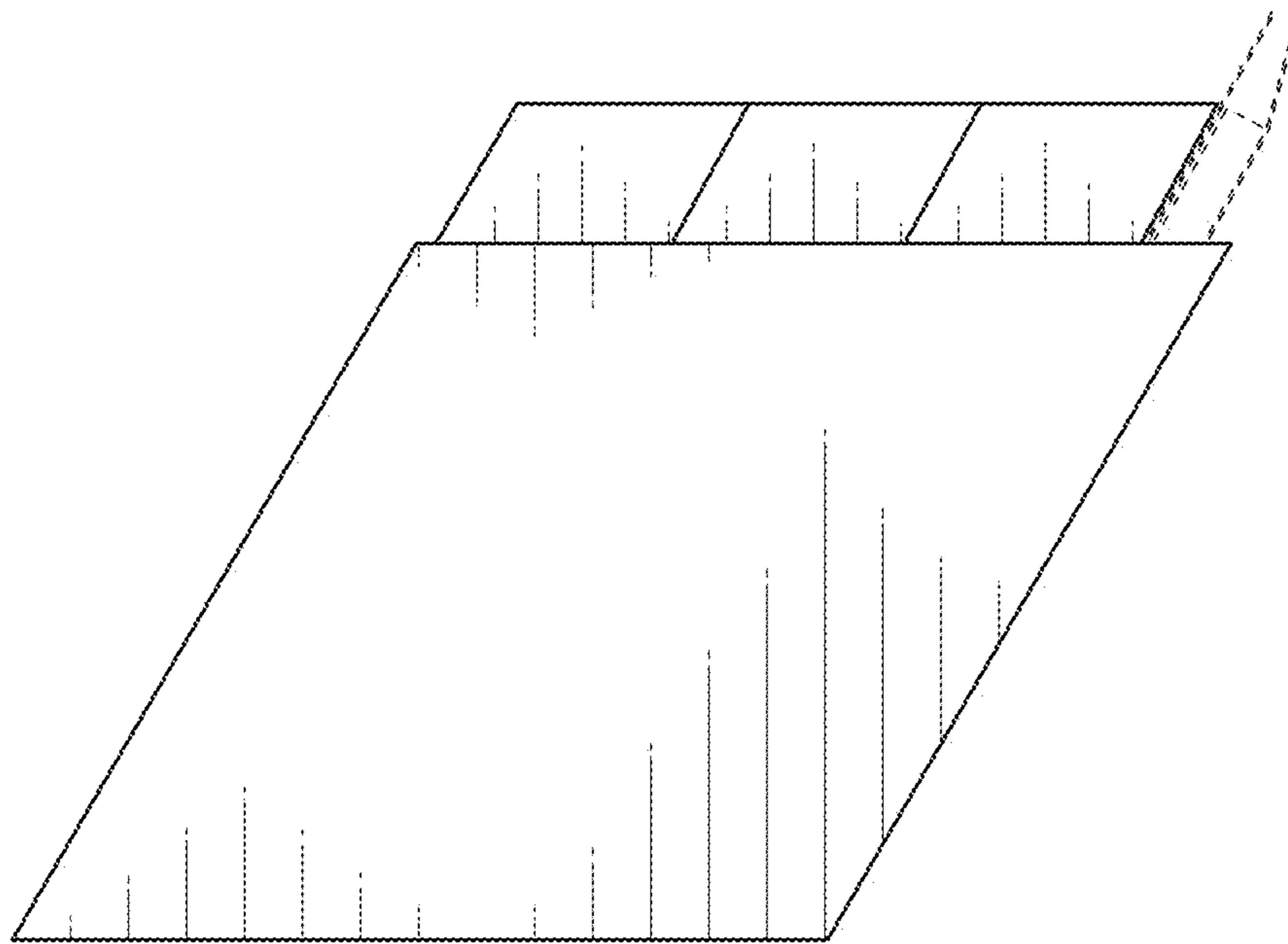


FIG. 5

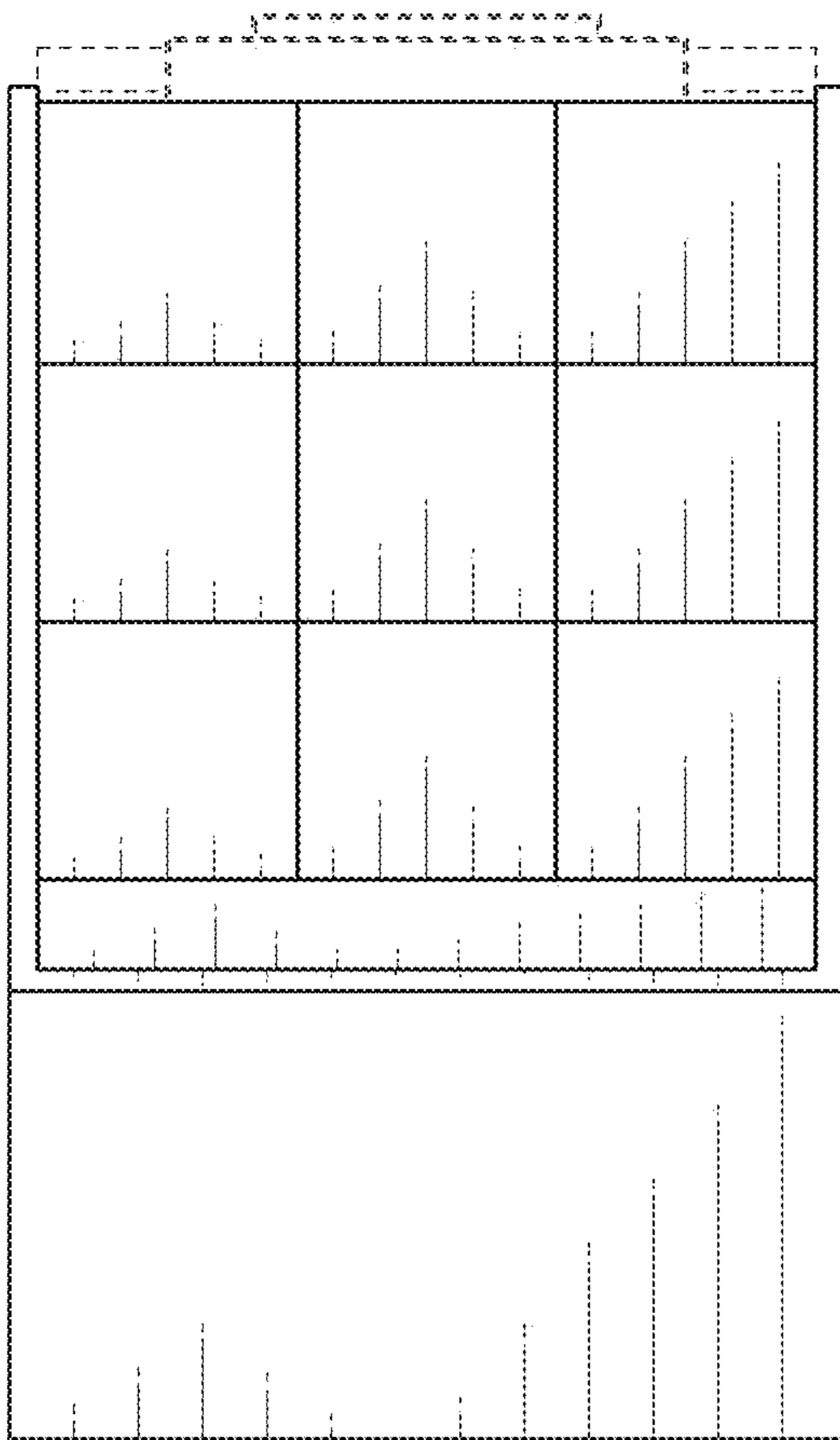


FIG. 6

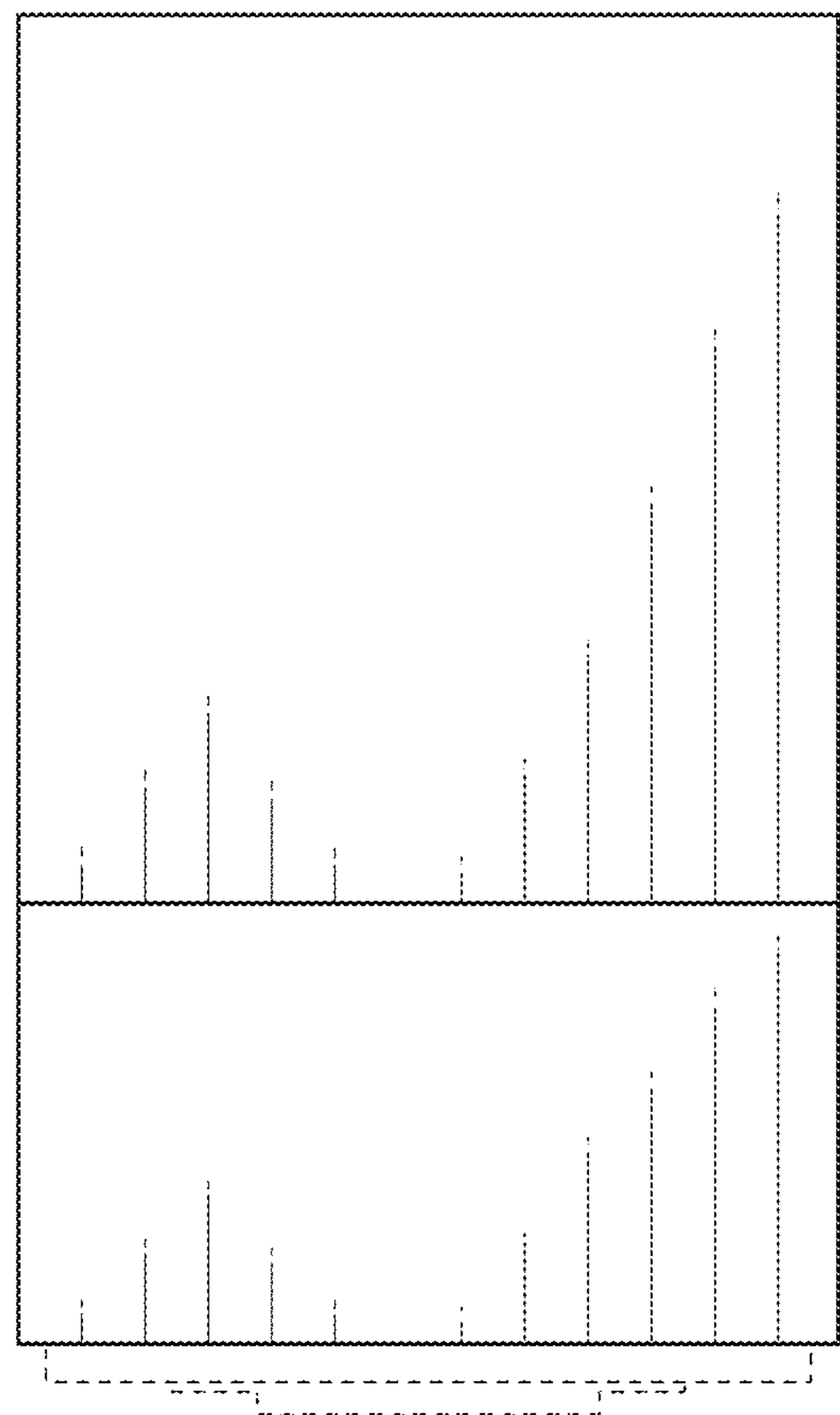


FIG. 7