



US00D917301S

(12) **United States Design Patent** (10) **Patent No.:** **US D917,301 S**
Park (45) **Date of Patent:** **** Apr. 27, 2021**

(54) **COSMETIC PACKAGING**

(71) Applicants: **Aisance Company Limited**, Bangkok (TH); **Cosmax (Thailand) Company Limited**, Samutprakarn Province (TH)
(72) Inventor: **Jae Hyun Park**, Samutprakarn (TH)
(73) Assignees: **AISANCE COMPANY LIMITED; COSMAX (THAILAND) COMPANY LIMITED**

(**) Term: **15 Years**

(21) Appl. No.: **29/671,959**

(22) Filed: **Nov. 30, 2018**

(51) **LOC (13) Cl.** **09-05**

(52) **U.S. Cl.**
USPC **D9/708**

(58) **Field of Classification Search**
USPC D9/702-714, 720-722, 414, 434-435, D9/696, 716, 771, 447, 516-517, D9/738-747, 544, 520-521; D24/118, D24/207, 108; 383/6, 9, 22, 96, 61.1, 383/80-81, 104, 901, 63, 203, 107, 383/119-120, 123, 61.2, 44; 220/675, 220/495.03; 215/381-385, 400, 328, 316; 206/484; D3/202; 428/34.3; 222/92, 222/215, 95, 107; 604/408, 403, 415
CPC ... B65D 1/00; B65D 1/02; B65D 1/09; B65D 1/10; B65D 1/32; B65D 1/0223; B65D 81/00; B65D 81/03; B65D 81/2084; B65D 81/3461; A47J 36/027

See application file for complete search history.

(56) **References Cited**

U.S. PATENT DOCUMENTS

D465,726 S *	11/2002	Tet	D9/708
D669,795 S *	10/2012	Larkin	D9/707
D676,763 S *	2/2013	Kenmotsu	D9/707
D688,139 S *	8/2013	Larkin	D9/709
D734,676 S *	7/2015	Kojime	D9/709
D775,532 S *	1/2017	Basson	D9/709
D814,313 S *	4/2018	Murray	D9/707

* cited by examiner

Primary Examiner — Abraham Bahta

(74) *Attorney, Agent, or Firm* — Kim IP Law Group PLLC

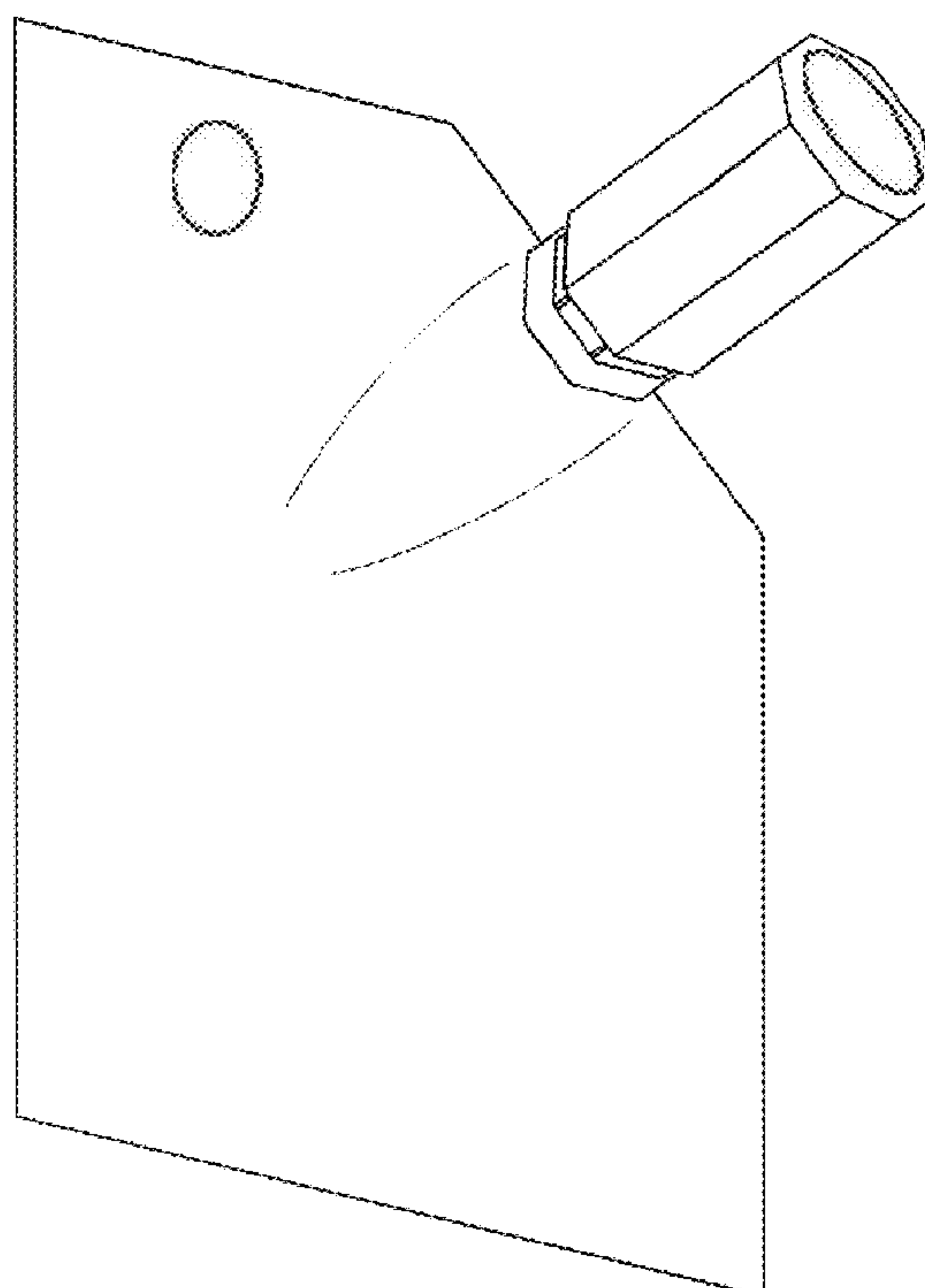
(57) **CLAIM**

The ornamental design for a cosmetic packaging, as shown and described.

DESCRIPTION

FIG. 1 is a perspective view of a cosmetic packaging in accordance with the new design;
FIG. 2 is a front view of the cosmetic packaging of FIG. 1;
FIG. 3 is a rear view of the cosmetic packaging of FIG. 1;
FIG. 4 is a right side perspective view of the cosmetic packaging of FIG. 1;
FIG. 5 is a left side perspective view of the cosmetic packaging of FIG. 1;
FIG. 6 is a bottom plan view of the cosmetic packaging of FIG. 1; and,
FIG. 7 is a top plan view of the cosmetic packaging of FIG. 1.

1 Claim, 4 Drawing Sheets



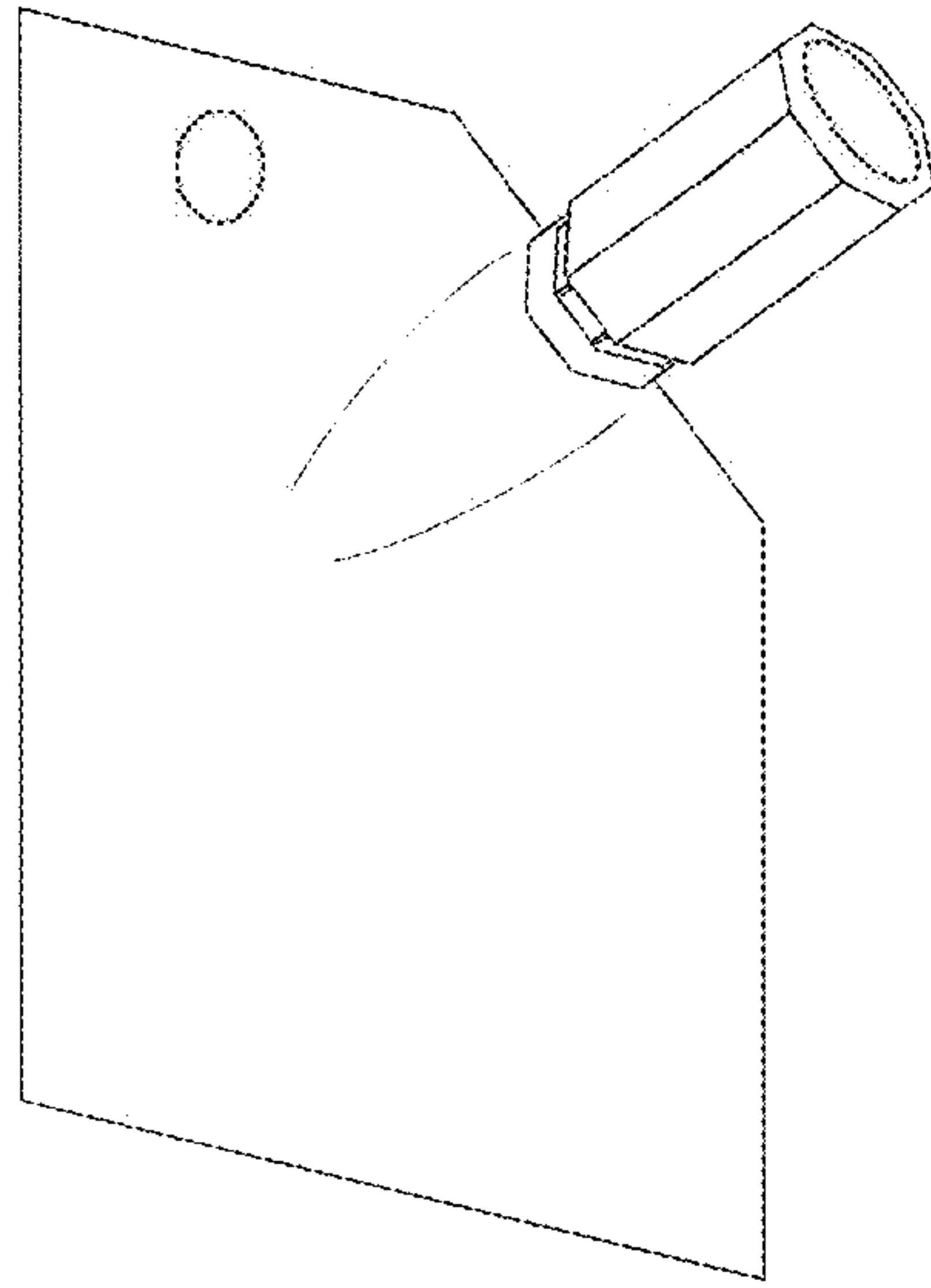


FIG. 1

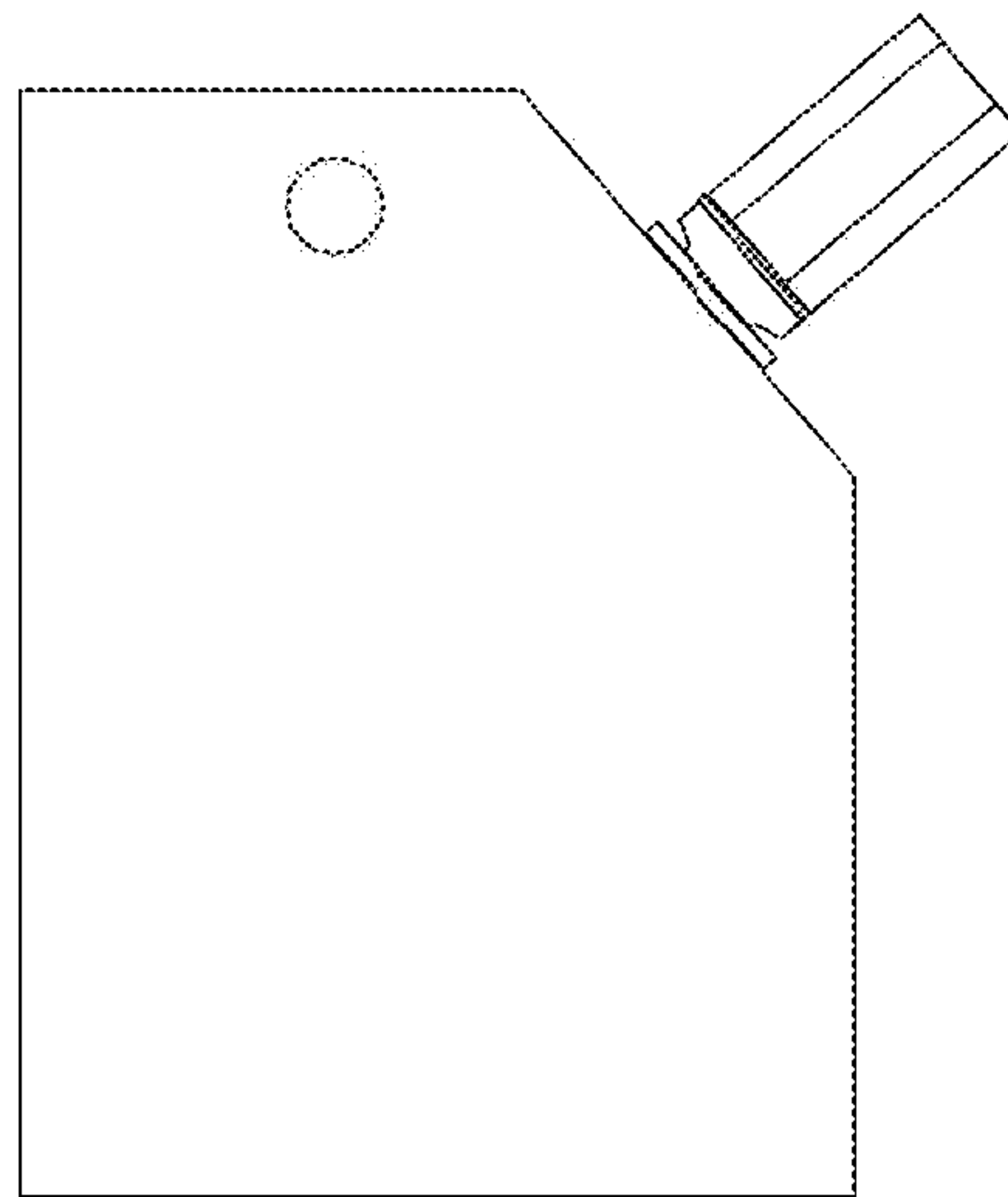


FIG. 2

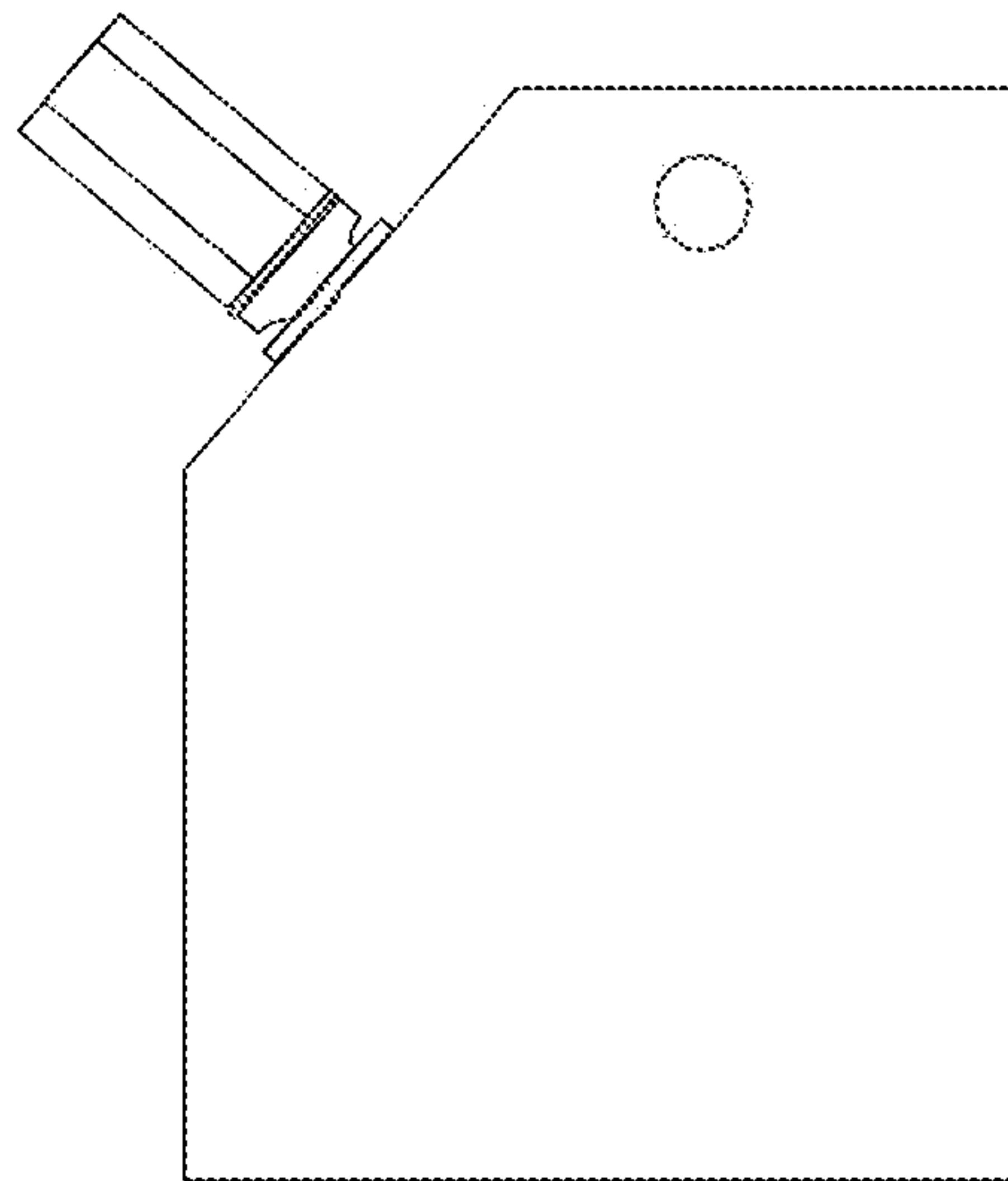


FIG. 3

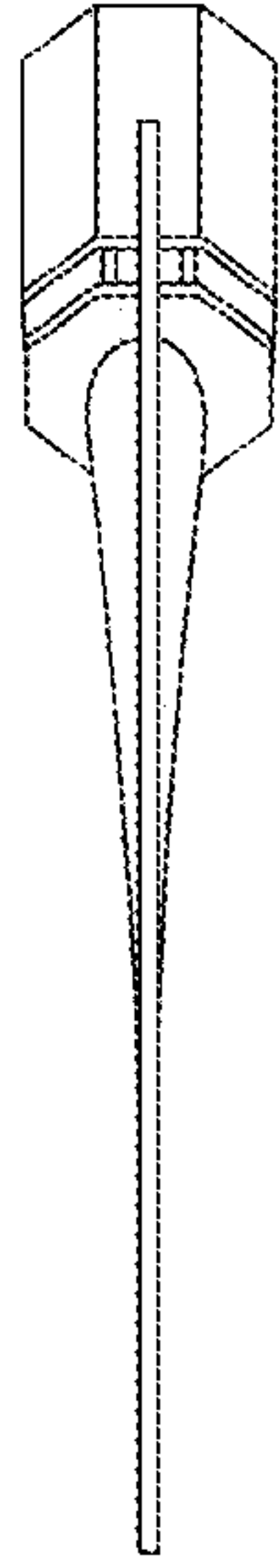


FIG. 4

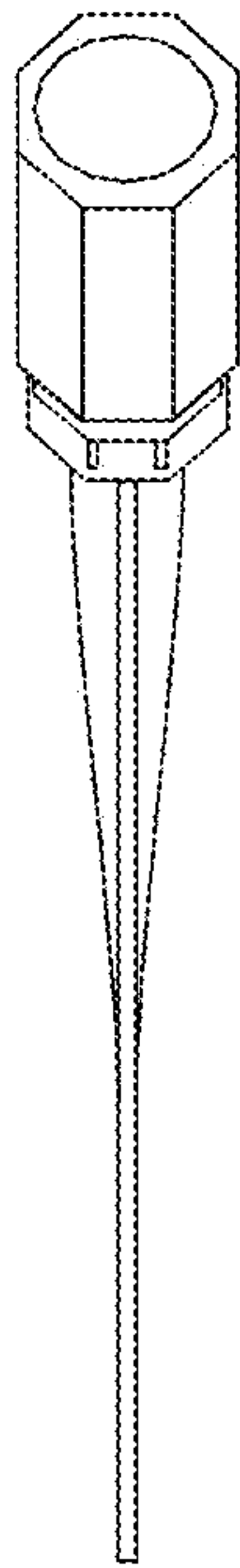


FIG. 5

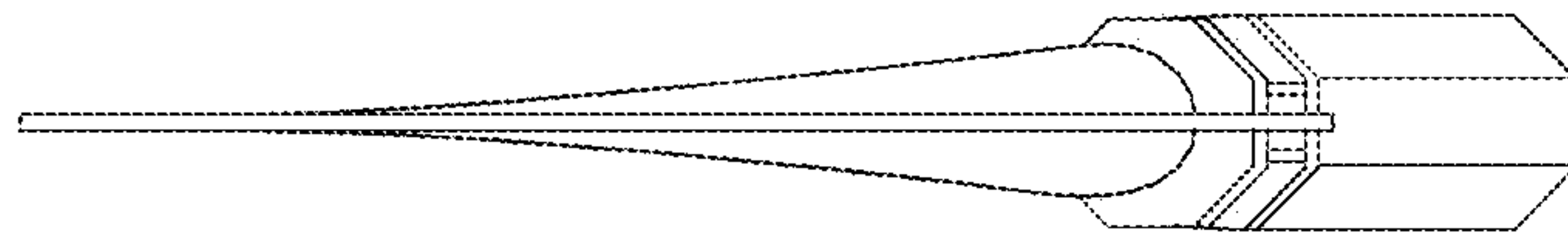


FIG. 6

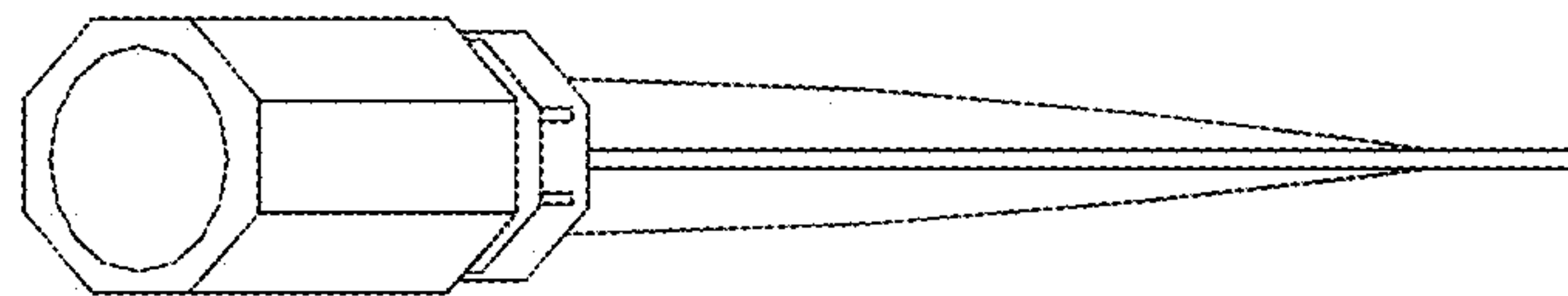


FIG. 7

UNITED STATES PATENT AND TRADEMARK OFFICE
CERTIFICATE OF CORRECTION

PATENT NO. : D917,301 S
APPLICATION NO. : 29/671959
DATED : April 27, 2021
INVENTOR(S) : Jae Hyun Park

Page 1 of 1

It is certified that error appears in the above-identified patent and that said Letters Patent is hereby corrected as shown below:

On the Title Page

Please add Item (30) Foreign Application Priority Data:

-- September 19, 2018 (TH)1802003980 --

Signed and Sealed this
Twenty-ninth Day of June, 2021



Drew Hirshfeld
*Performing the Functions and Duties of the
Under Secretary of Commerce for Intellectual Property and
Director of the United States Patent and Trademark Office*