



US00D917299S

(12) **United States Design Patent**
Lozano

(10) **Patent No.:** **US D917,299 S**
(45) **Date of Patent:** **** Apr. 27, 2021**

- (54) **BOAT-SHAPED RECEPTACLE**
- (71) Applicant: **Rafael Augusto Lozano**, Orlando, FL (US)
- (72) Inventor: **Rafael Augusto Lozano**, Orlando, FL (US)
- (**) Term: **15 Years**
- (21) Appl. No.: **29/701,556**
- (22) Filed: **Aug. 13, 2019**
- (51) **LOC (13) Cl.** **09-01**
- (52) **U.S. Cl.**
USPC **D9/678; D21/542**
- (58) **Field of Classification Search**
USPC D3/202, 270, 271.1-271.11;
D7/301-303, 509-511, 514-521, 529,
D7/594, 599, 604, 613, 619.2, 623, 628;
D9/600, 672, 678, 500, 516, 572-575;
206/457, 459.5, 527; 215/381-384, 400;
D21/542-547
CPC B65D 5/42; B65D 5/4258; B65D 81/60;
B65D 81/365; B65D 81/366; B65D
81/368; B65D 2203/00; B65D 2203/02;
B65D 5/4208; B65D 77/00; B65D 67/00;
A63H 33/16
See application file for complete search history.

D88,269 S *	11/1932	Taylor	D9/678
D143,614 S *	1/1946	Millstein	D9/678
D164,056 S *	7/1951	Pasta	D7/556
D167,605 S *	9/1952	Bang	D9/603
D175,167 S *	7/1955	Hubbard	D7/556
D178,263 S *	7/1956	Picciano	D9/678
D207,244 S *	3/1967	Burnsworth	D9/678
D209,628 S *	12/1967	Burnsworth	D9/678
D249,218 S *	9/1978	Mathison	D7/571
4,512,512 A *	4/1985	Fleming	B65D 5/36 D9/678
D338,284 S *	8/1993	Barreto, III	D21/542
D411,348 S *	6/1999	Schroeder	D21/542
D510,778 S *	10/2005	Angeletta	D9/678
D851,454 S *	6/2019	Lefkowitz	D9/678

* cited by examiner

Primary Examiner — Sandra L Morris
(74) *Attorney, Agent, or Firm* — John Rizvi; John Rizvi, P.A. — The Patent Professor®

(57) **CLAIM**

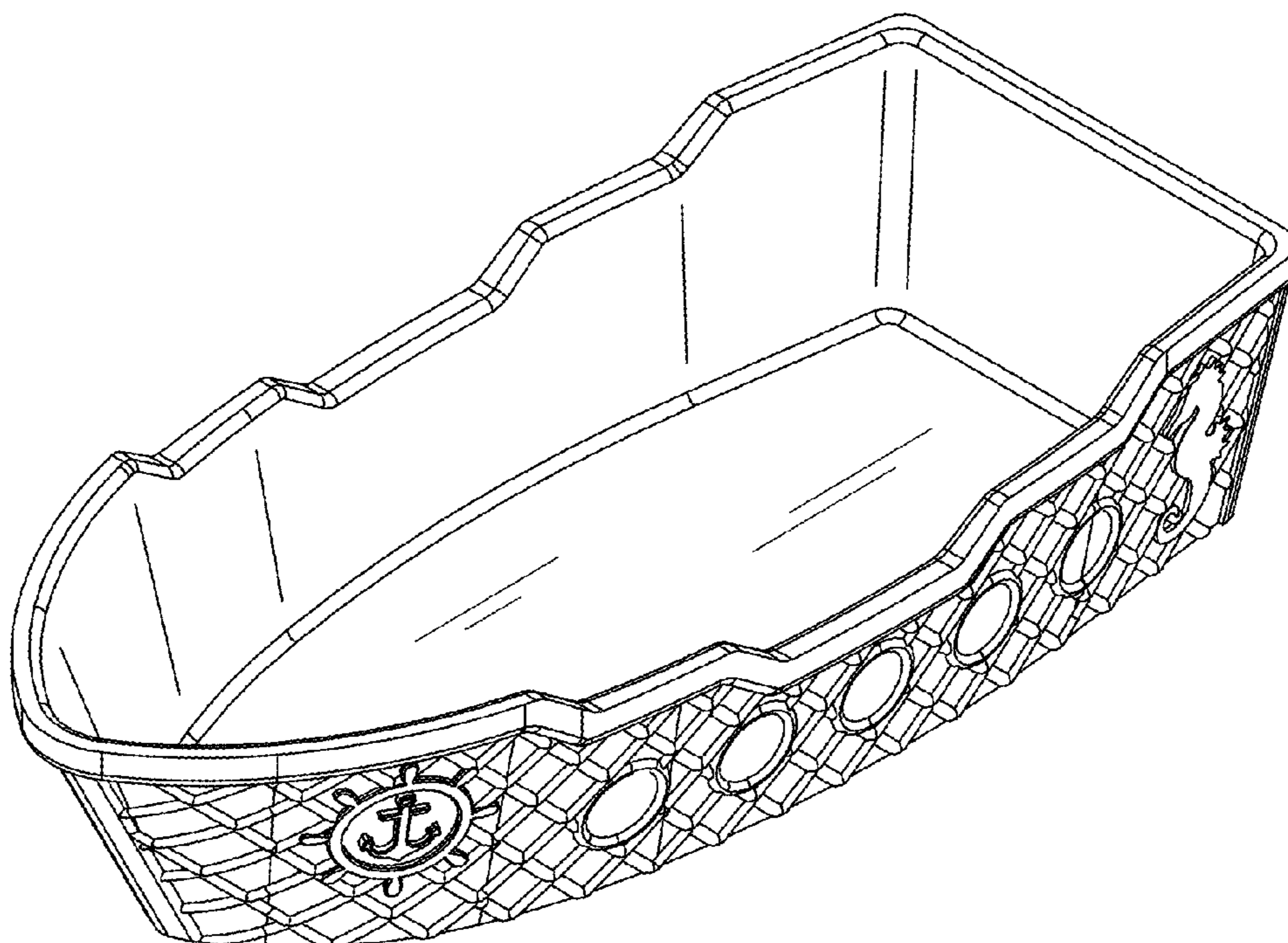
I claim the ornamental design for a boat-shaped receptacle, as shown and described.

DESCRIPTION

FIG. 1 is a top front isometric view of a boat-shaped receptacle showing my new design;
FIG. 2 is a bottom rear isometric view thereof;
FIG. 3 is a front elevation view thereof;
FIG. 4 is a rear elevation view thereof;
FIG. 5 is a right side elevation view thereof;
FIG. 6 is a left side elevation view thereof;
FIG. 7 is a top plan view thereof; and,
FIG. 8 is a bottom plan view thereof.

1 Claim, 6 Drawing Sheets

- (56) **References Cited**
U.S. PATENT DOCUMENTS
D12,414 S * 8/1881 Lackner D9/678
D39,802 S * 2/1909 Pease D9/678
D83,215 S * 2/1931 Rimmer D21/542



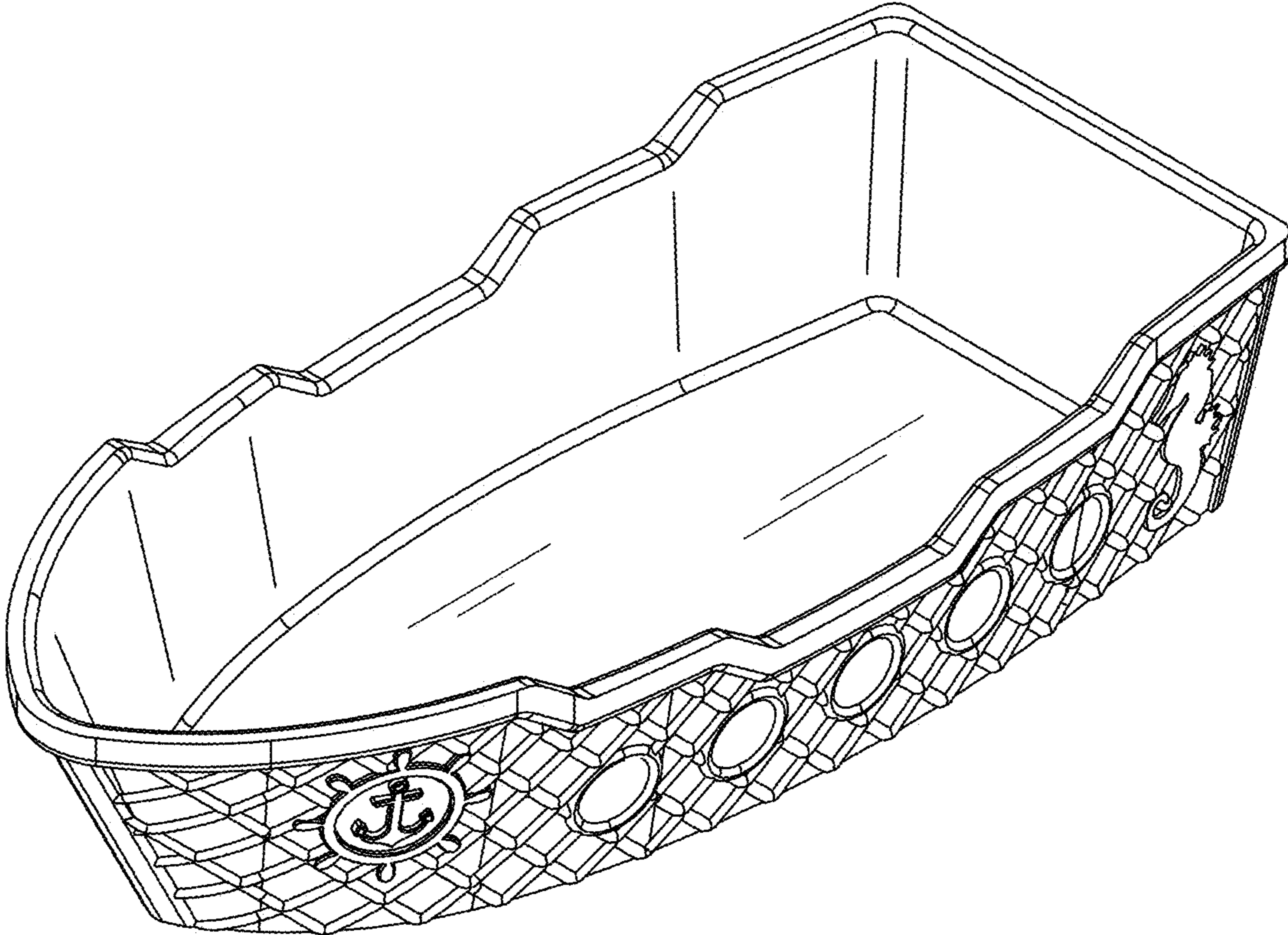


FIG. 1

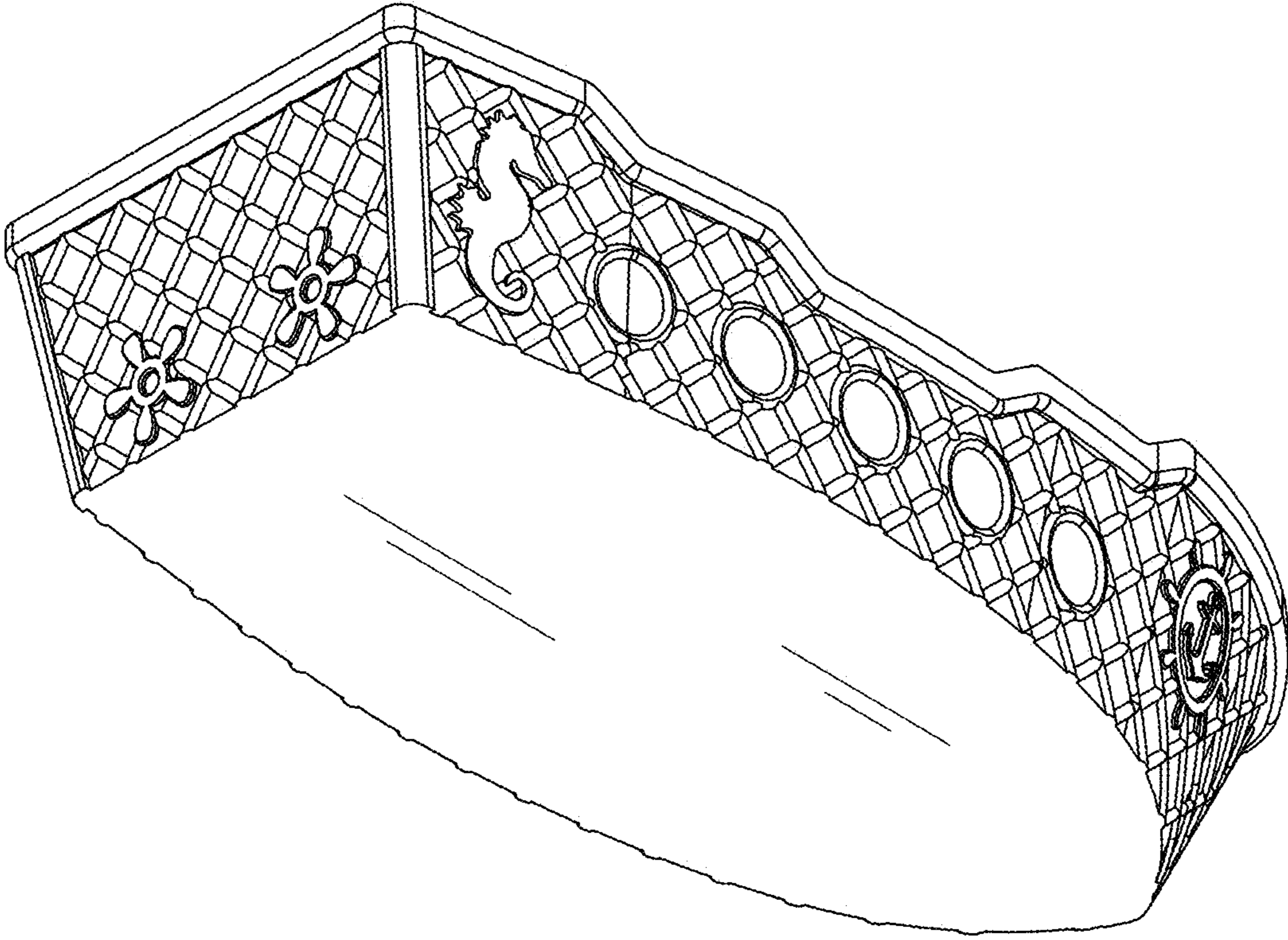


FIG. 2

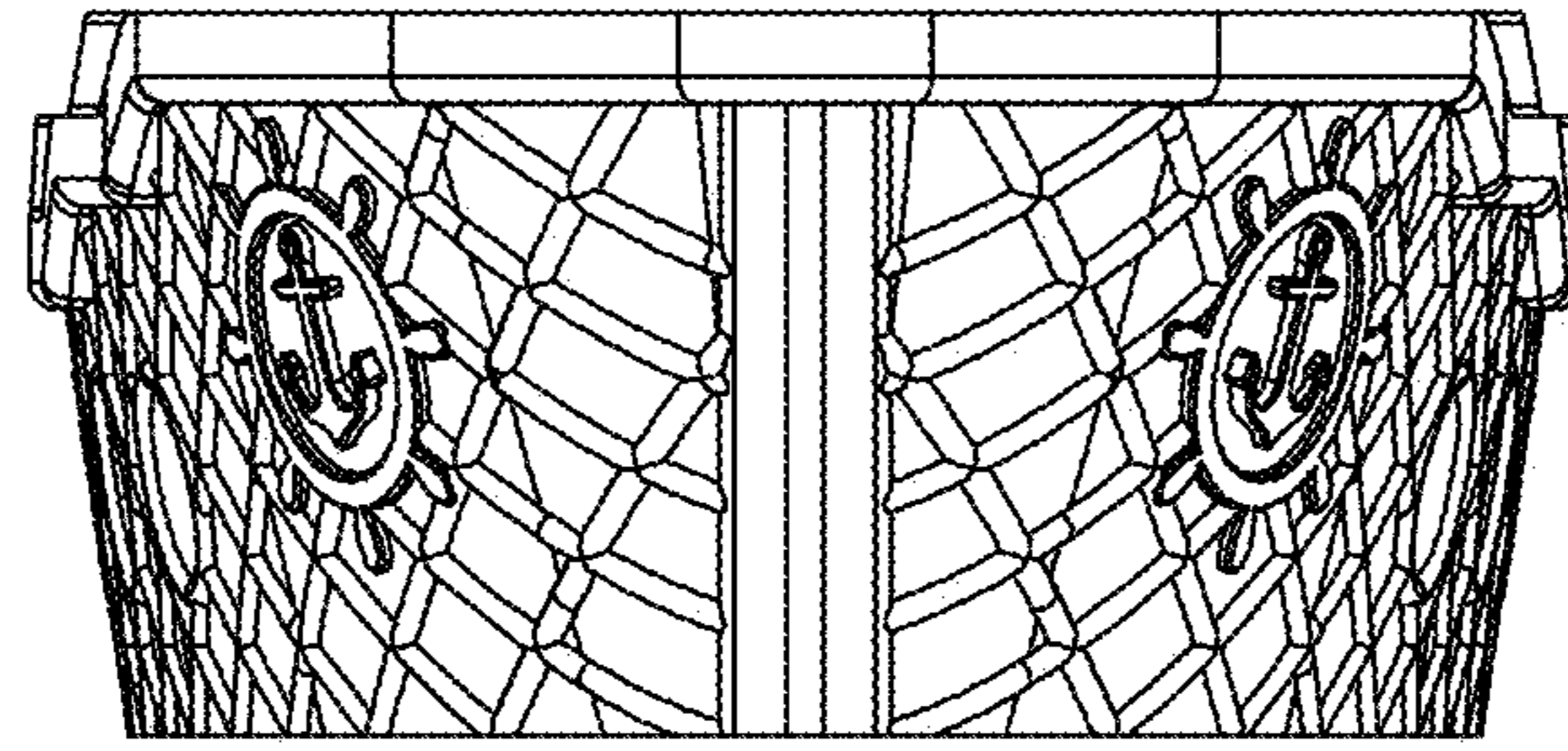


FIG. 3

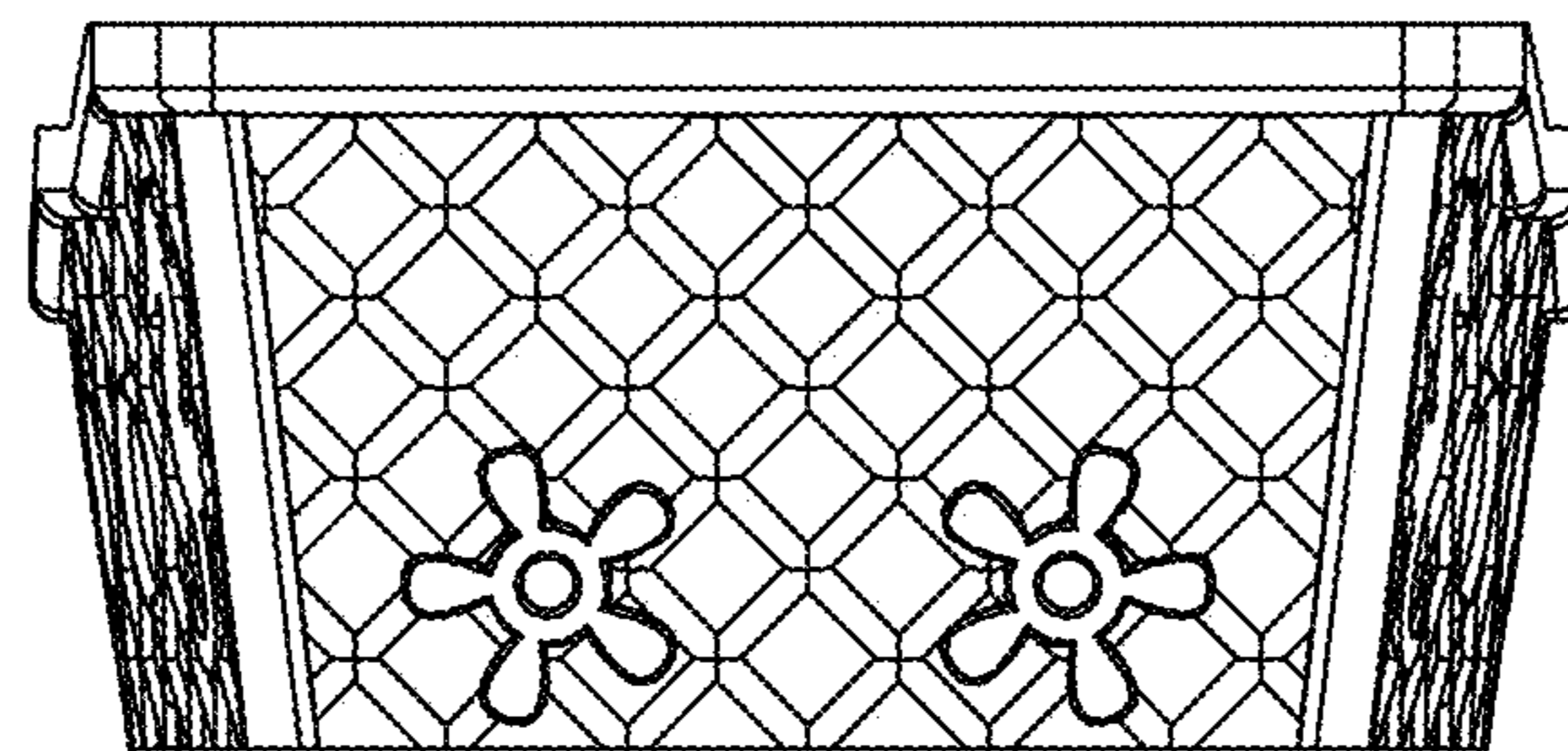


FIG. 4

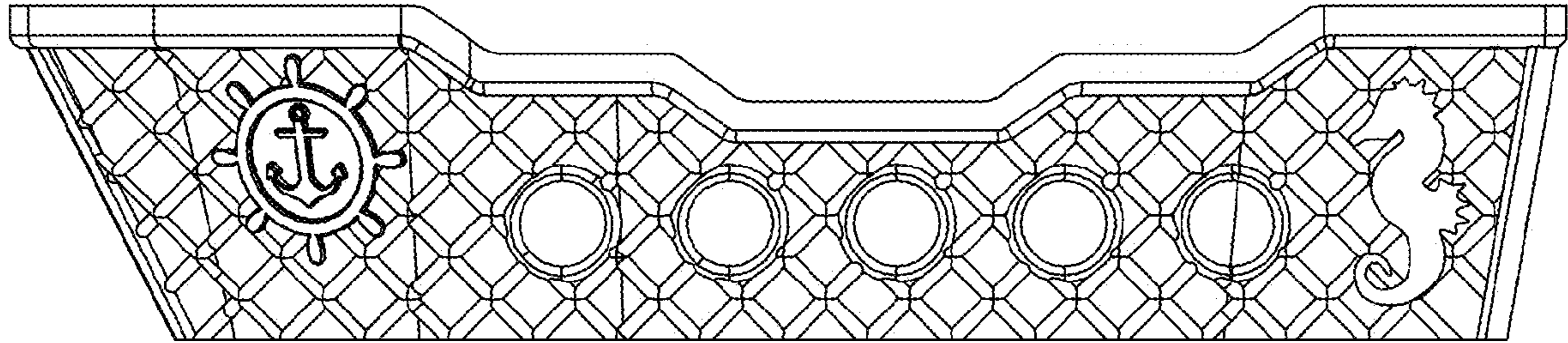


FIG. 5

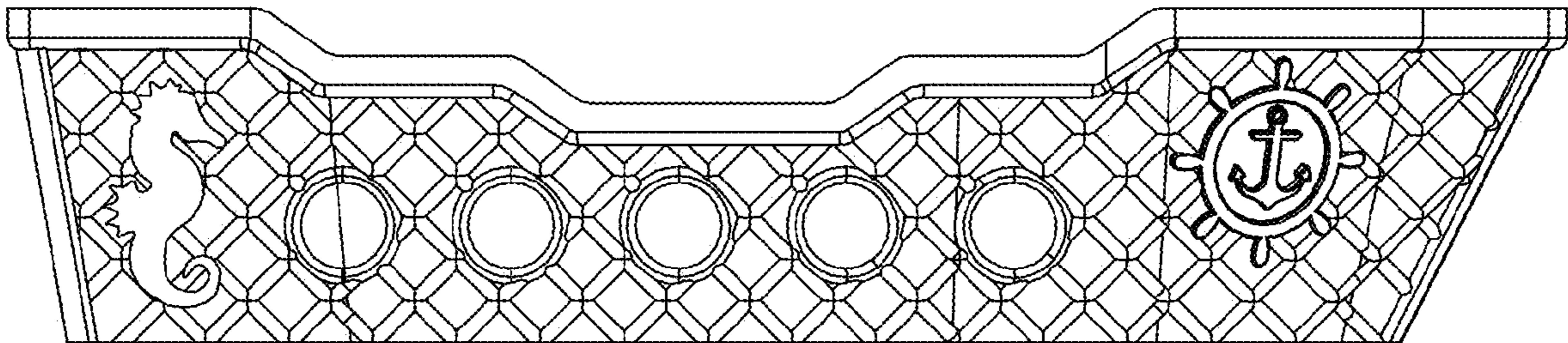


FIG. 6

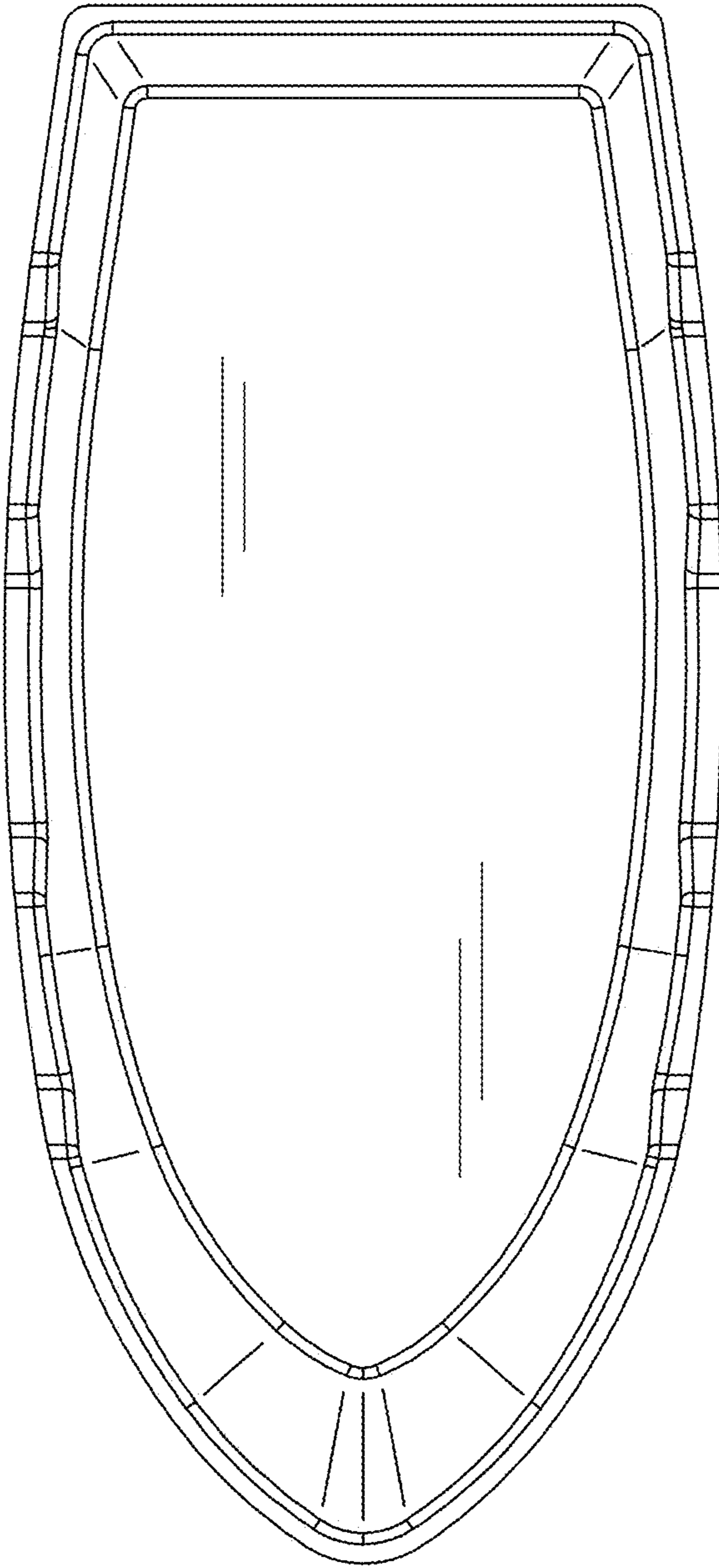


FIG. 7

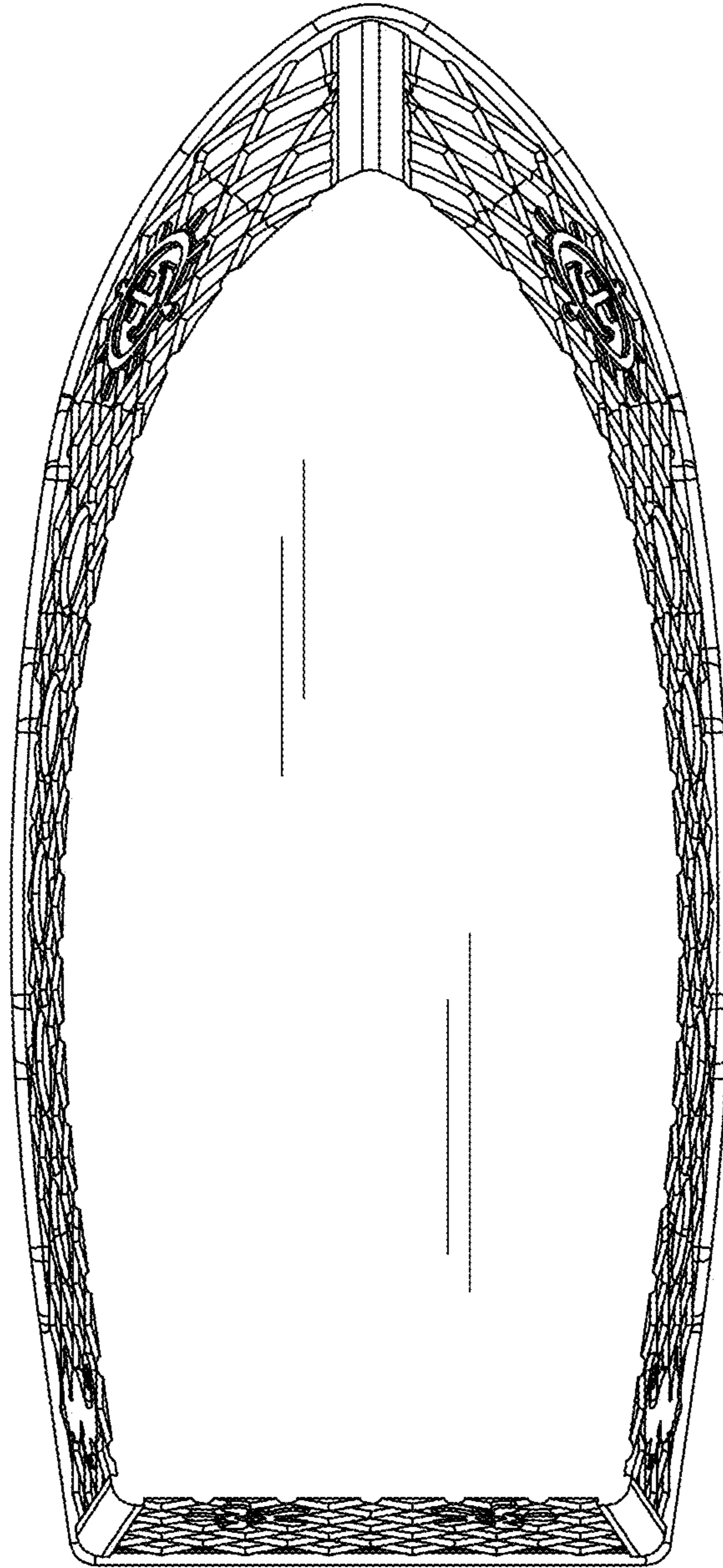


FIG. 8