



US00D917297S

(12) **United States Design Patent** (10) **Patent No.:** **US D917,297 S**
Sager (45) **Date of Patent:** **** Apr. 27, 2021**

(54) **WATER BOTTLE**
(71) Applicant: **Robert David Sager**, Manhattan, KS
(US)
(72) Inventor: **Robert David Sager**, Manhattan, KS
(US)
(**) Term: **15 Years**
(21) Appl. No.: **29/749,455**
(22) Filed: **Sep. 4, 2020**

5,736,170 A * 4/1998 Stoner B29C 49/70
425/522
D447,944 S * 9/2001 Justice D21/499
D581,271 S * 11/2008 Laupie D9/500
D699,792 S * 2/2014 Hwang D21/499
D715,159 S * 10/2014 Weiss D7/509
D715,160 S * 10/2014 Weiss D7/509
D715,161 S * 10/2014 Weiss D7/509
D716,152 S * 10/2014 Weiss D7/509
D716,669 S * 11/2014 Weiss D7/509
D718,392 S * 11/2014 Weiss D21/500
D718,394 S * 11/2014 Weiss A63H 33/086
D21/500
9,290,300 B2 * 3/2016 Hendrickson B65D 23/00
D794,467 S * 8/2017 Hendrickson D9/559
D809,935 S * 2/2018 Weiss D9/743
2004/0116037 A1 * 6/2004 Garpow A63H 33/08
446/74
2006/0000740 A1 * 1/2006 Sigur B65D 21/0231
206/509

Related U.S. Application Data

(63) Continuation-in-part of application No. 29/646,380,
filed on May 3, 2018, now abandoned.
(51) **LOC (13) Cl.** **09-01**
(52) **U.S. Cl.**
USPC **D9/575**
(58) **Field of Classification Search**
USPC D9/453, 454, 516, 520, 521, 544, 546,
D9/559, 560, 563, 564, 572-575, 715,
D9/719, 743-745
CPC B65D 21/0204; B65D 21/02; B65D
21/0213; B65D 25/20; B65D 47/061;
B65D 47/2062; B65D 1/0253; B65D
51/20; B65D 77/30; B65D 2577/2058;
B65D 2501/0081; B65D 2251/0093;
B65D 2251/0015
See application file for complete search history.

(Continued)

Primary Examiner — Holly E Thurman
(74) *Attorney, Agent, or Firm* — Aronberg Goldgehn
Davis & Garmisa

(57) **CLAIM**

The ornamental design for a water bottle, as shown and described.

DESCRIPTION

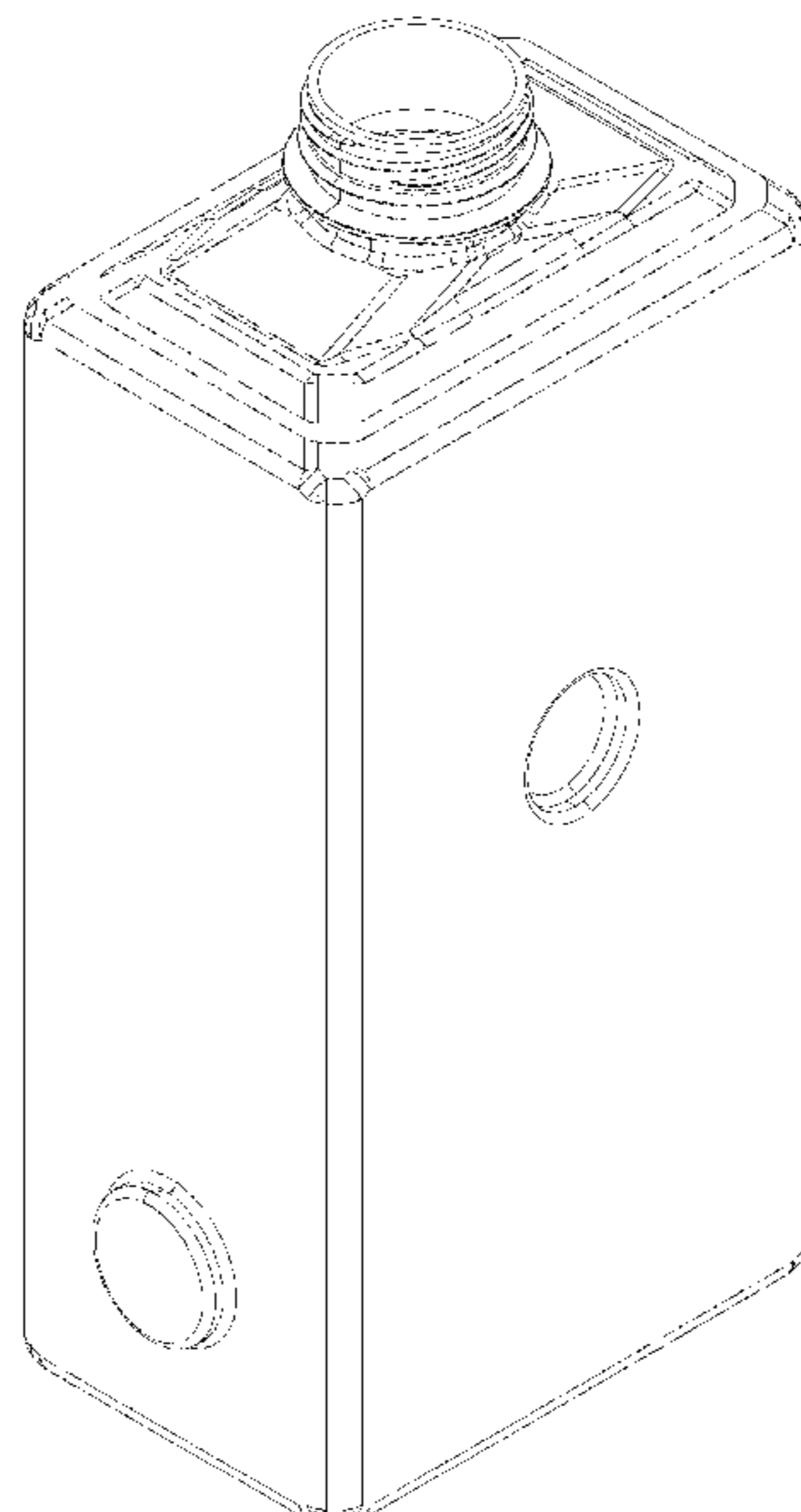
FIG. 1 is a perspective view of a water bottle showing my new design;
FIG. 2 is a front elevation view thereof;
FIG. 3 is a rear elevation view thereof;
FIG. 4 is a left side elevation view thereof;
FIG. 5 is a right side elevation view thereof
FIG. 6 is a top plan view thereof; and,
FIG. 7 is a bottom plan view thereof.
The broken lines in the drawings showing of the water bottle illustrate the portions of the water bottle that form no part of the claimed design.

1 Claim, 7 Drawing Sheets

(56) **References Cited**

U.S. PATENT DOCUMENTS

4,671,412 A * 6/1987 Gatten B65D 21/0235
206/504
D317,719 S * 6/1991 Hestehave D9/523
D341,781 S * 11/1993 Sanyal D9/516
D371,281 S * 7/1996 Credle, Jr. D21/500



(56)

References Cited

U.S. PATENT DOCUMENTS

2006/0255000 A1* 11/2006 Quintana B65D 1/0246
215/10
2006/0261063 A1* 11/2006 Dyehouse B65D 21/0204
220/23.4
2007/0114200 A1* 5/2007 Lane B65D 1/023
215/10
2009/0045157 A1* 2/2009 Panchai B65D 21/0204
215/10
2009/0090647 A1* 4/2009 Panchai B65D 21/0204
206/504
2014/0335753 A1* 11/2014 Weiss B65D 21/0204
446/71

* cited by examiner

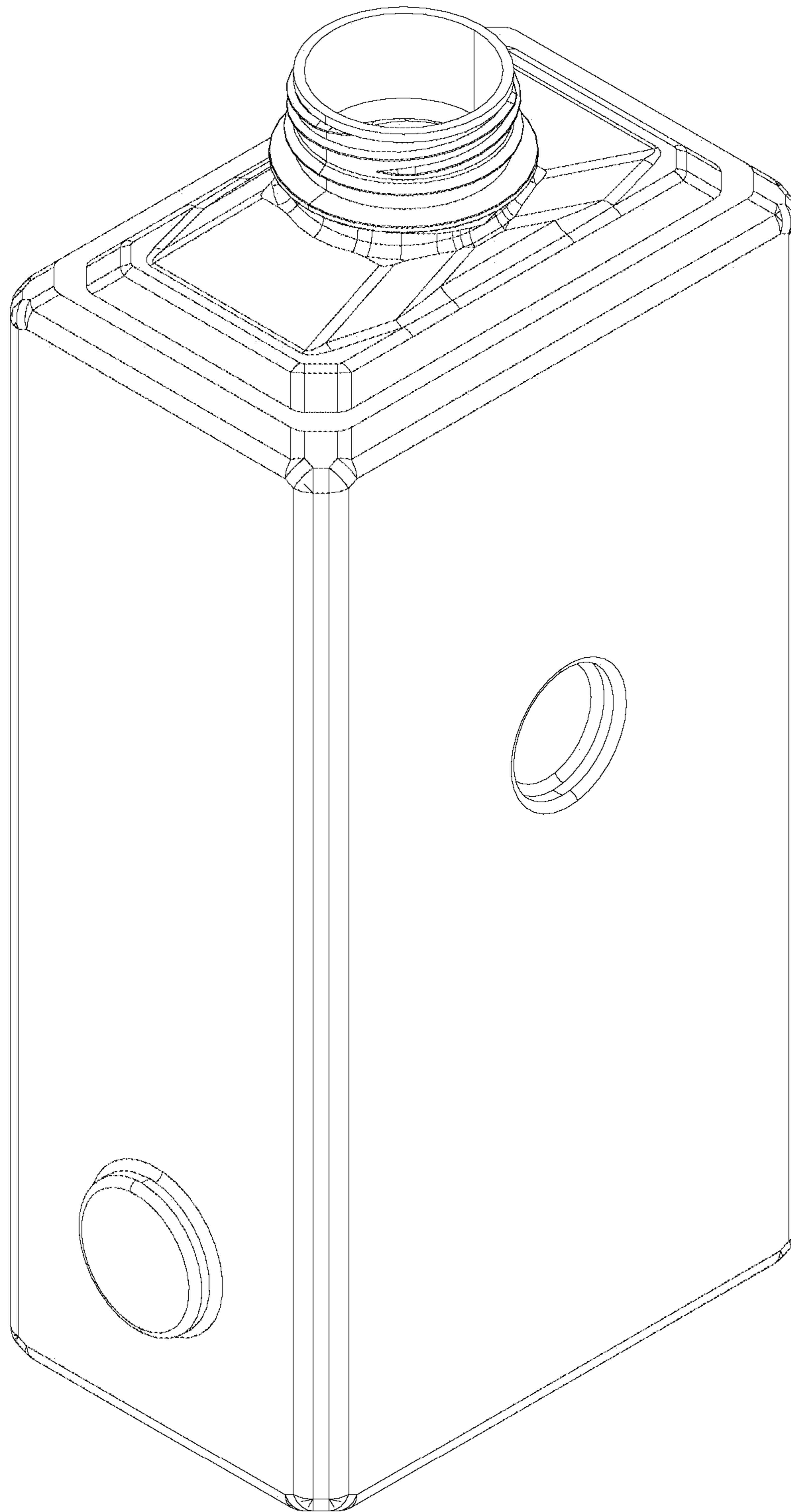


FIG. 1

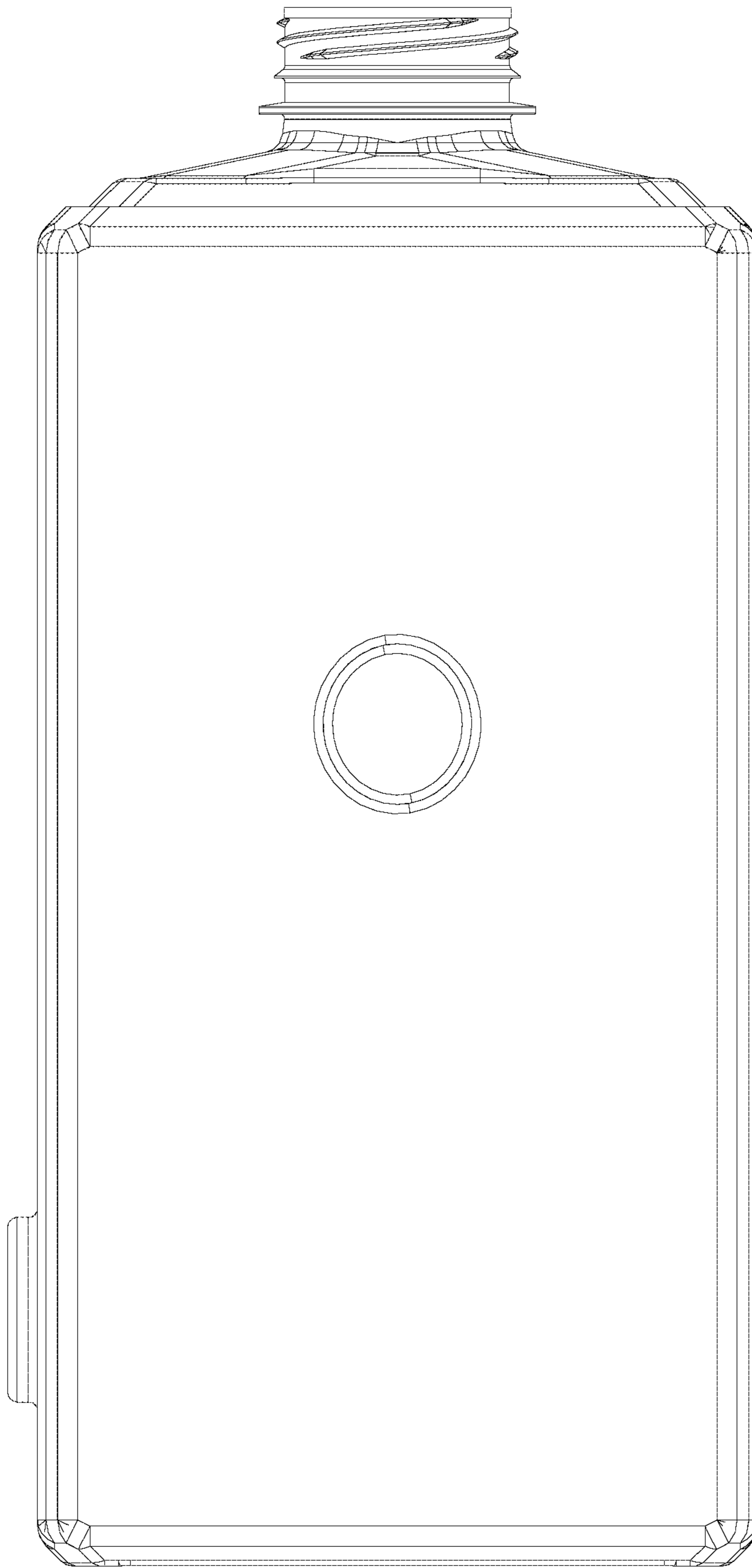


FIG. 2

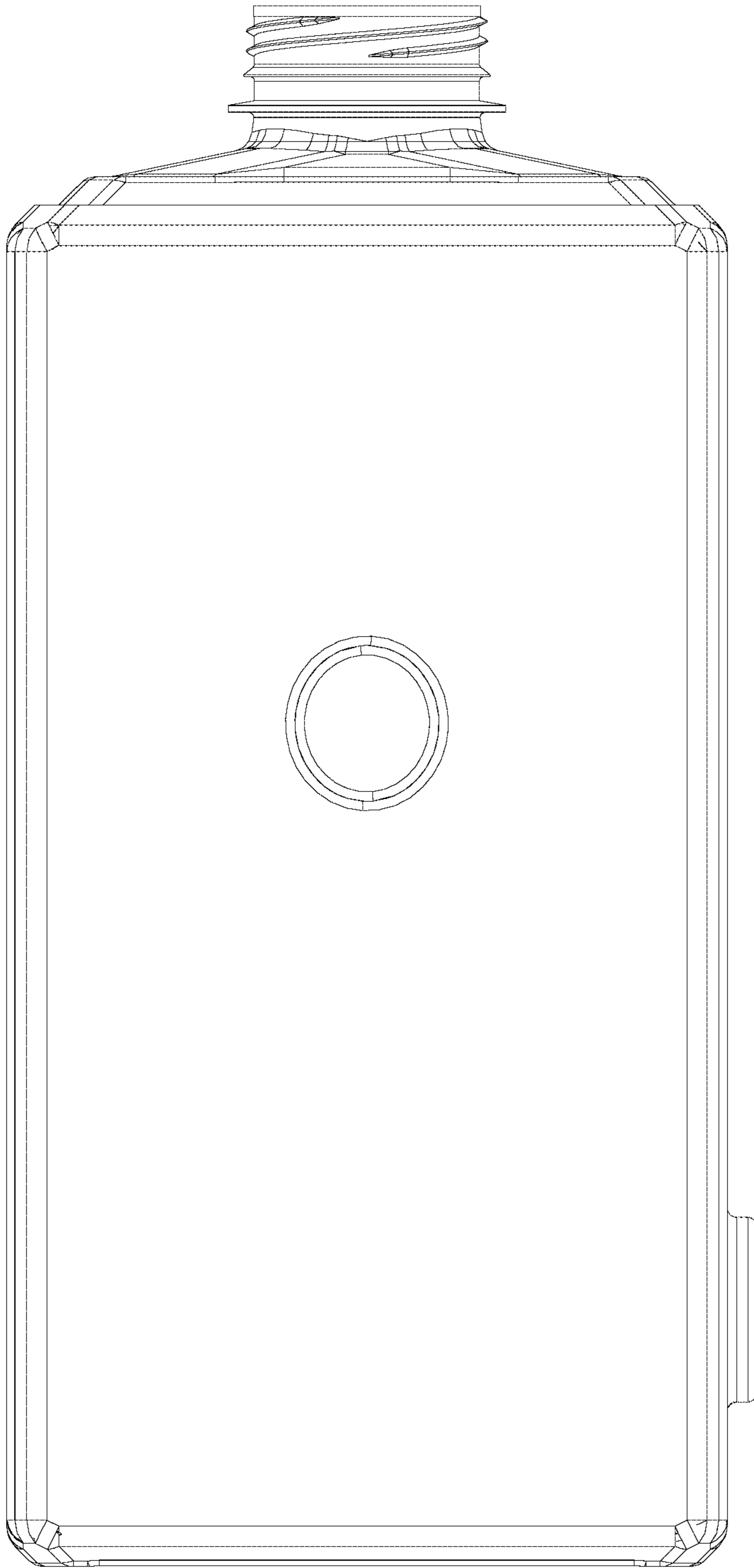


FIG. 3

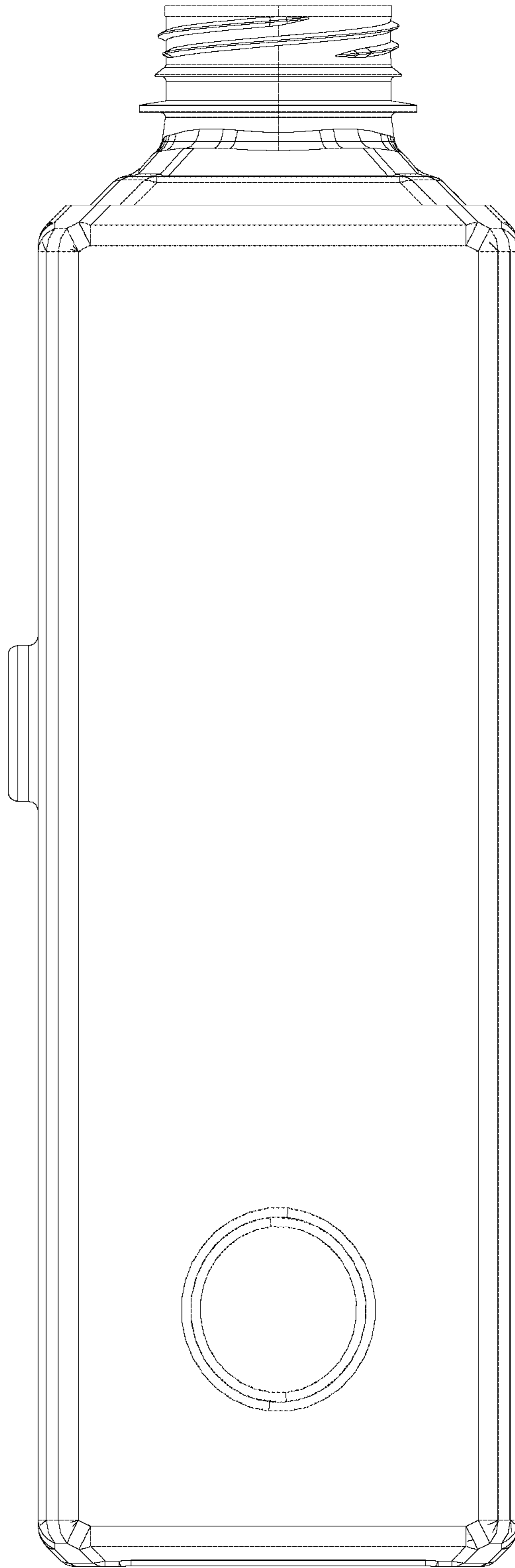


FIG. 4

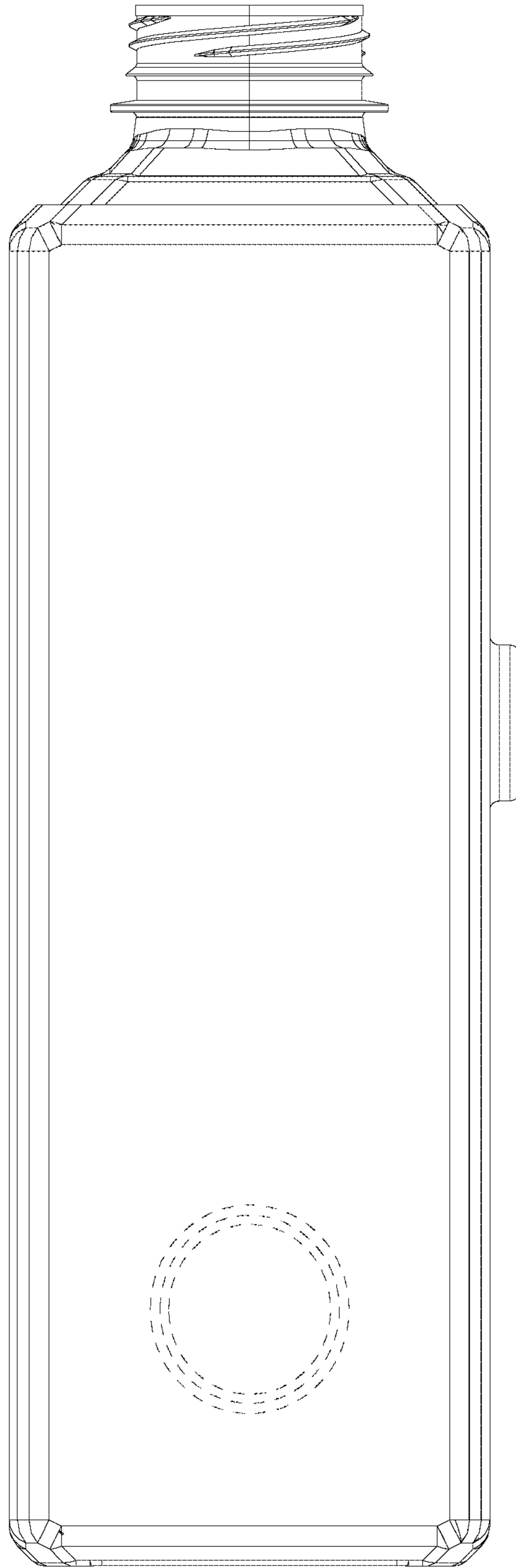


FIG. 5

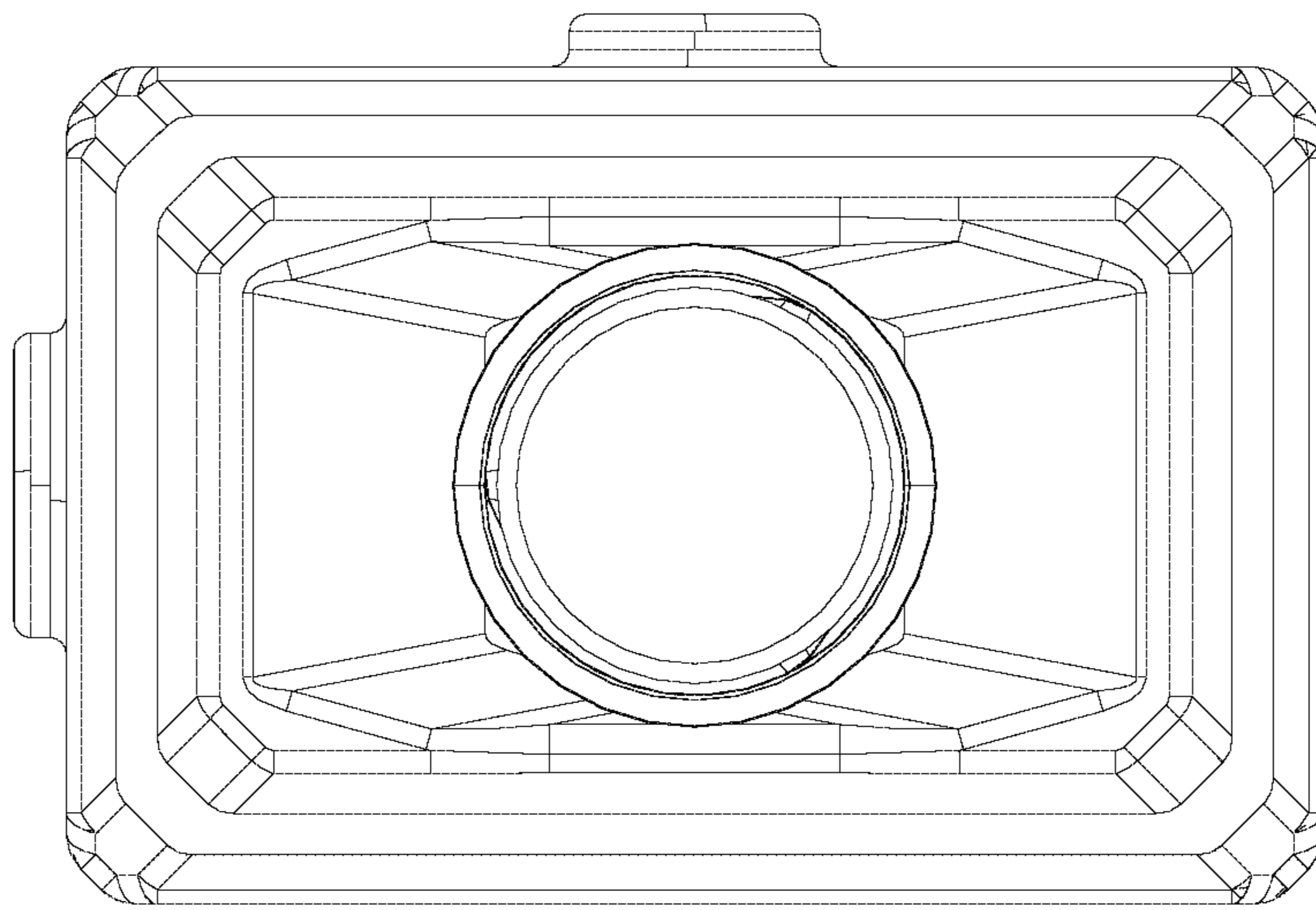


FIG. 6

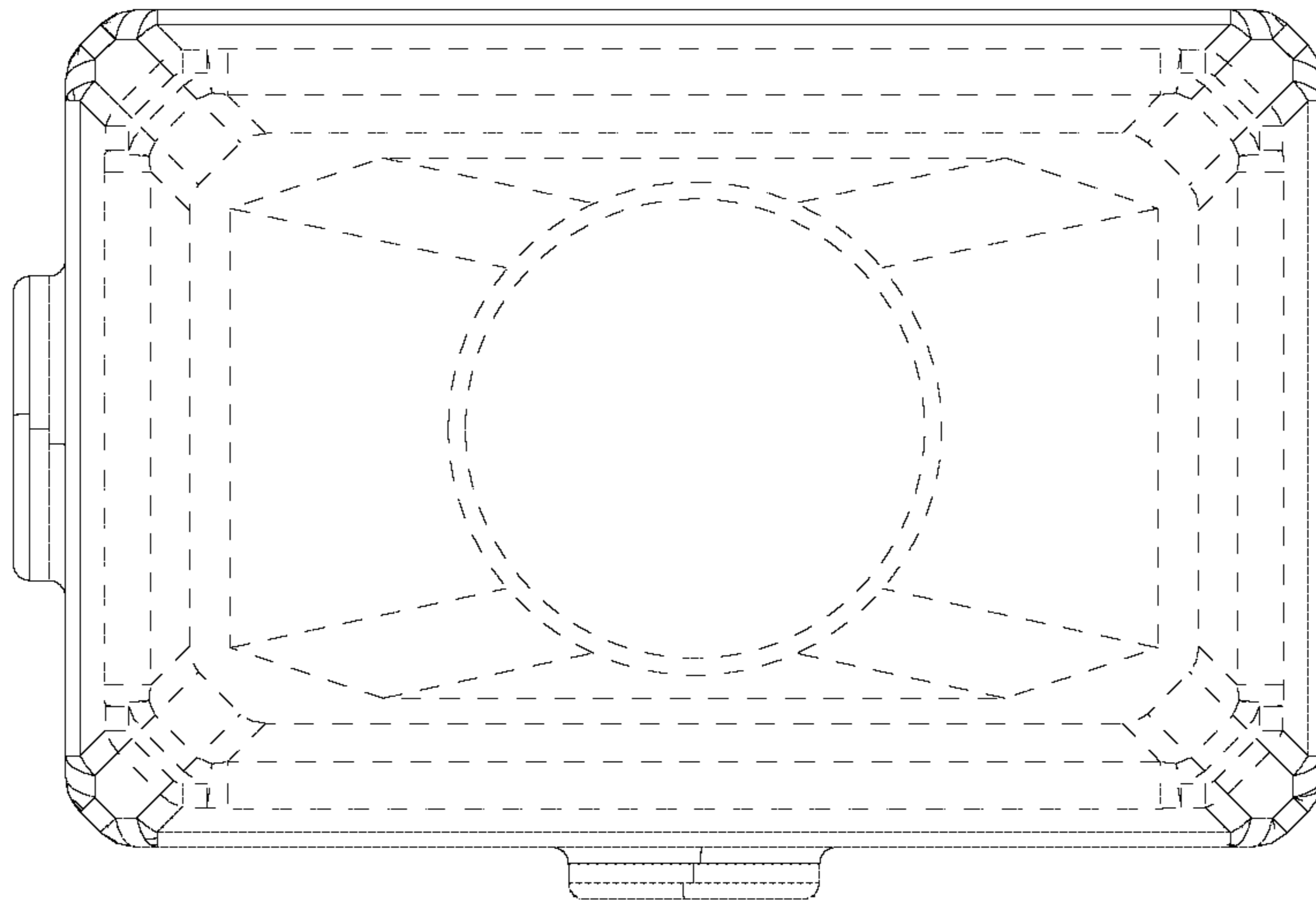


FIG. 7