

US00D917292S

(12) **United States Design Patent** (10) **Patent No.:** **US D917,292 S**  
**Blomberg et al.** (45) **Date of Patent:** **\*\* Apr. 27, 2021**

- (54) **ACCESS-RESISTANT JAR**
- (71) Applicant: **Pollen Gear LLC**, Hermosa Beach, CA (US)
- (72) Inventors: **Shane Grant Blomberg**, Hermosa Beach, CA (US); **Edward Kilduff**, Hermosa Beach, CA (US)
- (73) Assignee: **Pollen Gear LLC**, Hermosa Beach, CA (US)
- (\*\*) Term: **15 Years**
- (21) Appl. No.: **29/708,986**
- (22) Filed: **Oct. 10, 2019**

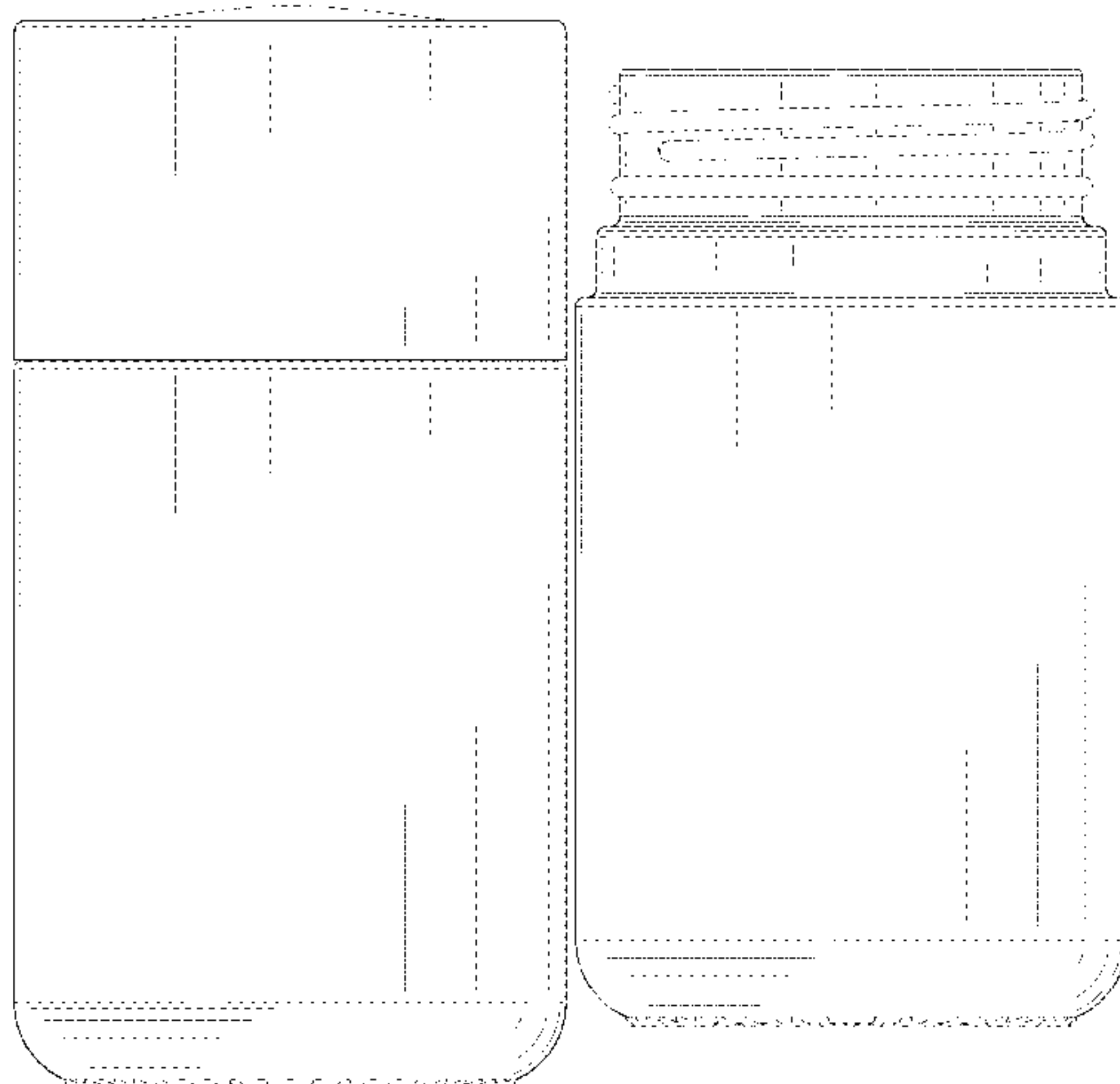
**Related U.S. Application Data**

- (63) Continuation-in-part of application No. 29/683,123, filed on Mar. 11, 2019, and a continuation-in-part of application No. 29/760,074, filed on Jan. 8, 2019, and a continuation-in-part of application No. 29/670,346, filed on Nov. 15, 2018, which is a continuation-in-part of application No. 29/589,016, filed on Dec. 27, 2016, now Pat. No. Des. 842,700, and a continuation-in-part of application No. 29/580,322, filed on Oct. 7, 2016, now abandoned.
- (51) **LOC (13) Cl.** ..... **09-01**
- (52) **U.S. Cl.**  
USPC ..... **D9/504; D9/454**
- (58) **Field of Classification Search**  
USPC ..... D9/414, 434–435, 444–445, 449, 454, D9/500, 503–504, 516, 520, 529, 549, D9/558, 715, 719; D3/202, 203.2, 302; D7/608, 629–630, 624.2, 624.3; D28/4, D28/8, 76, 91; D27/190  
CPC ..... B65D 1/00; B65D 1/02; B65D 1/0223; B65D 23/00; B65D 81/00; B65D 2501/00; B65D 2501/0009  
See application file for complete search history.

(56) **References Cited**

U.S. PATENT DOCUMENTS

D21,628 S *	6/1892	Underhill .....	D9/503
D112,545 S	12/1938	Younghusband	
D118,560 S *	1/1940	Imre .....	D9/624
2,311,198 A	2/1943	Andreasson	
2,547,590 A	4/1951	Mcginnis	
D241,121 S *	8/1976	Pettengill .....	D9/504
D242,222 S *	11/1976	Pettengill .....	D9/602
D249,021 S *	8/1978	Pettengill .....	D9/602
D270,038 S	8/1983	Lipscombe	
D270,331 S	8/1983	Benson	
D278,121 S *	3/1985	Sussman .....	D9/504
D280,291 S *	8/1985	Copsey .....	D9/500
D322,753 S *	12/1991	Sussman .....	D9/504
D328,248 S *	7/1992	Ruff .....	D9/418
D354,441 S	1/1995	Fontanella	
5,792,496 A	8/1998	Fekete et al.	
D405,609 S *	2/1999	Fu .....	D3/302
5,874,141 A	2/1999	Matsui	
D411,742 S	6/1999	Kokenge et al.	
D411,747 S	6/1999	Kokenge et al.	
D411,800 S	7/1999	Kokenge et al.	
D434,314 S	11/2000	Vignon	
D444,394 S *	7/2001	Mettler .....	D9/574
D449,517 S	10/2001	Vignon	
D449,777 S	10/2001	Vignon	
D457,433 S *	5/2002	Costanzo .....	D9/454
D465,733 S	11/2002	Hill	
D466,814 S *	12/2002	Hurlburt .....	D9/504
D478,813 S	8/2003	Beene	
D491,800 S *	6/2004	Palomino, Jr. ....	D9/504
D492,403 S	6/2004	Iddan et al.	
D507,679 S *	7/2005	Ashiwa .....	D28/76
D518,381 S *	4/2006	Egawa .....	D9/504
D522,695 S *	6/2006	Desdoigts .....	D28/82
D534,076 S	12/2006	Green et al.	
D539,984 S *	4/2007	Egawa .....	D28/89
D558,584 S	1/2008	Blank	
D564,900 S	3/2008	Green et al.	
H2217 H	6/2008	Smay et al.	
D592,064 S	5/2009	Kilany	
D604,630 S	11/2009	Puigbo	
D605,523 S	12/2009	Dibnah et al.	
D605,529 S	12/2009	Holtrop	
D612,240 S	3/2010	Cresswell et al.	
D612,245 S	3/2010	Puigbo	
D613,177 S	4/2010	Lee	
D629,691 S *	12/2010	Cresswell .....	D9/500
D633,794 S *	3/2011	Cresswell .....	D9/500
D633,795 S *	3/2011	Cresswell .....	D9/500





D643,295 S	8/2011	Sadler et al.	
D650,280 S	12/2011	Peyerimhoff et al.	
D655,168 S	3/2012	In	
D657,249 S	4/2012	Bakic	
D659,539 S	5/2012	Bakic	
D661,540 S	6/2012	Facey	
D679,960 S *	4/2013	Hopkins .....	D7/629
8,651,308 B1	2/2014	Sung	
D709,652 S	7/2014	Teller	
D710,544 S	8/2014	Shen	
D717,173 S	11/2014	Wechsler	
D729,917 S	5/2015	Seo	
D730,735 S	6/2015	Sommer	
D733,967 S	7/2015	Schlatter	
D734,550 S	7/2015	Schlatter	
D734,895 S	7/2015	Liu	
D742,593 S	11/2015	Corey et al.	
D752,397 S *	3/2016	Seiders .....	D7/624.2
D755,051 S	5/2016	Otani et al.	
D758,867 S	6/2016	Tsai	
D766,093 S	9/2016	Otani	
D769,719 S *	10/2016	Lebon .....	D9/500
D770,296 S	11/2016	Rothfos	
D778,170 S	2/2017	Kim	
D780,531 S *	3/2017	Seiders .....	D7/624.2
D780,588 S	3/2017	Miller et al.	
D799,328 S	10/2017	Puigbo	
D803,060 S	11/2017	Marina et al.	
D804,807 S *	12/2017	Wengreen .....	D3/203.1
D808,080 S	1/2018	Corey et al.	
D809,868 S *	2/2018	Eyal .....	D7/523
D811,901 S	3/2018	Dardashty	
9,961,981 B2 *	5/2018	Lee .....	B05B 11/3047
D823,689 S	7/2018	Durand	
D826,003 S *	8/2018	Seiders .....	D7/624.2
D827,388 S	9/2018	Kander	
D828,113 S	9/2018	Fleischhut	
D829,058 S *	9/2018	Seiders .....	D7/624.2
D829,554 S	10/2018	Liston	
D833,876 S	11/2018	Laib et al.	
D835,508 S	12/2018	Burrowes et al.	
D836,982 S *	1/2019	Diener .....	D7/509
D838,594 S	1/2019	Ainsworth	
D841,252 S	2/2019	Teller et al.	
D841,381 S *	2/2019	Karsten .....	D7/300.1
D842,110 S	3/2019	Marina et al.	
D842,111 S	3/2019	Delia	
D842,700 S	3/2019	Blomberg et al.	
D843,216 S	3/2019	Suga et al.	
D844,433 S *	4/2019	Hall .....	D9/500
D844,434 S	4/2019	Toribio et al.	
D844,435 S	4/2019	Deylamian et al.	
D844,436 S	4/2019	Deylamian et al.	
D844,438 S	4/2019	Deylamian et al.	
D844,439 S	4/2019	Deylamian et al.	
D867,069 S *	11/2019	Wang .....	D7/515
D879,564 S *	3/2020	Adams, Jr. ....	D7/612
D888,505 S *	6/2020	Seiders .....	D7/624.2
D893,958 S *	8/2020	Guthrie .....	D7/629
D901,988 S *	11/2020	Jacobsen .....	D7/608
D902,665 S *	11/2020	Jacobsen .....	D7/608
10,835,067 B2 *	11/2020	Rane .....	A47G 23/02
2018/0242765 A1 *	8/2018	Rane .....	A47G 23/0241
2019/0241322 A1 *	8/2019	Blomberg .....	B65D 50/06

FOREIGN PATENT DOCUMENTS

CN	304990940	1/2019
CN	305013620	1/2019
CN	2018304036016	2/2019
CN	201830398147	3/2019
CN	2018306704873	4/2019
EP	006269619	2/2019
EP	006272597	3/2019

\* cited by examiner

Primary Examiner — Dana Meyrow  
(74) Attorney, Agent, or Firm — RMCK Law Group PLC

(57) CLAIM

The ornamental design for an access-resistant jar, as shown and described.

DESCRIPTION

FIG. 1 is a top perspective view of an access-resistant jar of the present invention, shown in the closed condition;  
 FIG. 2 is a bottom perspective view thereof  
 FIG. 3 is a front side elevation view thereof;  
 FIG. 4 is a right side elevation view thereof;  
 FIG. 5 is a rear elevation view thereof;  
 FIG. 6 is a left side elevation view thereof;  
 FIG. 7 is a top plan view thereof;  
 FIG. 8 is a bottom plan view thereof;  
 FIG. 9 is a top perspective view of the closure portion of the access-resistant jar of FIGS. 1-8 with the jar portion removed;  
 FIG. 10 is a bottom perspective view thereof  
 FIG. 11 is a front side elevation view thereof;  
 FIG. 12 is a right side elevation view thereof;  
 FIG. 13 is a rear elevation view thereof;  
 FIG. 14 is a left side elevation view thereof;  
 FIG. 15 is a top plan view thereof;  
 FIG. 16 is a bottom plan view thereof;  
 FIG. 17 is a top perspective view of the jar portion of the access-resistant jar of FIGS. 1-8 shown in the open condition with the closure removed;  
 FIG. 18 is a bottom perspective view thereof  
 FIG. 19 is a front side elevation view thereof;  
 FIG. 20 is a right side elevation view thereof;  
 FIG. 21 is a rear elevation view thereof;  
 FIG. 22 is a left side elevation view thereof;  
 FIG. 23 is a top plan view thereof;  
 FIG. 24 is a bottom plan view thereof;  
 FIG. 25 is an exploded top perspective view of the access-resistant jar of FIGS. 1-24;  
 FIG. 26 is a top perspective view of a second embodiment of the present invention, shown in the closed condition;  
 FIG. 27 is a bottom perspective view thereof  
 FIG. 28 is a front side elevation view thereof;  
 FIG. 29 is a right side elevation view thereof;  
 FIG. 30 is a rear elevation view thereof;  
 FIG. 31 is a left side elevation view thereof;  
 FIG. 32 is a top plan view thereof;  
 FIG. 33 is a bottom plan view thereof;  
 FIG. 34 is a top perspective view of the closure portion of the access-resistant jar of FIGS. 26-33 with the jar portion removed;  
 FIG. 35 is a bottom perspective view thereof  
 FIG. 36 is a front side elevation view thereof;  
 FIG. 37 is a right side elevation view thereof;  
 FIG. 38 is a rear elevation view thereof;  
 FIG. 39 is a left side elevation view thereof;  
 FIG. 40 is a top plan view thereof;  
 FIG. 41 is a bottom plan view thereof;  
 FIG. 42 is a top perspective view of the jar portion of the access-resistant jar of FIGS. 26-33 shown in the open condition with the closure removed;  
 FIG. 43 is a bottom perspective view thereof  
 FIG. 44 is a front side elevation view thereof;  
 FIG. 45 is a right side elevation view thereof;  
 FIG. 46 is a rear elevation view thereof;  
 FIG. 47 is a left side elevation view thereof;  
 FIG. 48 is a top plan view thereof;

FIG. **49** is a bottom plan view thereof; and,  
FIG. **50** is an exploded top perspective view of the access-resistant jar of FIGS. **26-49**.  
The broken lines in the drawings illustrate the portions of the access-resistant jar that form no part of the claimed design.

**1 Claim, 50 Drawing Sheets**

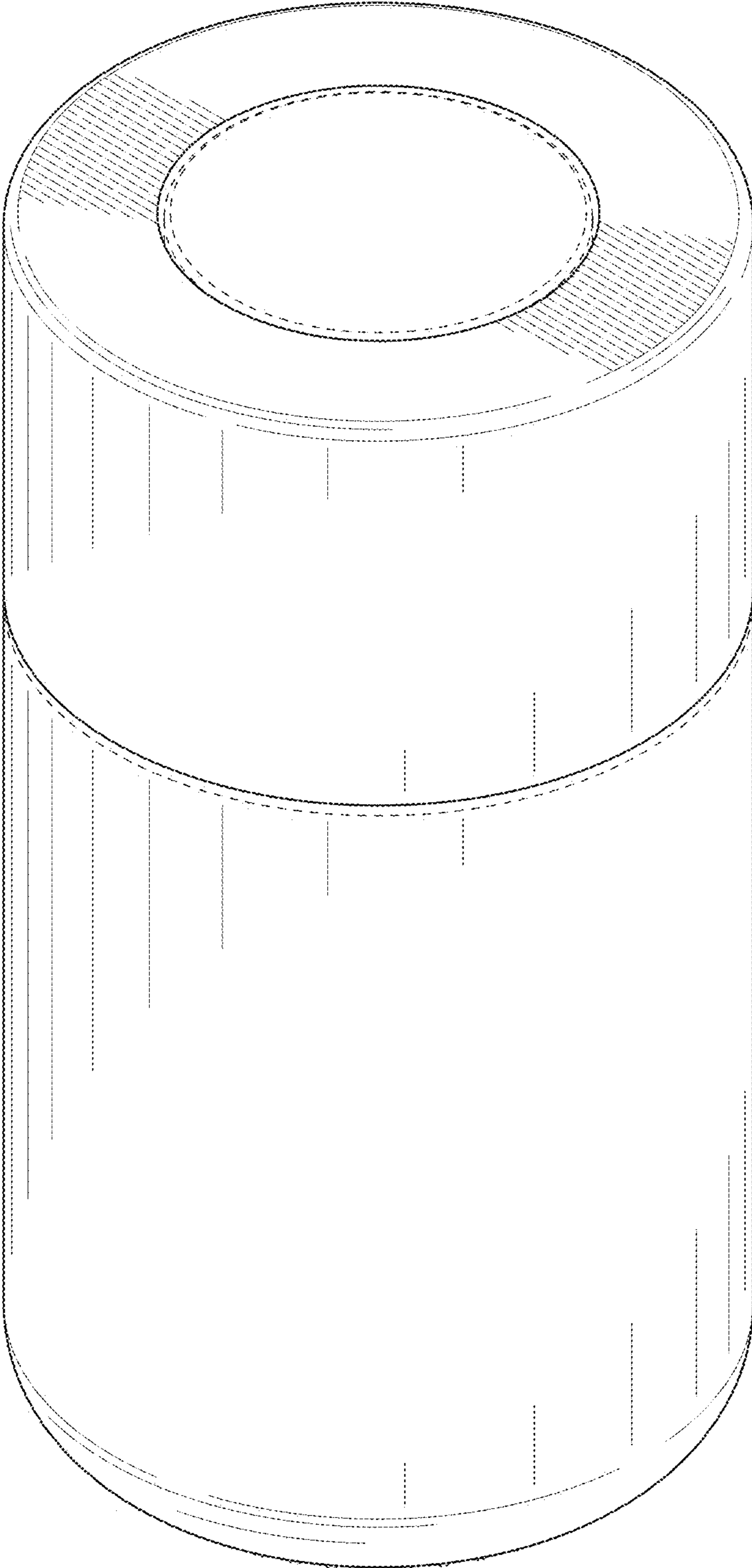


FIG. 1

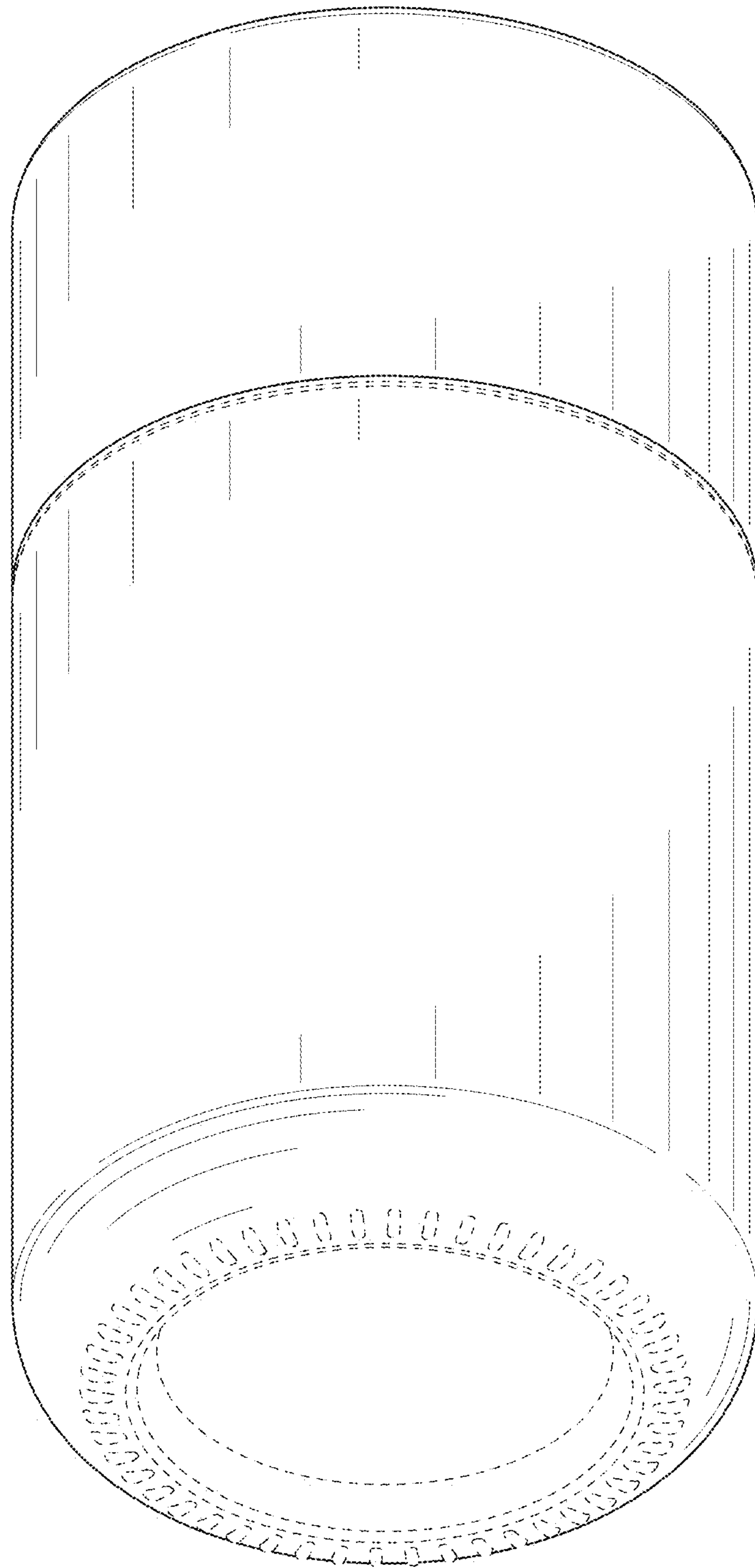


FIG. 2



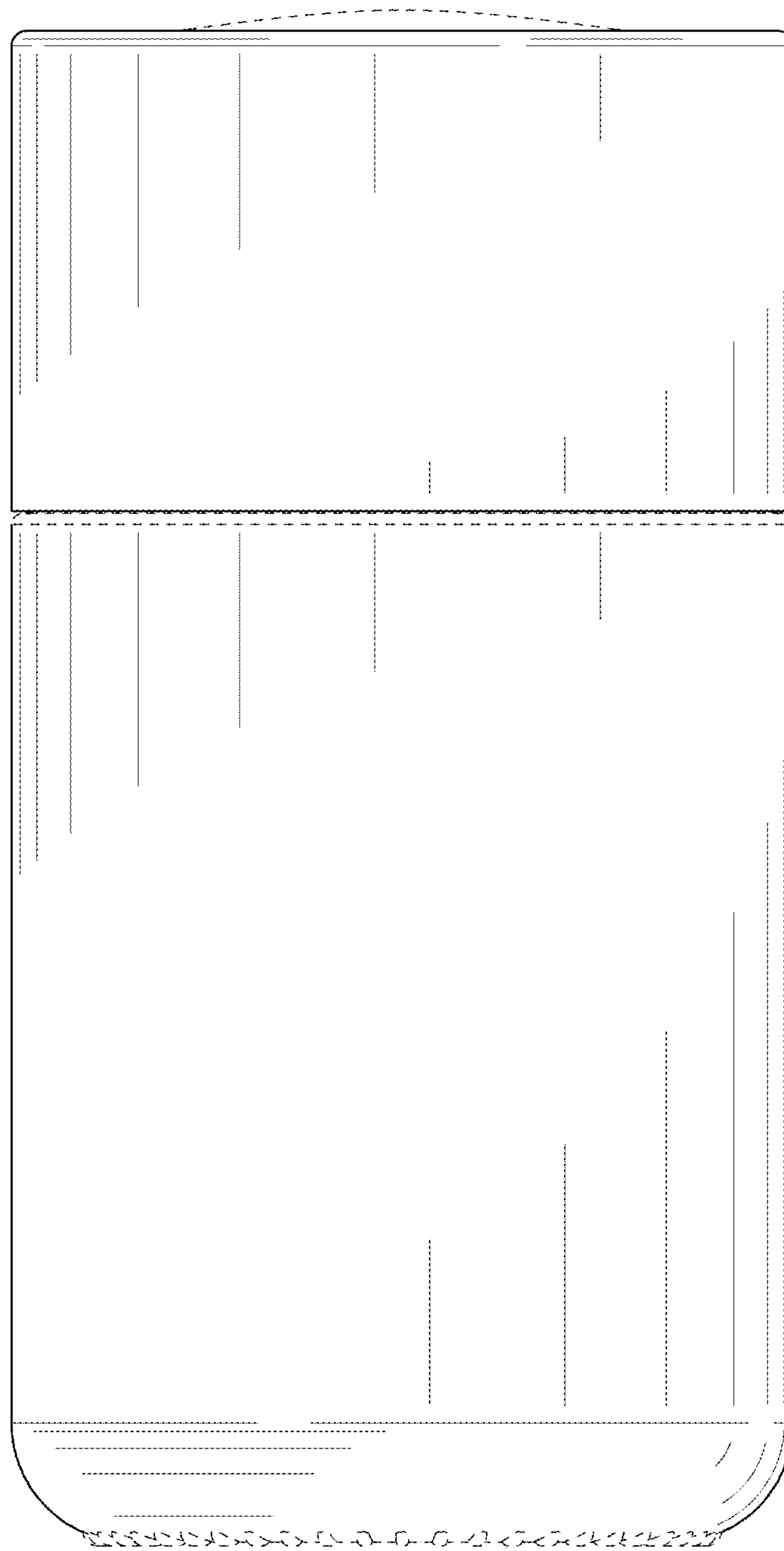


FIG. 3

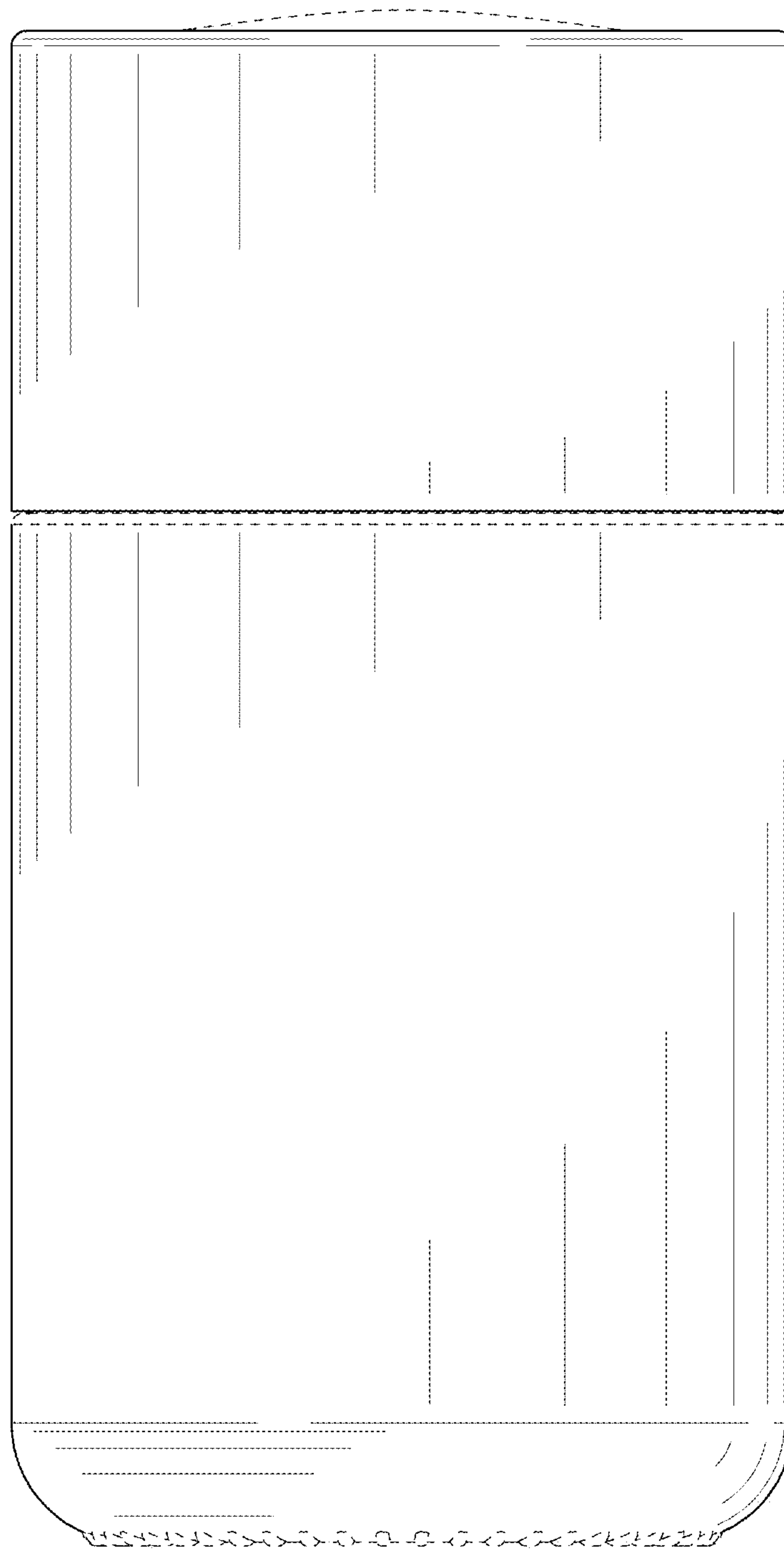


FIG. 4

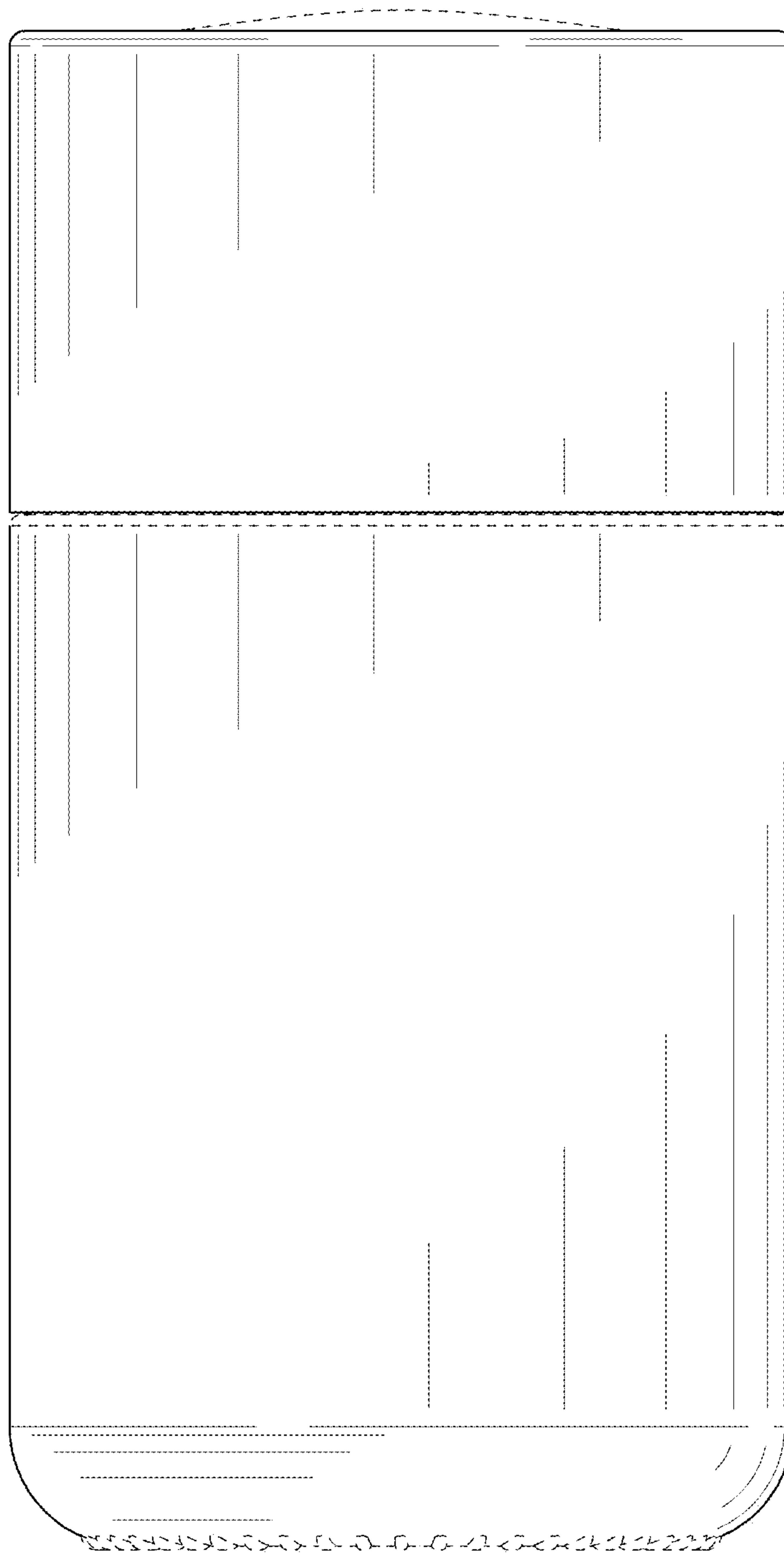


FIG. 5



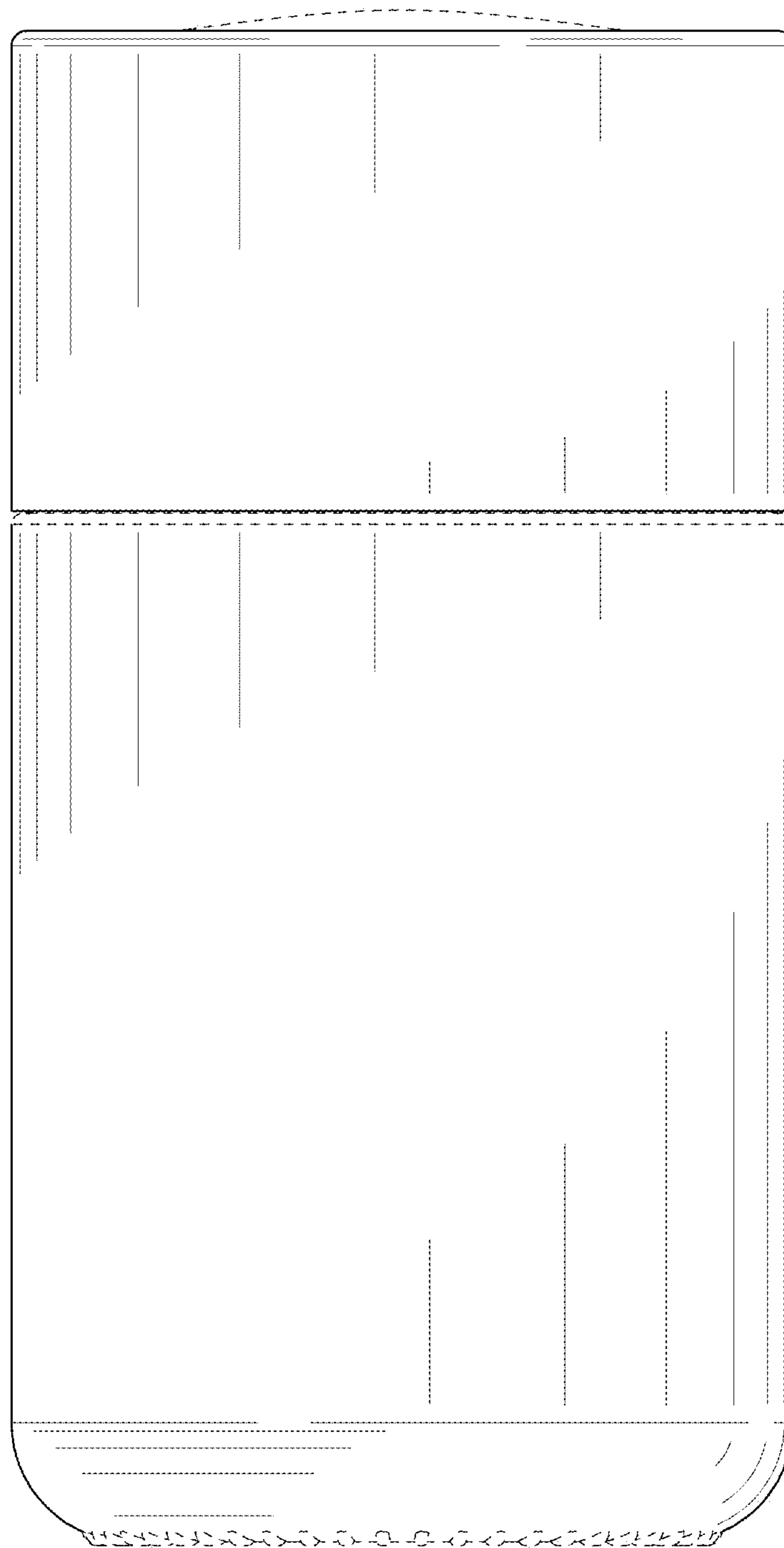


FIG. 6

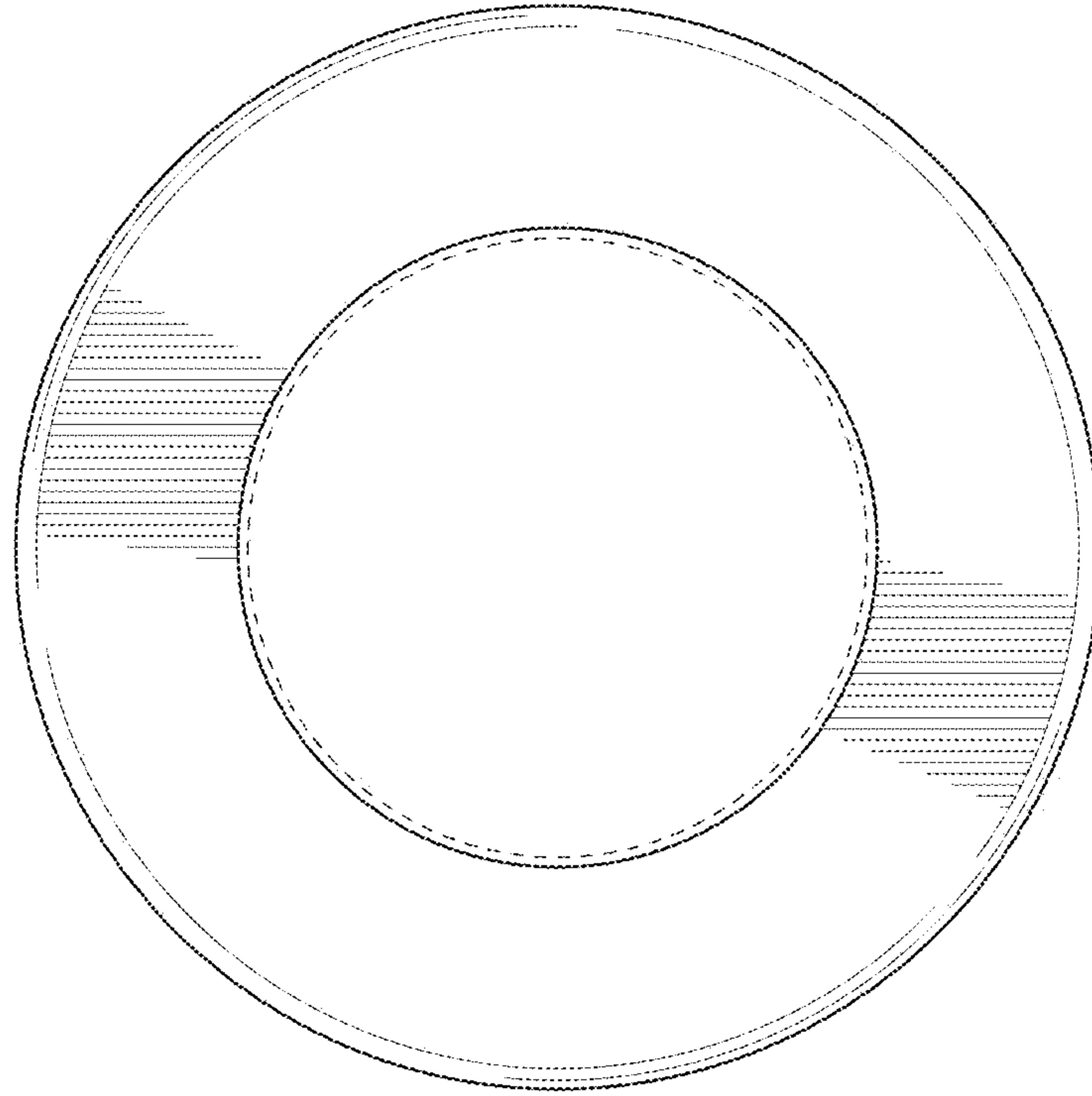


FIG. 7

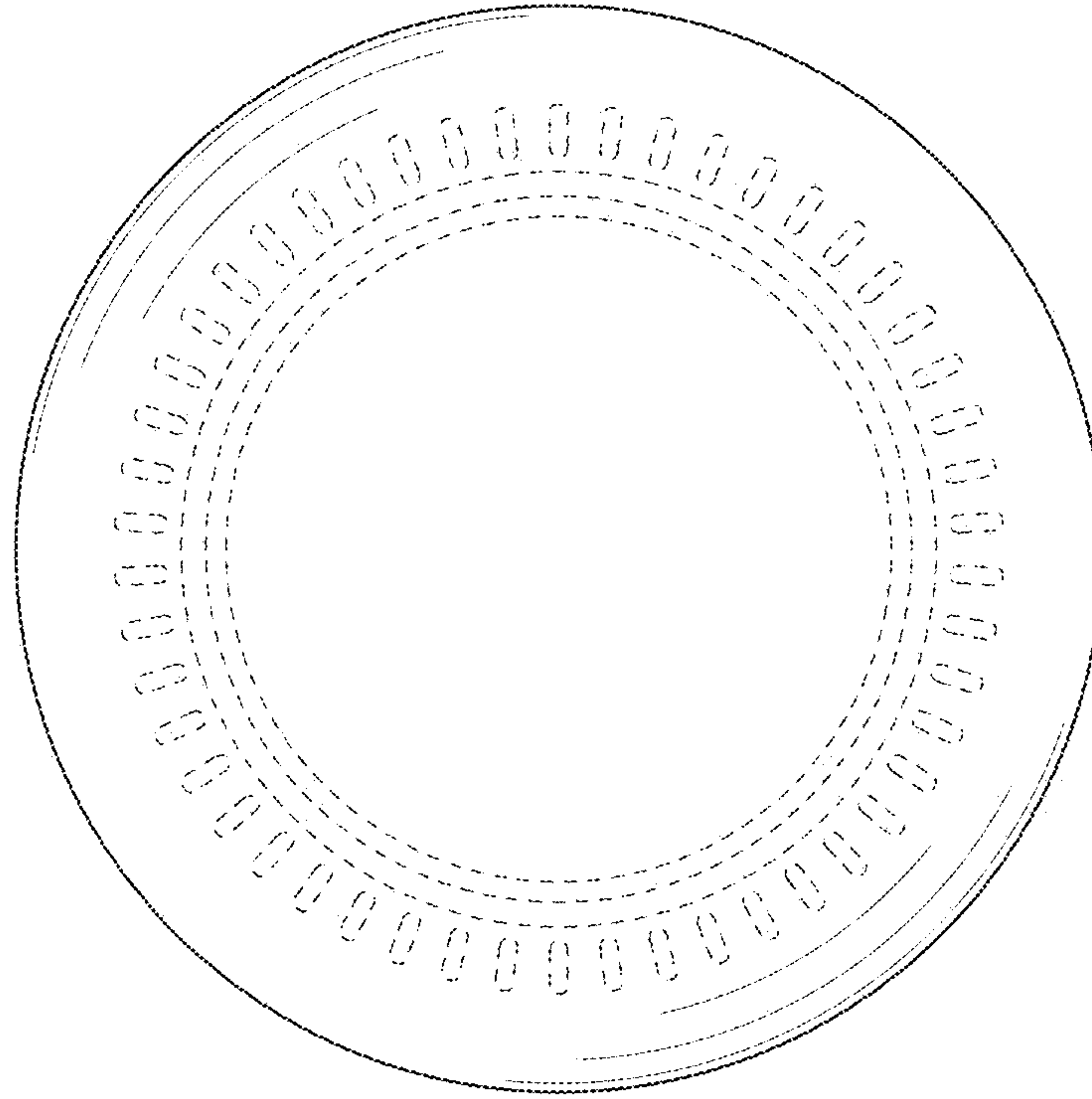


FIG. 8

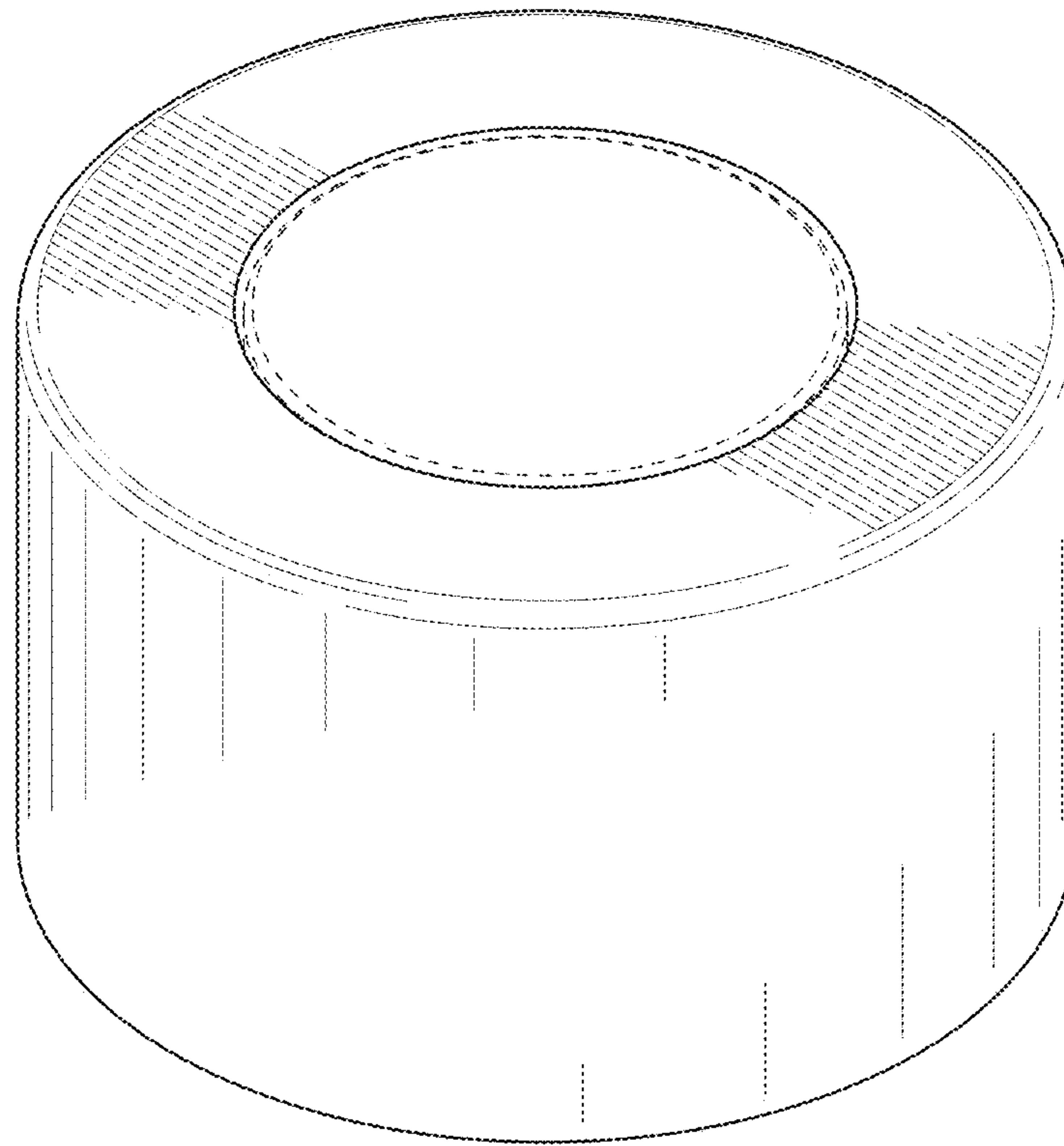


FIG. 9



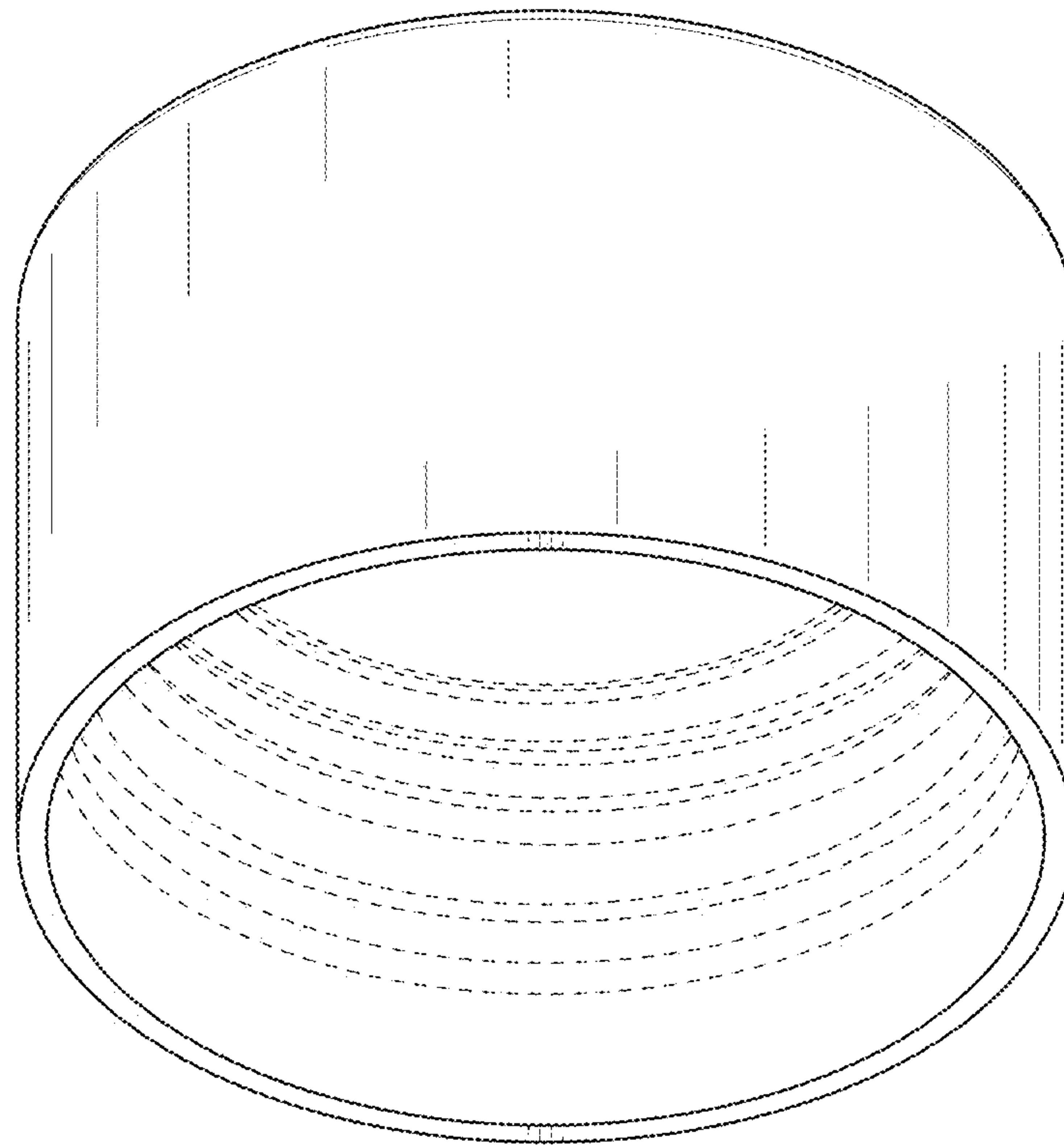


FIG. 10

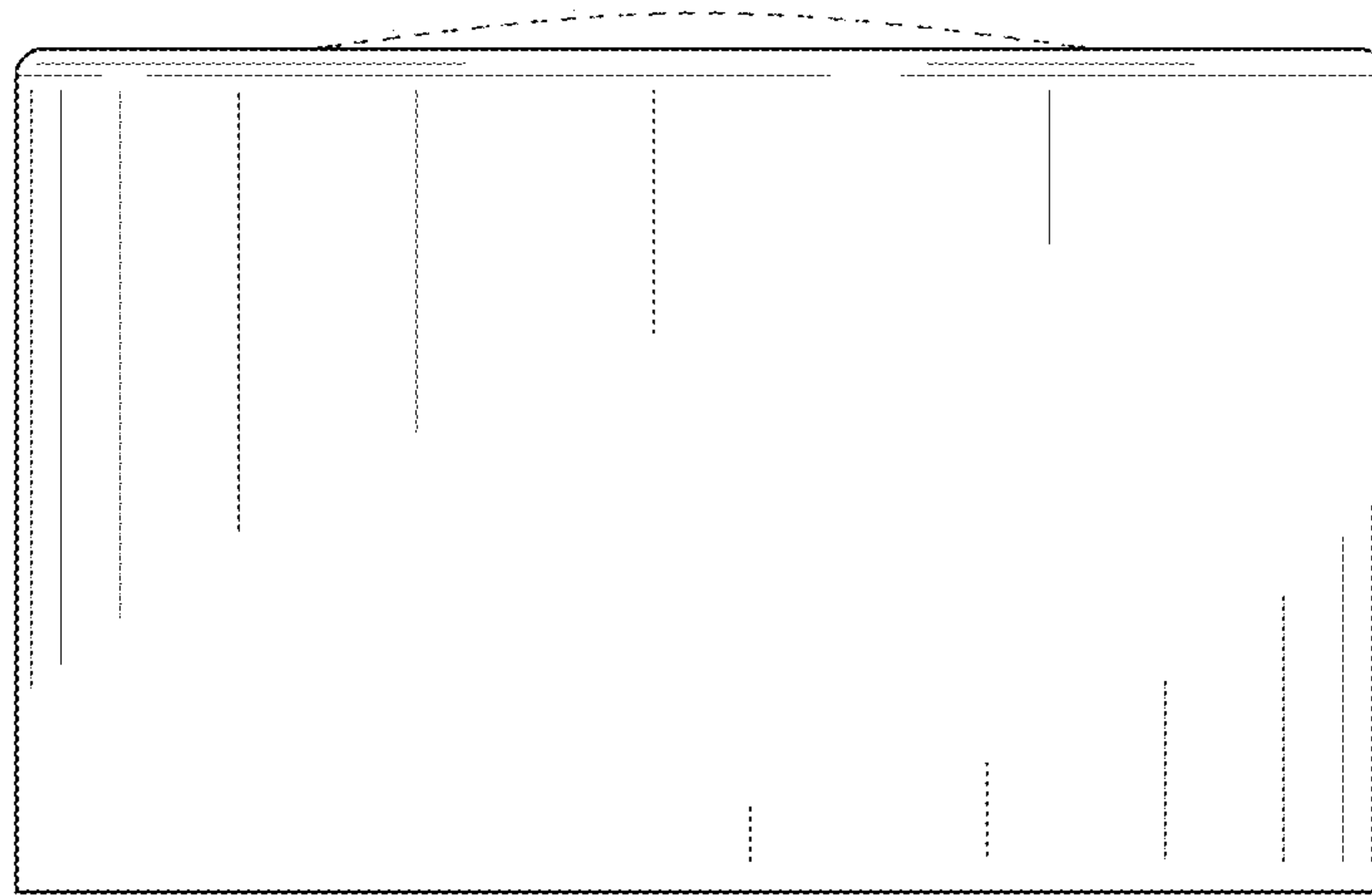


FIG. 11

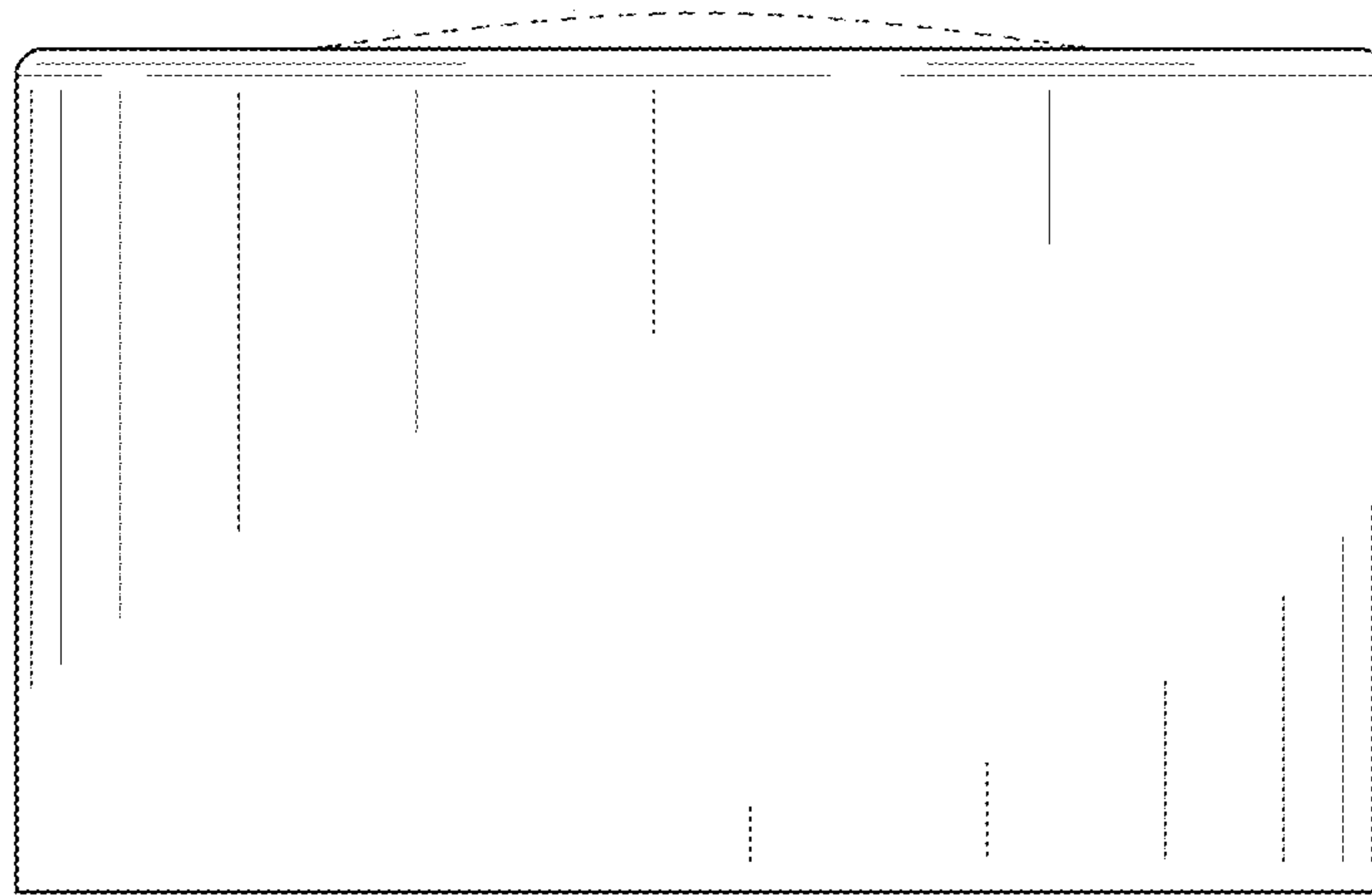


FIG. 12

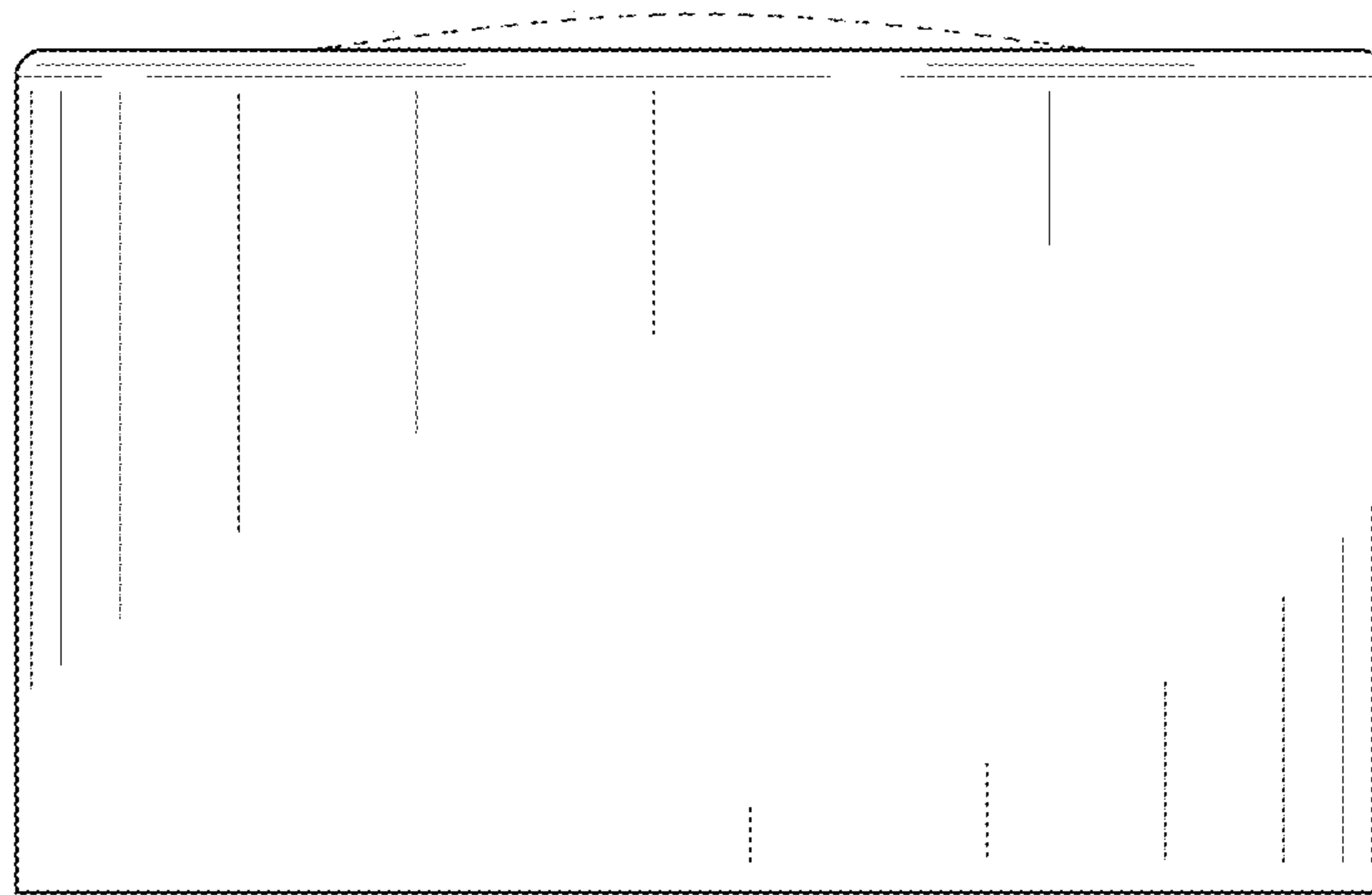


FIG. 13



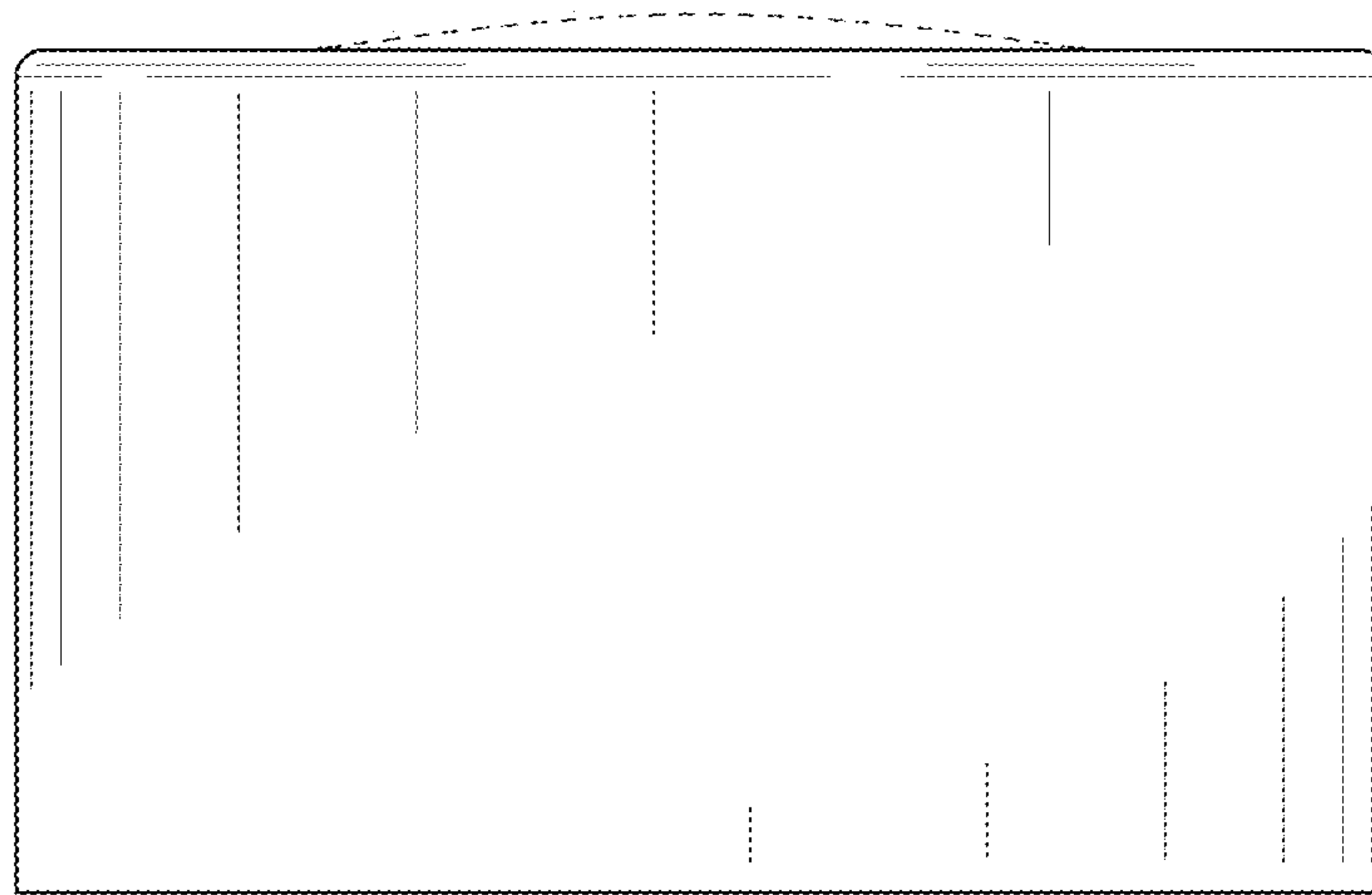


FIG. 14

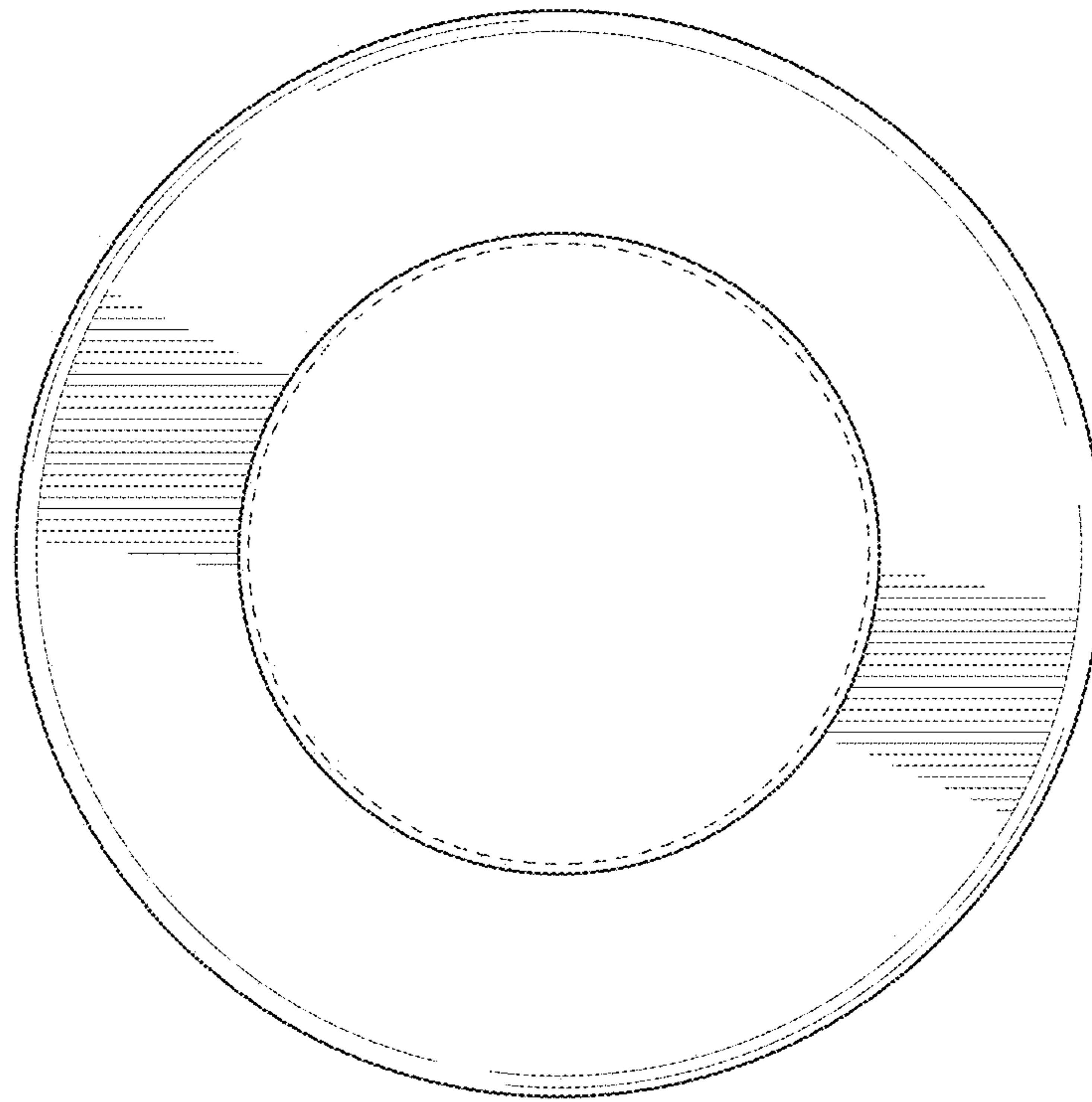


FIG. 15

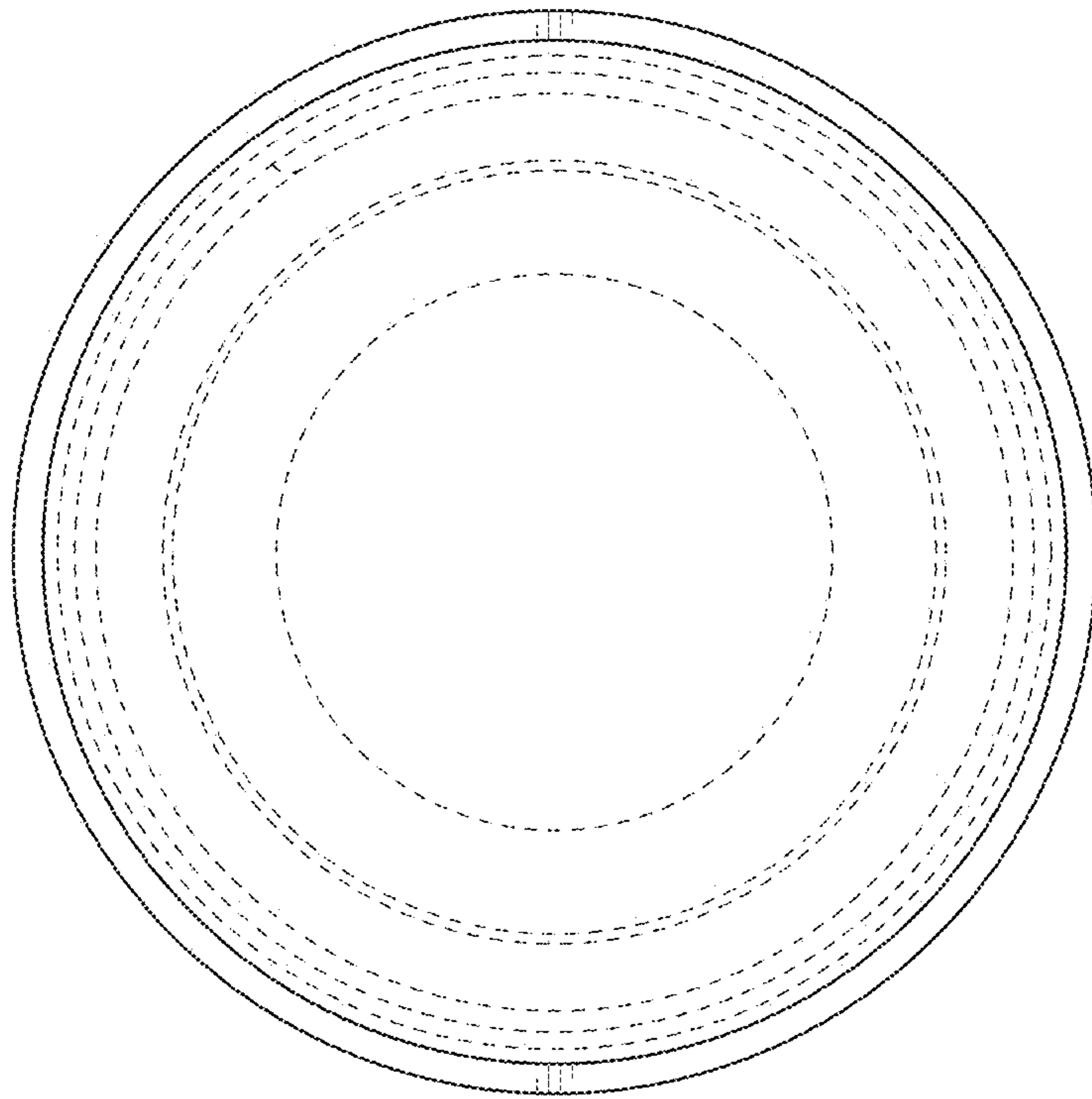


FIG. 16

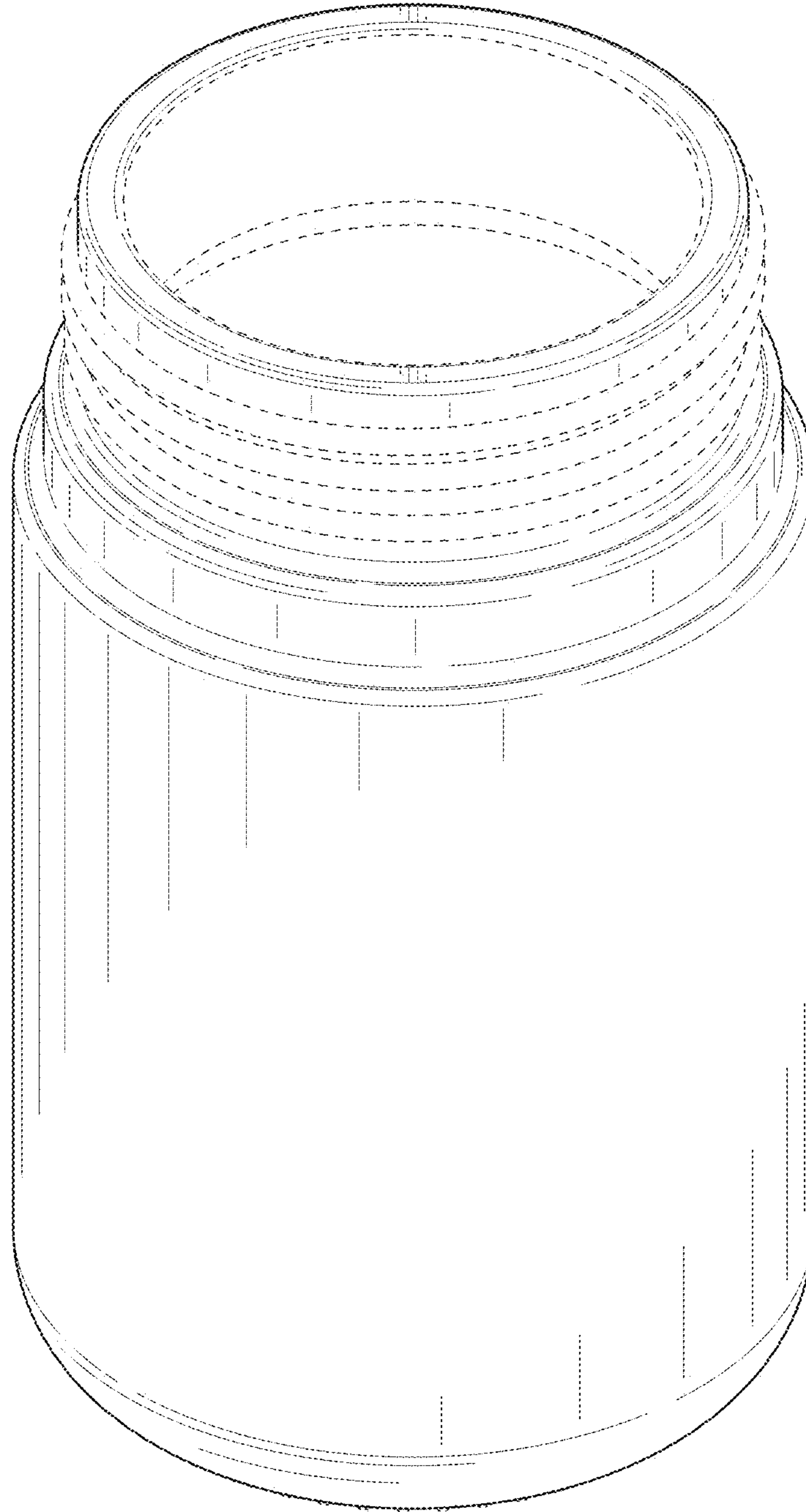


FIG. 17



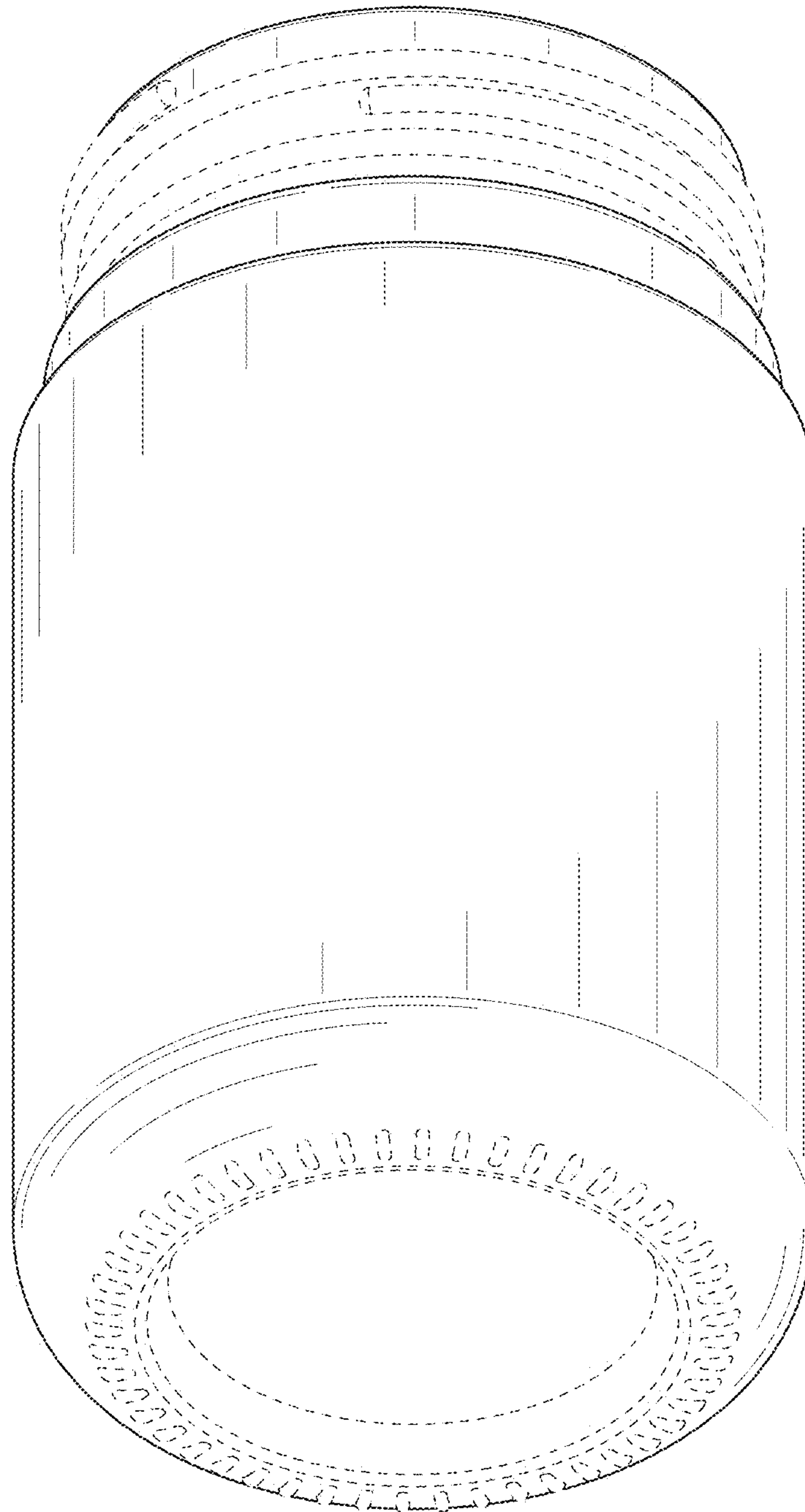


FIG. 18



FIG. 19



FIG. 20



FIG. 21



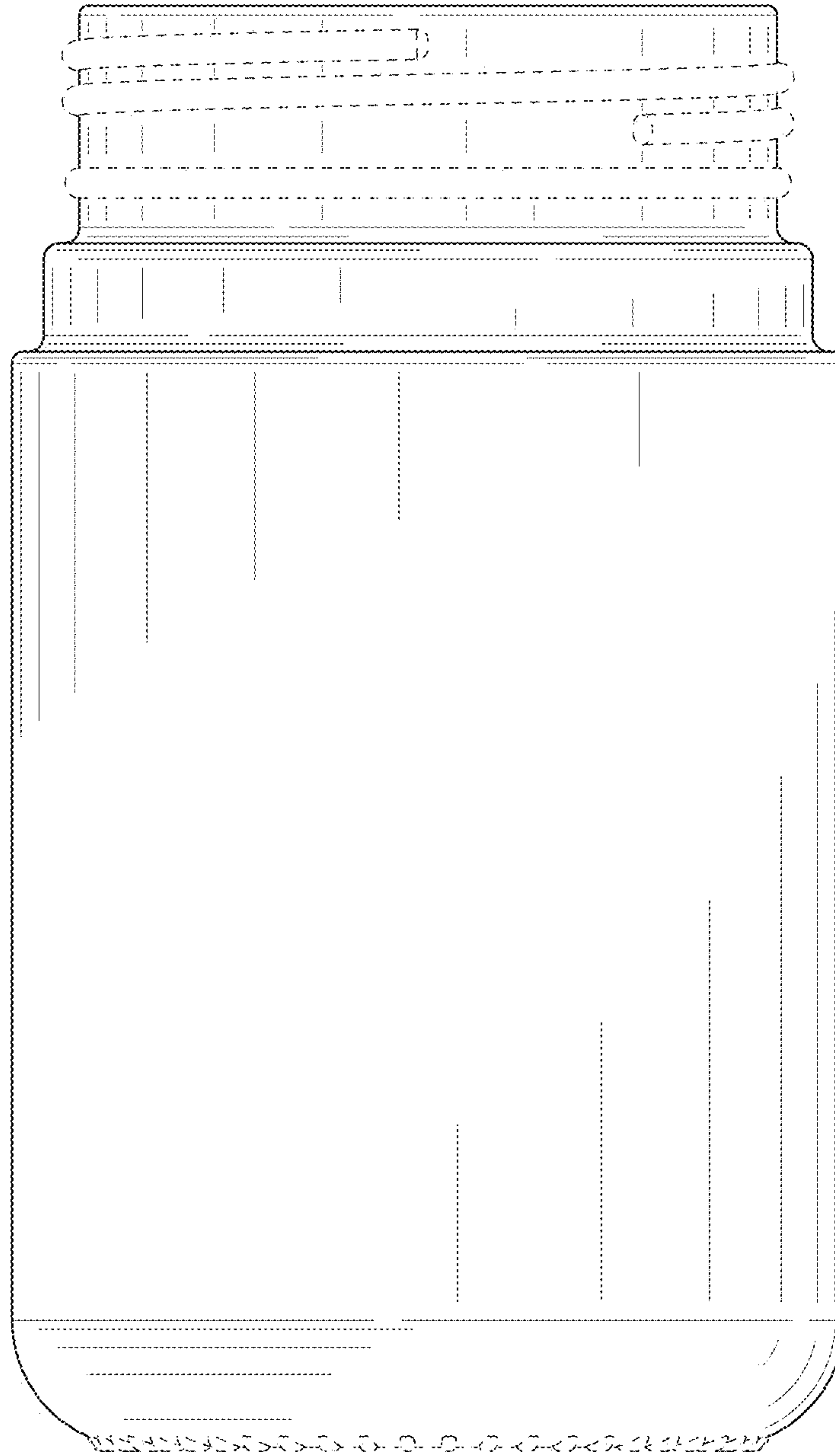


FIG. 22

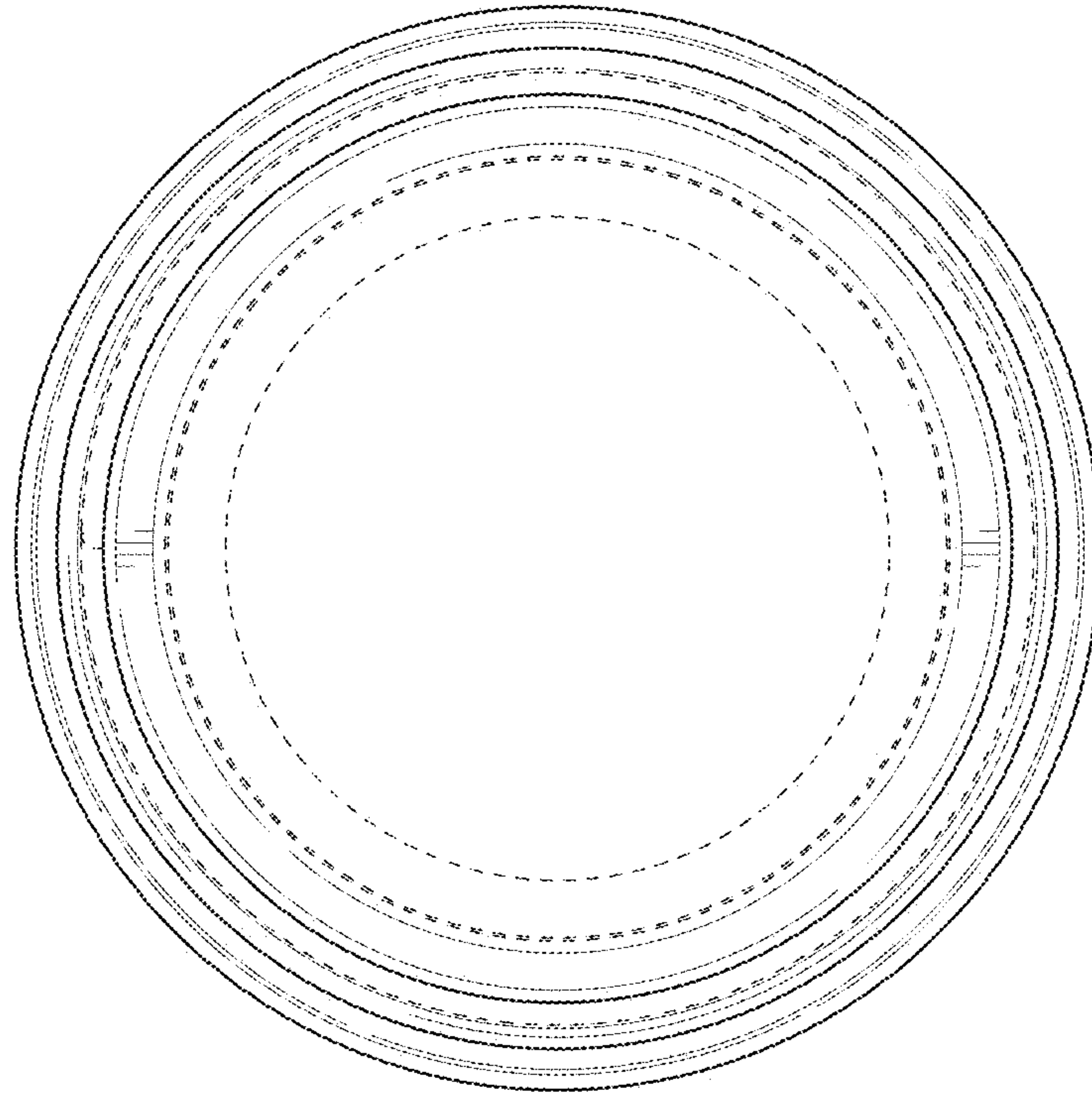


FIG. 23

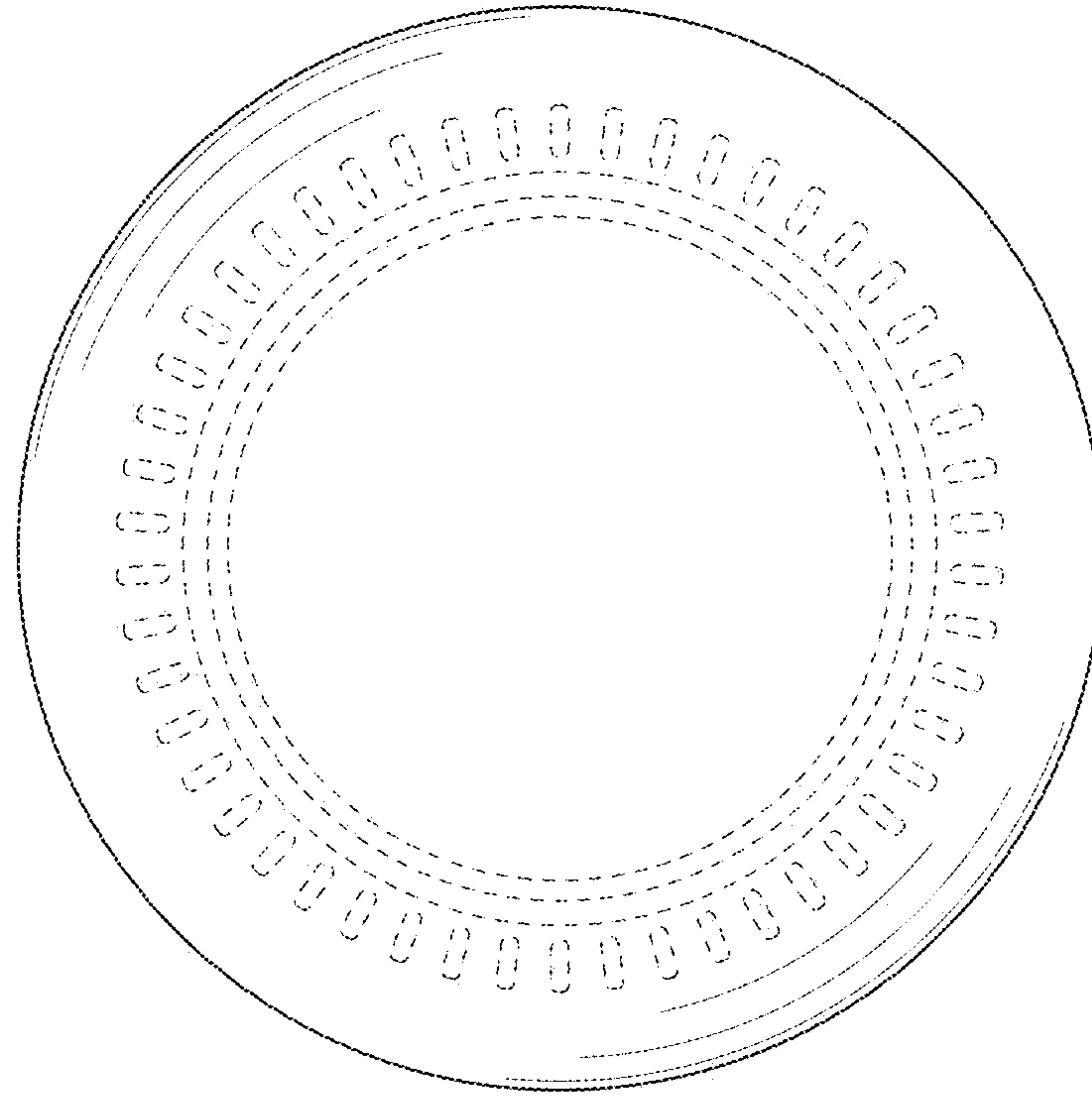


FIG. 24

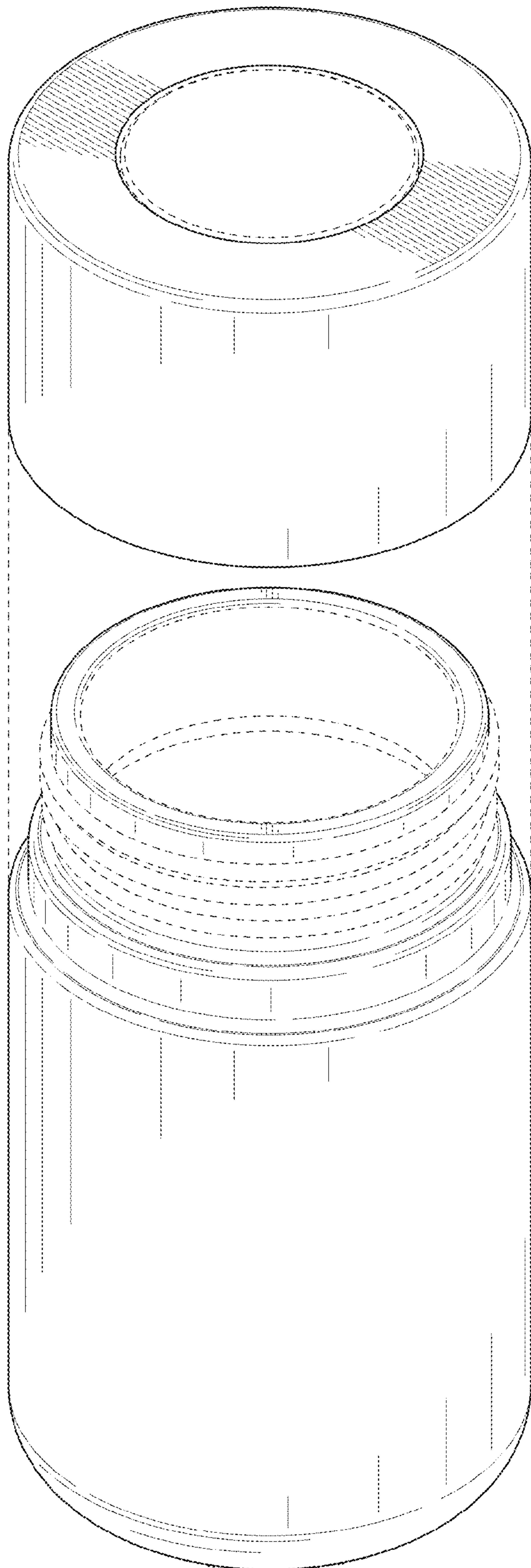


FIG. 25

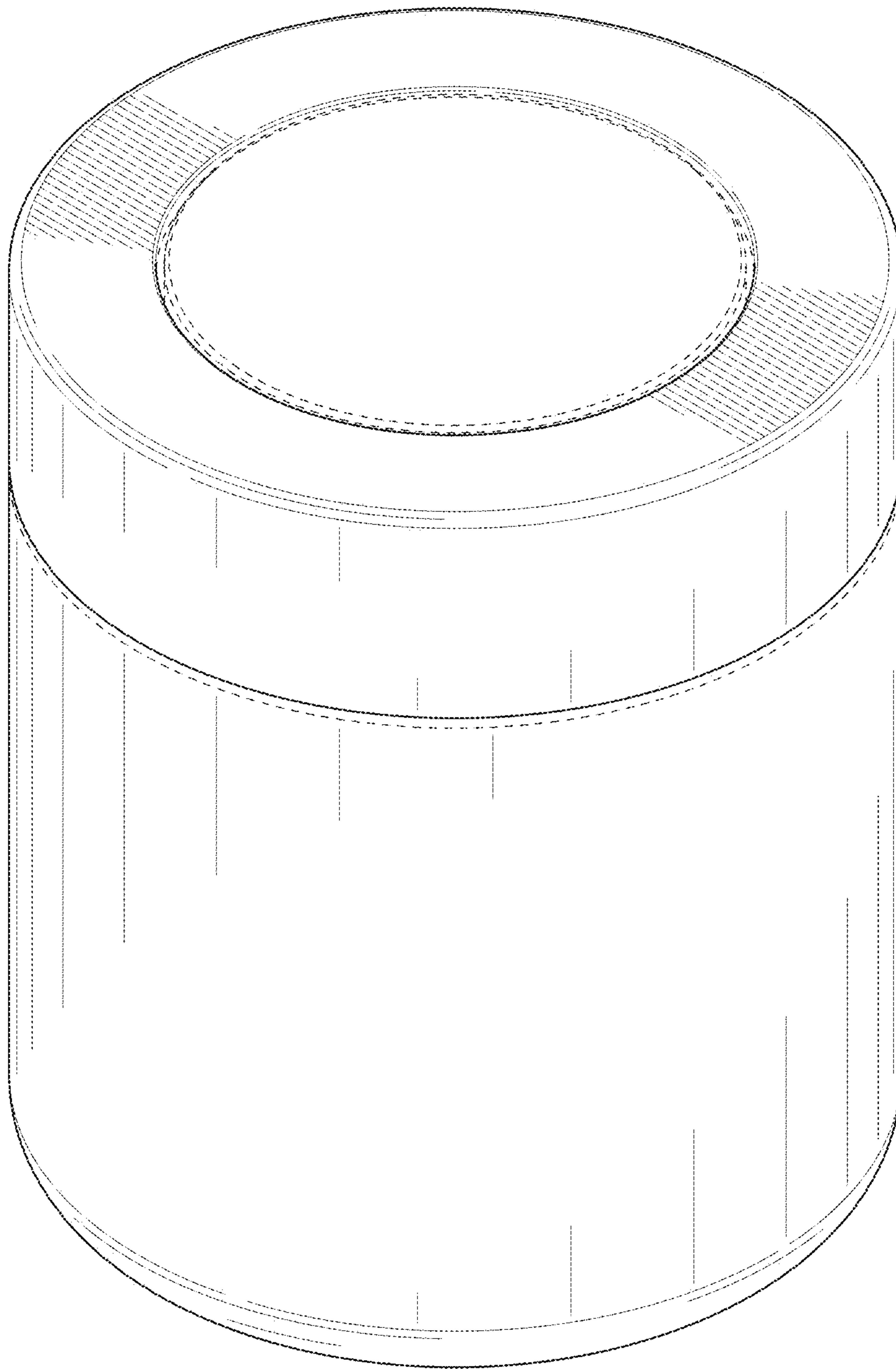


FIG. 26

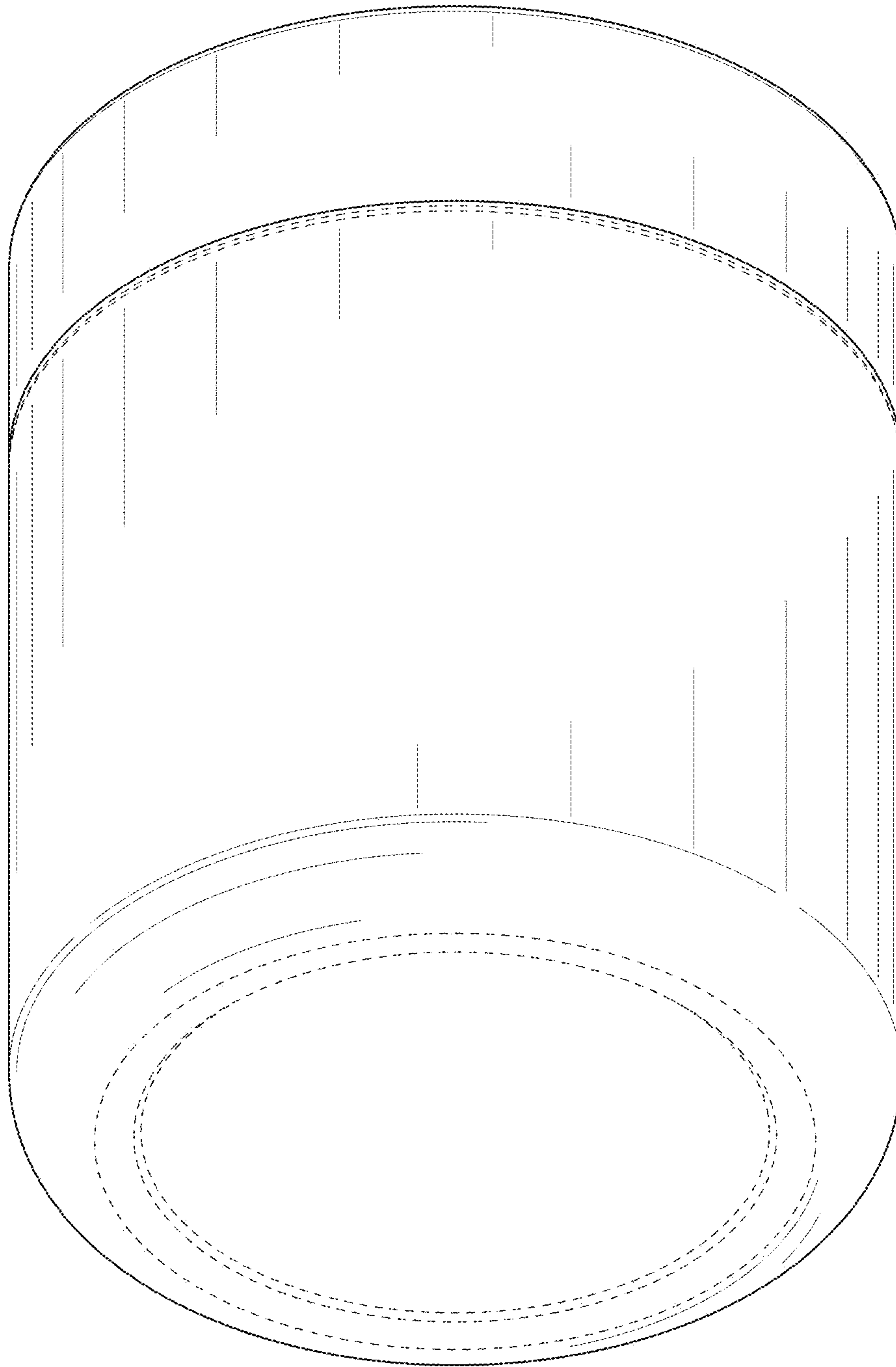


FIG. 27



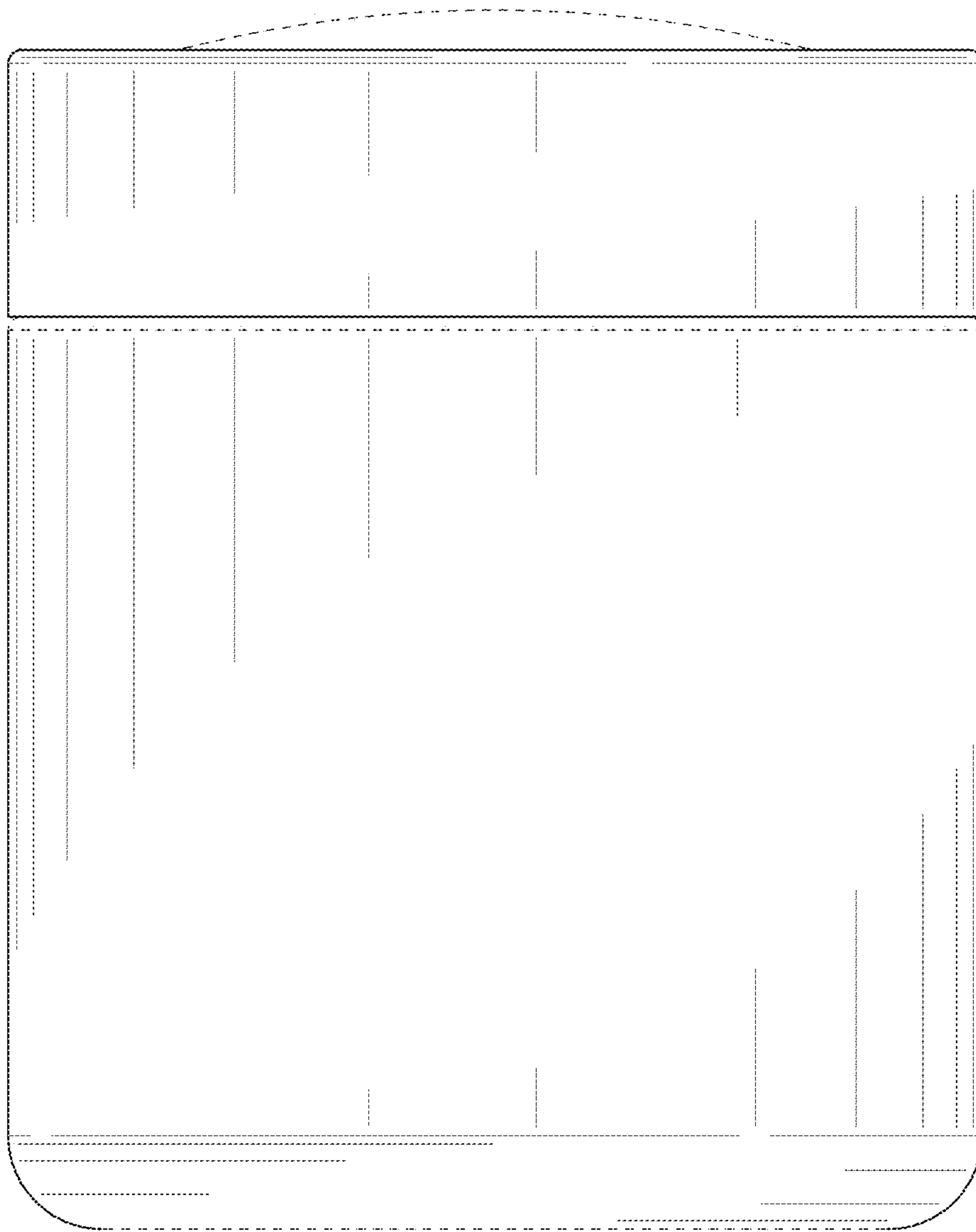


FIG. 28

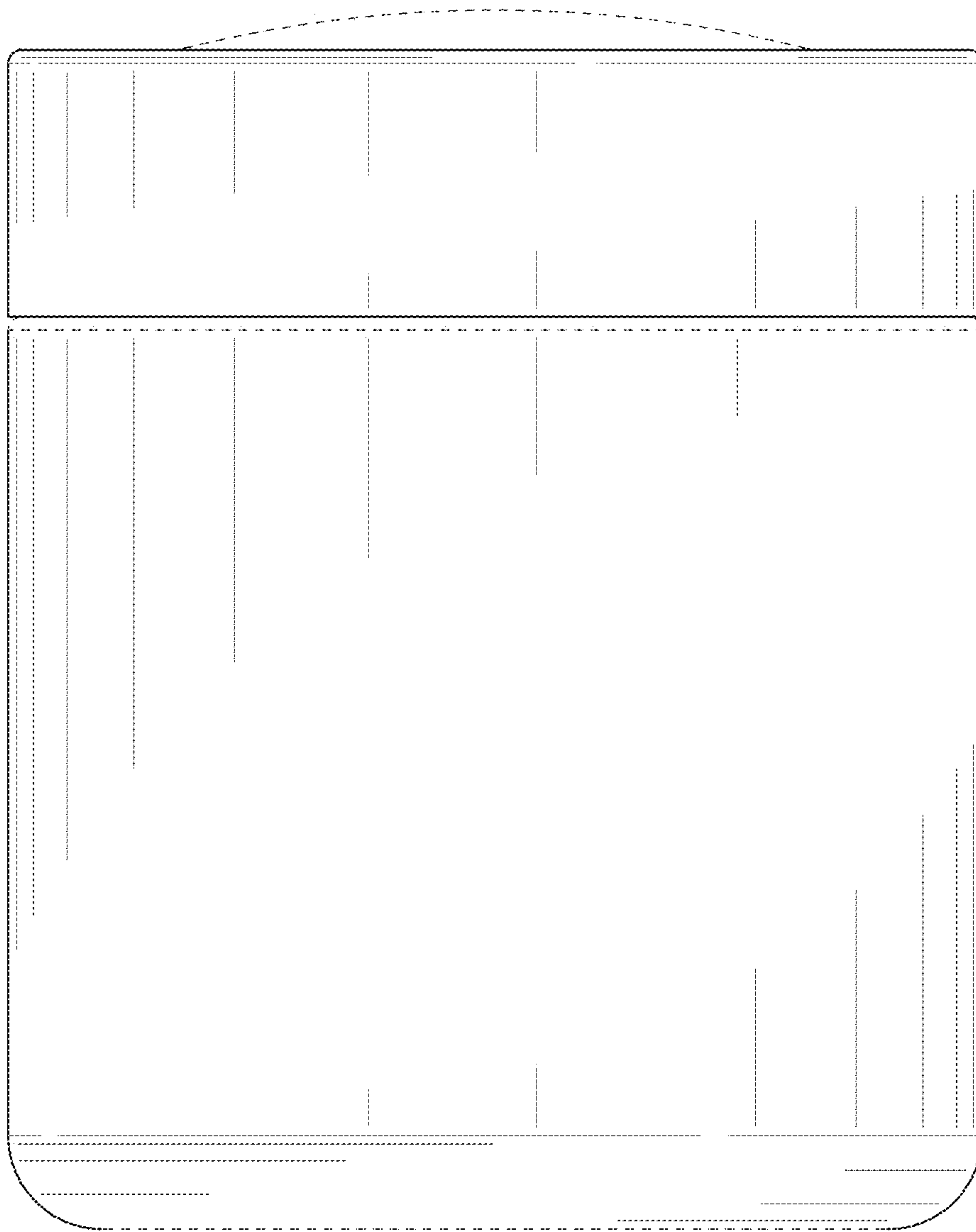


FIG. 29

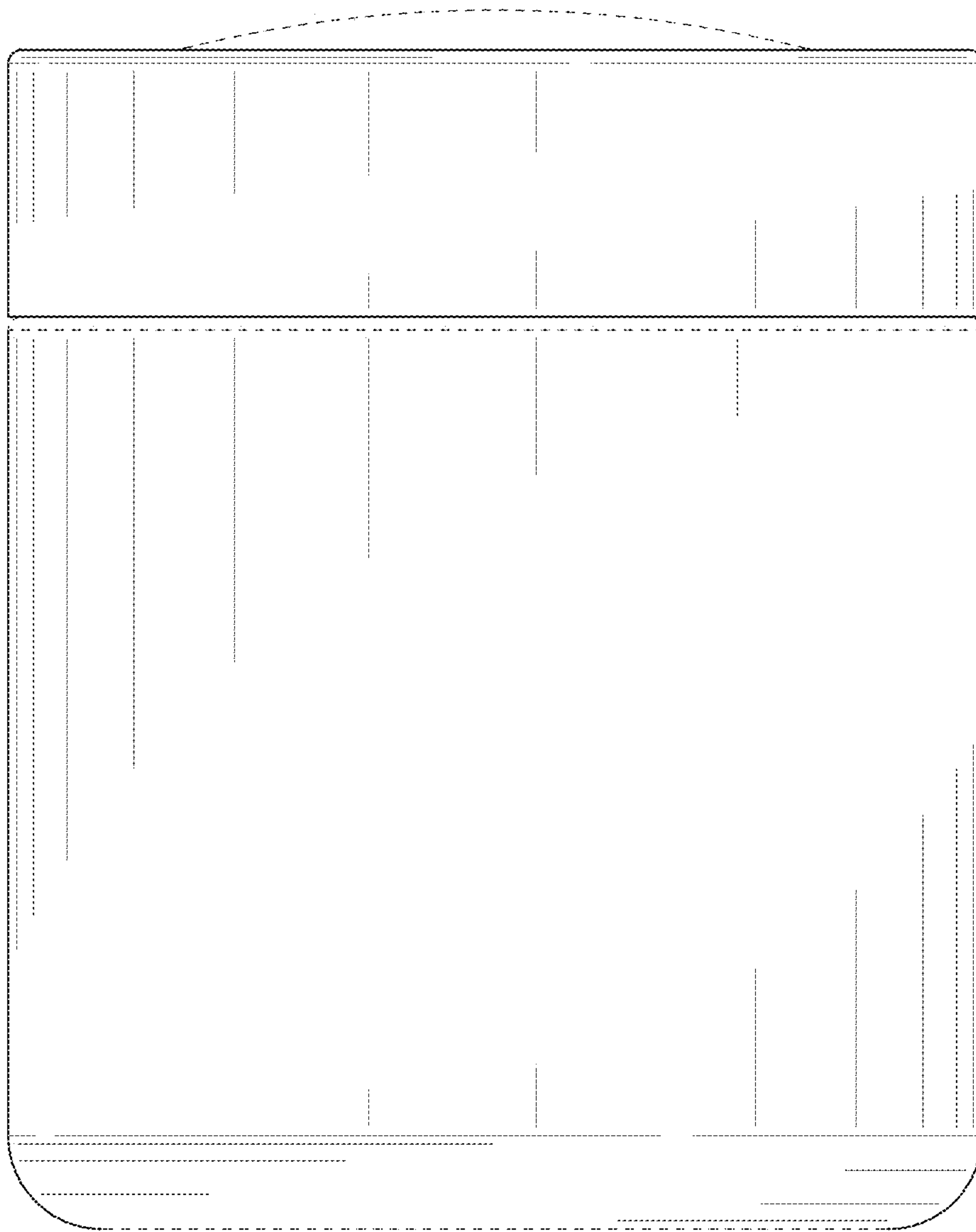


FIG. 30

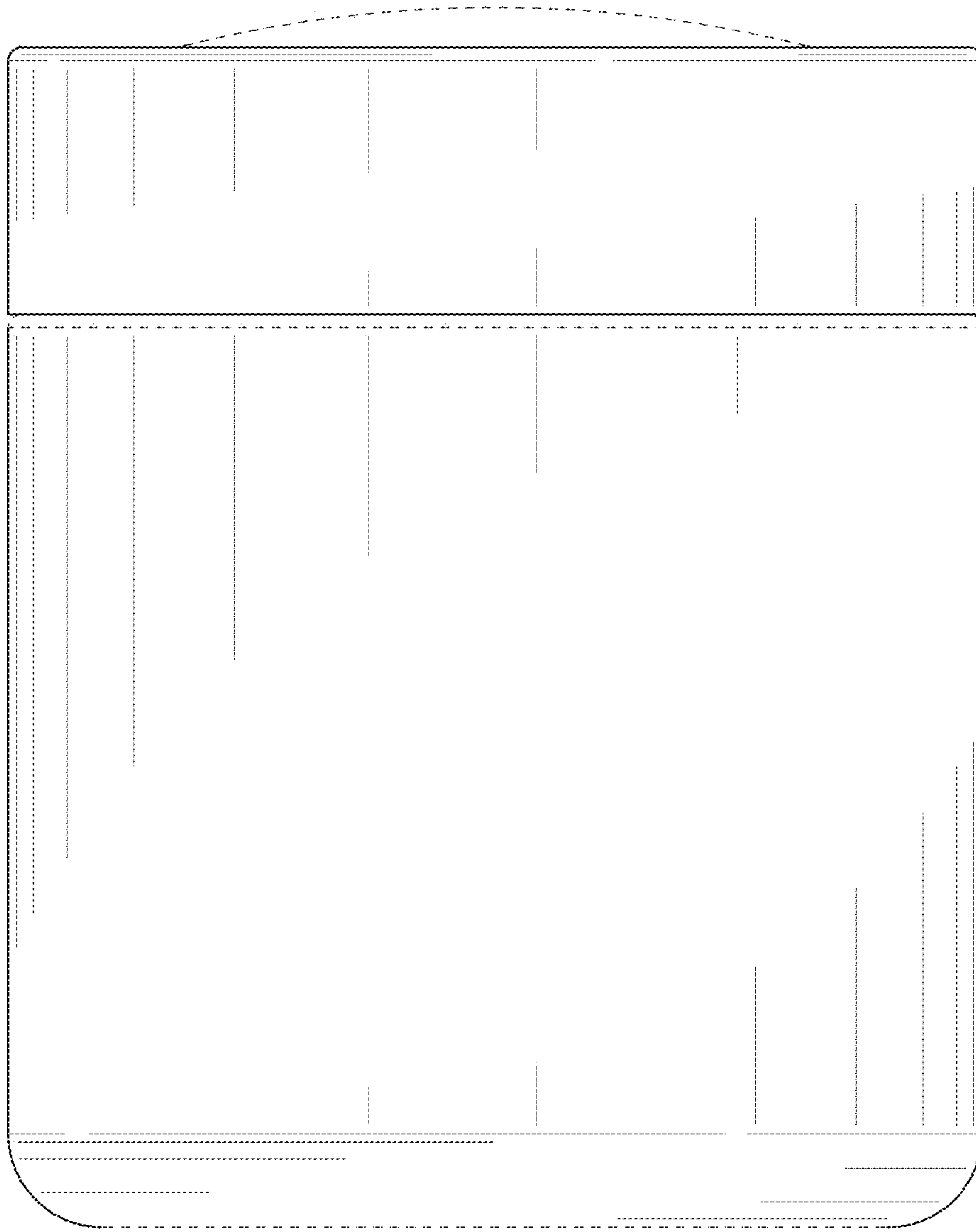


FIG. 31

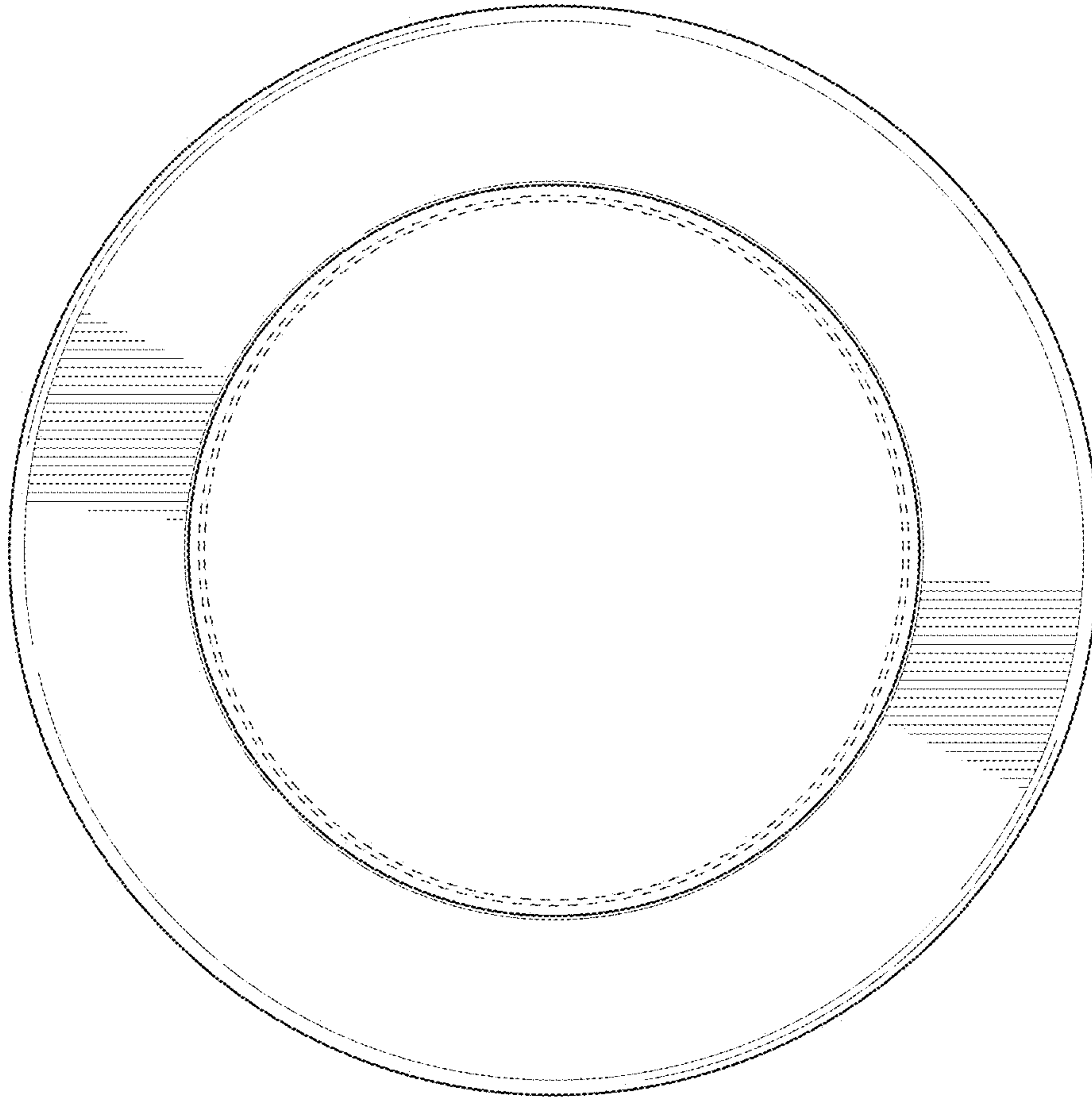


FIG. 32

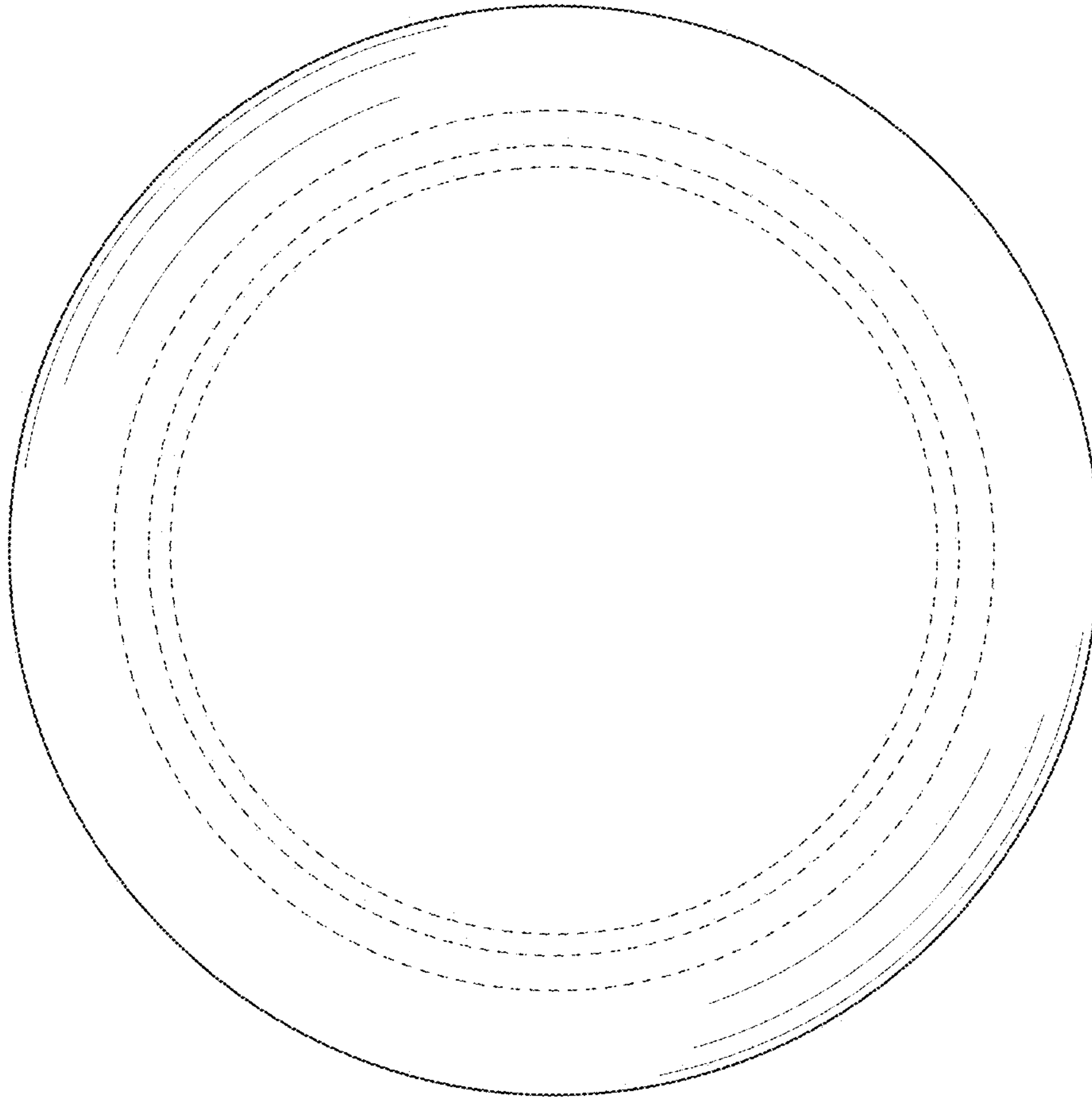


FIG. 33

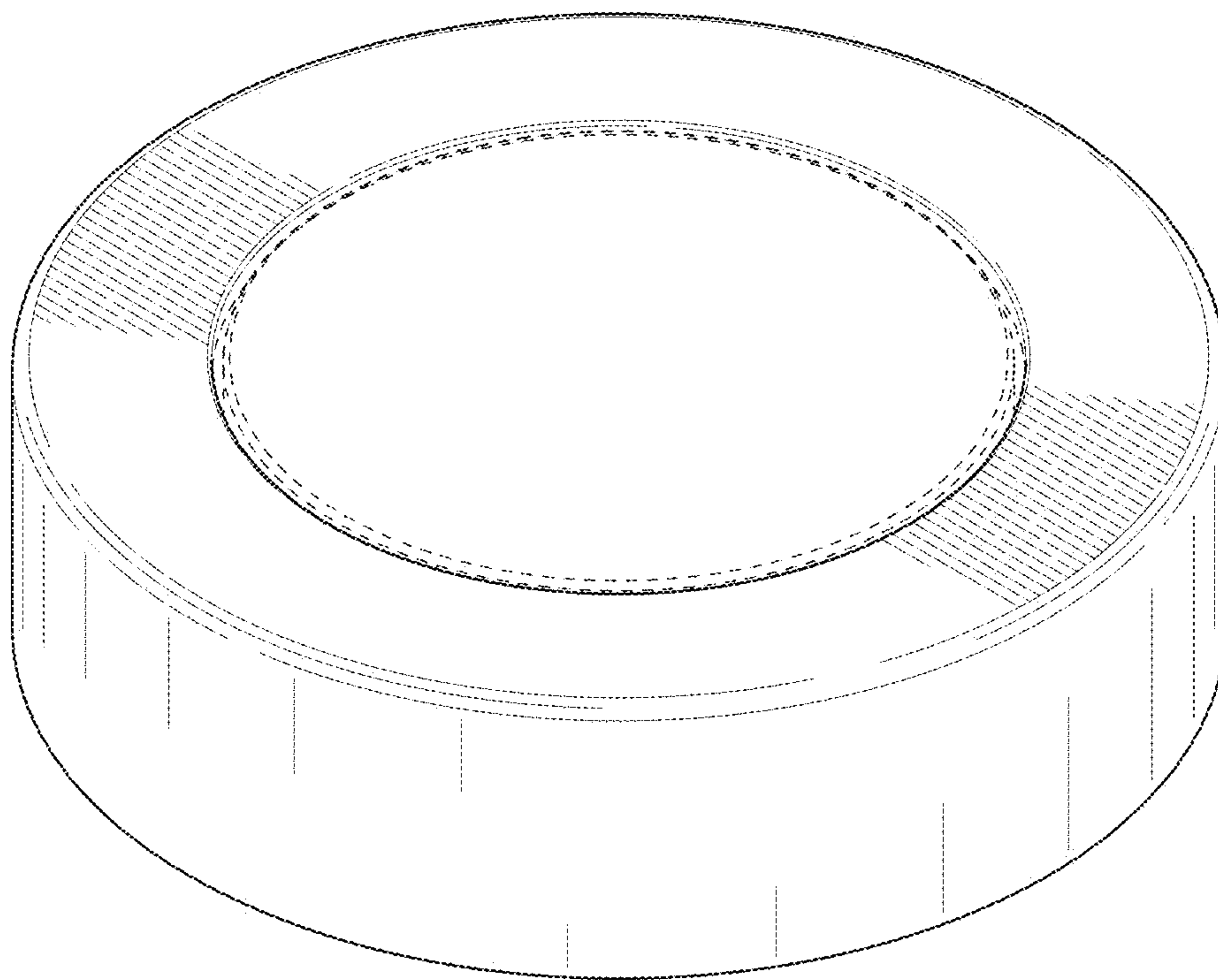


FIG. 34



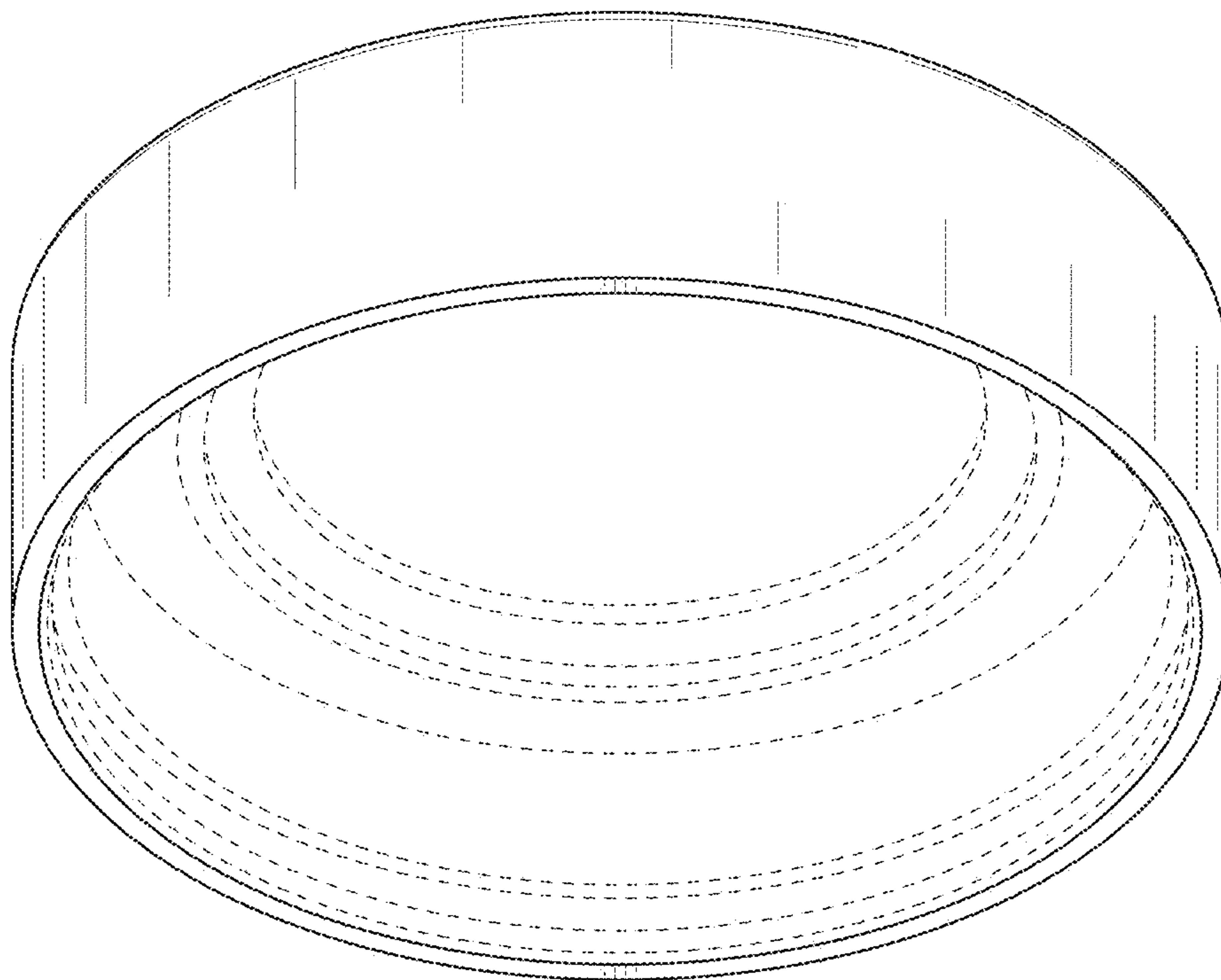


FIG. 35

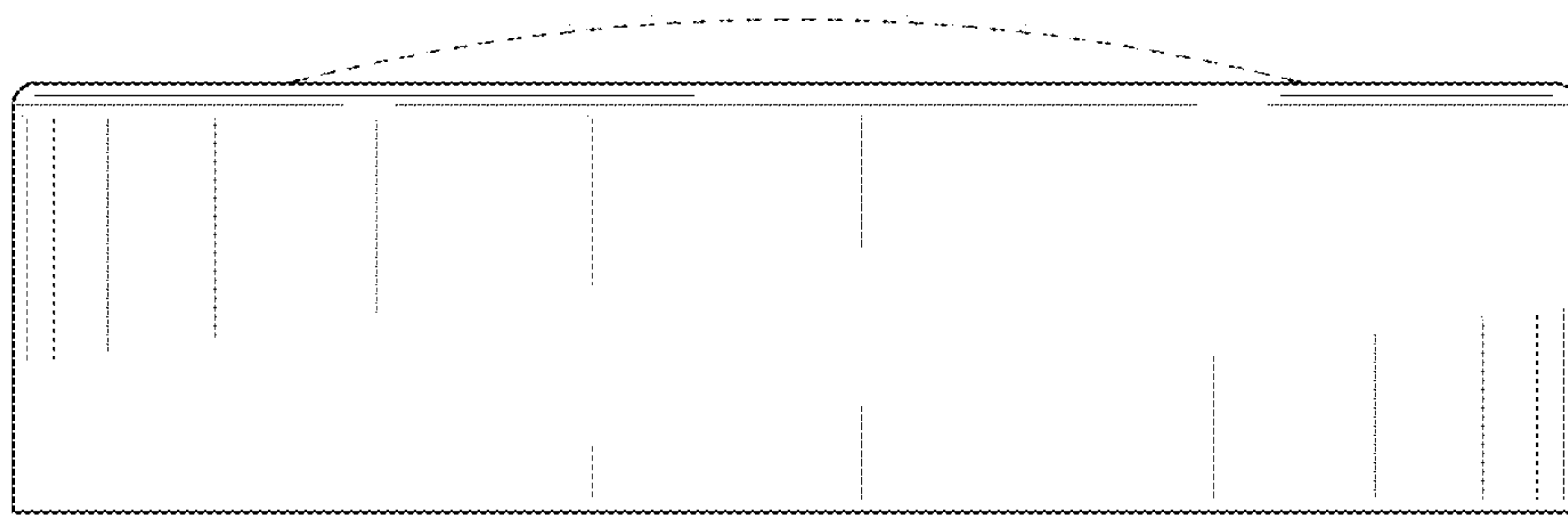


FIG. 36

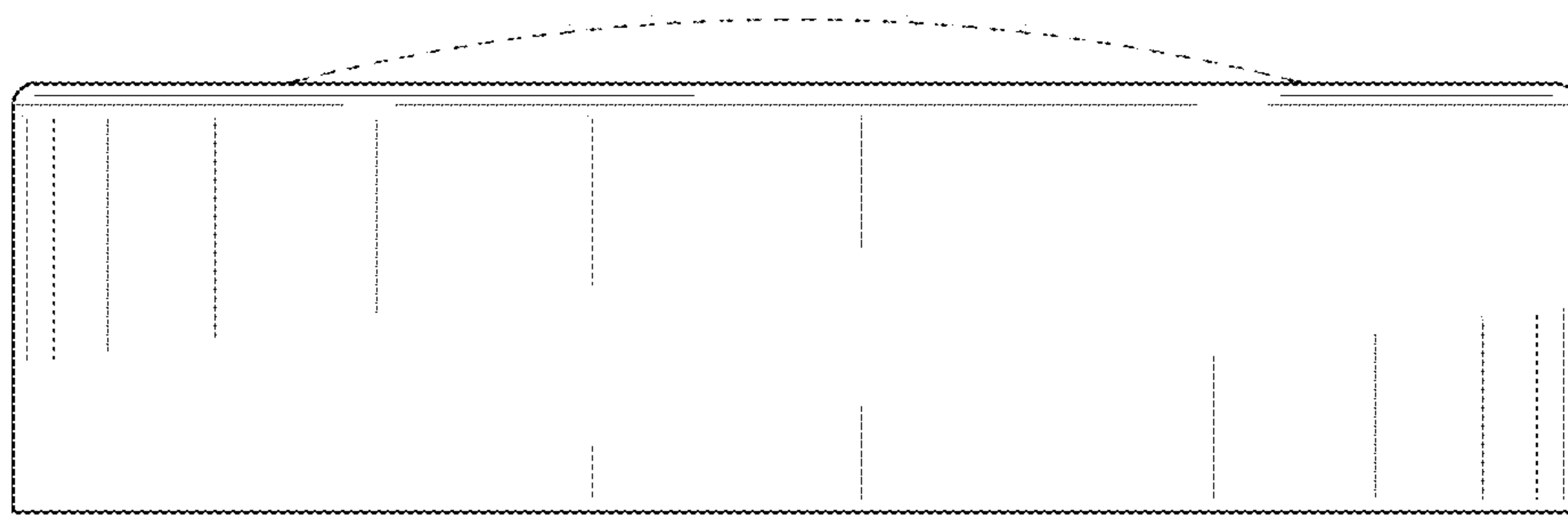


FIG. 37

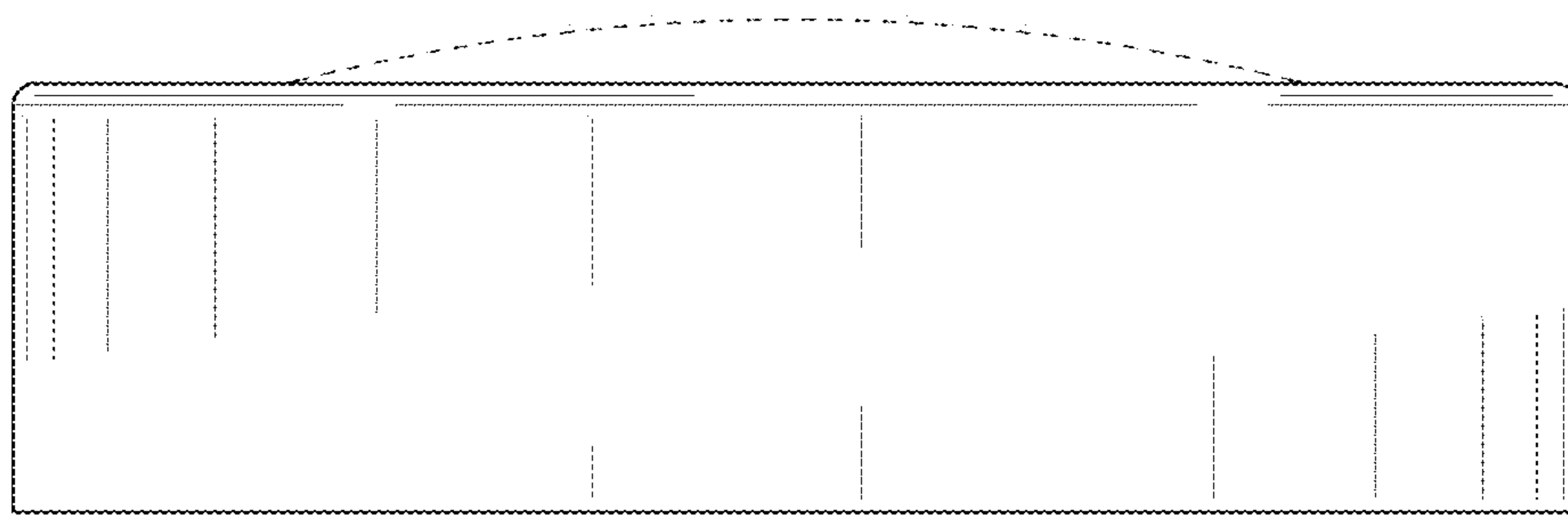


FIG. 38

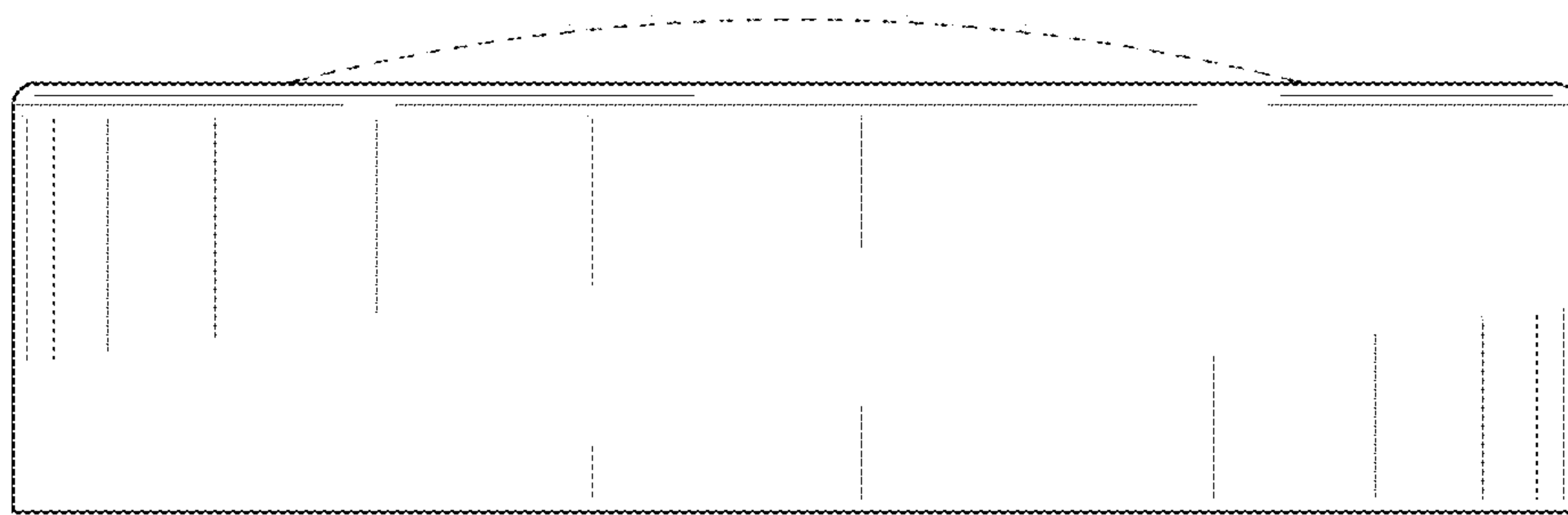


FIG. 39

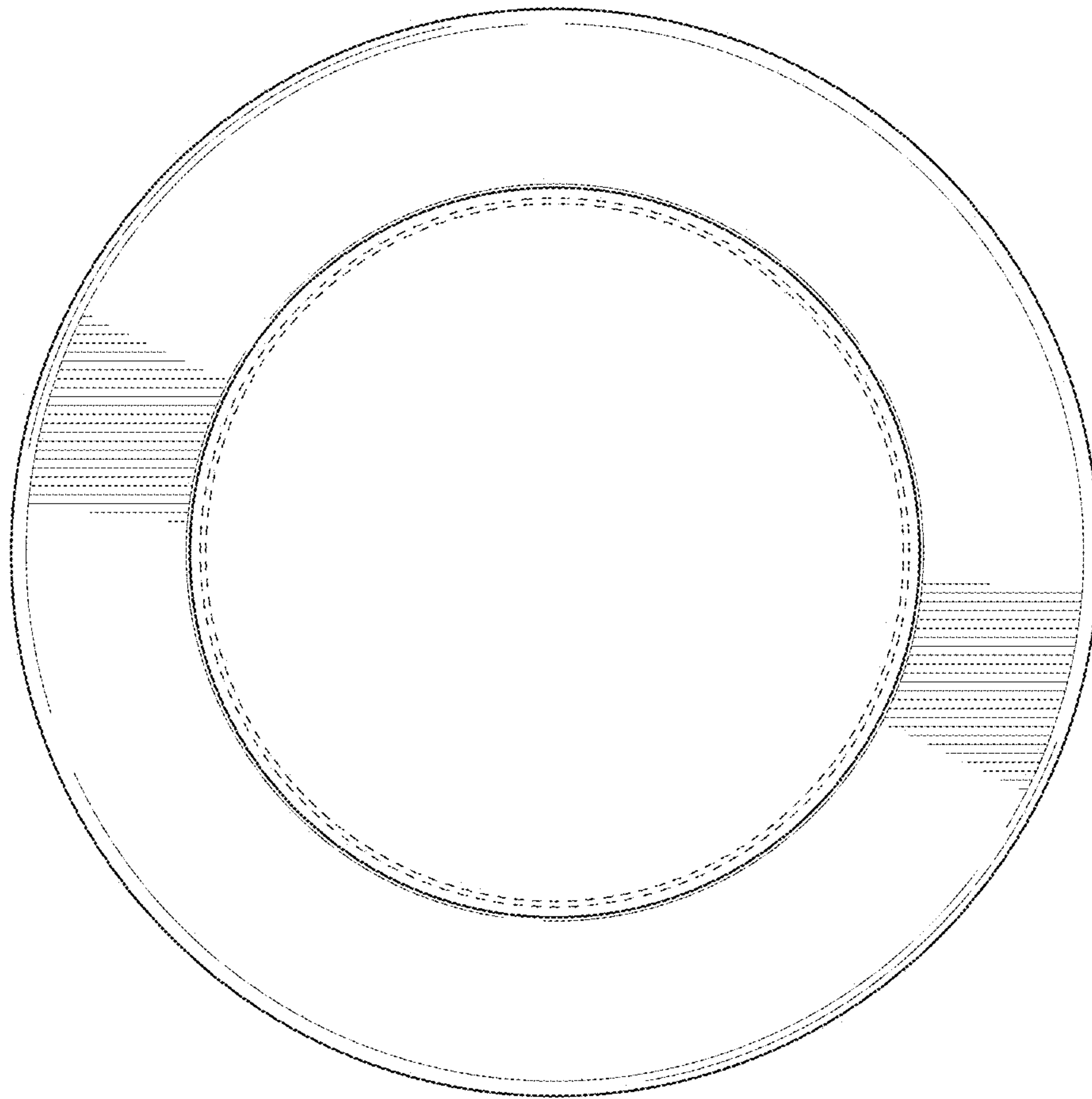


FIG. 40

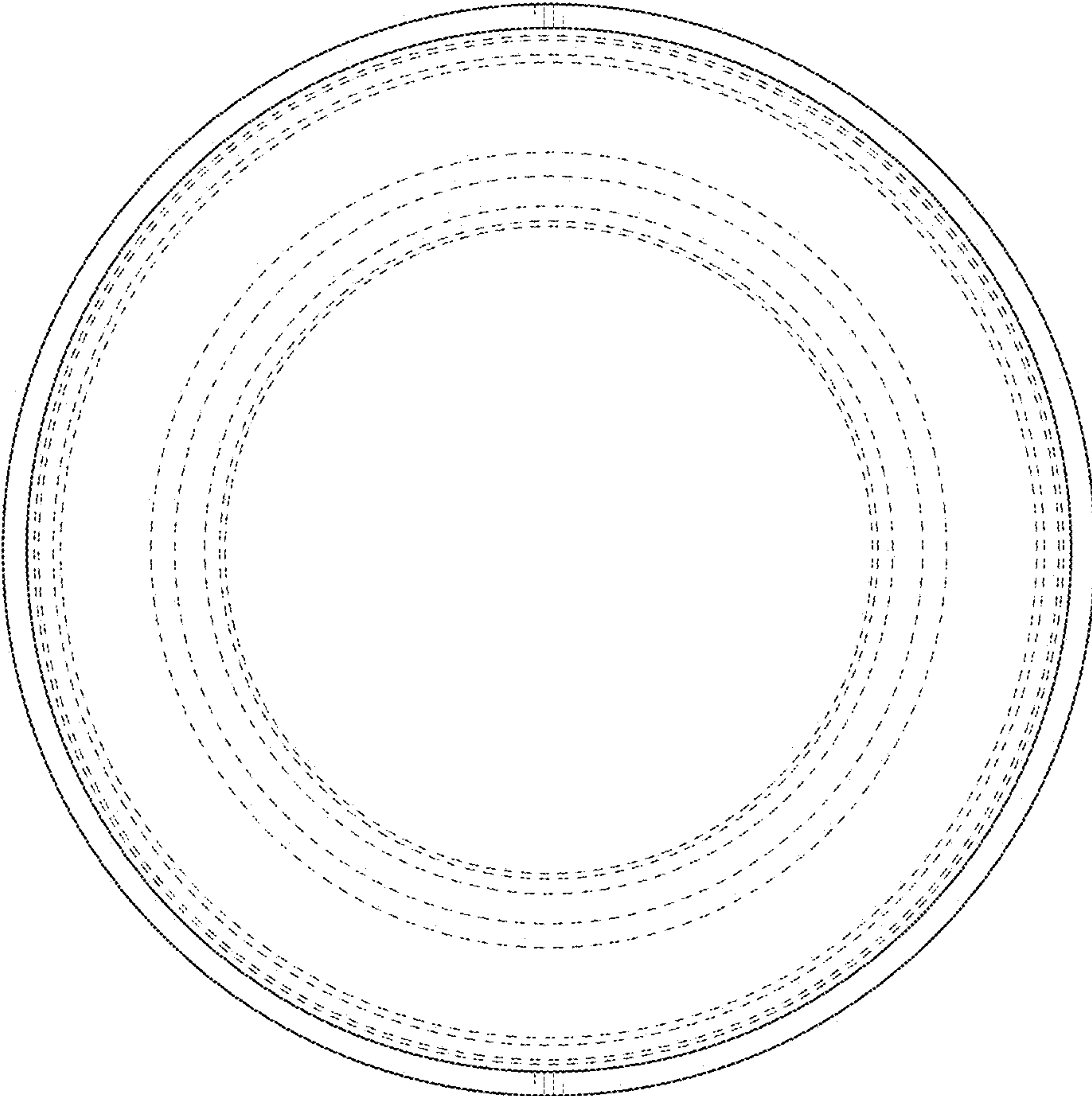


FIG. 41



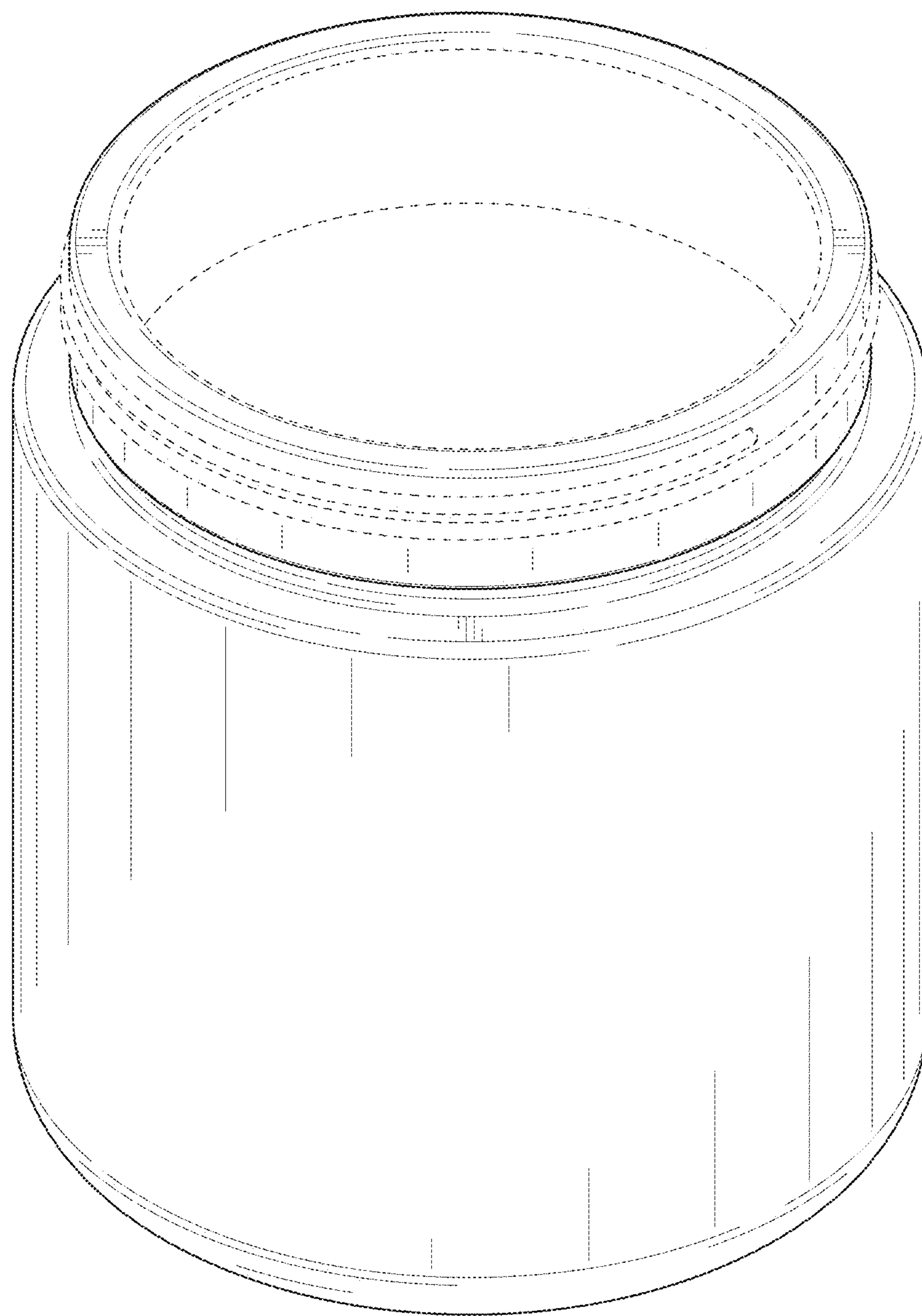


FIG. 42

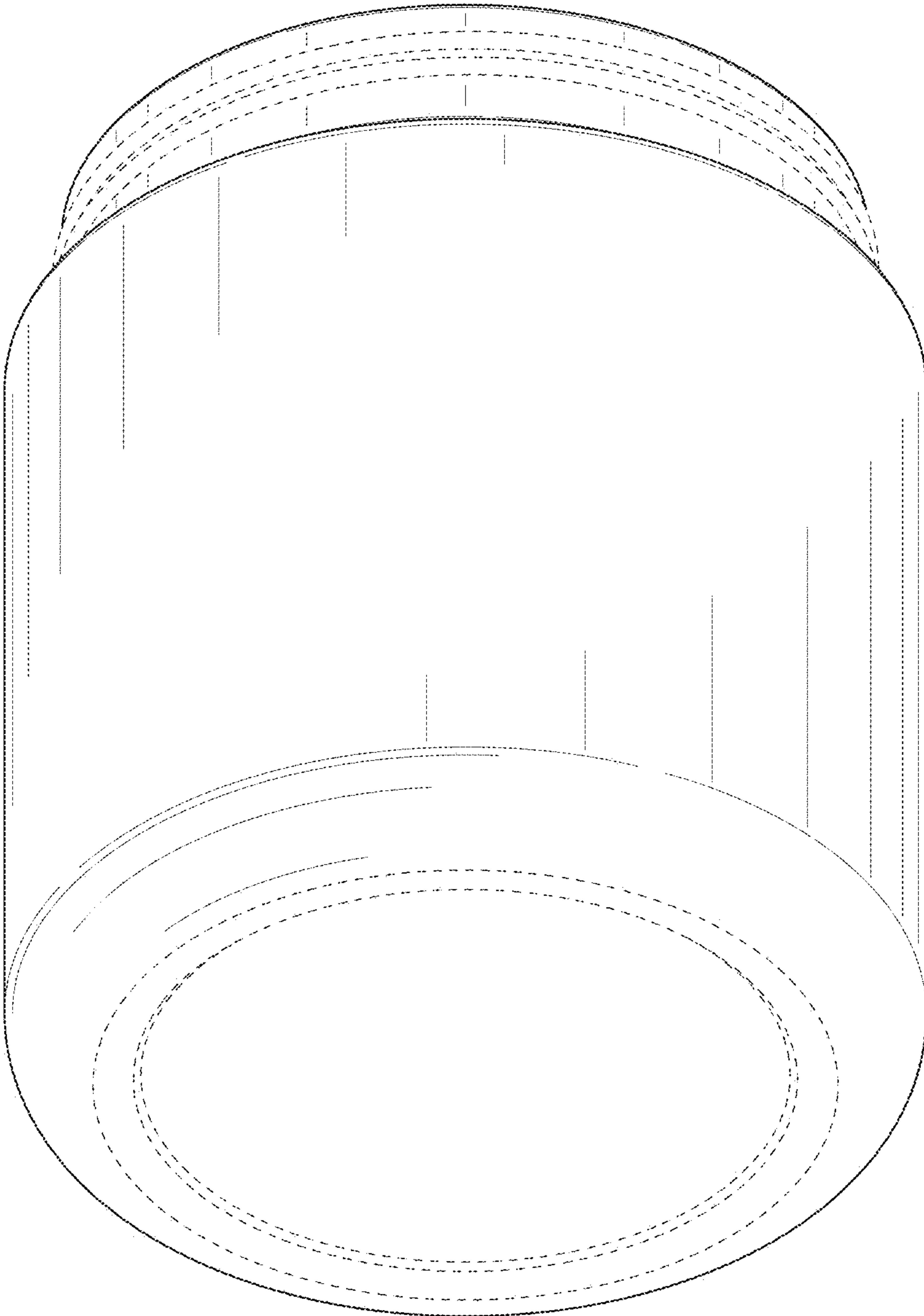


FIG. 43

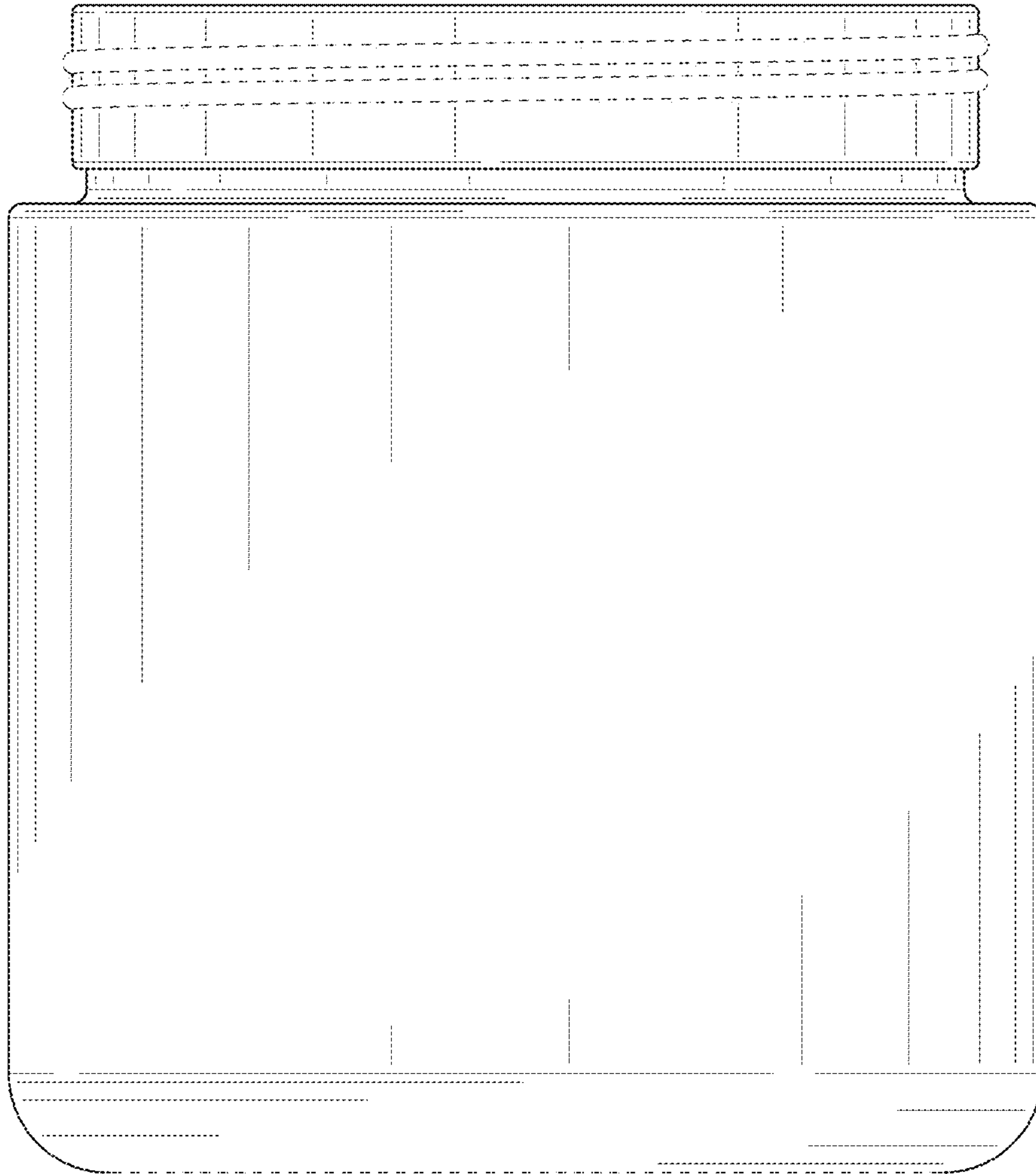


FIG. 44

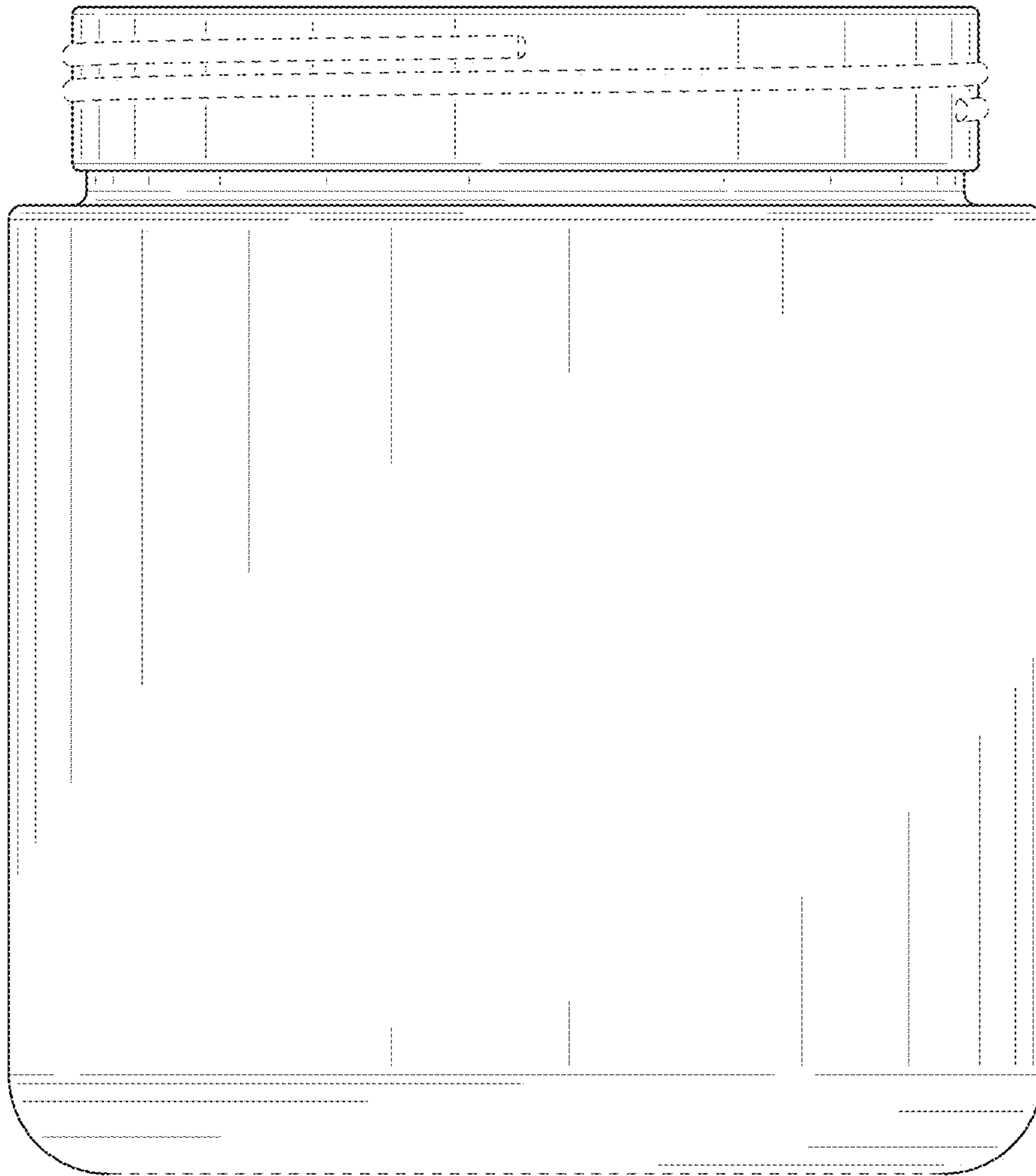


FIG. 45

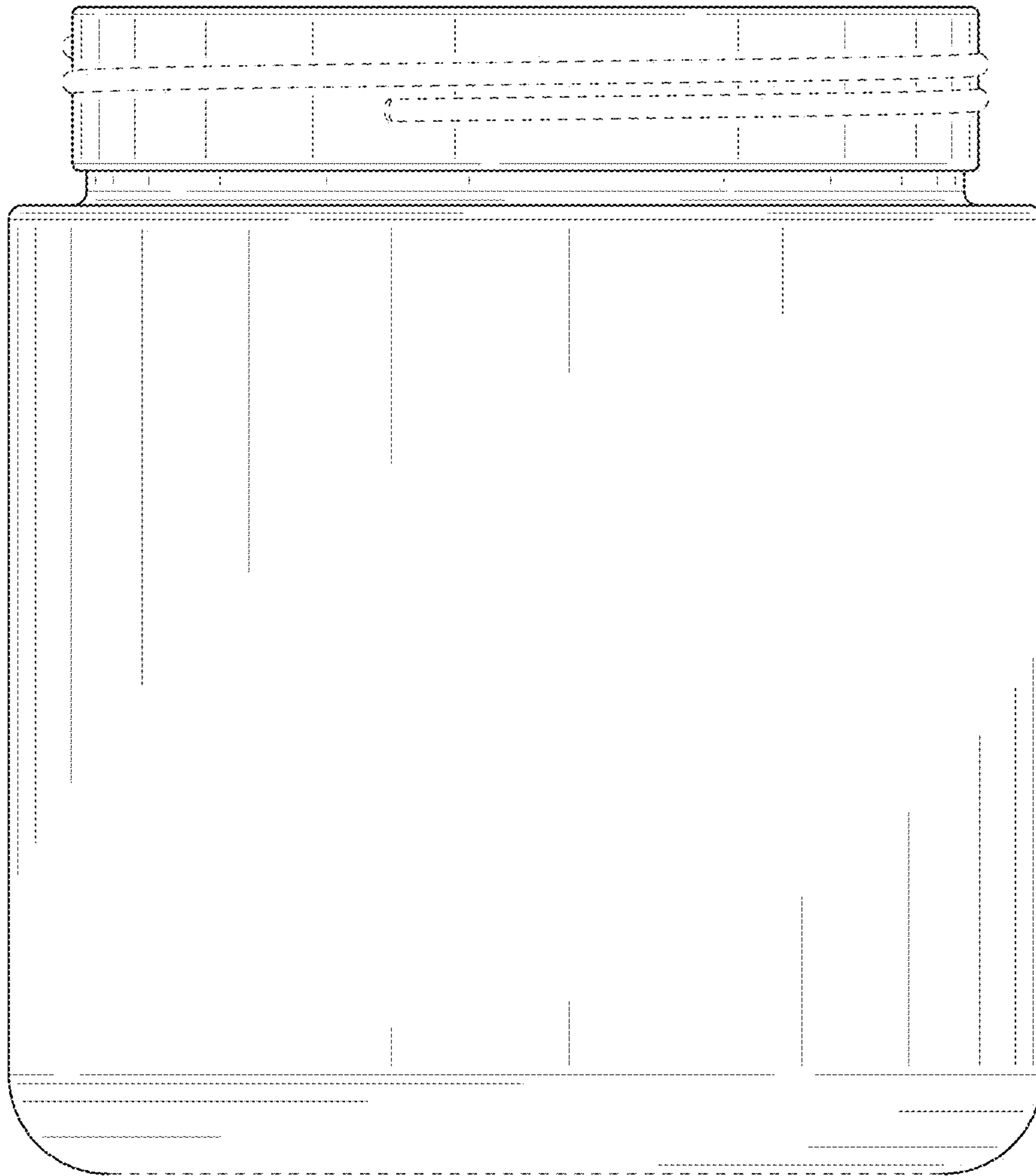


FIG. 46

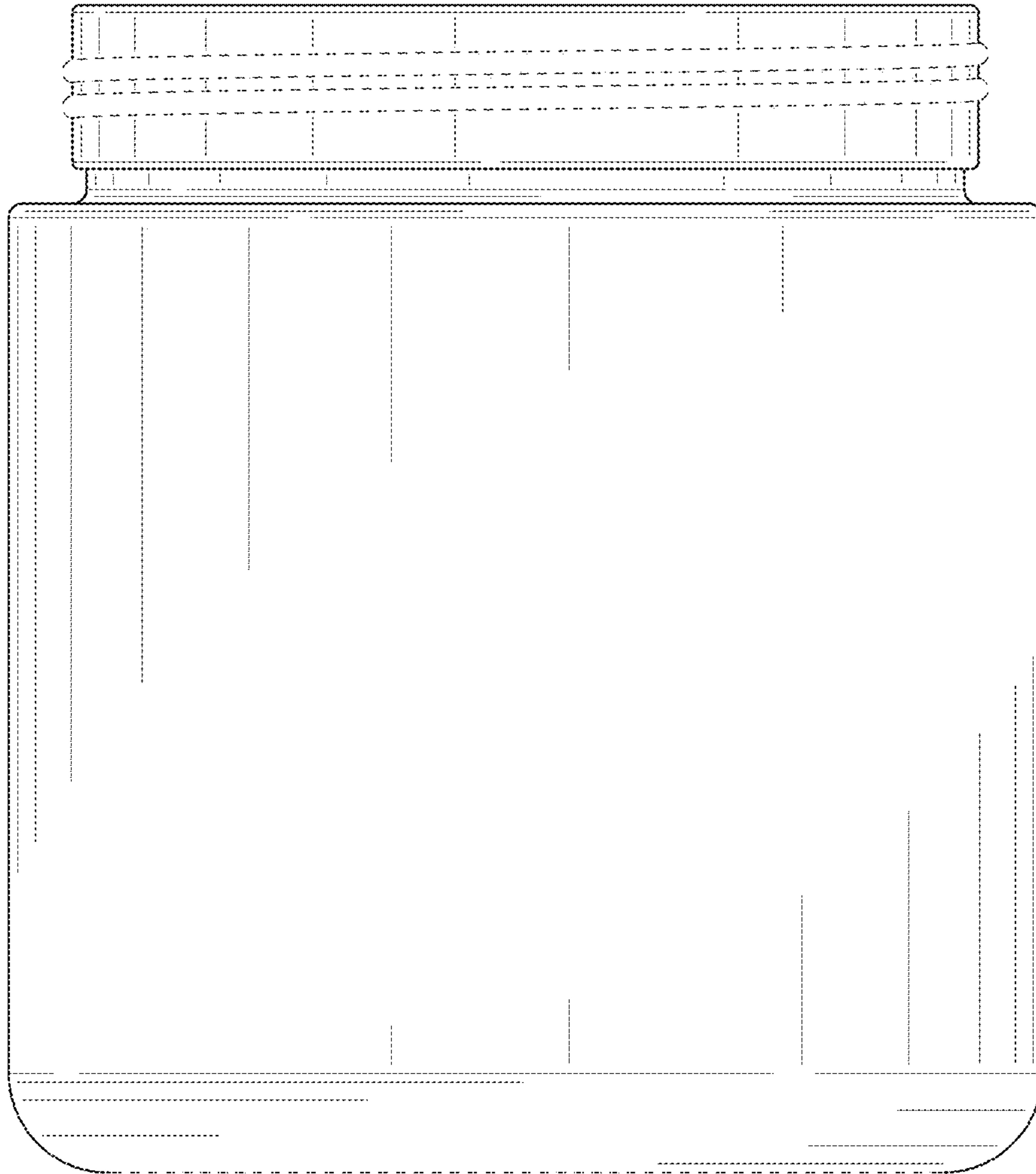


FIG. 47

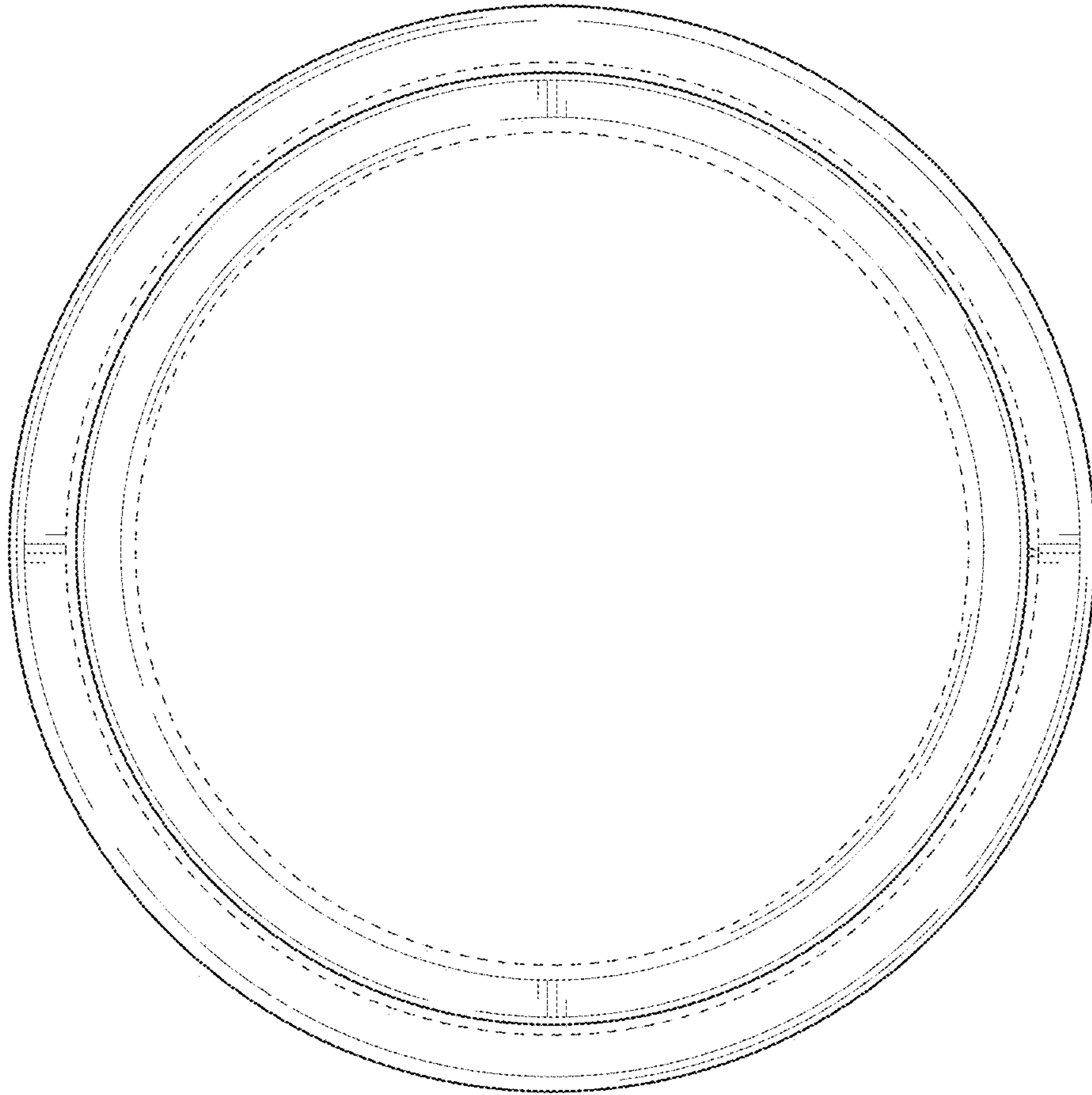


FIG. 48



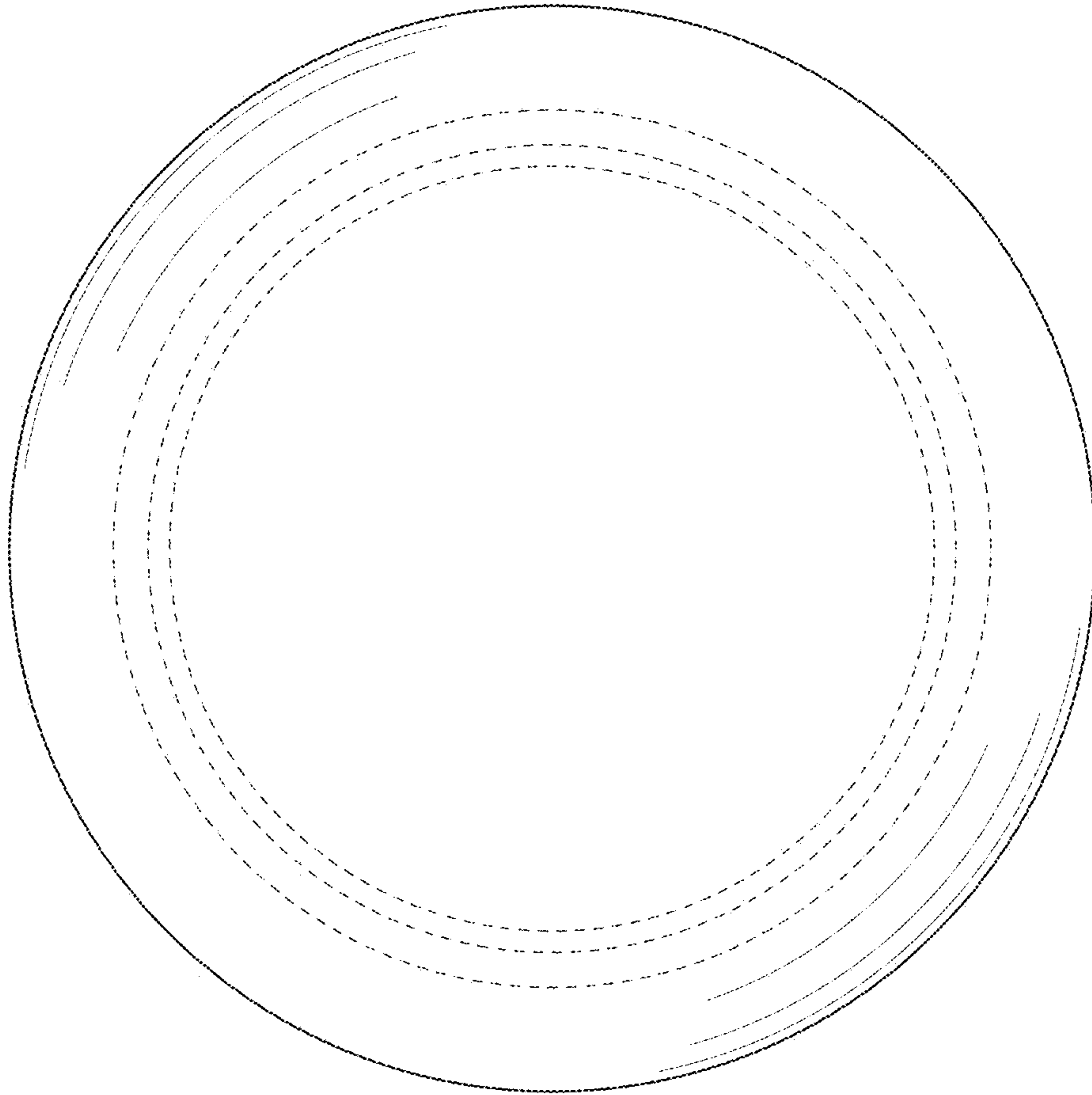


FIG. 49

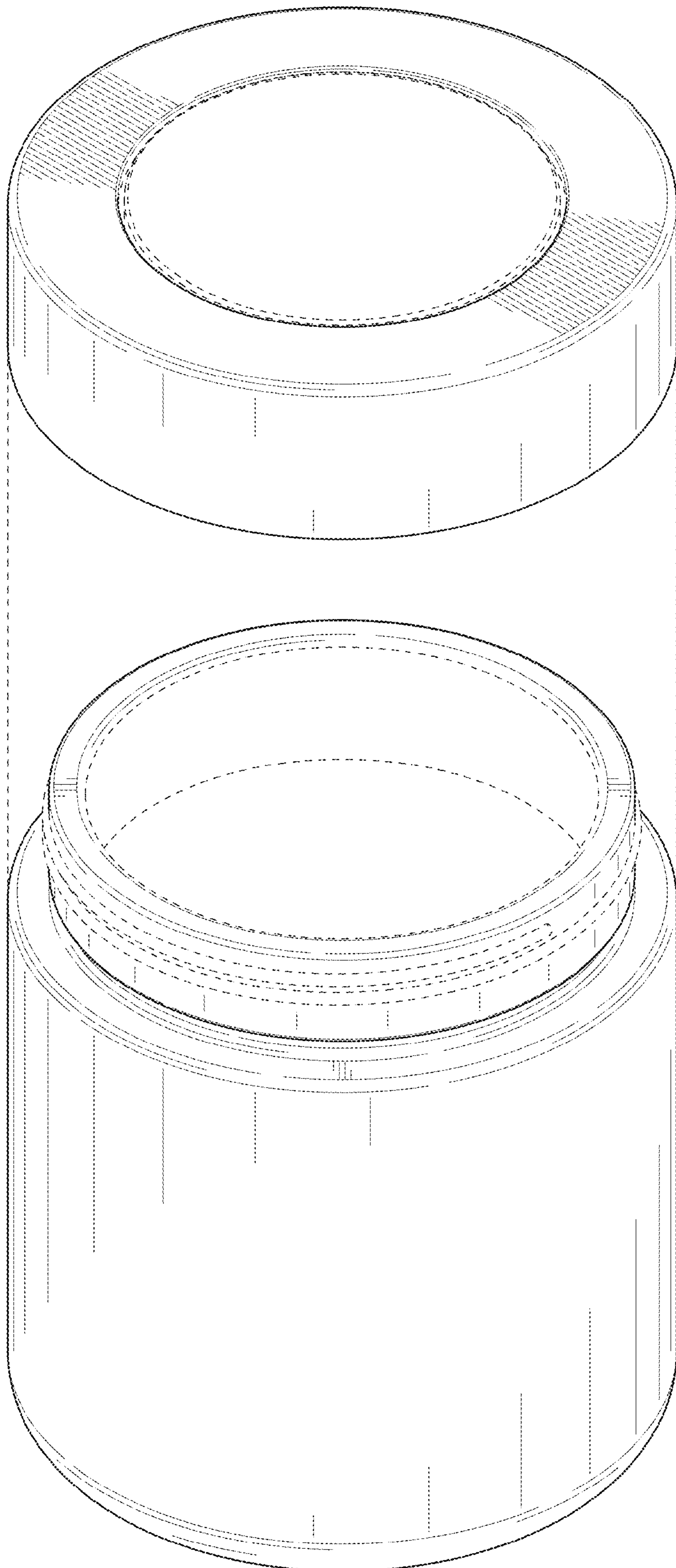


FIG. 50