



US00D917290S

(12) **United States Design Patent** (10) **Patent No.:** **US D917,290 S**
Bravman et al. (45) **Date of Patent:** **** Apr. 27, 2021**

(54) **BOTTLE**

(71) Applicant: **Billie, Inc.**, New York, NY (US)

(72) Inventors: **Jason Bravman**, New York, NY (US);
Georgina Gooley, Brooklyn, NY (US);
Julia Nimocks, Brooklyn, NY (US);
Noemie Le Coz, Brooklyn, NY (US);
Dylan Johnson, Brooklyn, NY (US);
Dilan Walpola, Plano, TX (US); **Daniel Nelson**, Plano, TX (US)

(73) Assignee: **Billie, Inc.**, New York, NY (US)

(**) Term: **15 Years**

(21) Appl. No.: **29/719,082**

(22) Filed: **Dec. 31, 2019**

(51) **LOC (13) Cl.** **09-01**

(52) **U.S. Cl.**
USPC **D9/500; D9/549**

(58) **Field of Classification Search**
USPC D9/428, 454, 500–505, 516, 529, 537,
D9/545, 549, 551, 573–575, 688, 738,
D9/767, 772, 538, 539, 540, 552, 560,
D9/544, 553, 628; D28/4, 8, 76, 78, 79,
D28/82, 91; D26/6, 22; D7/316, 598,
D7/603, 629, 597, 608
CPC B65D 7/04; B65D 1/165; B65D 45/24;
B65D 1/0246; B65D 1/0207; Y10S
220/906; B21D 51/2615; A47G 19/2255
See application file for complete search history.

(56) **References Cited**

U.S. PATENT DOCUMENTS

D258,198 S	*	2/1981	Segal	D9/502
D306,967 S	*	4/1990	Matsuura	D9/502
D424,942 S	*	5/2000	Ohchi	D9/503
D451,026 S	*	11/2001	Heisel	D9/502
D489,984 S	*	5/2004	Futral	D9/500

D500,681 S	*	1/2005	Uchiyama	D9/560
D553,254 S	*	10/2007	Colin	D9/500
D555,002 S	*	11/2007	Lloyd	D9/544
D564,881 S	*	3/2008	Chupak	D9/500
D605,040 S	*	12/2009	Fry	D9/500
D608,202 S	*	1/2010	Caroen	D9/500
D613,165 S	*	4/2010	Lane	D9/500
D622,145 S	*	8/2010	Walsh	D9/500
D635,856 S	*	4/2011	Lauret	D9/500
D638,708 S	*	5/2011	Walsh	D9/500

(Continued)

FOREIGN PATENT DOCUMENTS

CN	302452546	*	6/2013
CN	303698482	*	6/2016
CN	304698182	*	6/2018

OTHER PUBLICATIONS

Conts-Pock PTY LTD-073332281, Industrial Bottles—28 mm neck, web archive date Jun. 11, 2011, URL: <https://www.contapack.com.au/industrial-bottles> (Year: 2011).*

(Continued)

Primary Examiner — Brett Miller
Assistant Examiner — Rani J Abdallah
(74) *Attorney, Agent, or Firm* — Lowenstein Sandler LLP

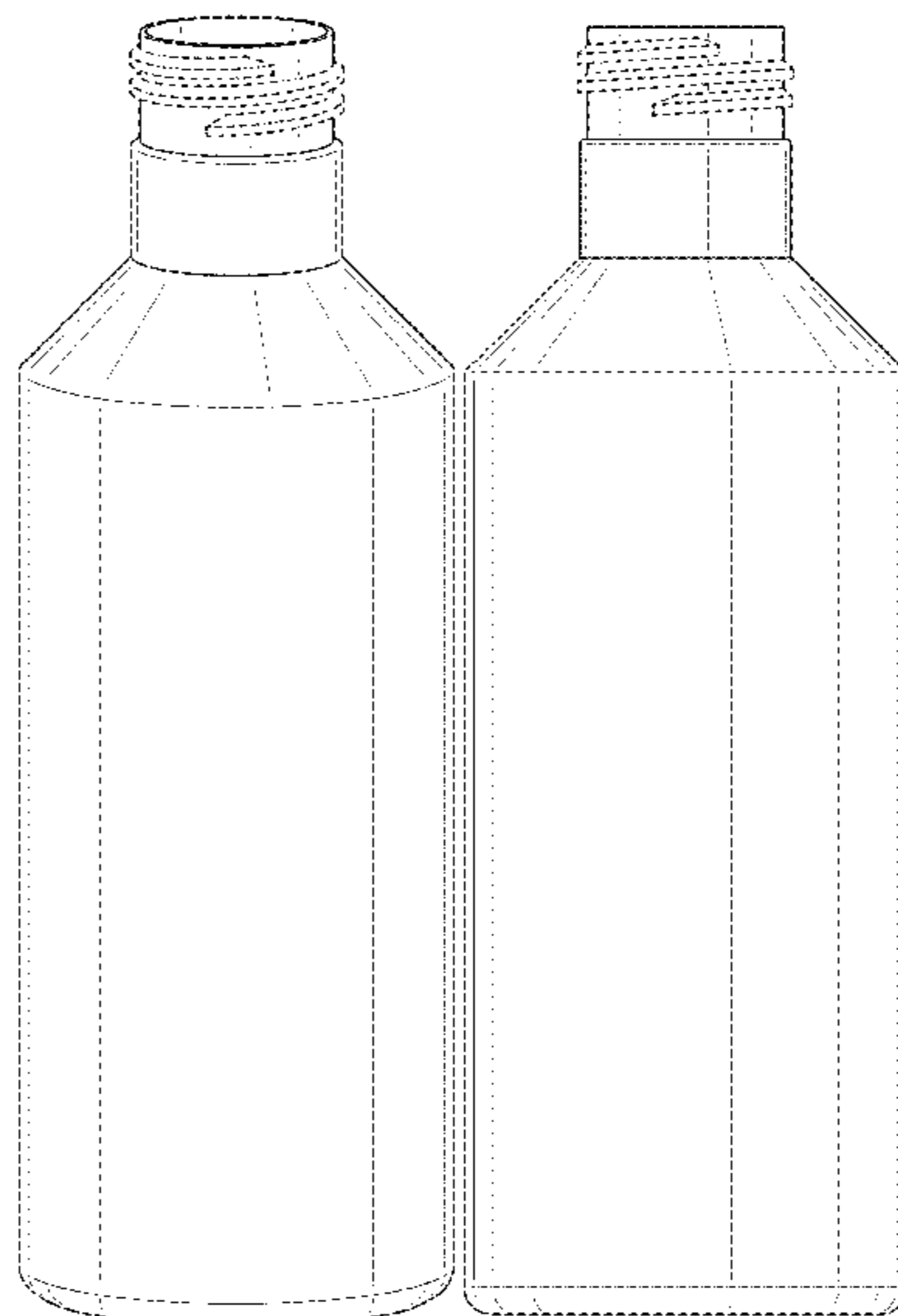
(57) **CLAIM**

The ornamental design of a bottle, as substantially shown and described.

DESCRIPTION

FIG. 1 is a perspective view of a bottle in accordance with the present invention;
FIG. 2 is an elevation view thereof;
FIG. 3 is a top plan view thereof; and,
FIG. 4 is a bottom plan view thereof.
The portions of the bottle shown in broken lines form no part of the claimed design.

1 Claim, 3 Drawing Sheets



(56)

References Cited

U.S. PATENT DOCUMENTS

D639,164 S * 6/2011 Walsh D9/500
 D656,025 S * 3/2012 Carreno D9/500
 D669,355 S * 10/2012 Gonzalez Rodriguez D9/500
 D678,772 S * 3/2013 Johnson D9/500
 D684,059 S * 6/2013 Johnson D9/500
 D684,483 S * 6/2013 Jahina D9/772
 D686,078 S * 7/2013 Johnson D9/503
 D686,079 S * 7/2013 Johnson D9/503
 D687,710 S * 8/2013 Johnson D9/500
 D688,949 S * 9/2013 Johnson D9/503
 D694,120 S * 11/2013 Baussan D9/560
 D694,627 S * 12/2013 Sultan D9/500
 D696,946 S * 1/2014 Hines D9/500
 D697,407 S * 1/2014 Hines D9/500
 D702,553 S * 4/2014 Jentsch D9/500
 D734,154 S * 7/2015 Johnson D9/500
 D739,731 S * 9/2015 Jones D9/500

D796,901 S * 9/2017 Pisarevsky D9/504
 D812,478 S * 3/2018 Hines D9/500
 D828,162 S * 9/2018 Windelinckx D9/500
 D839,050 S * 1/2019 Sibbert D9/503
 D844,433 S * 4/2019 Hall D9/500
 D851,996 S * 6/2019 Umholtz D9/503
 D857,505 S * 8/2019 Hines D9/500
 D858,287 S * 9/2019 Hines D9/500
 D867,519 S * 11/2019 Furgurson D9/503
 D902,722 S * 11/2020 Shiota D9/503
 2008/0011702 A1 * 1/2008 Walsh B65D 1/0207
 215/44

OTHER PUBLICATIONS

Plastic Bottles, Natural HDPE Cylinder Bottles With Black Ribbed Snap Caps, web archive date May 16, 2015, URL:<https://www.sks-bottle.com/340c/fin107a.html> (Year: 2015).*

* cited by examiner

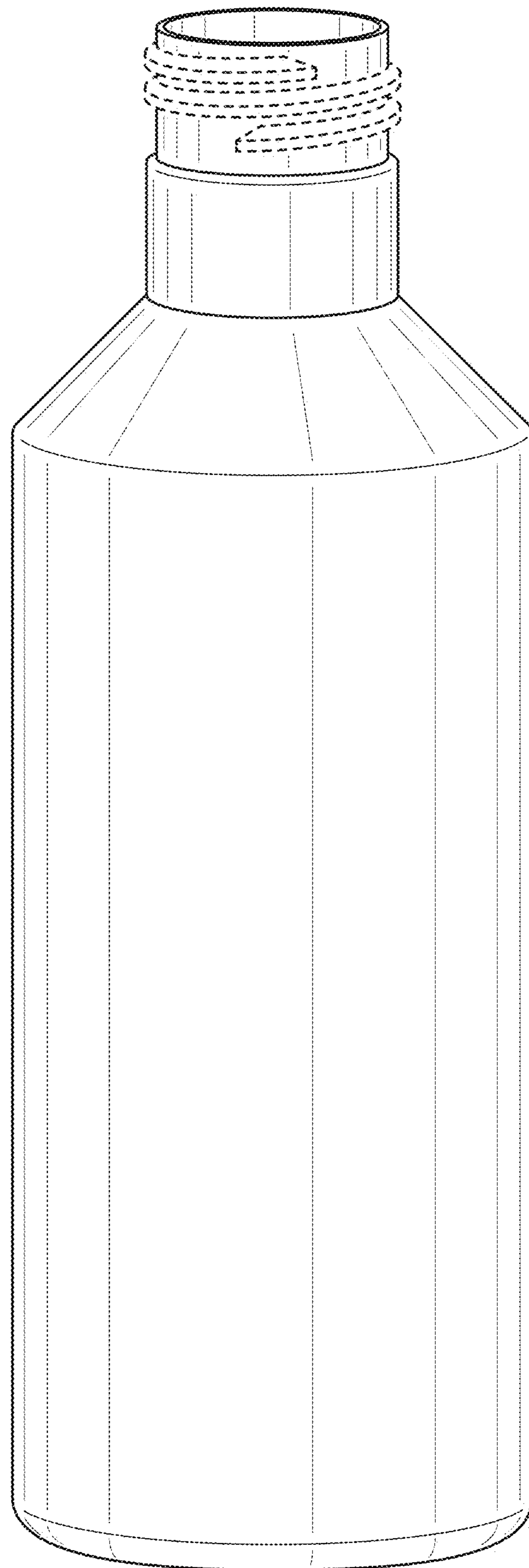


FIG. 1

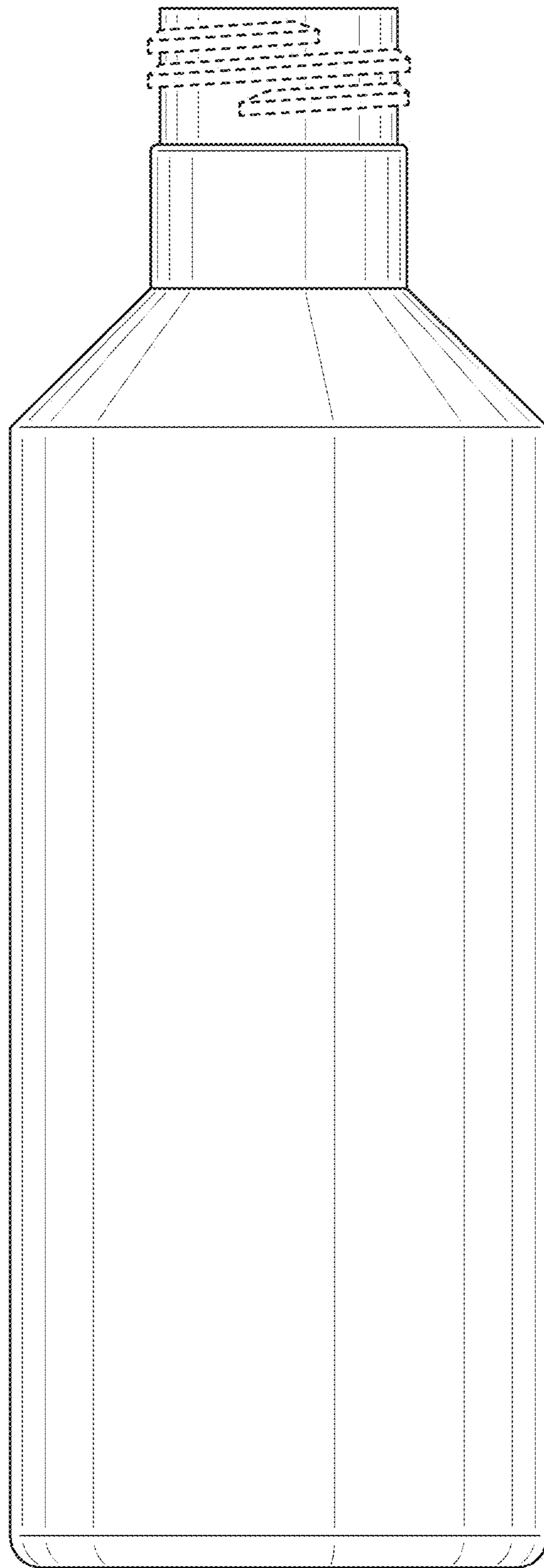


FIG. 2

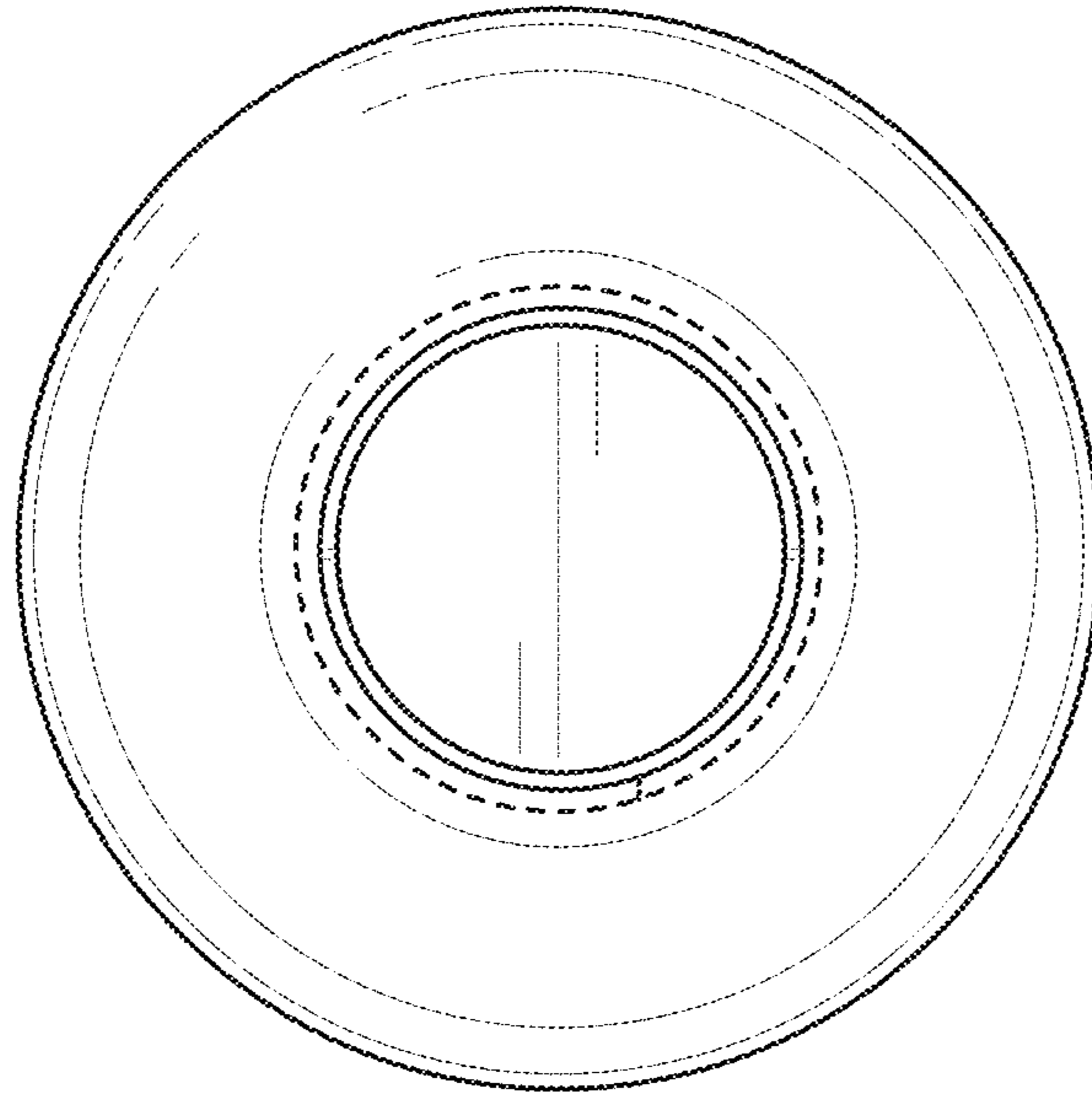


FIG. 3

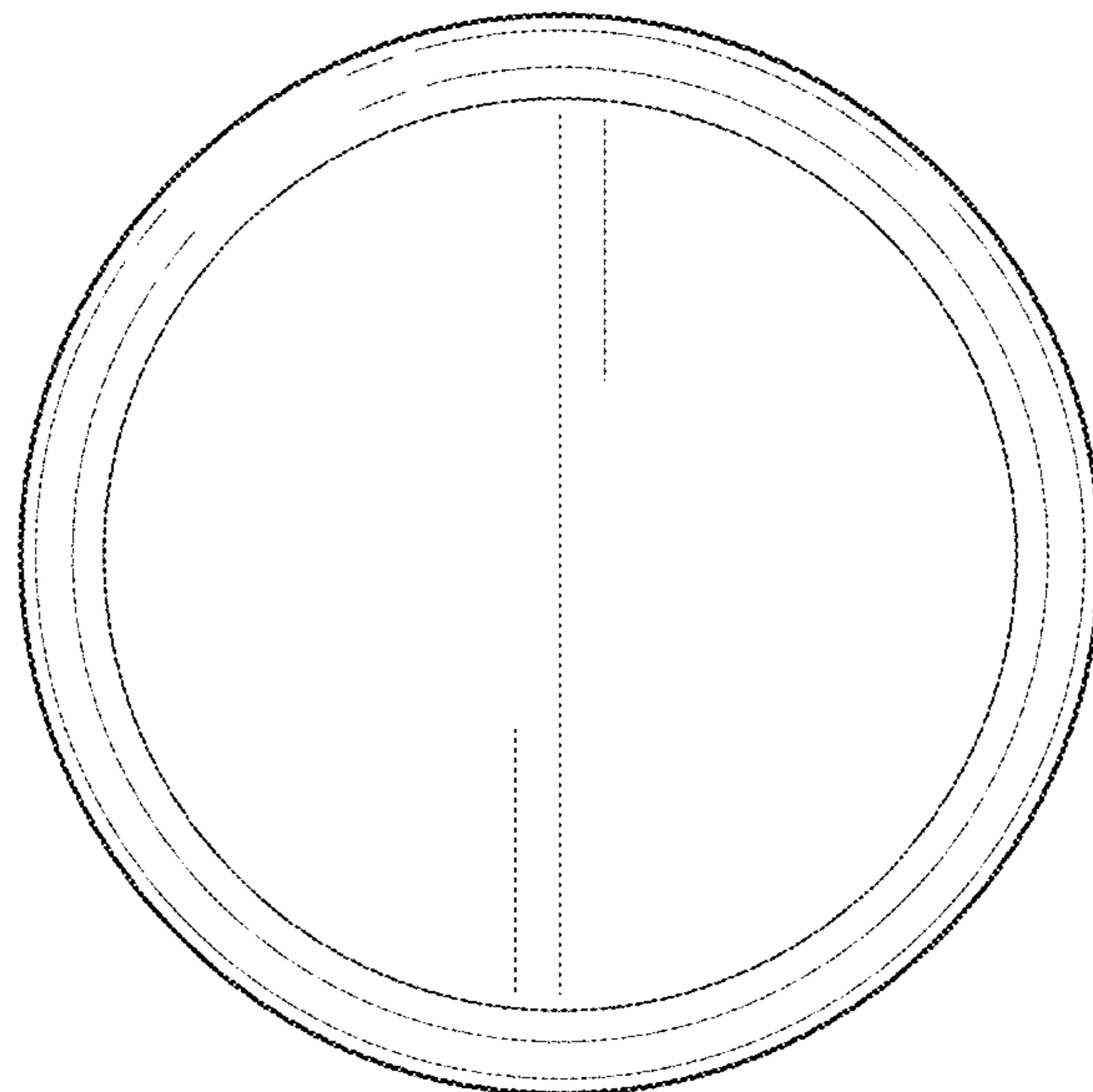


FIG. 4