



US00D917286S

(12) **United States Design Patent**  
**Graux**

(10) **Patent No.:** **US D917,286 S**  
(45) **Date of Patent:** **\*\* Apr. 27, 2021**

- (54) **BOTTLE CLOSURE**
- (71) Applicant: **Novembal USA Inc.**, Edison, NJ (US)
- (72) Inventor: **Stephane Graux**, Liergues (FR)
- (73) Assignee: **Novembal USA Inc.**, Edison, NJ (US)
- (\*\*) Term: **15 Years**
- (21) Appl. No.: **29/713,546**
- (22) Filed: **Nov. 16, 2019**
- (51) **LOC (13) Cl.** ..... **09-07**
- (52) **U.S. Cl.**  
USPC ..... **D9/436**
- (58) **Field of Classification Search**  
USPC ..... D7/509, 510, 511, 624.1, 387, 391, 392,  
D7/392.1, 393, 396.1, 396.2; D9/434,  
D9/435, 439, 445, 447, 451, 454, 438,  
D9/440, 443, 452, 453; D23/259, 260,  
D23/261, 209, 210; D24/162, 127  
CPC .... B65D 43/265; B65D 17/506; B65D 47/04;  
B65D 47/06; B65D 47/08; B65D 47/20;  
B65D 1/00; B65D 1/02; B65D 1/10;  
B65D 1/46; B65D 2585/56; B65D  
2585/545; B65D 41/00; B65D 41/38;  
B65D 41/56; B65D 41/62; B65D 47/00;  
B65D 23/00; B65D 51/1694; B65D  
43/0212; B65D 43/0208; B65D  
2543/00046; B65D 2543/00092; B65D  
1/24; B65D 25/04; B65D 43/09; B65D  
43/16; A61J 1/00; A61J 1/1412; A61J  
1/02  
See application file for complete search history.

- (56) **References Cited**  
U.S. PATENT DOCUMENTS  
D291,536 S \* 8/1987 Crawford ..... D9/440  
D291,537 S \* 8/1987 Crawford ..... D9/440  
D298,014 S \* 10/1988 McGlyn ..... D9/446  
D306,701 S \* 3/1990 Beck ..... D9/446

- D320,746 S \* 10/1991 Bolen, Jr. .... D9/446
- D353,328 S \* 12/1994 Nuffer ..... D9/445
- D362,186 S \* 9/1995 Thanisch ..... D9/446
- D364,810 S \* 12/1995 Meisner ..... D9/446
- D367,424 S \* 2/1996 Thanisch ..... D9/446
- D475,923 S \* 6/2003 Renz ..... D9/446
- D727,093 S \* 4/2015 Lapsker ..... D7/396.2
- 9,884,706 B1 \* 2/2018 Skillin ..... B65D 47/18
- D817,088 S \* 5/2018 Shirley ..... D7/396.2
- D857,502 S \* 8/2019 Fracasso ..... D9/449
- D863,874 S \* 10/2019 Melanson ..... D7/392
- D873,604 S \* 1/2020 Lowette ..... D7/392
- D885,124 S \* 5/2020 Yessin ..... D7/396.2
- D885,829 S \* 6/2020 Bodum ..... D7/392.1
- D889,194 S \* 7/2020 Han ..... D7/392.1
- D896,570 S \* 9/2020 Berroa Garcia ..... D7/392.1

**OTHER PUBLICATIONS**

Novemba Novaqua Bottle Closure: Site Visited [Dec. 30, 2020]. Available from Internet URL: <https://www.novembal.com/en/home-office-delivery/home-office-delivery/novaqua-hod-55-ns-linerless-prd-12>.\*

\* cited by examiner

*Primary Examiner* — Catherine S Posthauer

(57) **CLAIM**

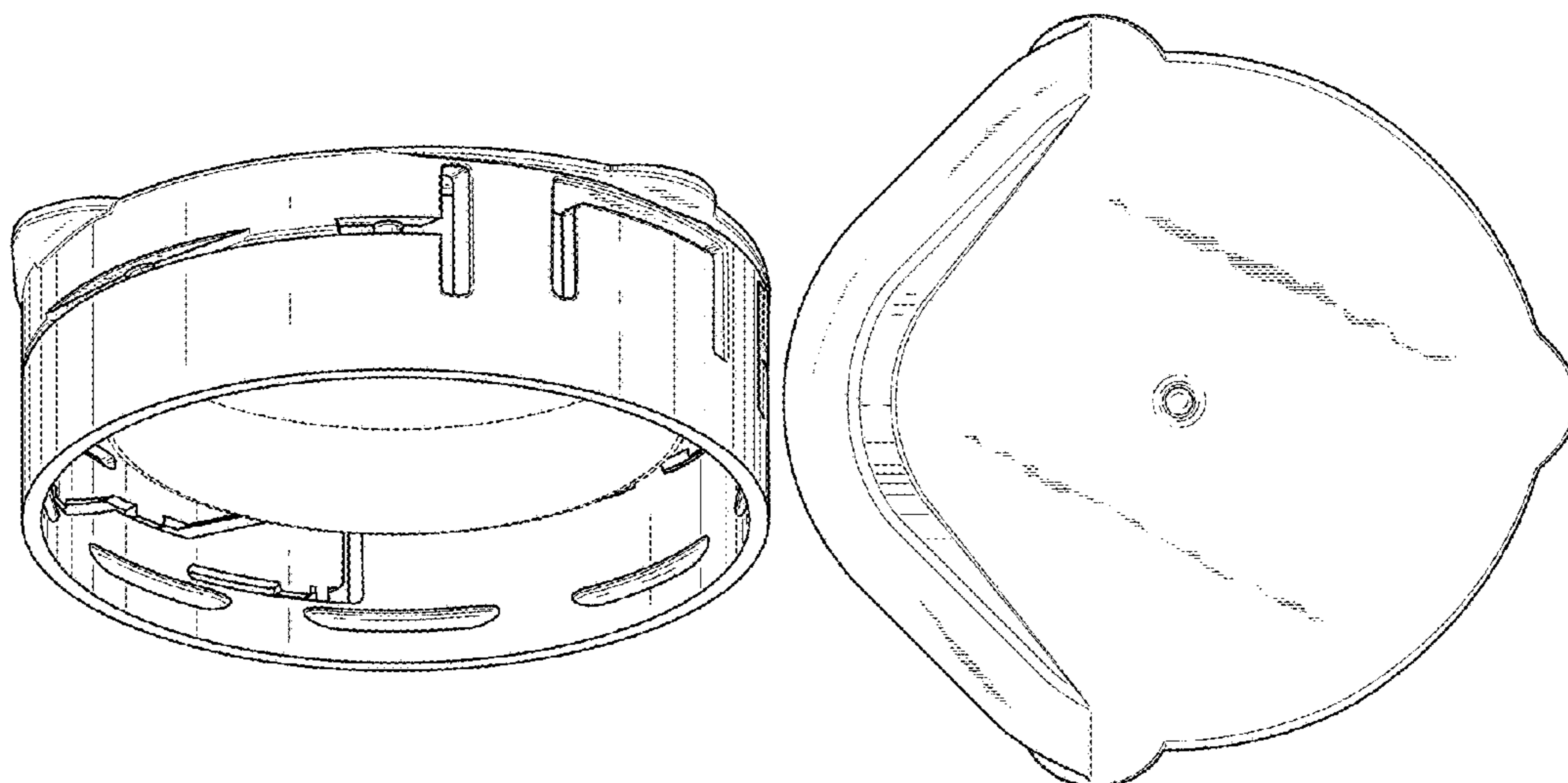
I claim the ornamental design for a bottle closure, as shown and described.

**DESCRIPTION**

FIG. 1 is a bottom perspective view of a bottle closure, in accordance with my new design;  
FIG. 2 is a left view thereof;  
FIG. 3 is a right view thereof;  
FIG. 4 is a front view thereof;  
FIG. 5 is a back view thereof;  
FIG. 6 is a top plan view thereof; and,  
FIG. 7 is a bottom view thereof.

The broken lines are shown for the purpose of illustrating parts of the article that form no part of the claimed design.

**1 Claim, 7 Drawing Sheets**



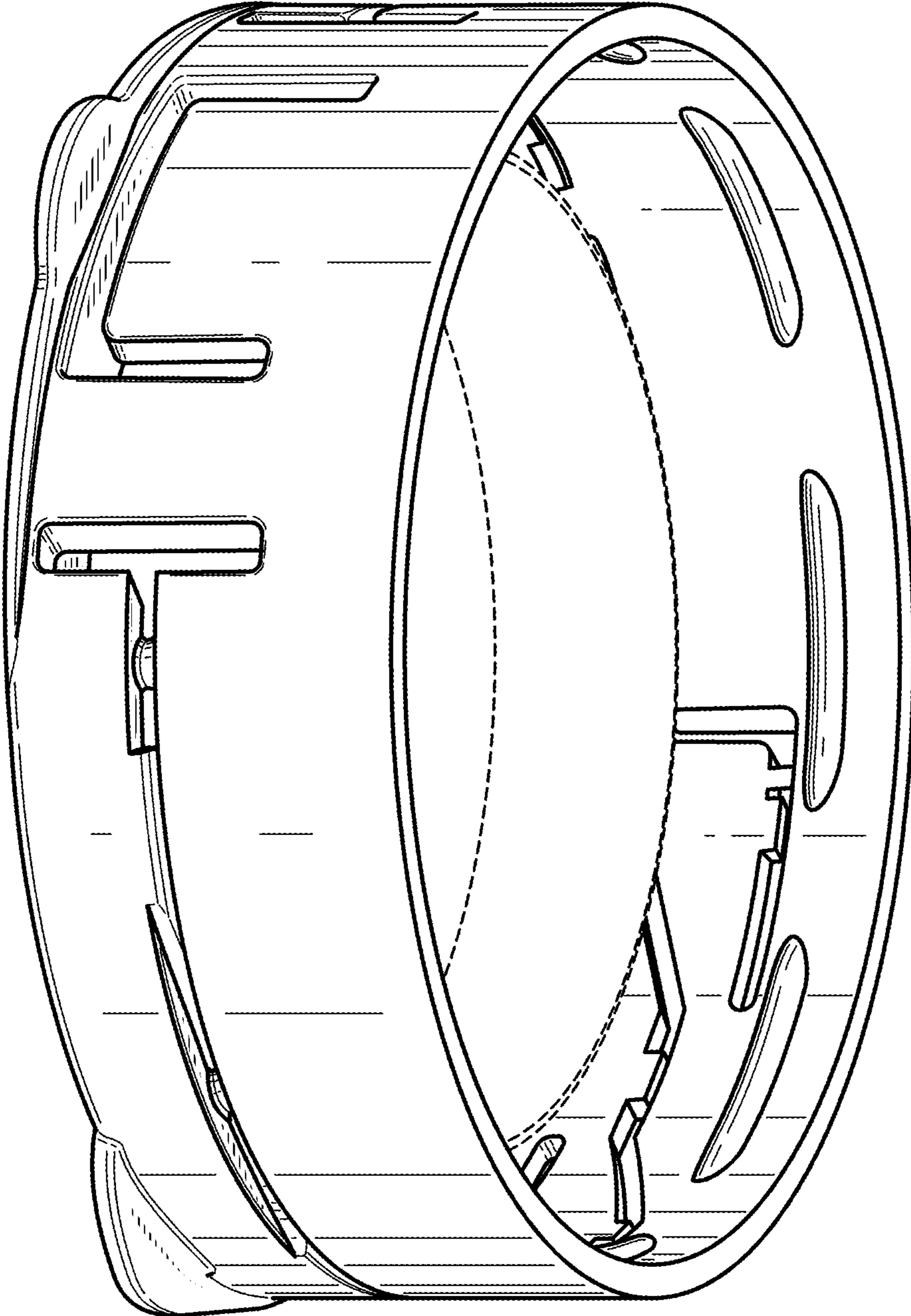


FIG. 1

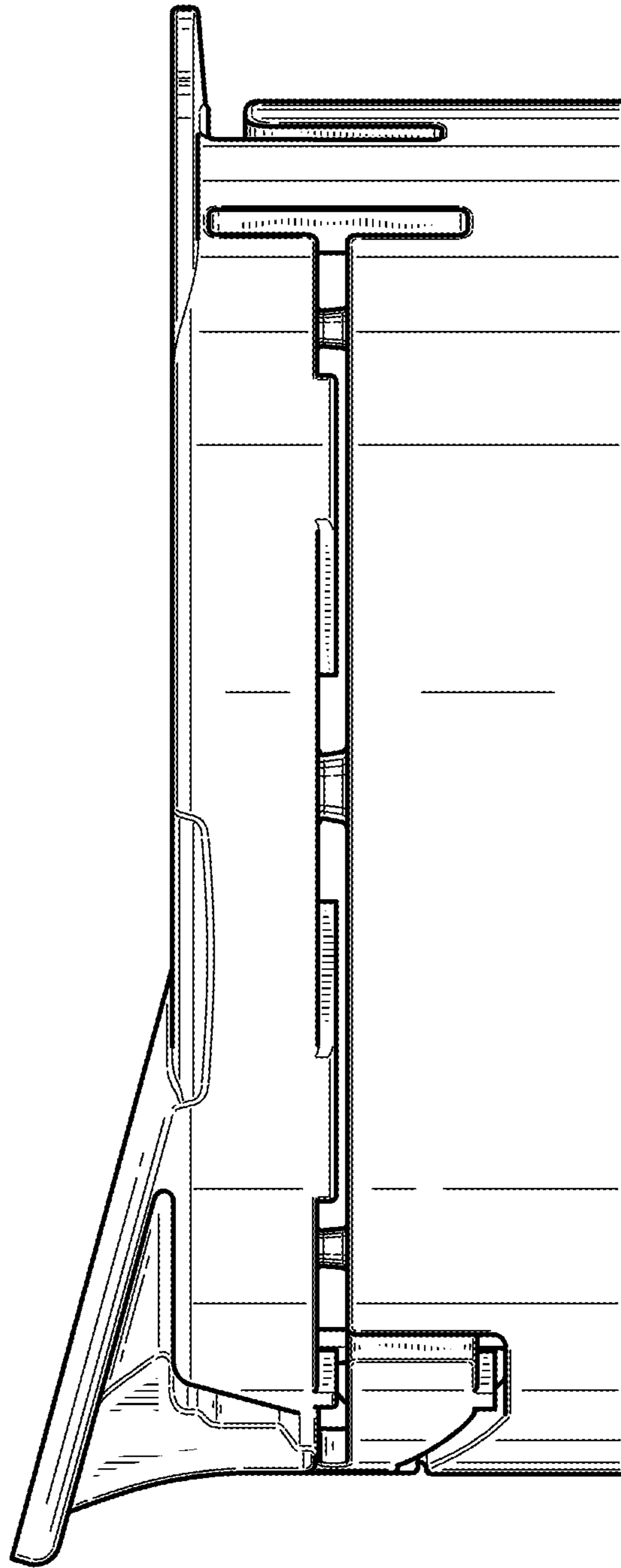


FIG. 2

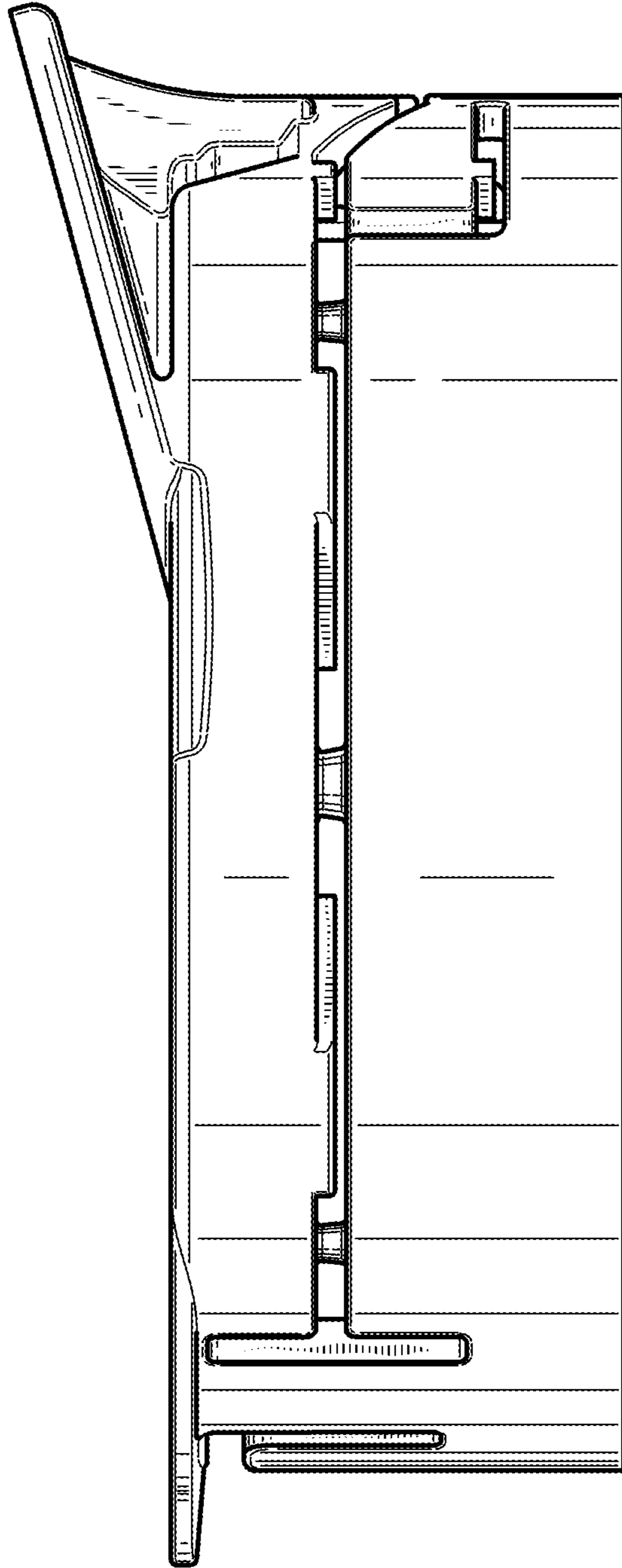


FIG. 3

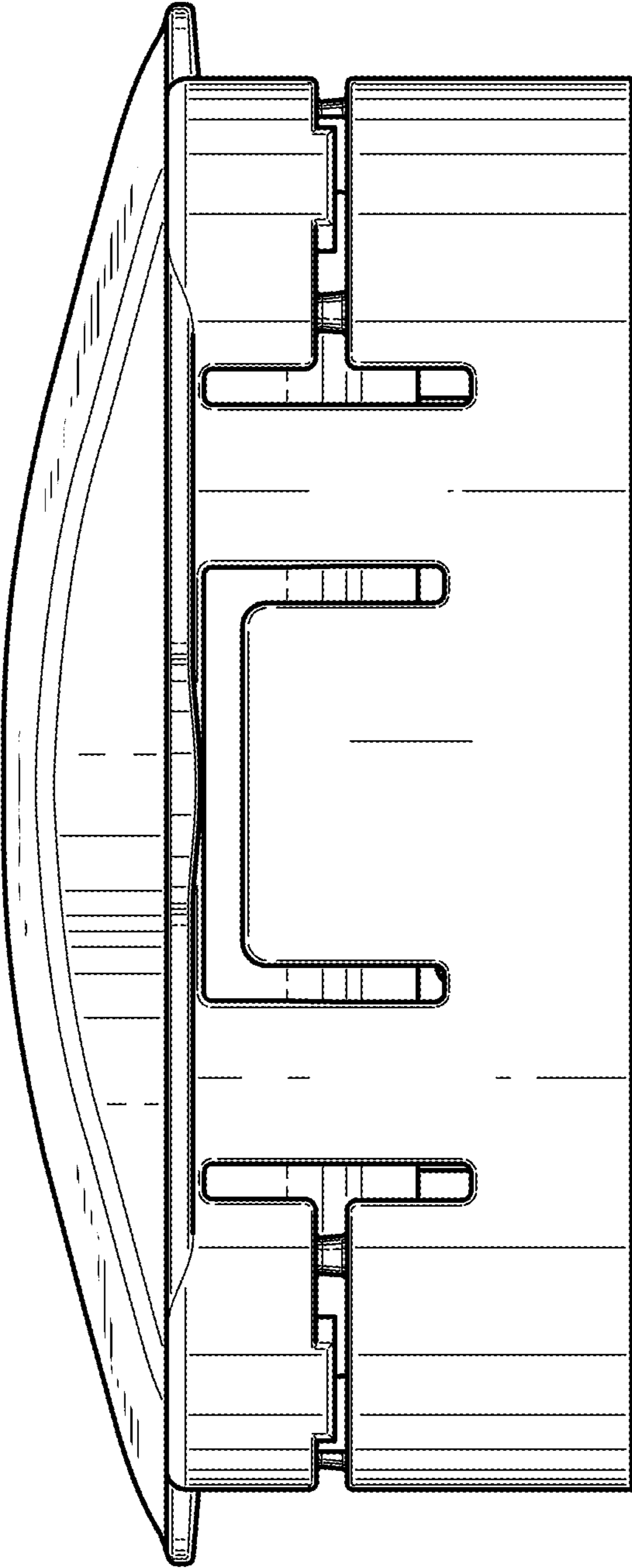


FIG. 4

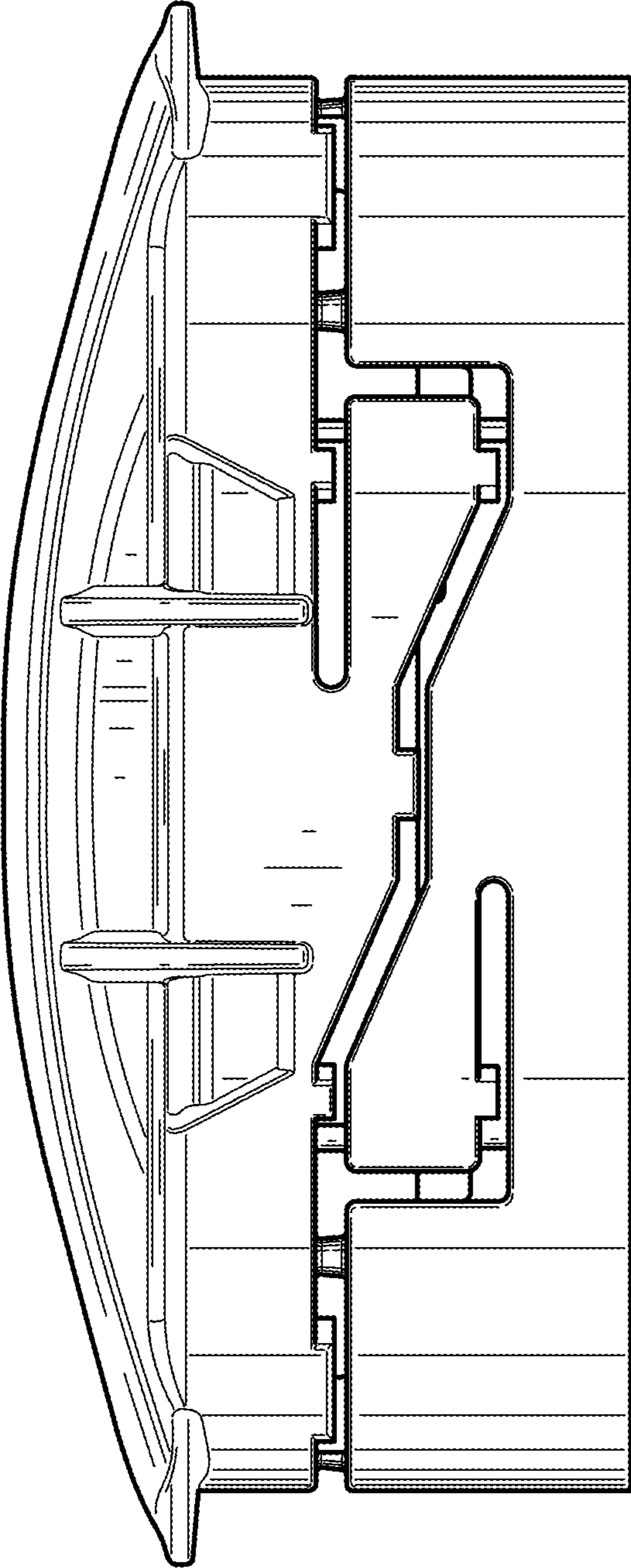


FIG. 5

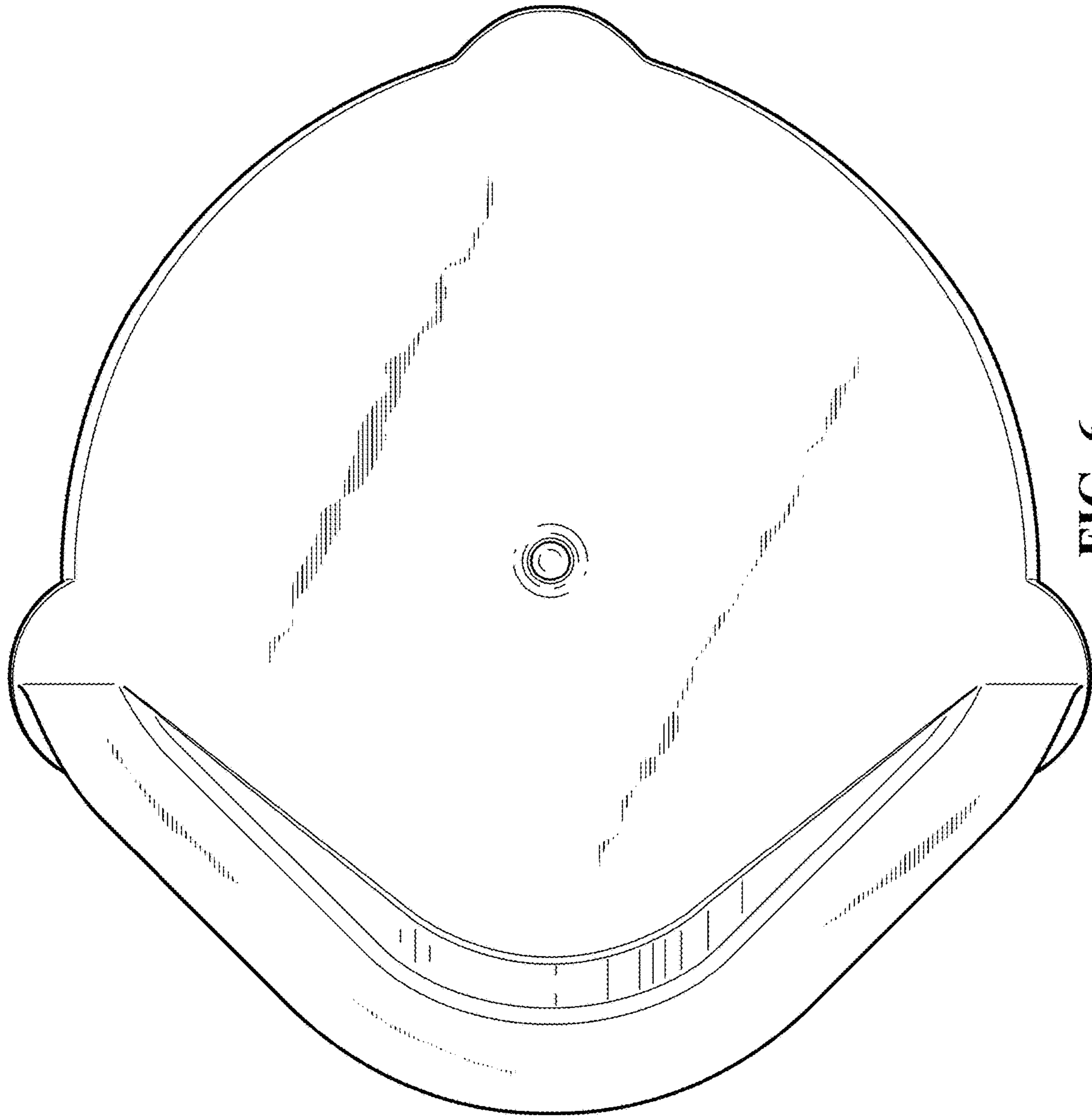


FIG. 6

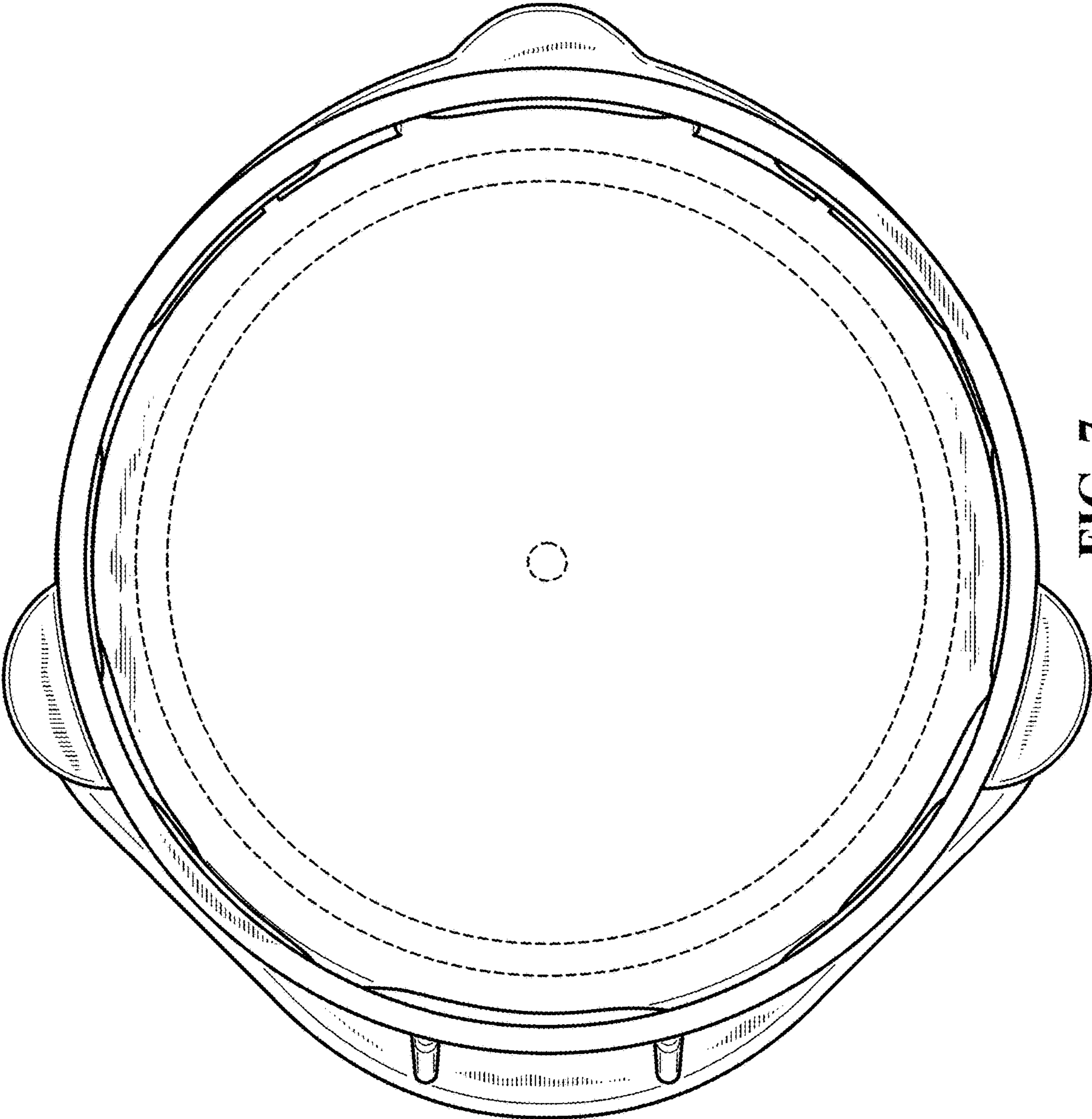


FIG. 7