



US00D917285S

(12) **United States Design Patent** (10) **Patent No.:** **US D917,285 S**
Ashurov (45) **Date of Patent:** **** Apr. 27, 2021**

(54) **CONTAINER CAP**

(71) Applicant: **ALLSTAR MARKETING GROUP, LLP**, Hawthorne, NY (US)

(72) Inventor: **Aviator Ashurov**, East Brunswick, NJ (US)

(73) Assignee: **ALLSTAR MARKETING GROUP, LLP**, Hawthorne, NY (US)

(**) Term: **15 Years**

(21) Appl. No.: **29/704,599**

(22) Filed: **Sep. 5, 2019**

(51) **LOC (13) Cl.** **09-07**

(52) **U.S. Cl.**
USPC **D9/436**

(58) **Field of Classification Search**
USPC D3/202; D7/300, 300.1, 387, 391, 392, D7/392.1, 393, 394, 396.1, 396.2, 401.1, D7/509, 510, 511, 533, 536, 543, 589, D7/591, 601, 602, 619.1; D9/434, 435, D9/436, 438, 439, 440, 441, 443, 445, D9/447, 448, 449, 454, 516, 520, 530, D9/531, 686, 730, 733; D23/206, 227, D23/249, 259, 260, 261, 313
CPC B65D 2251/1066; B65D 2251/1058; B65D 47/0819; B65D 1/00; B65D 1/02; B65D 1/0223; B65D 2203/00; B65D 2203/02; B65D 81/60; B65D 81/365; B65D 81/366; B65D 81/368; B65D 2539/008; B65D 39/0094; B65D 2543/00046; B65D 2543/00027; B65D 2543/00092; B65D 2543/00296; B65D 2543/00351; B65D 2543/00537; B65D 2543/00731; B65D 43/0212; B65D 43/0218; A01G 31/02; B02C 18/16; B02C 18/18; B02C 18/24; A47J 42/08; A47J 42/38; A47J 42/04; A47J 42/46; A47J 42/16; A47J 42/14; A47J 42/34; A47J 42/40; A47J 42/25; A47J 42/255

See application file for complete search history.

(56) **References Cited**

U.S. PATENT DOCUMENTS

D282,340 S *	1/1986	Lam	D7/387
D289,848 S *	5/1987	Cowan	D7/387
D554,993 S *	11/2007	Kerman	D9/438
D716,654 S *	11/2014	Dubitsky	D9/435
D735,035 S *	7/2015	Lane	D9/447
D794,453 S *	8/2017	Boroski	D9/449
D818,767 S *	5/2018	Nezu	D7/392.1
D822,429 S *	7/2018	Washburn	D7/396.2
D840,747 S *	2/2019	Joseph	D7/391

(Continued)

Primary Examiner — Catherine S Posthauer

(74) *Attorney, Agent, or Firm* — Andrew F Young, Esq;
Nolte Lackenbach Siegel

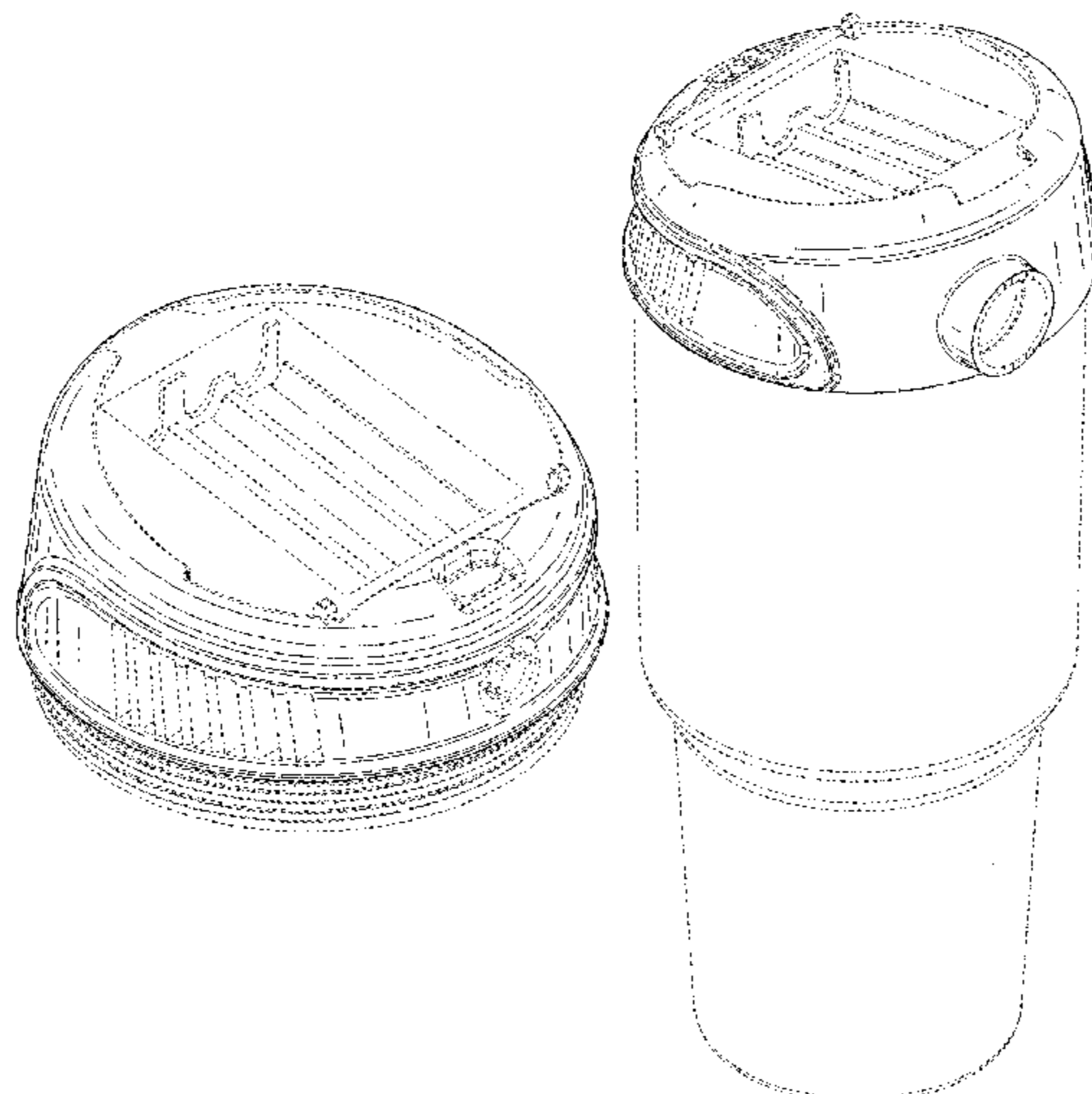
(57) **CLAIM**

The ornamental design for a container cap, as shown and described.

DESCRIPTION

FIG. 1 is a front top perspective view of a container cap showing my new design.
FIG. 2 is a rear top perspective view thereof.
FIG. 3 is a left side elevation view thereof.
FIG. 4 is a right side elevation view thereof.
FIG. 5 is a rear side elevation view thereof.
FIG. 6 is a front side elevation view thereof.
FIG. 7 is a top plan view thereof.
FIG. 8 is a bottom plan view thereof; and,
FIG. 9 is a front top perspective view thereof, shown in a position of use with an exemplary container.
The broken lines represent both parts of the article as well as environmental subject matter of an exemplary container cap. None of the broken lines form part of the claimed design.

1 Claim, 7 Drawing Sheets



(56)

References Cited

U.S. PATENT DOCUMENTS

D843,164	S	*	3/2019	Chen	D7/391
D843,165	S	*	3/2019	Chen	D7/391
D853,178	S	*	7/2019	Carrette	D7/391
D861,419	S	*	10/2019	Omdahl, II	D7/396.1
D866,323	S	*	11/2019	Miksovsky	D9/443
D871,835	S	*	1/2020	Byrd	D7/392.1
D881,638	S	*	4/2020	Meyers	D7/392.1
D885,183	S	*	5/2020	Schawo	D9/449
D887,267	S	*	6/2020	Meyers	D9/447
D889,194	S	*	7/2020	Han	D7/392.1
D890,564	S	*	7/2020	Hao	D7/392.1
D893,244	S	*	8/2020	Marina	D7/392.1
2005/0253102	A1	*	11/2005	Boilen	F16K 31/02 251/129.04

* cited by examiner

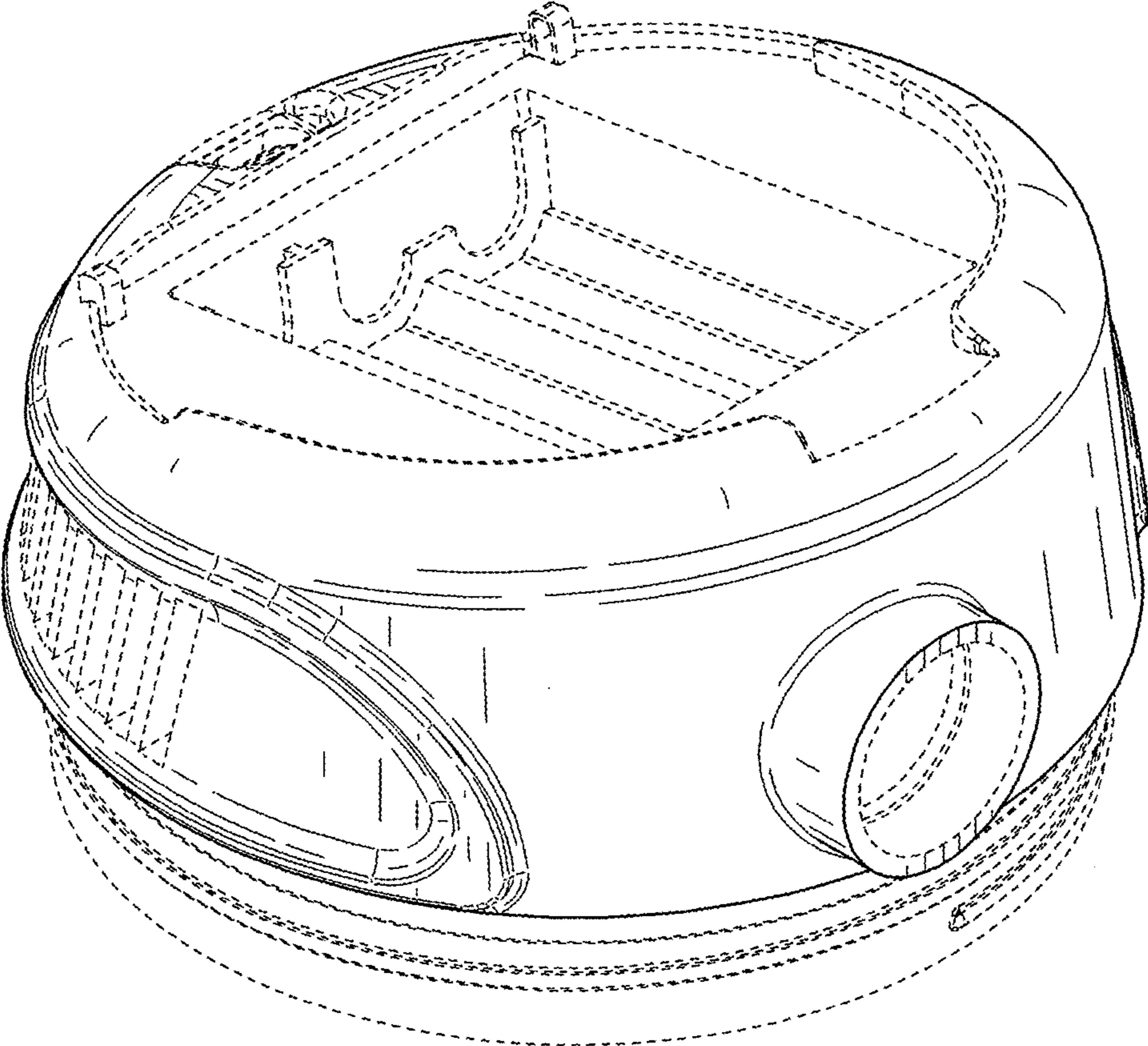


FIG. 1

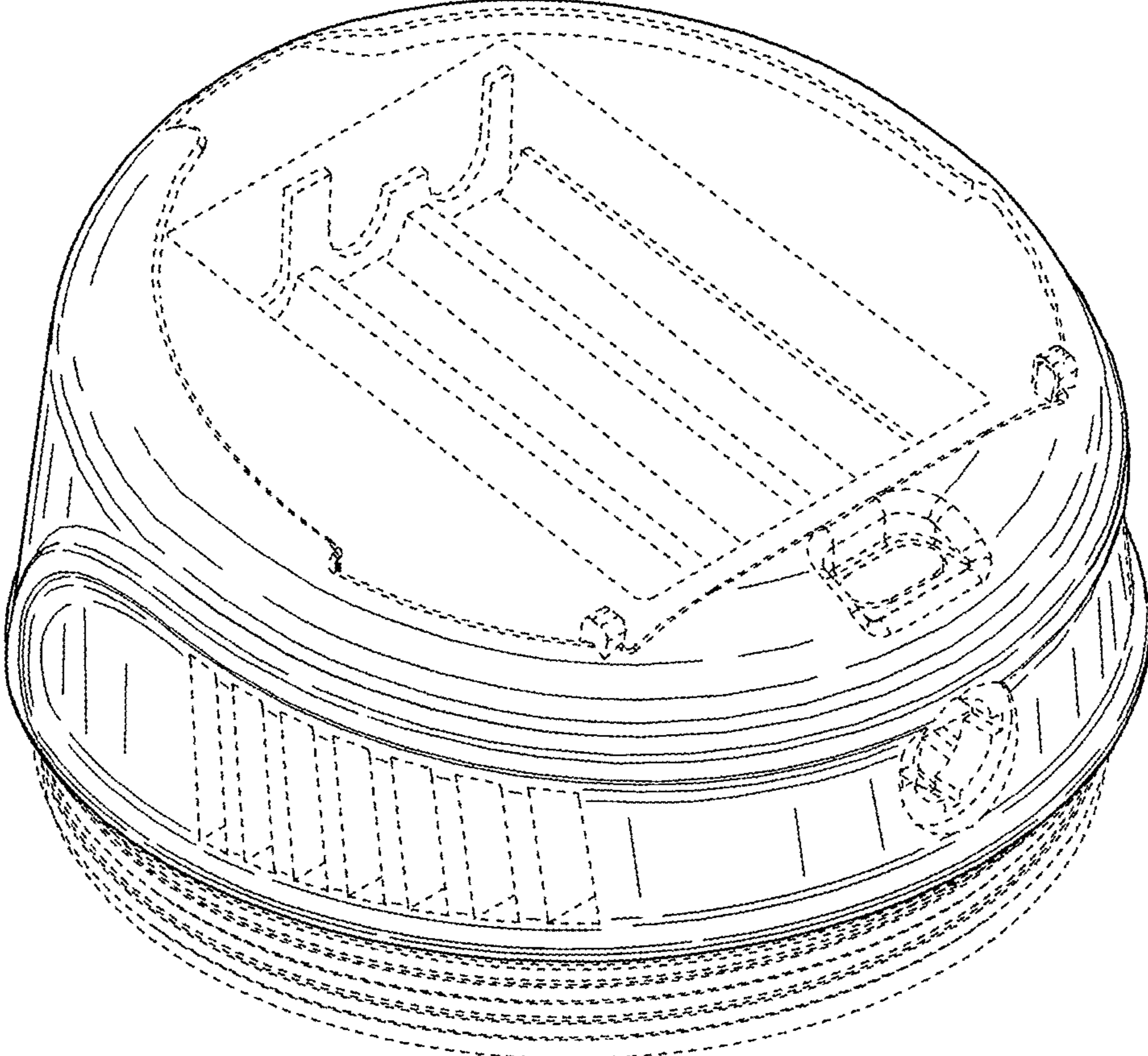


FIG. 2

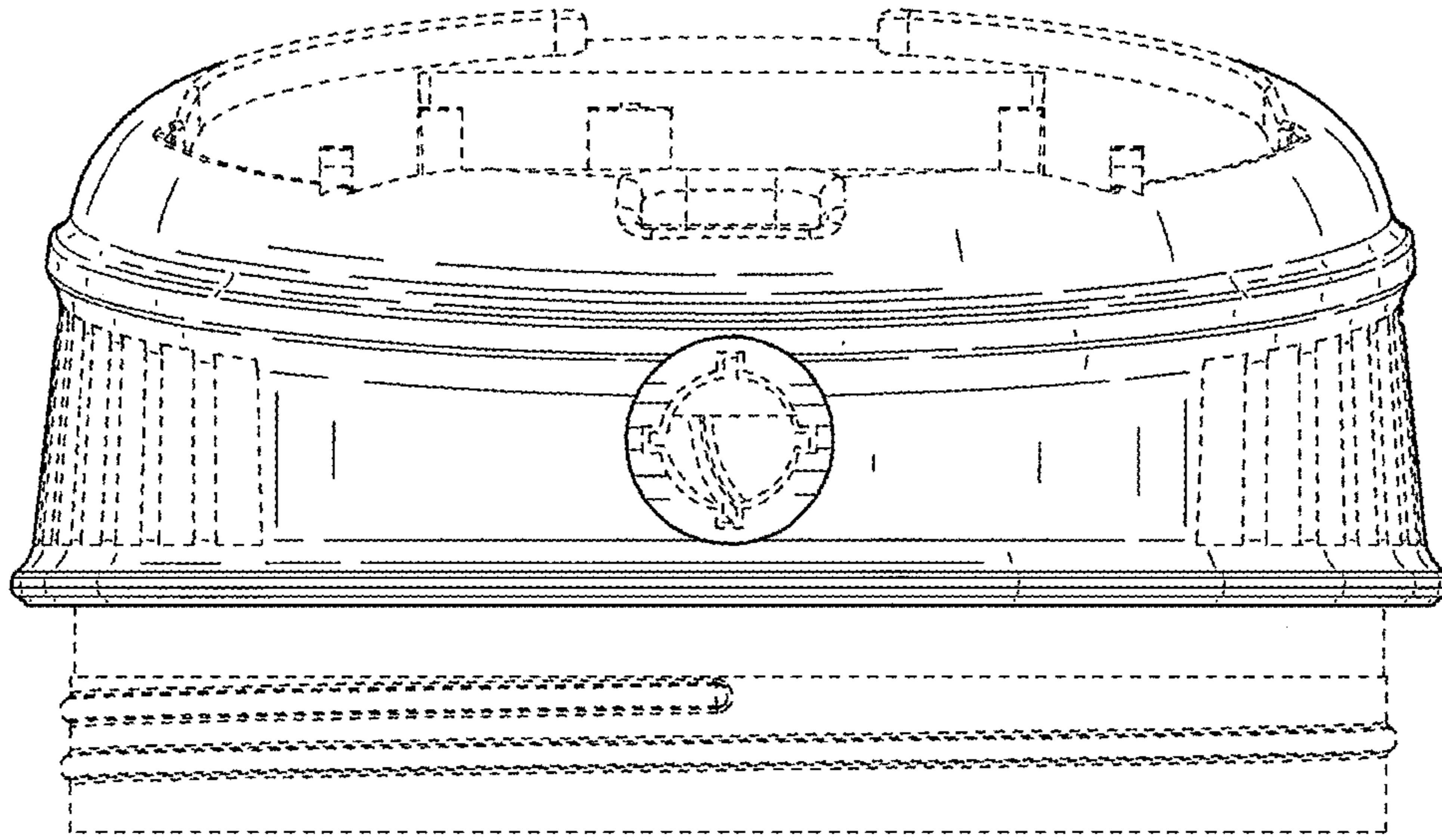


FIG. 3

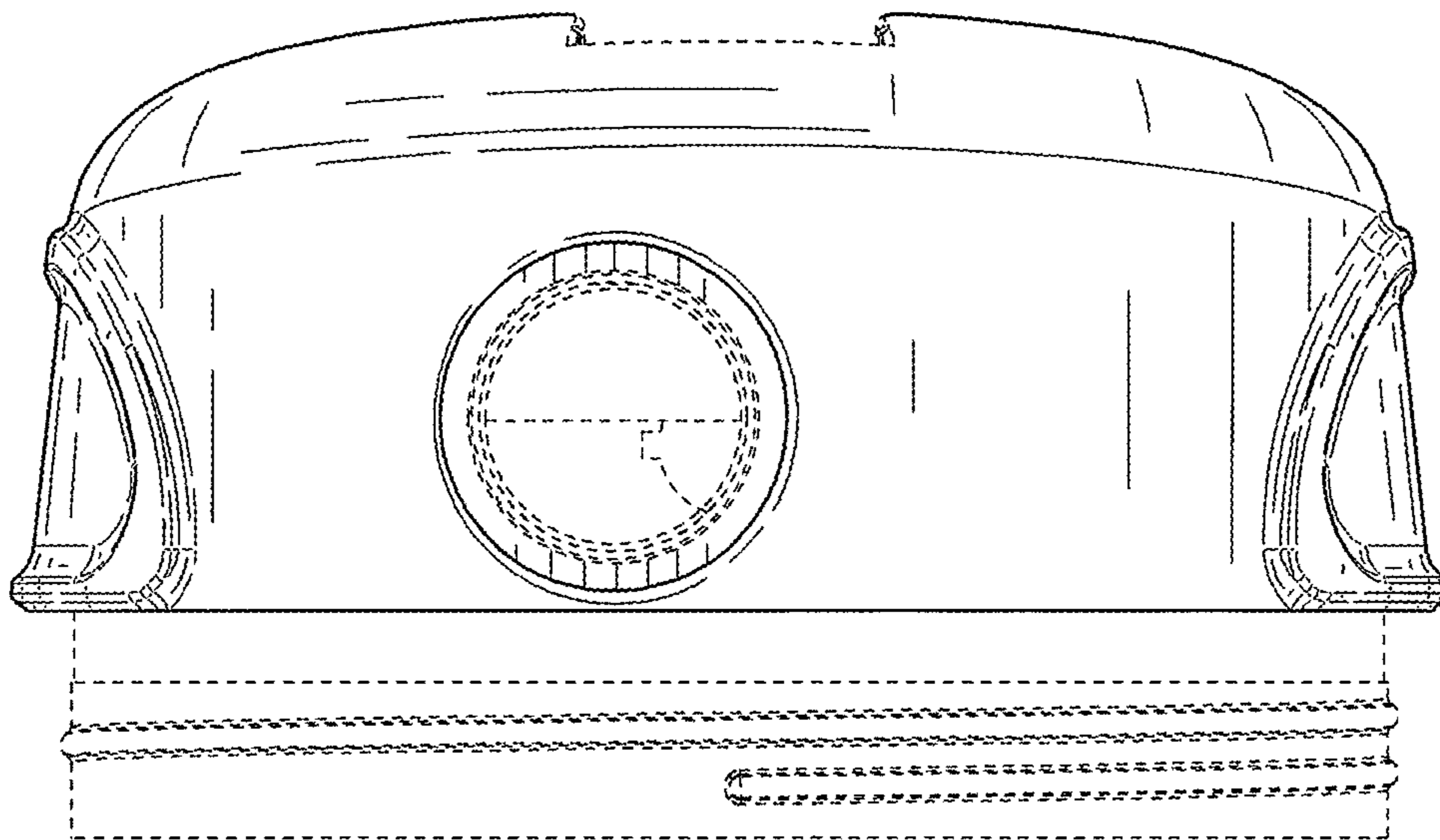


FIG. 4

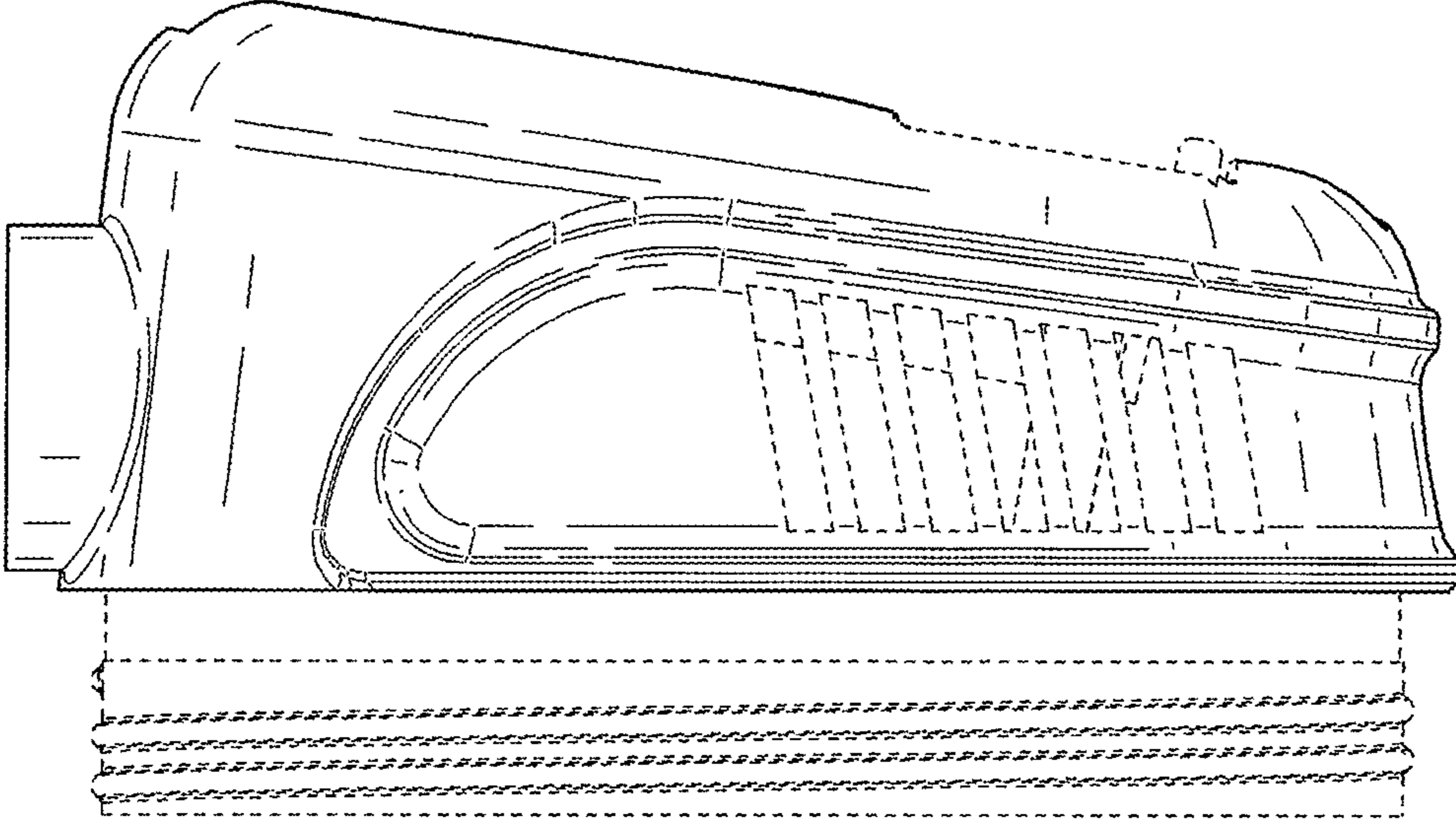


FIG. 5

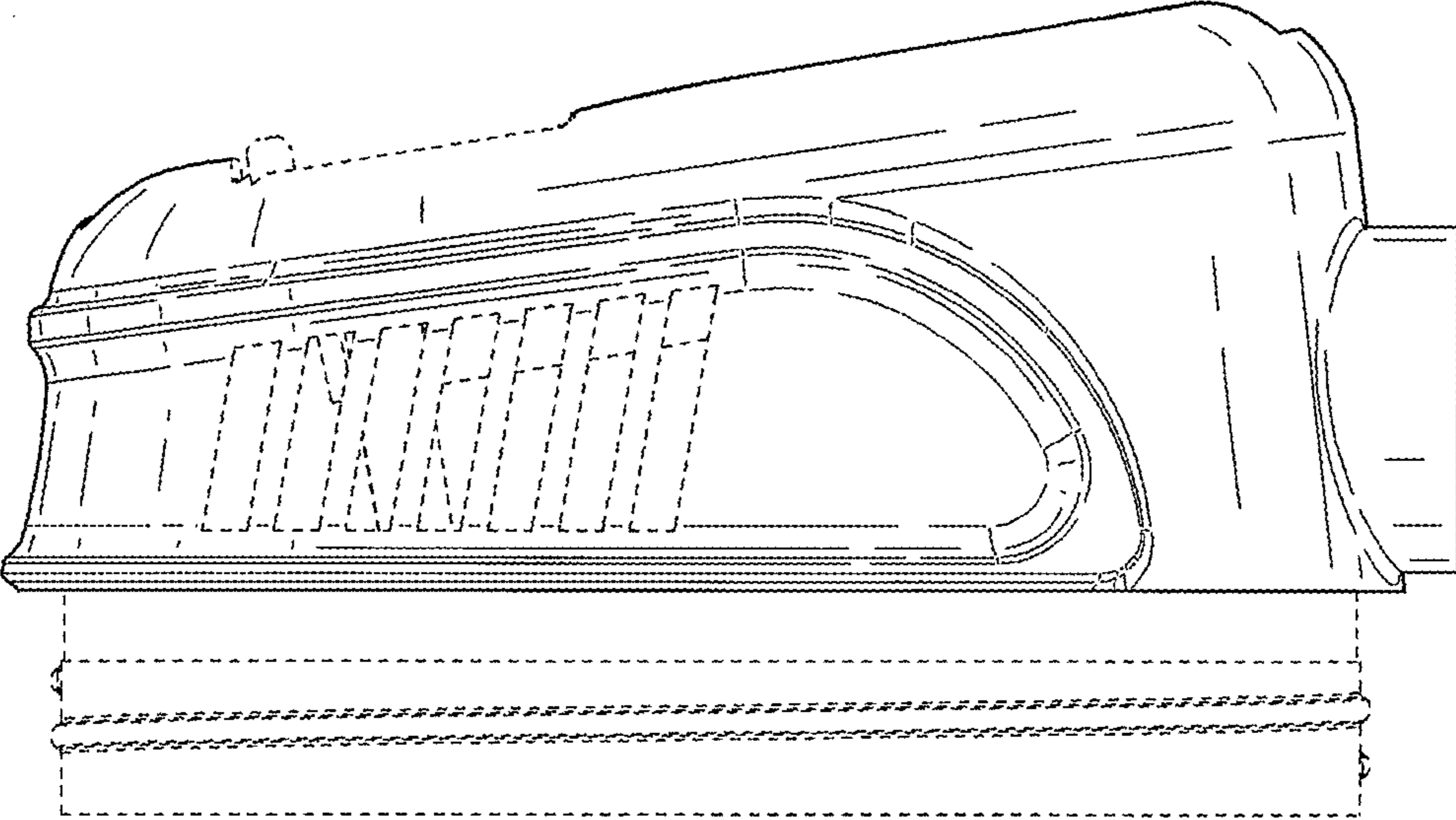


FIG. 6

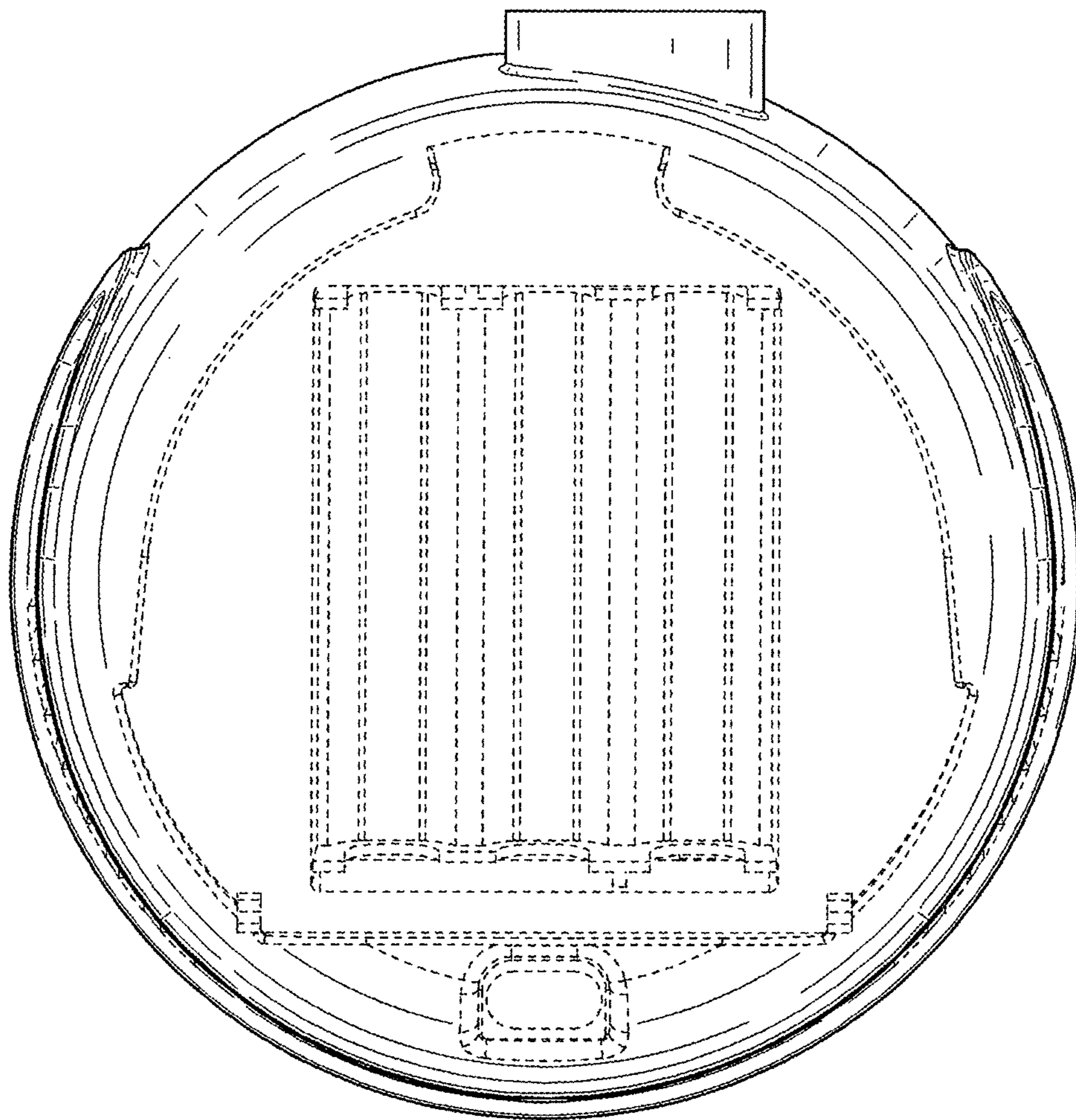


FIG. 7

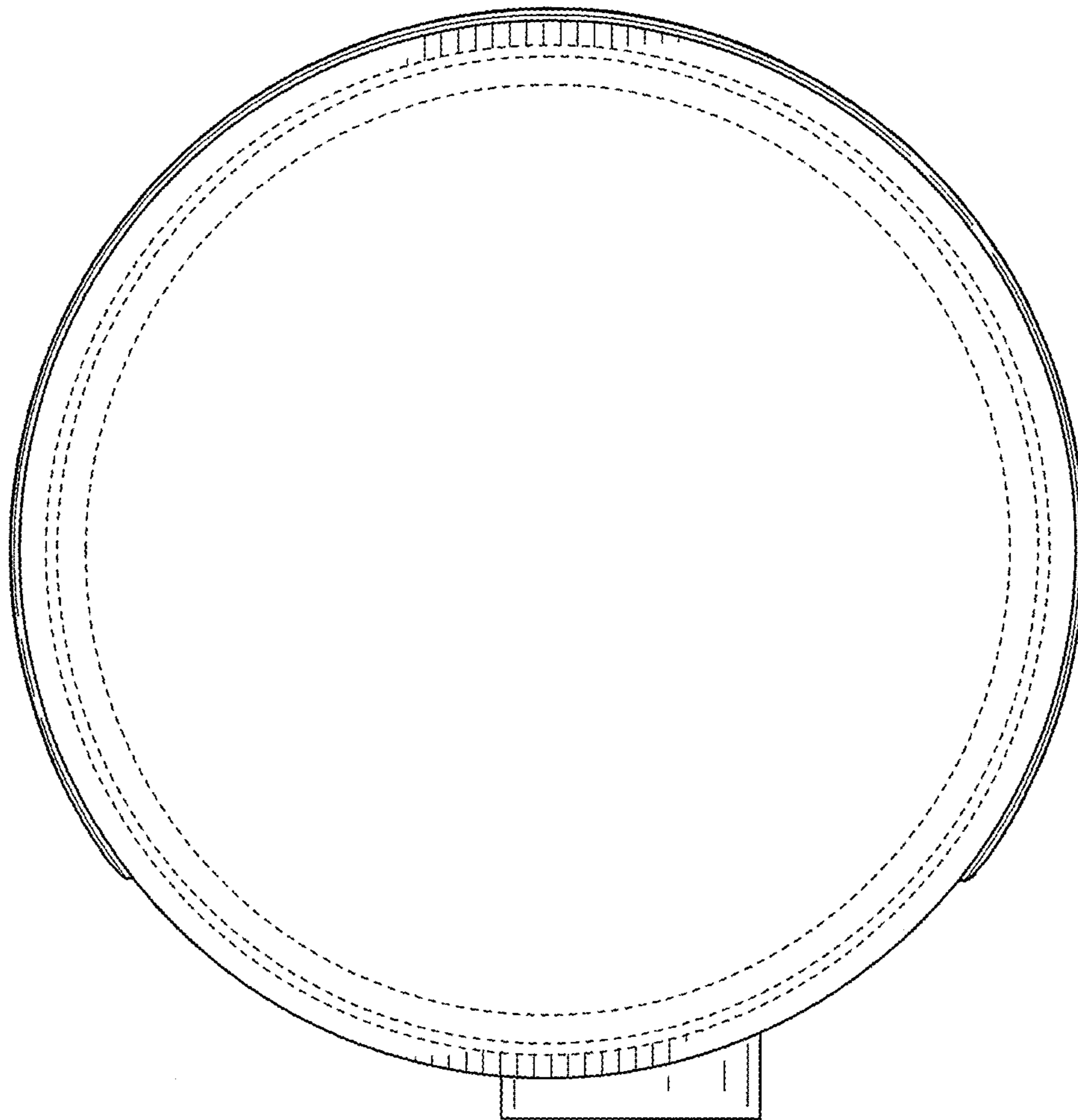


FIG. 8

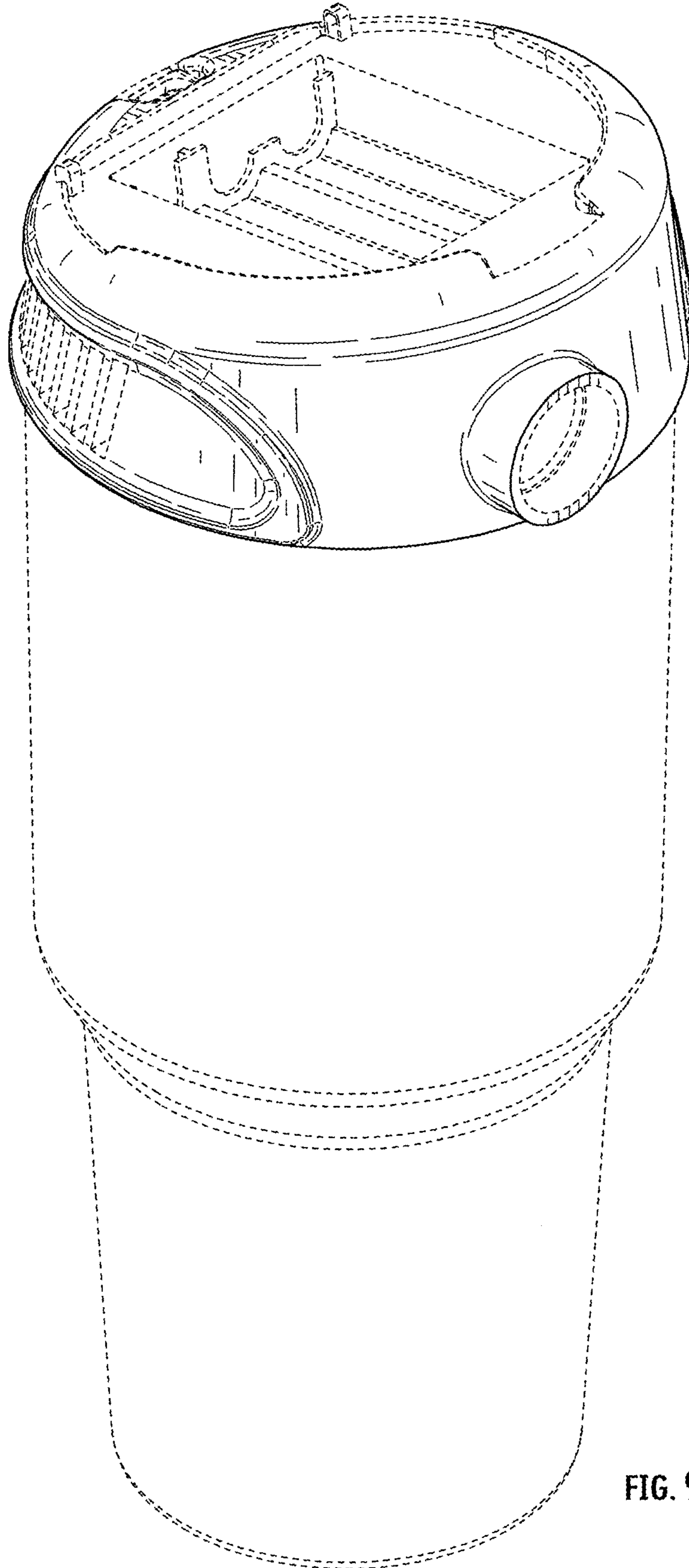


FIG. 9