

US00D917280S

(12) **United States Design Patent**
Straub et al.

(10) **Patent No.:** **US D917,280 S**

(45) **Date of Patent:** **** Apr. 27, 2021**

(54) **PACKAGE WITH SURFACE
ORNAMENTATION**

(71) Applicant: **DRIV IP, LLC**, Lake Forest, IL (US)

(72) Inventors: **Janson H. Straub**, Chicago, IL (US);
Robert L. Liebscher, Port Washington,
WI (US)

(73) Assignee: **DRIV IP, LLC**, Lake Forest, IL (US)

(**) Term: **15 Years**

(21) Appl. No.: **29/679,002**

(22) Filed: **Jan. 31, 2019**

(51) **LOC (13) Cl.** **09-07**

(52) **U.S. Cl.**
USPC **D9/434**

(58) **Field of Classification Search**
USPC D9/414–423, 430–433, 434, 456, 457,
D9/600, 652, 667, 711, 713, 721–722,
D9/737, 756, 758, 759, 760; D14/480,
D14/489, 490; D20/10, 22, 27, 40, 42
CPC ... B65D 5/00; B65D 5/02; B65D 5/18; B65D
5/20
See application file for complete search history.

(56) **References Cited**

U.S. PATENT DOCUMENTS

D554,499 S	*	11/2007	Bone	D9/434
D610,914 S	*	3/2010	Taylor	D9/600
D612,234 S	*	3/2010	Westemeyer	D9/434
D612,260 S	*	3/2010	Champion	D9/600
D612,261 S	*	3/2010	Champion	D9/600
D613,156 S	*	4/2010	Francis	D9/434
D614,650 S	*	4/2010	Arnell	D14/489
D618,093 S	*	6/2010	Arnell	D9/434
D649,045 S	*	11/2011	Kopulos	D9/434
D655,157 S	*	3/2012	Hablutzel	D9/434
D656,016 S	*	3/2012	Hablutzel	D9/434
D656,837 S	*	4/2012	Lanz	D9/600

D741,367 S	*	10/2015	Bae	D14/490
D769,729 S	*	10/2016	Kelly	D9/652
D777,781 S	*	1/2017	Holt	D14/490
D783,396 S	*	4/2017	Riffe	D9/434
D804,526 S	*	12/2017	Chen	D14/489
D824,776 S	*	8/2018	Zinovieff	D9/600
D862,223 S	*	10/2019	Camper	D9/434

(Continued)

OTHER PUBLICATIONS

Our History DRiV Incorporated. [online] Retrieved May 11, 2020
from URL: <https://www.driv.com/our-company/our-history.html>.*

Primary Examiner — Vy N Koenig

(74) *Attorney, Agent, or Firm* — Finnegan, Henderson,
Farabow, Garrett & Dunner, LLP

(57) **CLAIM**

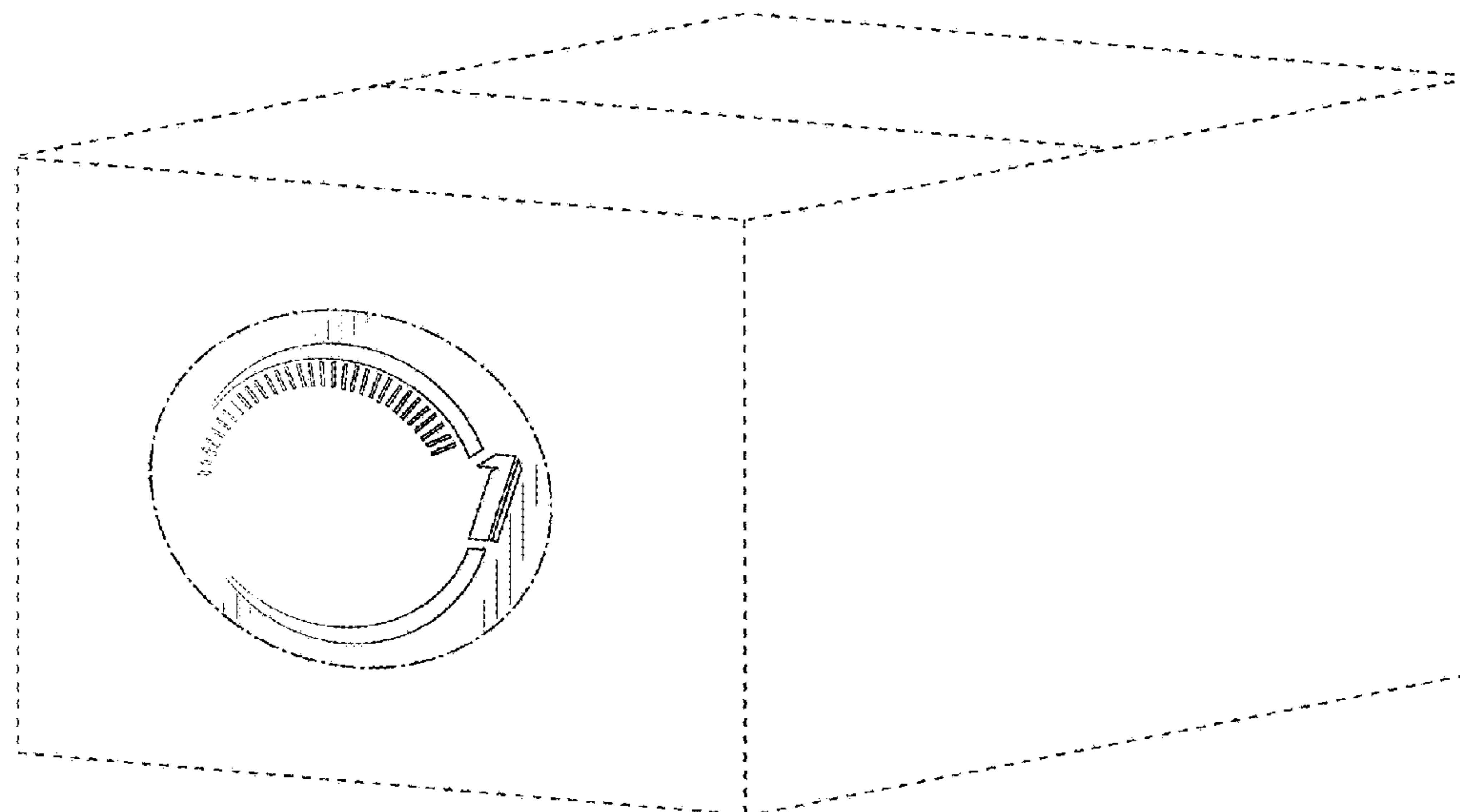
The ornamental design for a package with surface ornamentation, as shown and described.

DESCRIPTION

FIG. 1 is a front, right perspective view of a package with surface ornamentation showing our new design;
FIG. 2 is a front elevation view thereof;
FIG. 3 is a rear view thereof;
FIG. 4 is a right side view thereof;
FIG. 5 is a left side view thereof;
FIG. 6 is a top plan view thereof; and,
FIG. 7 is a bottom plan view thereof.

The broken dash-dash lines of even length illustrate portions of the package with surface ornamentation that form no part of the claimed design. The broken dash-dot lines of uneven length in the drawings define the boundaries of the claim and the broken dash-dot lines themselves form no part of the claimed design. The broken dash-dot lines of uneven length in the drawings define the boundaries of the claim and the broken dash-dot lines themselves form no part of the claimed design.

1 Claim, 7 Drawing Sheets



(56)

References Cited

U.S. PATENT DOCUMENTS

D862,240 S	*	10/2019	Sims	D9/600
D875,541 S	*	2/2020	Lowery	D9/600
D876,218 S	*	2/2020	Thompson	D9/432
D880,293 S	*	4/2020	Redding	D9/432
D883,088 S	*	5/2020	Riffe	D9/434

* cited by examiner

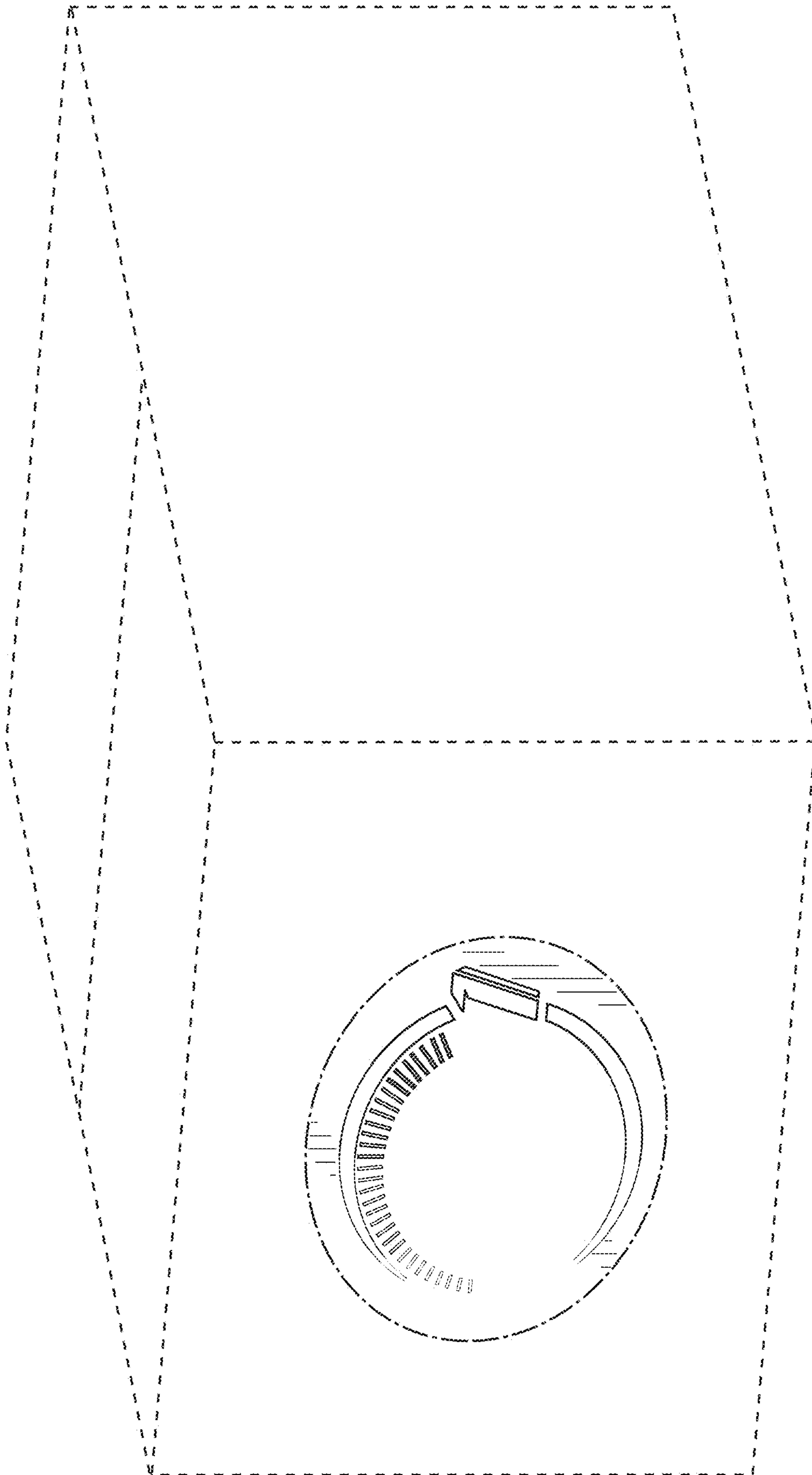


FIG. 1

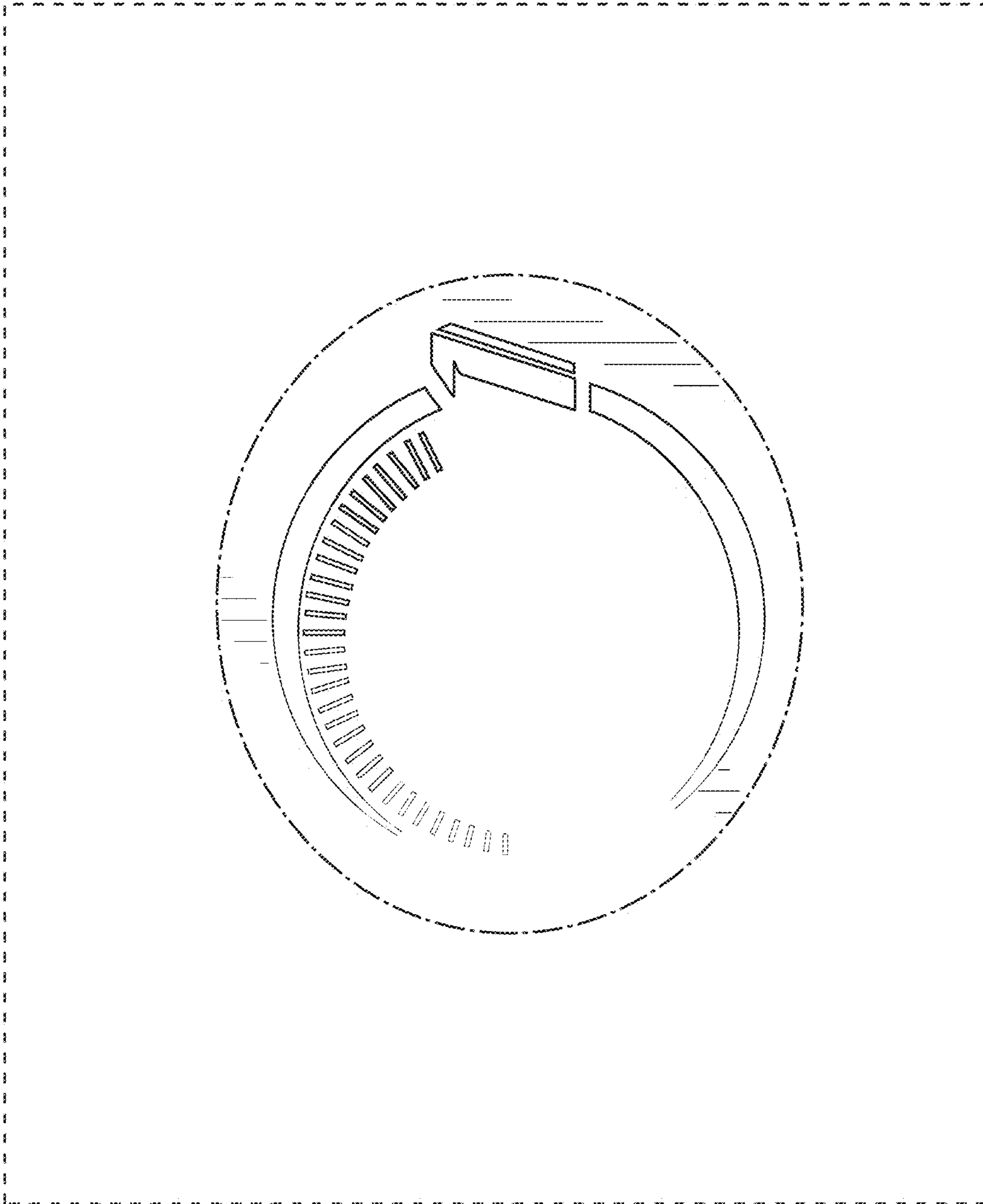


FIG. 2



FIG. 3



FIG. 4

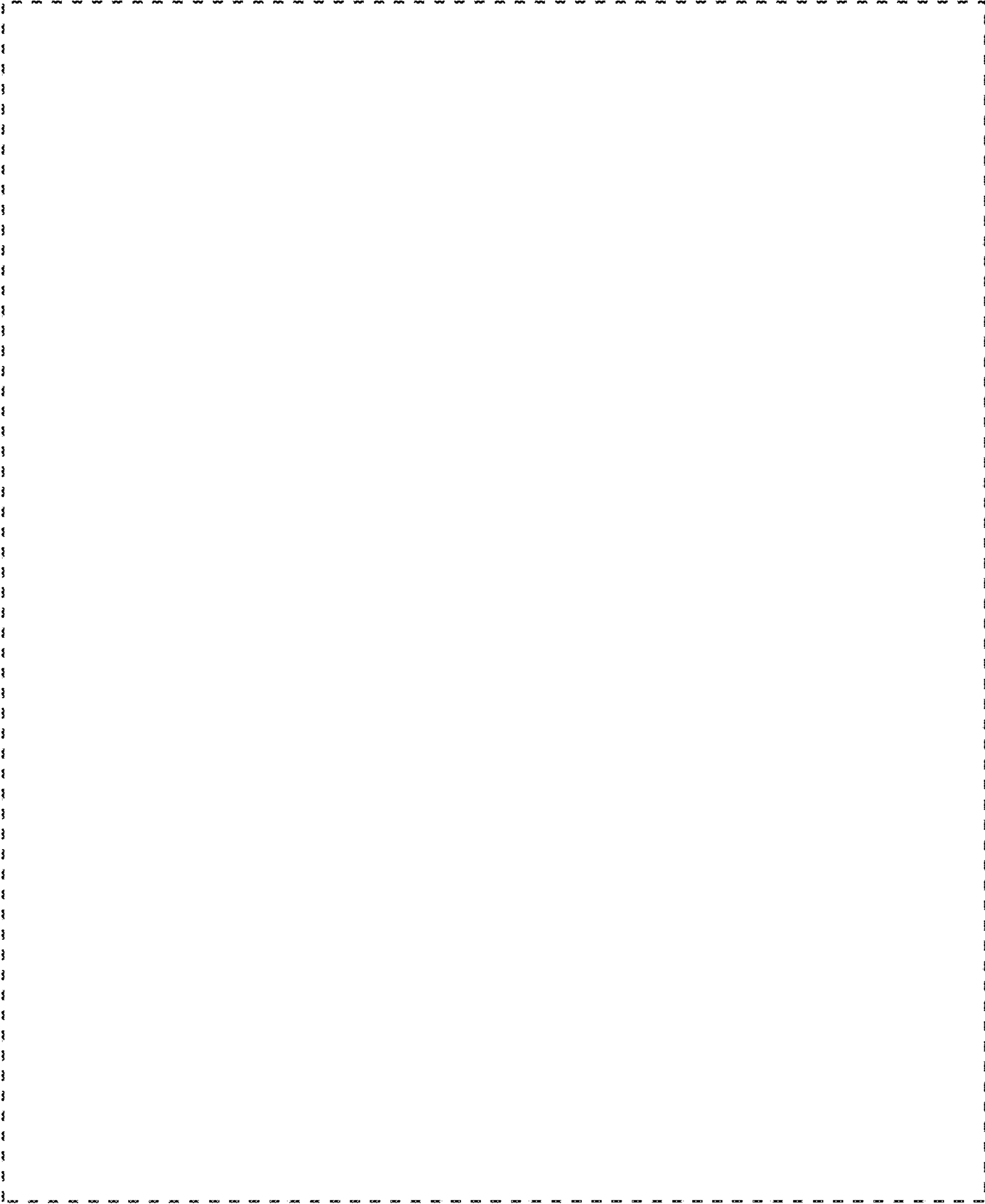


FIG. 5

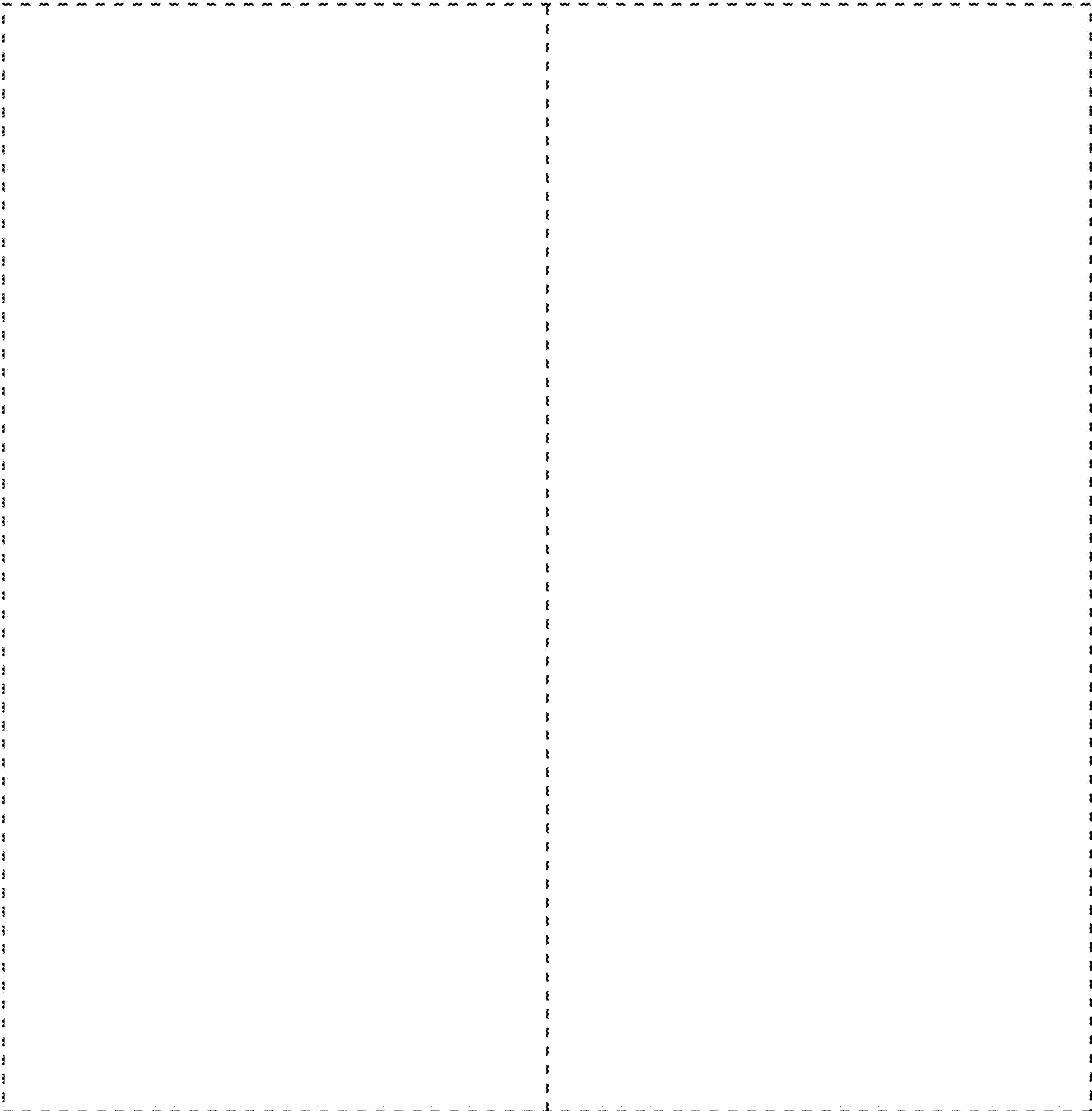


FIG. 6

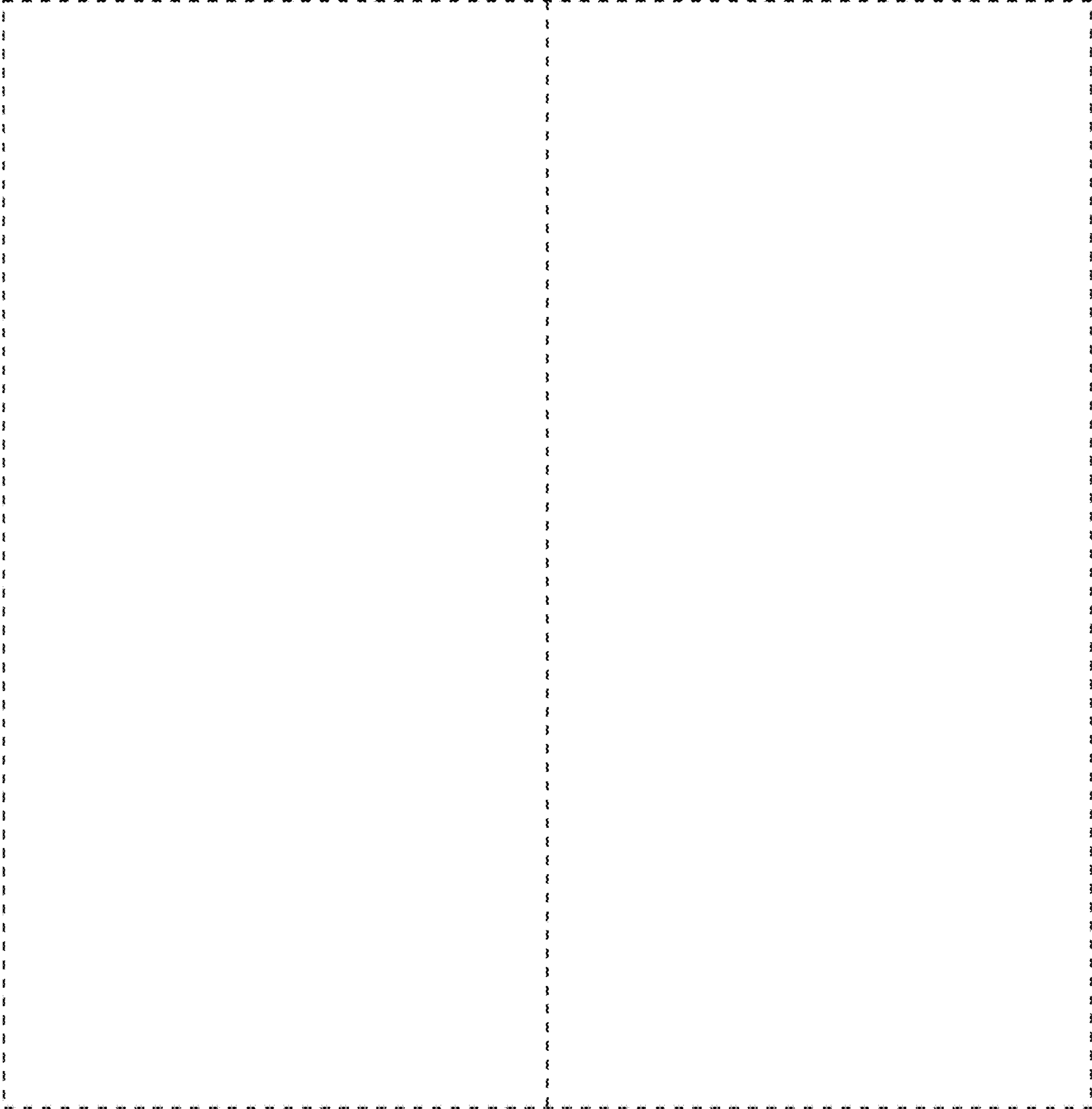


FIG. 7