



US00D917278S

(12) **United States Design Patent** (10) **Patent No.:** **US D917,278 S**
Ishayik et al. (45) **Date of Patent:** **** Apr. 27, 2021**

(54) **CUP**
(71) Applicant: **Intelligent Blends, LP**, San Diego, CA (US)
(72) Inventors: **Michael Ishayik**, La Jolla, CA (US); **Shay Zohar**, Rancho Cucamonga, CA (US)
(73) Assignee: **Intelligent Blends, LP**, San Diego, CA (US)

(**) Term: **15 Years**

(21) Appl. No.: **29/730,764**

(22) Filed: **Apr. 8, 2020**

(51) **LOC (13) Cl.** **09-03**

(52) **U.S. Cl.**
USPC **D9/429**

(58) **Field of Classification Search**
USPC D7/400, 601, 608; D9/416, 417, 420, D9/425-429, 430, 432, 761
CPC A47J 19/005; A47J 31/06; A47J 31/0689; B65D 1/00; B65D 1/26; B65D 1/34; B65D 1/40; B65D 85/804; B65D 85/8043; B65D 2581/3409

See application file for complete search history.

(56) **References Cited**

U.S. PATENT DOCUMENTS

D515,970 S * 2/2006 Hensen D11/153
D681,448 S * 5/2013 O'Malley D9/429

D689,768 S * 9/2013 Inderbitzin D9/429
D697,797 S 1/2014 Hansen
D708,057 S * 7/2014 Hansen D9/429
D724,426 S * 3/2015 Hu D9/416
D749,371 S * 2/2016 Kolano D7/629
D752,972 S 4/2016 Goldstein et al.
D808,797 S * 1/2018 Rippin D9/429
2012/0012647 A1 1/2012 Almabekov
2015/0083791 A1 3/2015 Gonzalez et al.
2017/0057737 A1 3/2017 Goldstein et al.

* cited by examiner

Primary Examiner — Janice Patyk

(74) *Attorney, Agent, or Firm* — Pearne & Gordon LLP

(57) **CLAIM**

The ornamental design for a cup, as shown and described.

DESCRIPTION

FIG. 1 is a top perspective view of a cup, showing our new design;

FIG. 2 is a bottom perspective view thereof;

FIG. 3 is a left side view thereof, the right side view being the same;

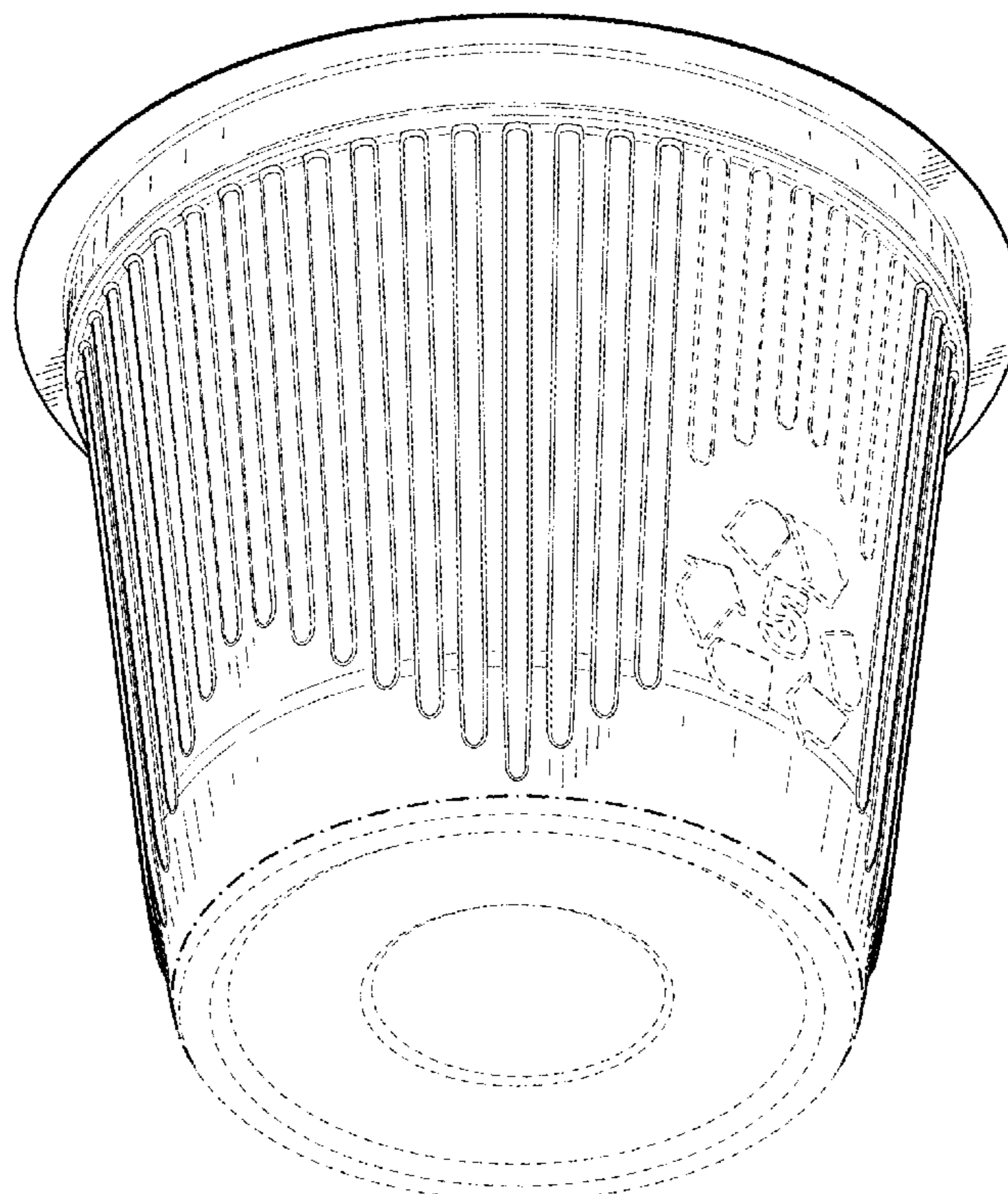
FIG. 4 is a front view thereof, the rear view being the same;

FIG. 5 is a bottom view thereof; and,

FIG. 6 is a top view thereof.

The broken lines in the figures illustrate the portions of the design that form no part of the claimed design. The dot-dash broken lines immediately adjacent to the claimed areas in the views represent the boundaries of the design and form no part thereof. None of the broken lines form any part of the claimed design.

1 Claim, 3 Drawing Sheets



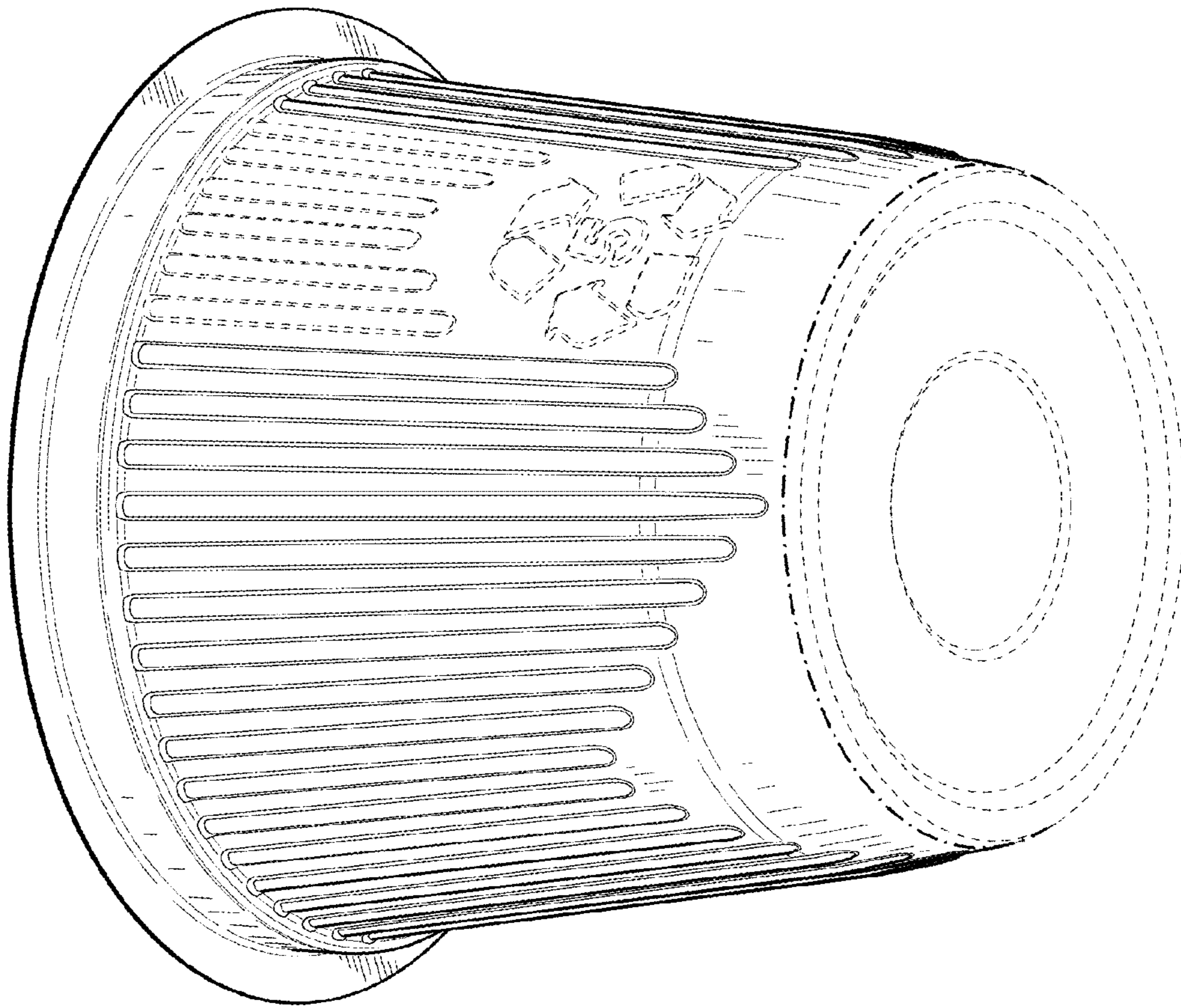


Fig. 2

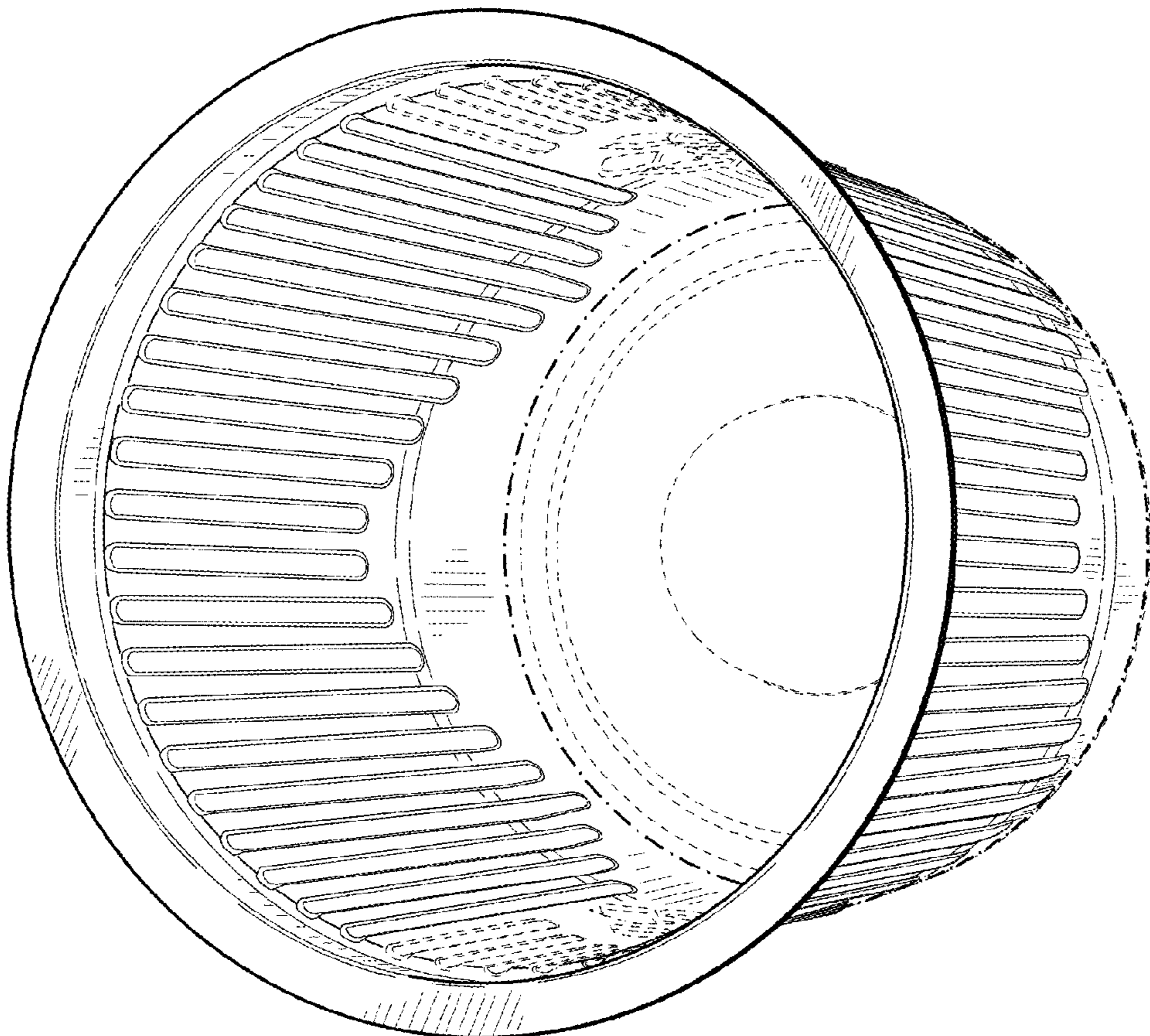


Fig. 1

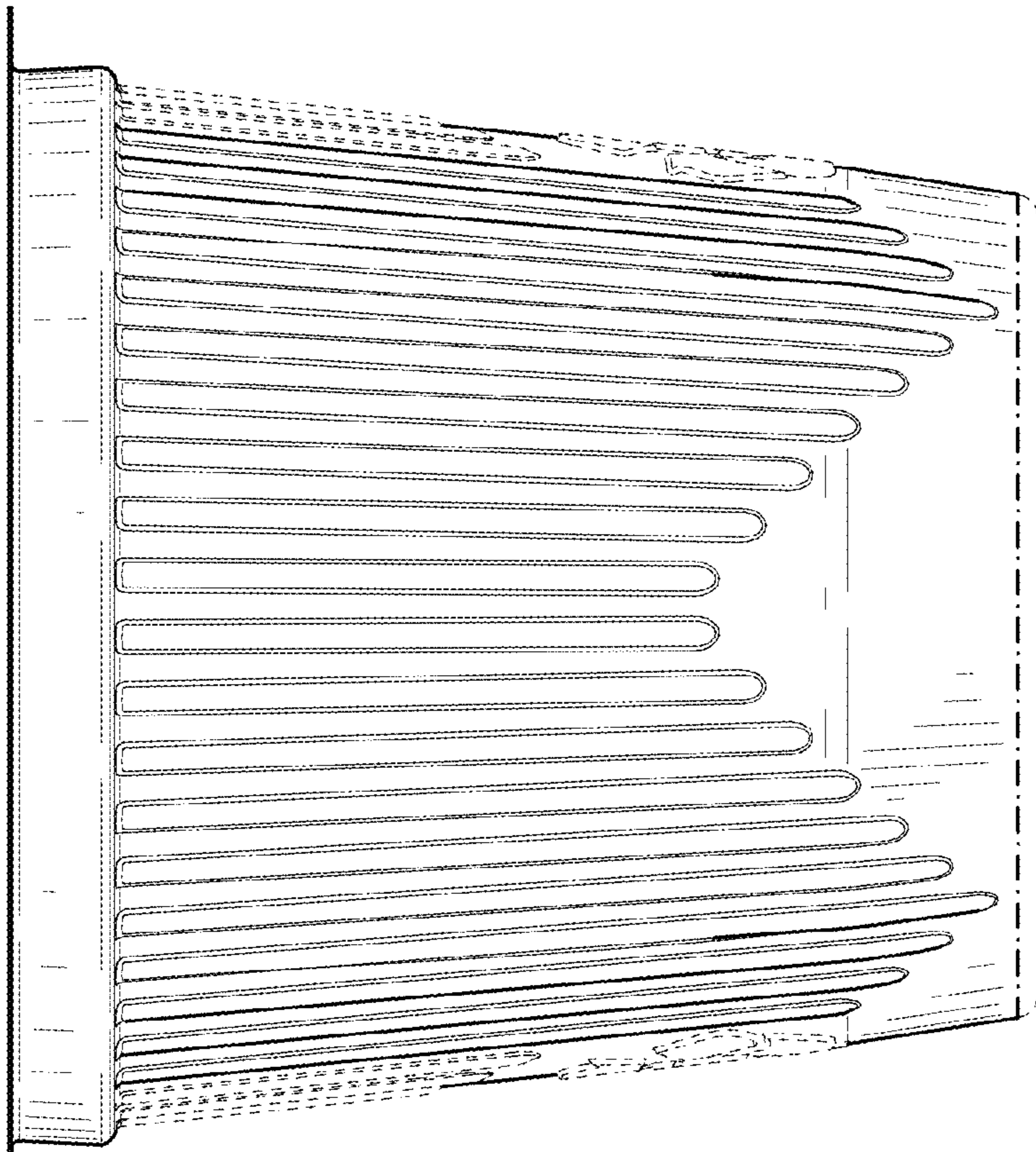


Fig. 3

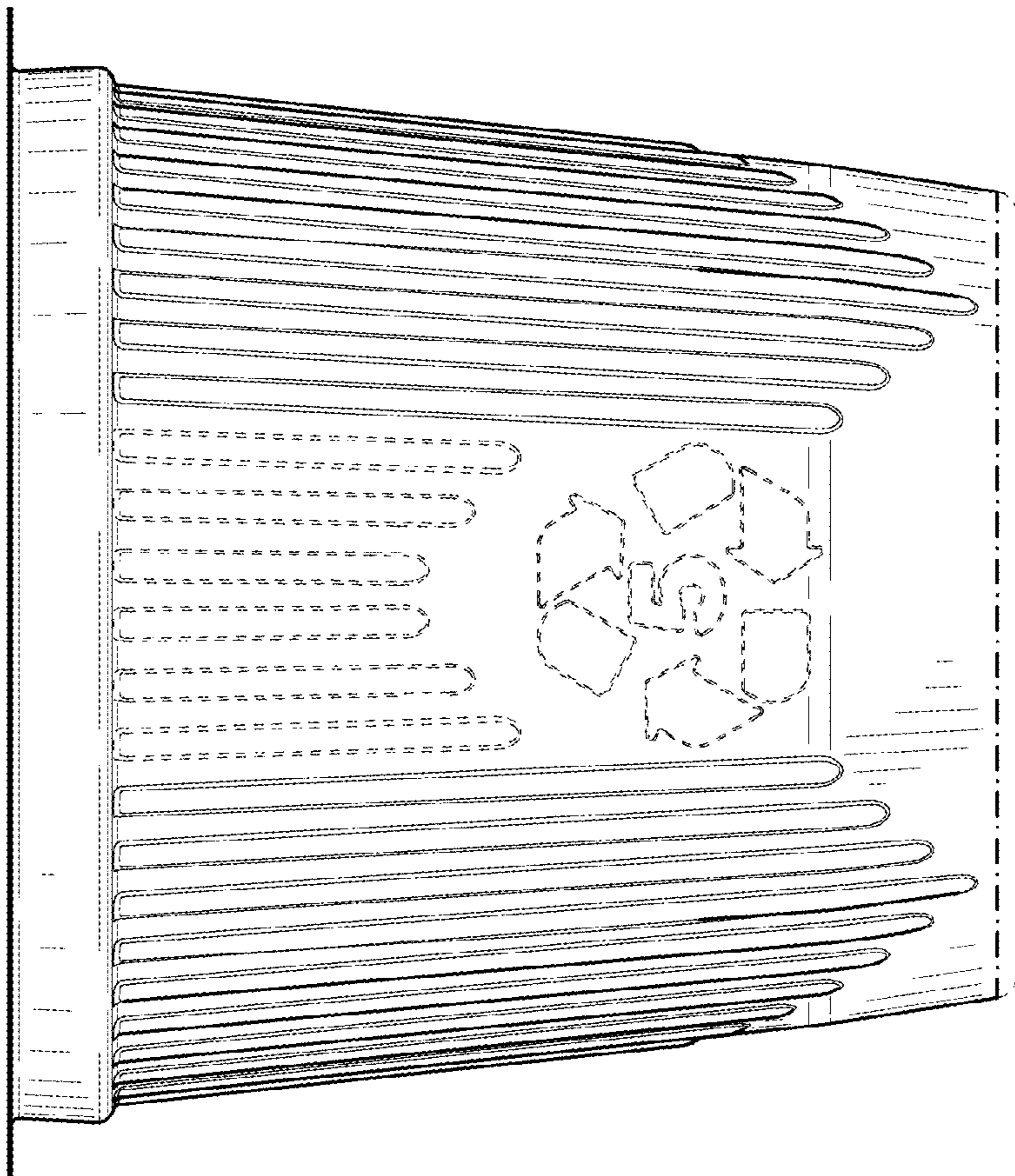


Fig. 4

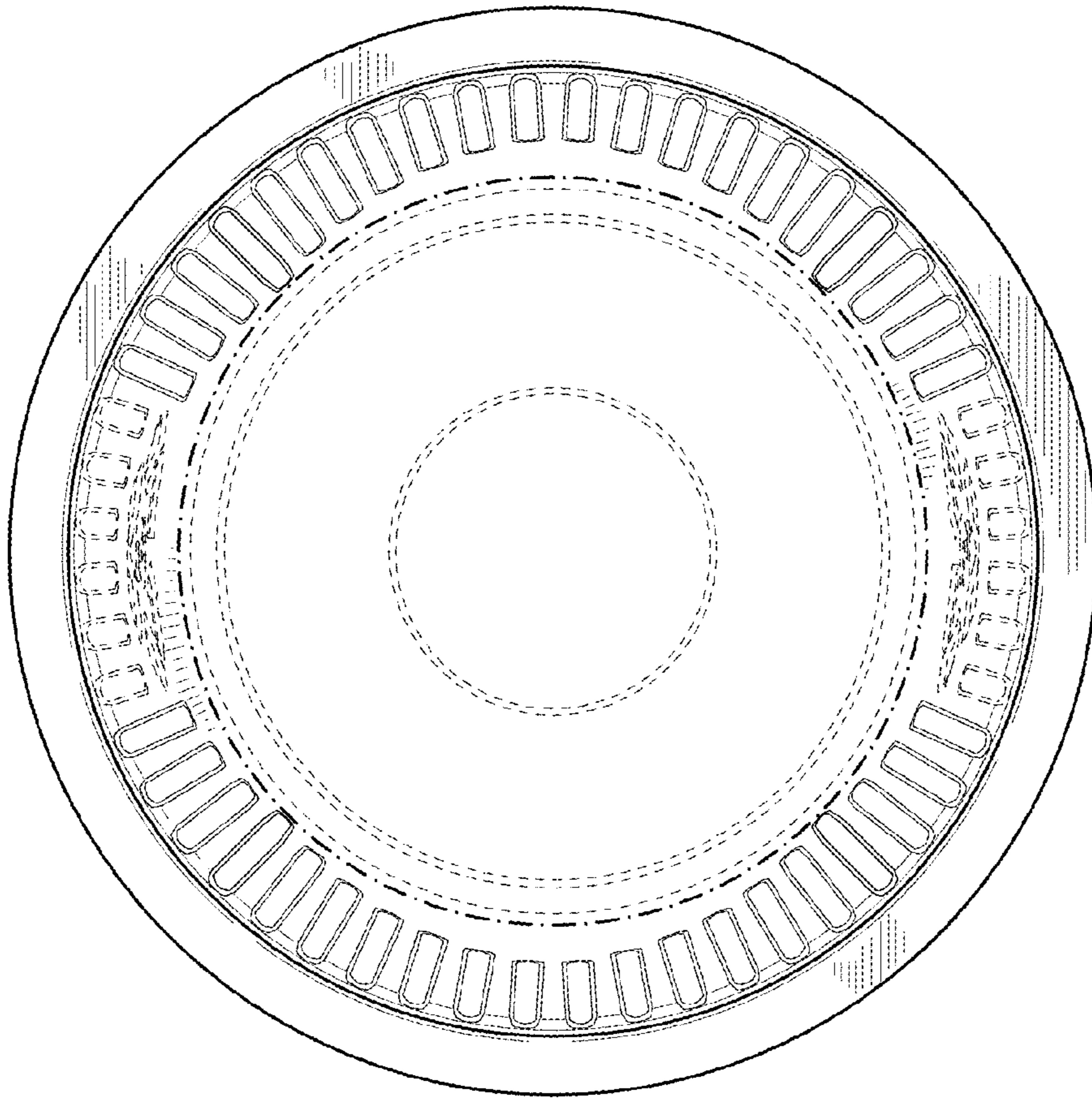


Fig. 6

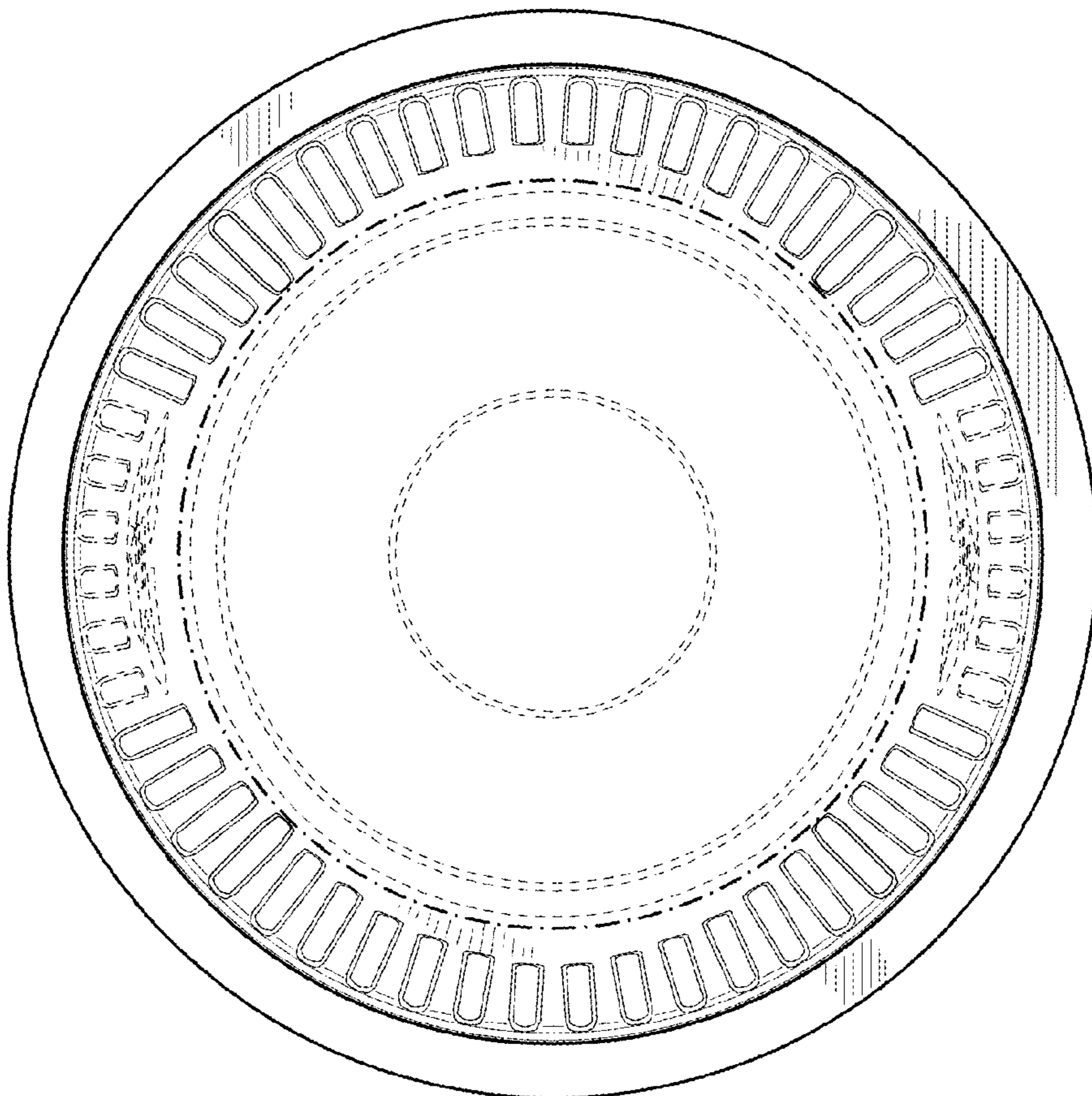


Fig. 5