



US00D917277S

(12) **United States Design Patent**  
**Robinson**

(10) **Patent No.:** **US D917,277 S**

(45) **Date of Patent:** **\*\* Apr. 27, 2021**

- (54) **CLOSURE FOR A CONTAINER**
- (71) Applicant: **INTERNATIONAL PAPER COMPANY**, Memphis, TN (US)
- (72) Inventor: **Kevin Edward Robinson**, Wallingford, PA (US)
- (73) Assignee: **INTERNATIONAL PAPER COMPANY**, Memphis, TN (US)

3,174,675 A \* 3/1965 Rosenberg, Jr. .... B65D 5/3614  
229/108.1  
3,261,533 A \* 7/1966 Repking ..... B65D 5/2033  
229/109  
3,423,008 A \* 1/1969 Mykleby ..... B65D 5/2033  
229/110

(Continued)

*Primary Examiner* — Rhea Shields

(74) *Attorney, Agent, or Firm* — Bradley Ligibel; Thomas W. Ryan

(\*\*) Term: **15 Years**

(57) **CLAIM**

(21) Appl. No.: **29/680,796**

The ornamental design for a closure for a container, as shown and described.

(22) Filed: **Feb. 20, 2019**

(51) **LOC (13) Cl.** ..... **09-03**

(52) **U.S. Cl.**  
USPC ..... **D9/423; D9/435**

(58) **Field of Classification Search**  
USPC ..... D9/423, 414, 430, 705, 434, 433;  
D30/121; D3/203.5; D7/554.1; D24/131  
CPC ..... A45C 11/02; B65D 5/74; B65D 5/106;  
B65D 5/68; B65D 5/2033; B65D 5/12;  
B65D 5/029; B65D 5/723; B65D 5/566;  
B65D 5/14; B65D 77/061; B65D 5/18;  
B65D 5/06; B65D 5/3614; B65B  
67/1025; A47F 5/02  
See application file for complete search history.

**DESCRIPTION**

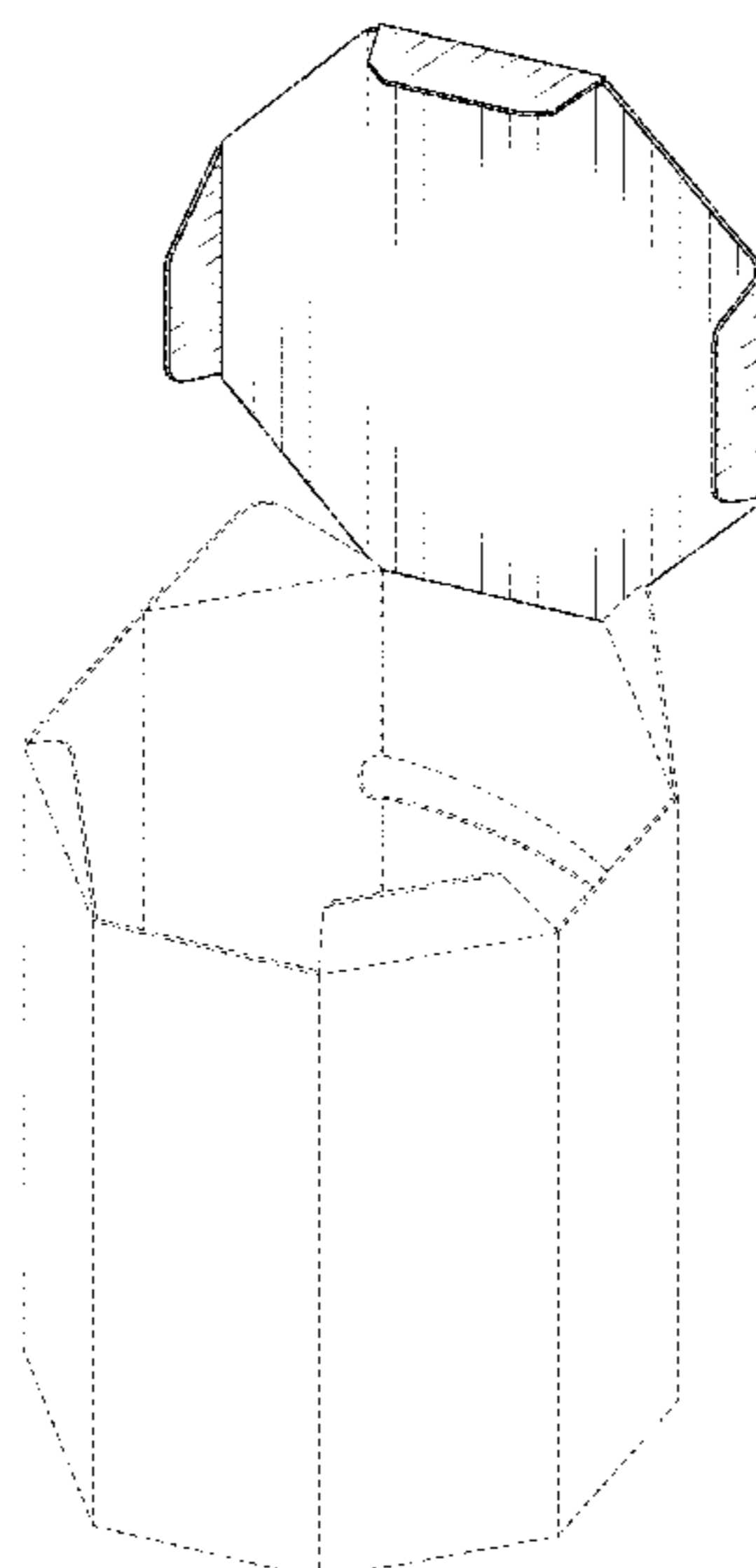
FIG. 1 is a perspective view of a closure for a container according to the invention, in an open position;  
FIG. 2 is front elevational view of a closure for a container according to the invention, in an open position;  
FIG. 3 is a rear elevational view of a closure for a container according to the invention, in an open position;  
FIG. 4 is a left side elevational view of a closure for a container according to the invention, in an open position;  
FIG. 5 is a right side elevational view of a closure for a container according to the invention, in an open position;  
FIG. 6 is top plan view of a closure for a container according to the invention, in an open position;  
FIG. 7 is a bottom plan view of a closure for a container according to the invention, in an open position;  
FIG. 8 is a perspective view of a closure for a container according to the invention, in a closed position;  
FIG. 9 is a perspective view of a closure for a container according to the invention, in a closed position; and,  
FIG. 10 is a front elevational view of a closure for a container according to the invention, in a closed position.  
In the drawings, the broken lines are for the purpose of illustrating portions of the closure for container that forms no part of the claimed design.

(56) **References Cited**

**U.S. PATENT DOCUMENTS**

- 2,357,092 A \* 8/1944 De Mian ..... B65D 5/12  
229/125.14
- 2,472,079 A \* 6/1949 James ..... A45C 11/02  
206/8
- 2,726,803 A \* 12/1955 Ketler ..... B65D 5/2033  
229/5.5
- 2,819,833 A \* 1/1958 Sauer ..... B65D 5/2033  
229/109
- 3,115,292 A \* 12/1963 Repking ..... B65D 5/14  
229/235

**1 Claim, 8 Drawing Sheets**



(56)

References Cited

U.S. PATENT DOCUMENTS

3,791,562 A \* 2/1974 Bamberg ..... B65D 5/74  
 222/528  
 3,877,631 A \* 4/1975 Lai ..... B65D 5/12  
 229/109  
 3,937,392 A \* 2/1976 Swisher ..... B65D 5/12  
 229/108  
 3,966,112 A \* 6/1976 Gordon ..... B65D 5/2033  
 229/110  
 4,199,098 A \* 4/1980 Lopez ..... B65D 5/06  
 229/108.1  
 4,205,775 A \* 6/1980 Swan ..... B65D 5/12  
 229/104  
 4,341,337 A \* 7/1982 Beach, Jr. .... B65D 5/18  
 229/108.1  
 4,850,506 A \* 7/1989 Heaps, Jr. .... B65D 77/061  
 229/117.3  
 5,096,073 A \* 3/1992 O'Brien ..... A47F 5/02  
 211/163  
 D334,805 S \* 4/1993 Ivey ..... D24/131  
 D348,609 S \* 7/1994 Eisman ..... D9/423  
 D380,937 S \* 7/1997 Beckerman ..... D7/554.1  
 5,749,489 A \* 5/1998 Benner ..... B65D 77/061  
 229/109

D397,294 S \* 8/1998 Saulas ..... D9/430  
 6,481,617 B2 \* 11/2002 Yang ..... B65D 5/14  
 206/736  
 D466,810 S \* 12/2002 Ekkert ..... D9/434  
 D472,466 S \* 4/2003 Weinstein ..... D9/430  
 D582,266 S \* 12/2008 Helms, Jr. .... D9/430  
 8,091,768 B2 \* 1/2012 Wisecarver ..... B65D 5/68  
 229/109  
 D656,394 S \* 3/2012 Smith ..... D9/433  
 8,690,048 B2 \* 4/2014 Philips ..... B65D 5/566  
 229/199  
 8,840,072 B2 \* 9/2014 Muse ..... B65B 67/1205  
 248/95  
 D725,315 S \* 3/2015 Gabriel ..... D30/121  
 8,998,070 B2 \* 4/2015 Wisecarver ..... B65D 5/106  
 229/117.35  
 D786,668 S 5/2017 Cornaglia  
 D845,121 S \* 4/2019 Webb ..... D9/414  
 D875,521 S \* 2/2020 Elman ..... D9/430  
 D899,074 S \* 10/2020 Roy ..... D3/203.5  
 D906,124 S \* 12/2020 Palican ..... D9/705  
 2005/0067476 A1 \* 3/2005 Hengami ..... B65D 5/723  
 229/129.1  
 2010/0006629 A1 \* 1/2010 Bettinger ..... B65D 5/029  
 229/109

\* cited by examiner

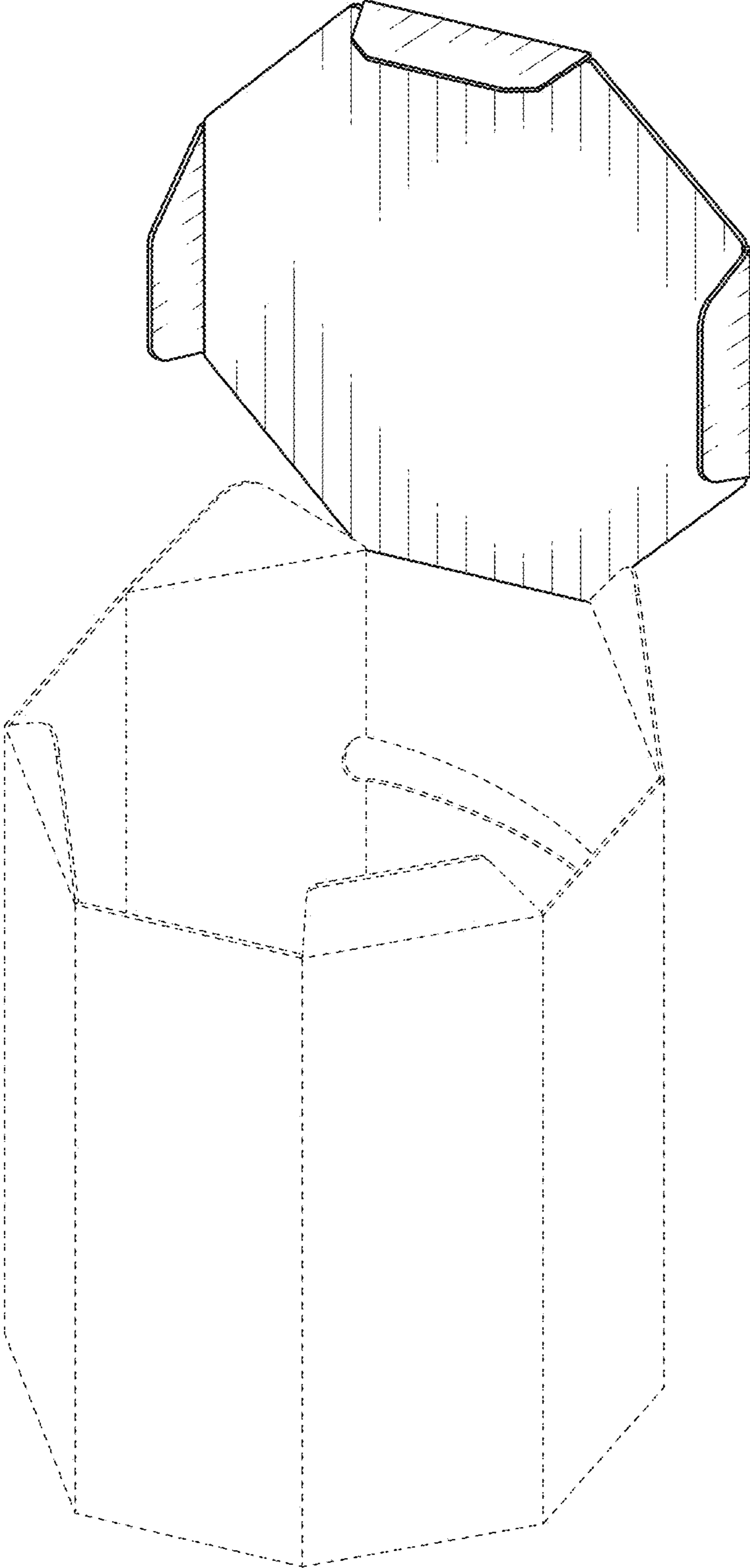


FIG. 1

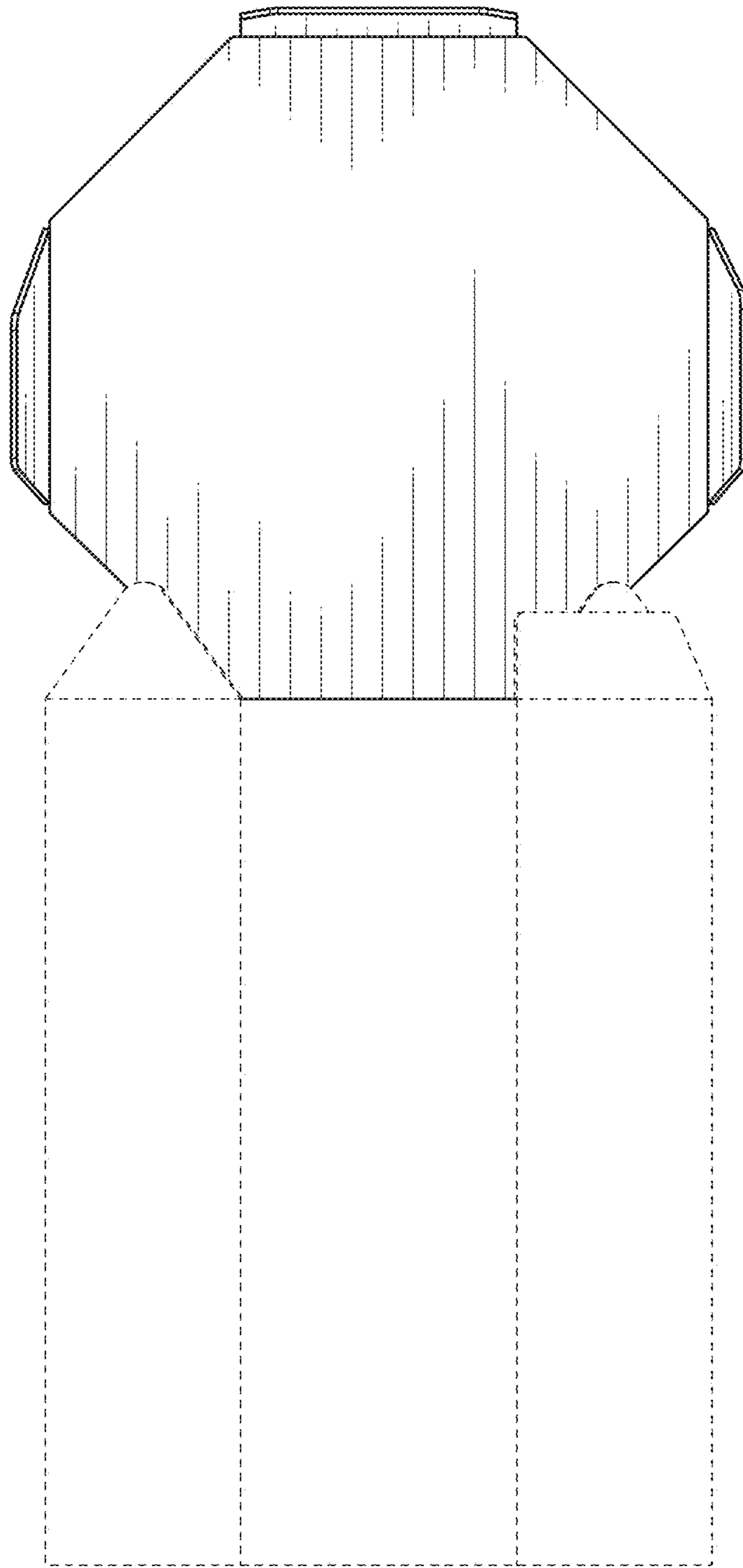


FIG. 2

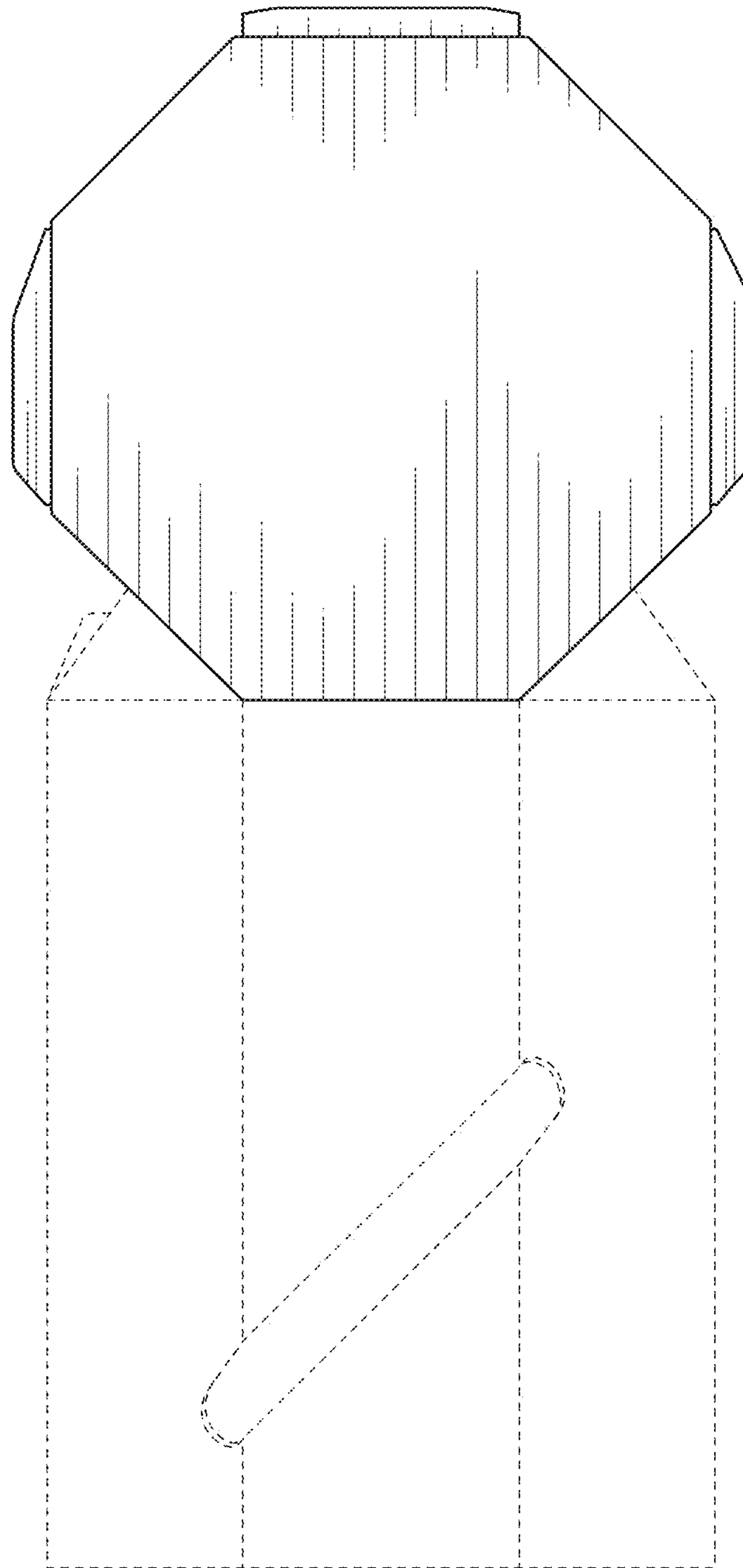


FIG. 3

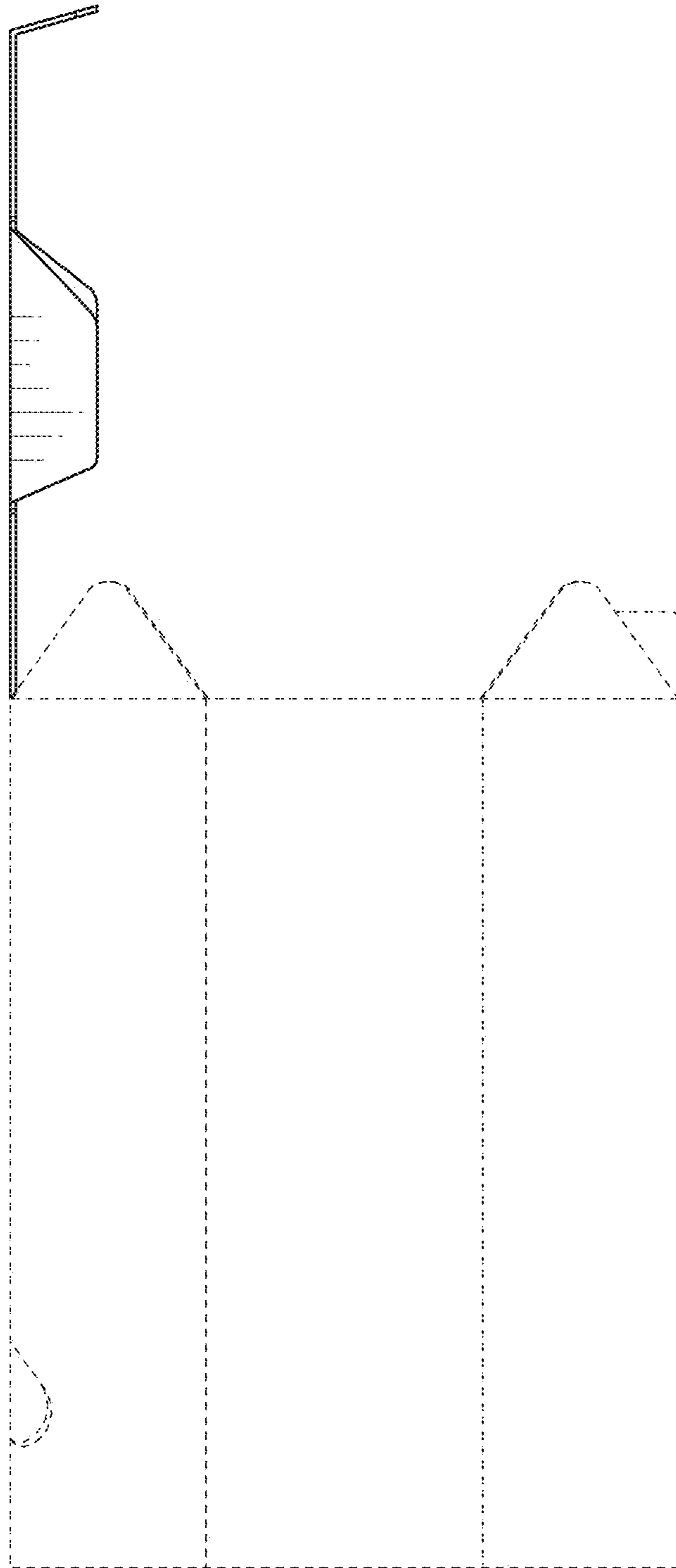


FIG. 4

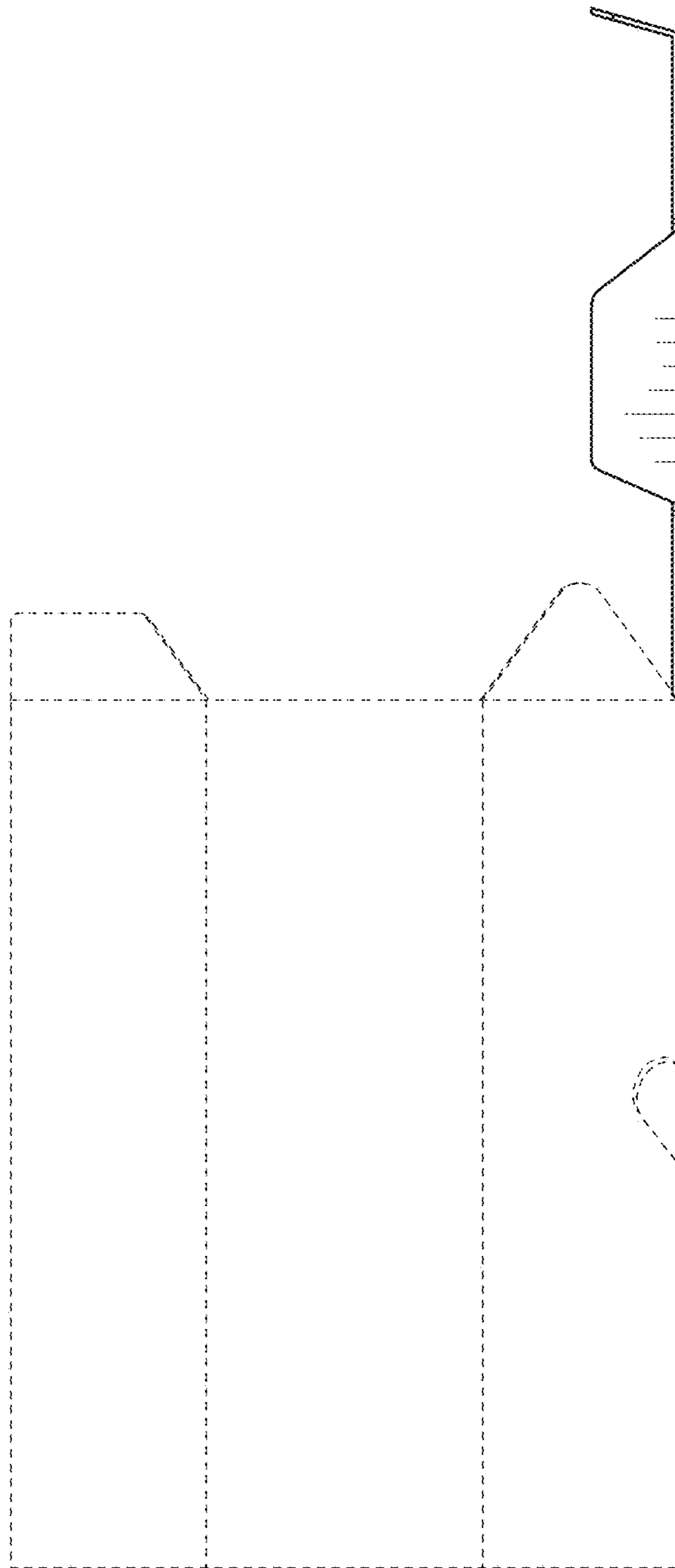


FIG. 5

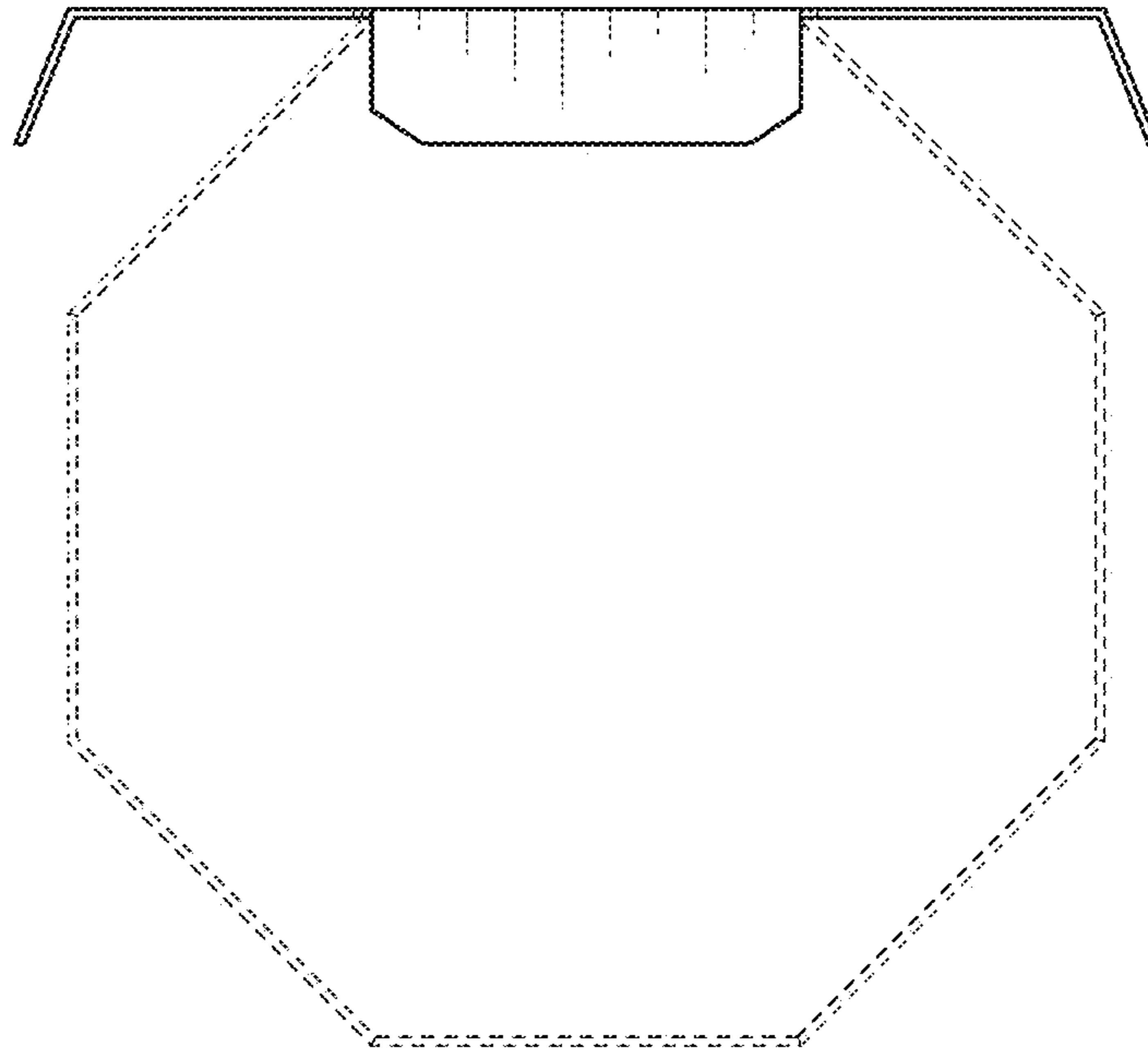


FIG. 6

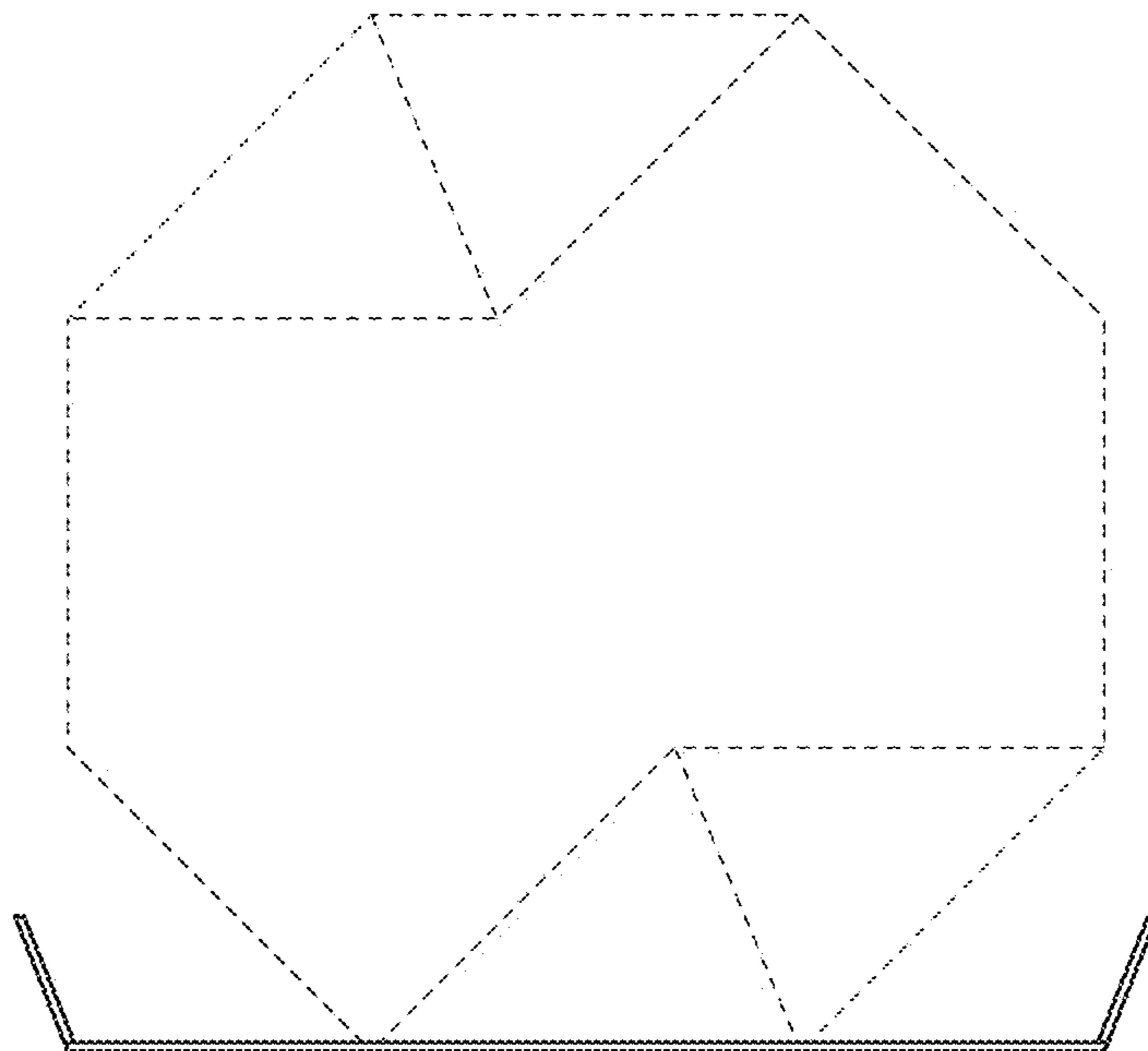


FIG. 7



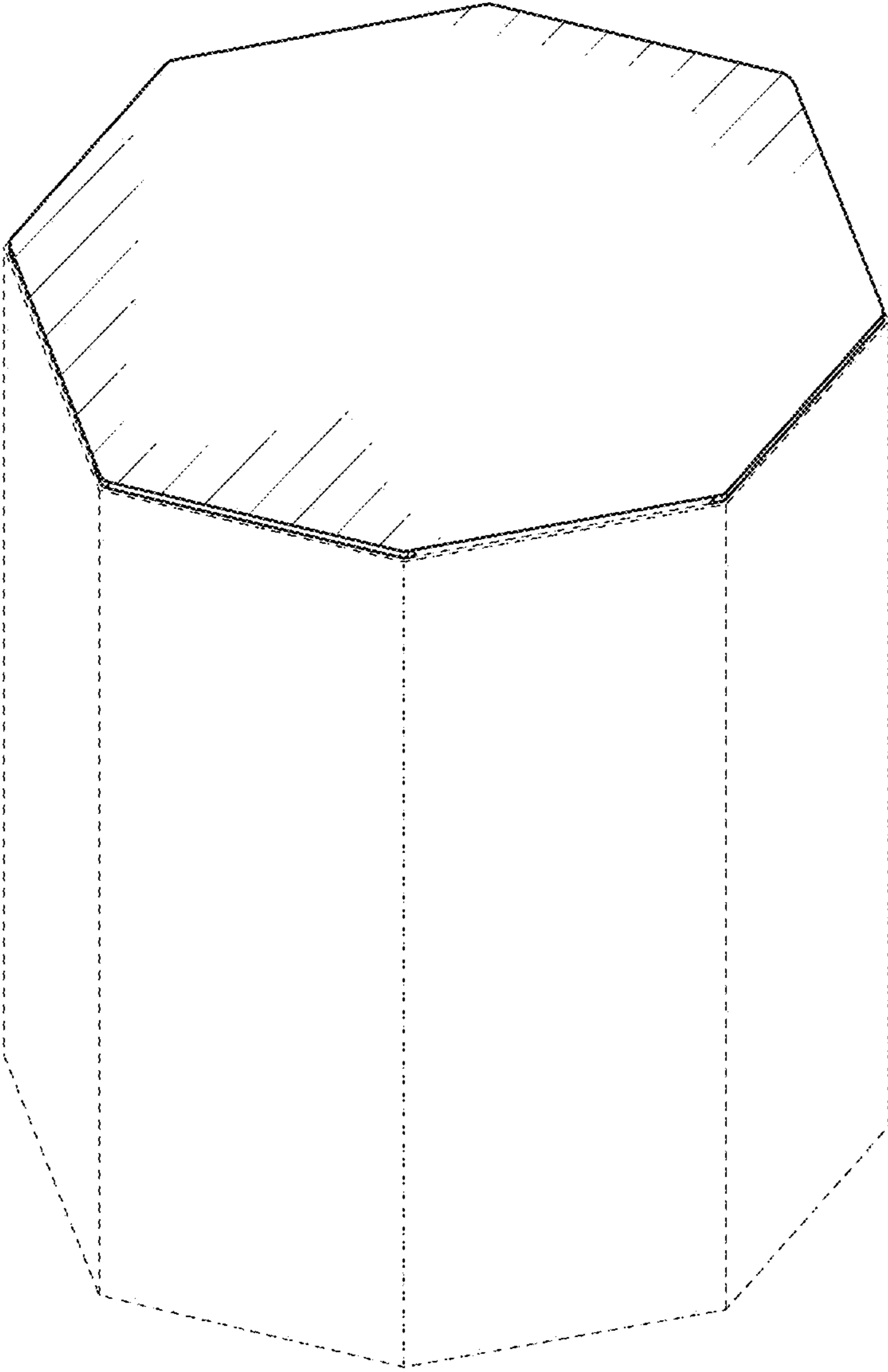


FIG. 8

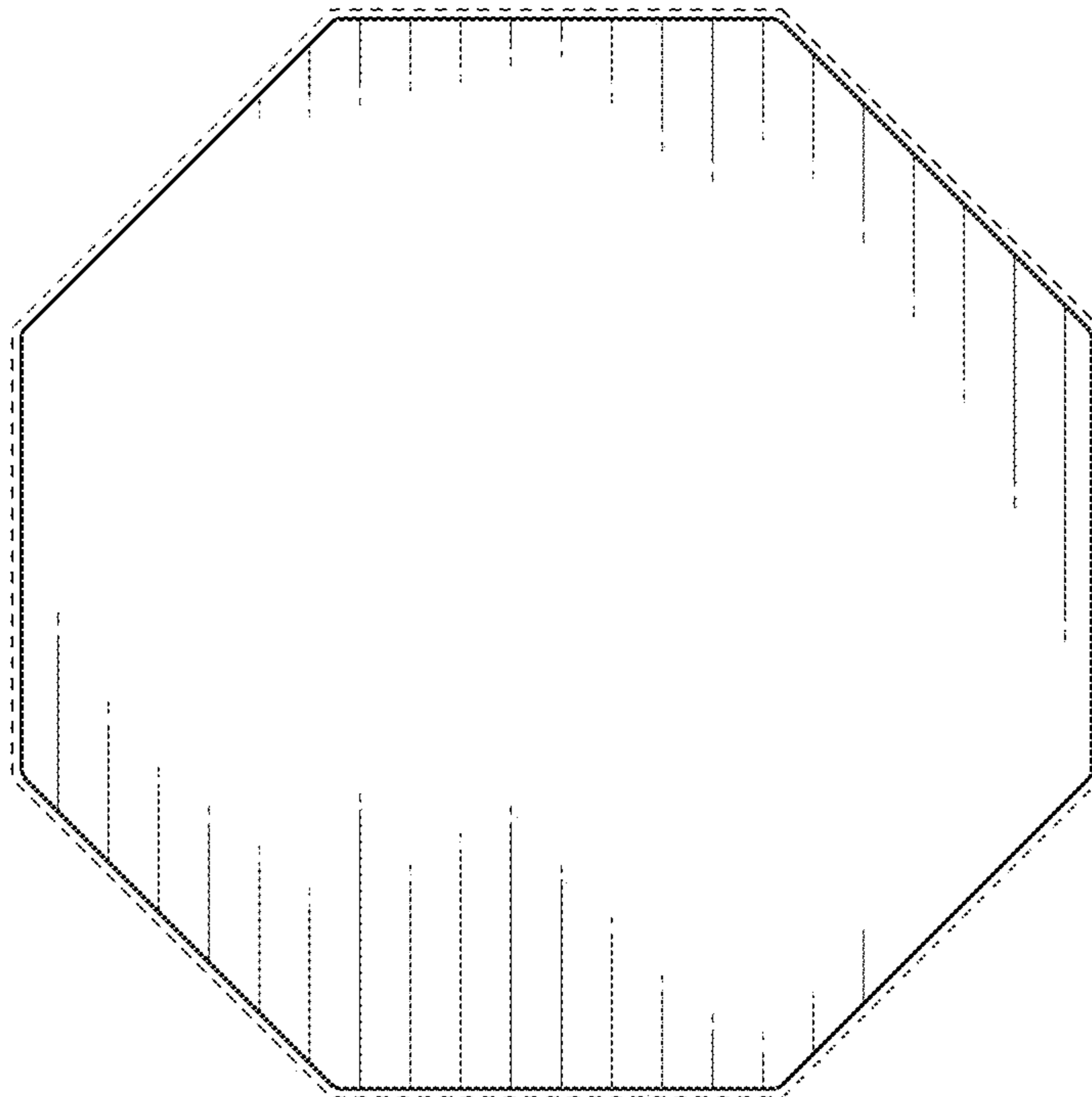


FIG. 9



FIG. 10