



US00D917275S

(12) **United States Design Patent** (10) **Patent No.:** **US D917,275 S**
Gallay (45) **Date of Patent:** **** Apr. 27, 2021**

(54) **PACKAGING POT**
(71) Applicant: **ERCA**, Courtaboeuf (FR)
(72) Inventor: **Fabrice Gallay**, Clamart (FR)
(73) Assignee: **ERCA**, Courtaboeuf (FR)
(**) Term: **15 Years**
(21) Appl. No.: **29/663,700**
(22) Filed: **Sep. 18, 2018**
(30) **Foreign Application Priority Data**

D699,566 S * 2/2014 De Pra D9/425
D715,649 S * 10/2014 O'Brien D9/500
D716,648 S * 11/2014 Tan D9/416
D753,482 S * 4/2016 Serrano D9/428
9,604,749 B2 * 3/2017 Ferry B65D 1/40
D793,857 S * 8/2017 Rice D9/425
D795,054 S * 8/2017 Likourezos D9/414
D798,718 S * 10/2017 Foster D9/500
D823,051 S * 7/2018 Sharma D9/503
D836,004 S * 12/2018 Oommen D9/756
D845,771 S * 4/2019 Davila Bracho D9/500
D884,475 S * 5/2020 Rapparini D9/500
D885,189 S * 5/2020 Rapparini D9/500
2003/0108714 A1 * 6/2003 Razeti B32B 15/08
428/138
2012/0251679 A1 * 10/2012 Ferry B65D 1/10
426/130

Mar. 26, 2018 (EM) 005121001-0001
(51) **LOC (13) Cl.** **09-03**
(52) **U.S. Cl.**
USPC **D9/416**
(58) **Field of Classification Search**
USPC D9/414-420, 500, 425, 428, 429, 503,
D9/756; D7/630
CPC B65D 1/40; B65D 1/10; B65D 1/30; A47J
36/2405; B32B 15/08
See application file for complete search history.

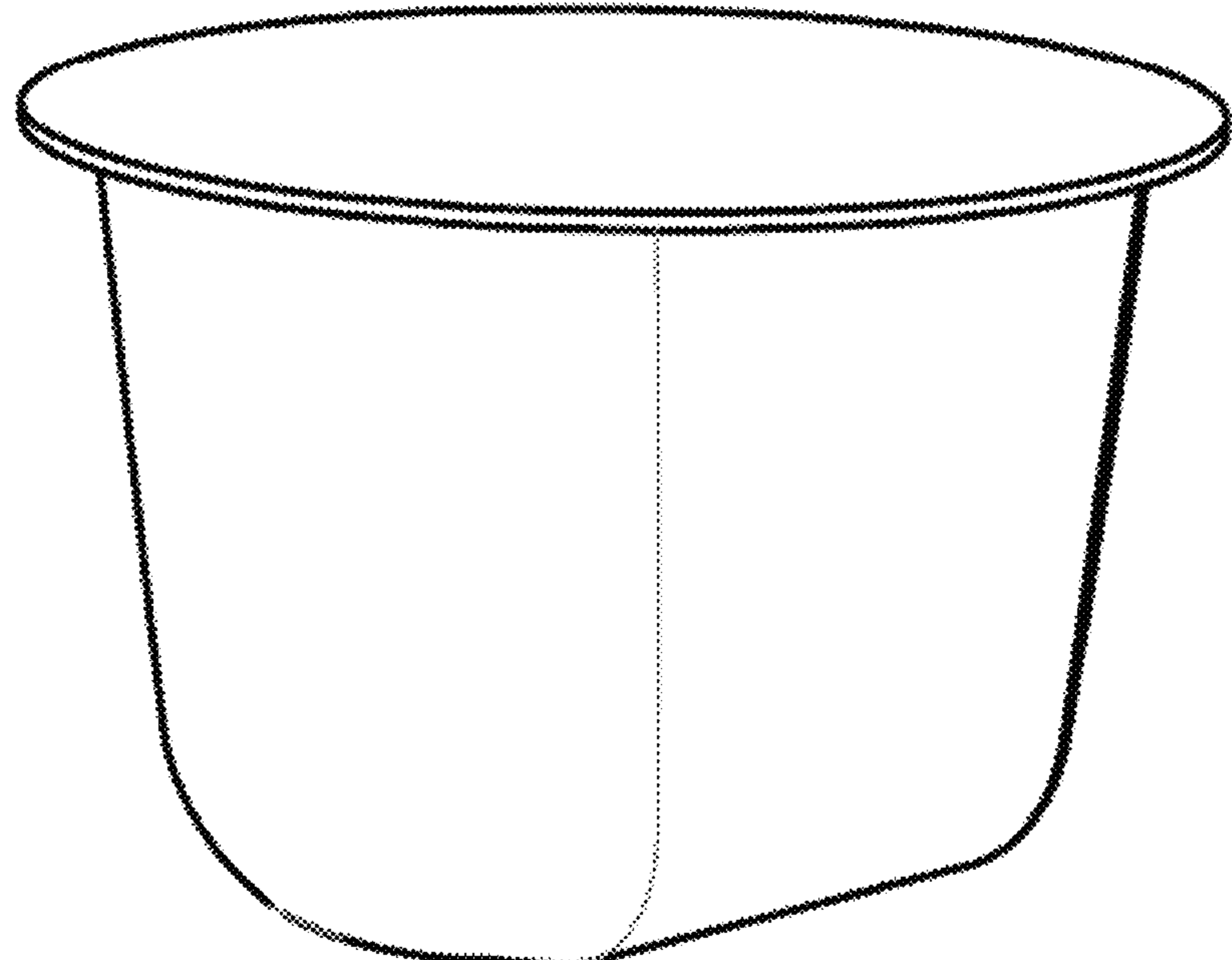
* cited by examiner
Primary Examiner — Rhea Shields
(74) *Attorney, Agent, or Firm* — Ladas & Parry LLP

(56) **References Cited**
U.S. PATENT DOCUMENTS
5,782,376 A * 7/1998 Brauner B65D 1/30
220/669
7,922,027 B2 * 4/2011 Boyden A47J 36/2405
220/573.2
D651,096 S * 12/2011 Nakagiri D9/503
D652,266 S * 1/2012 Smyers D7/630
D658,493 S * 5/2012 Cometto D9/503
D687,297 S * 8/2013 O'Brien D9/429
D688,124 S * 8/2013 Crosby D9/428
D698,239 S * 1/2014 De Pra D9/425

(57) **CLAIM**
The ornamental design for a packaging pot, as shown and described.

DESCRIPTION
FIG. 1 is a perspective view showing a packaging pot of my new design;
FIG. 2 is a front elevational view thereof;
FIG. 3 is a rear elevational view thereof;
FIG. 4 is a bottom plan view thereof;
FIG. 5 is a top plan view thereof;
FIG. 6 is a right-side elevational view thereof; and,
FIG. 7 is a left side elevational view thereof.
In FIG. 4, the broken lines are for the purpose of illustrating portions of the packaging pot that forms no part of the claimed design.

1 Claim, 7 Drawing Sheets



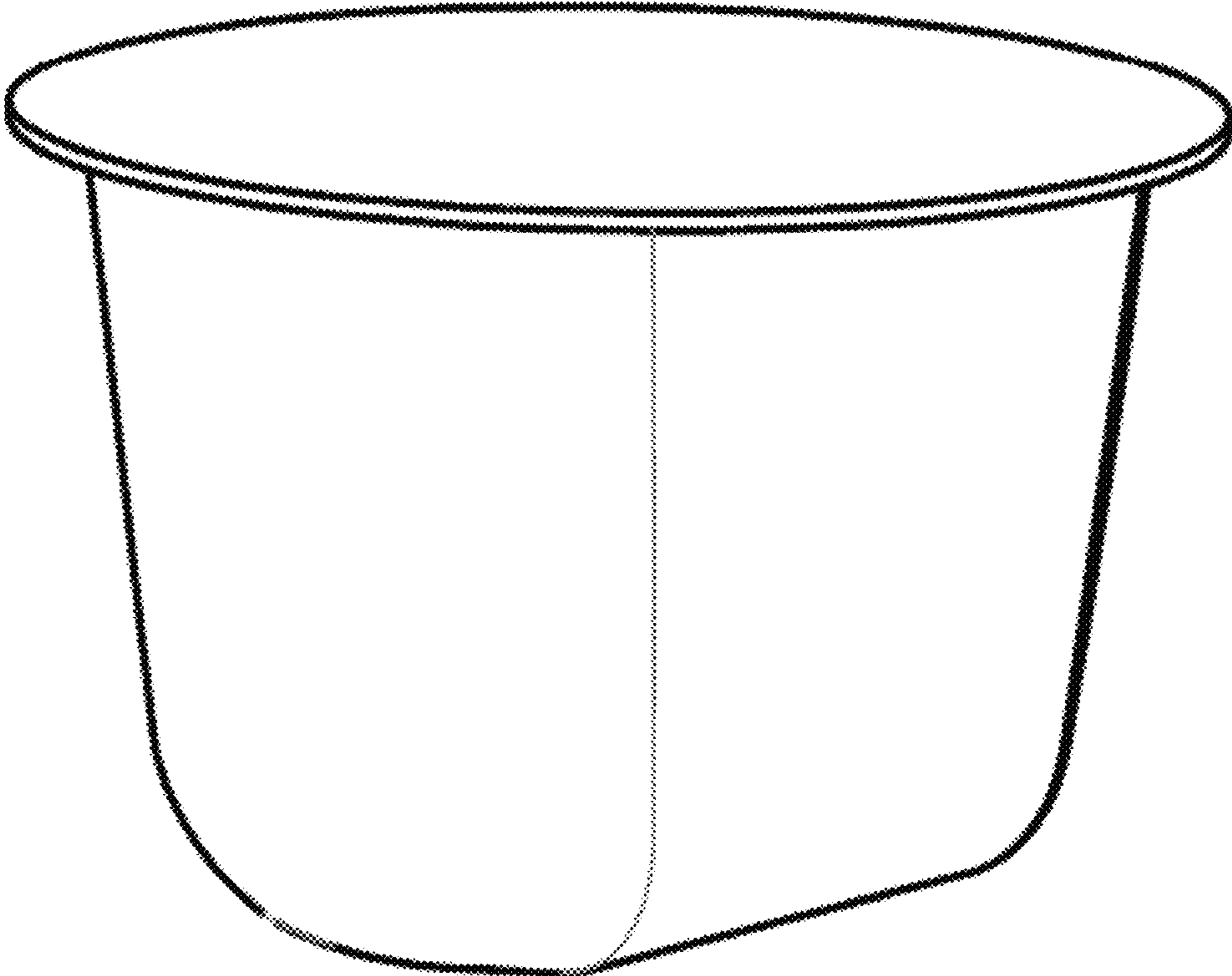


Figure 1

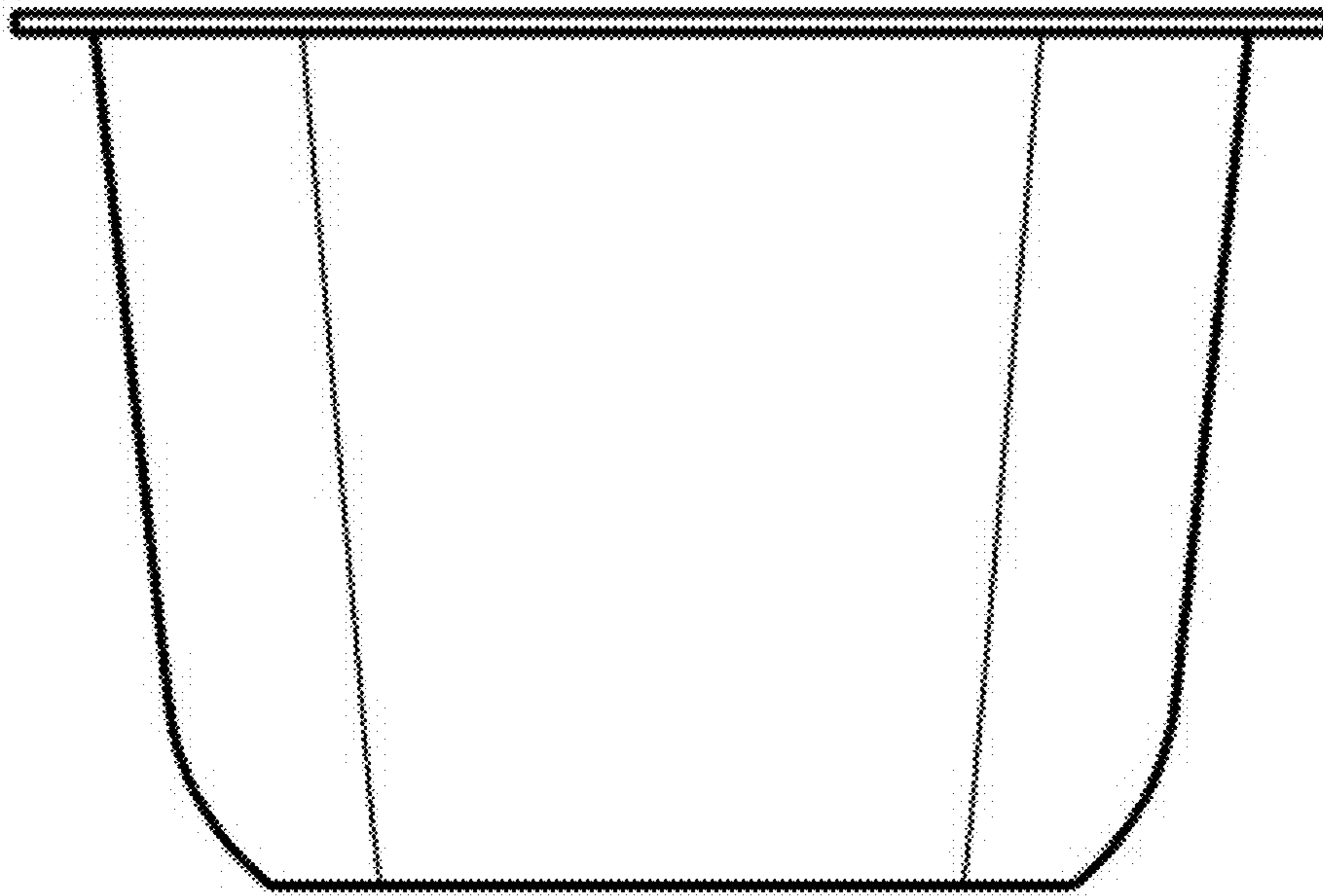


Figure 2

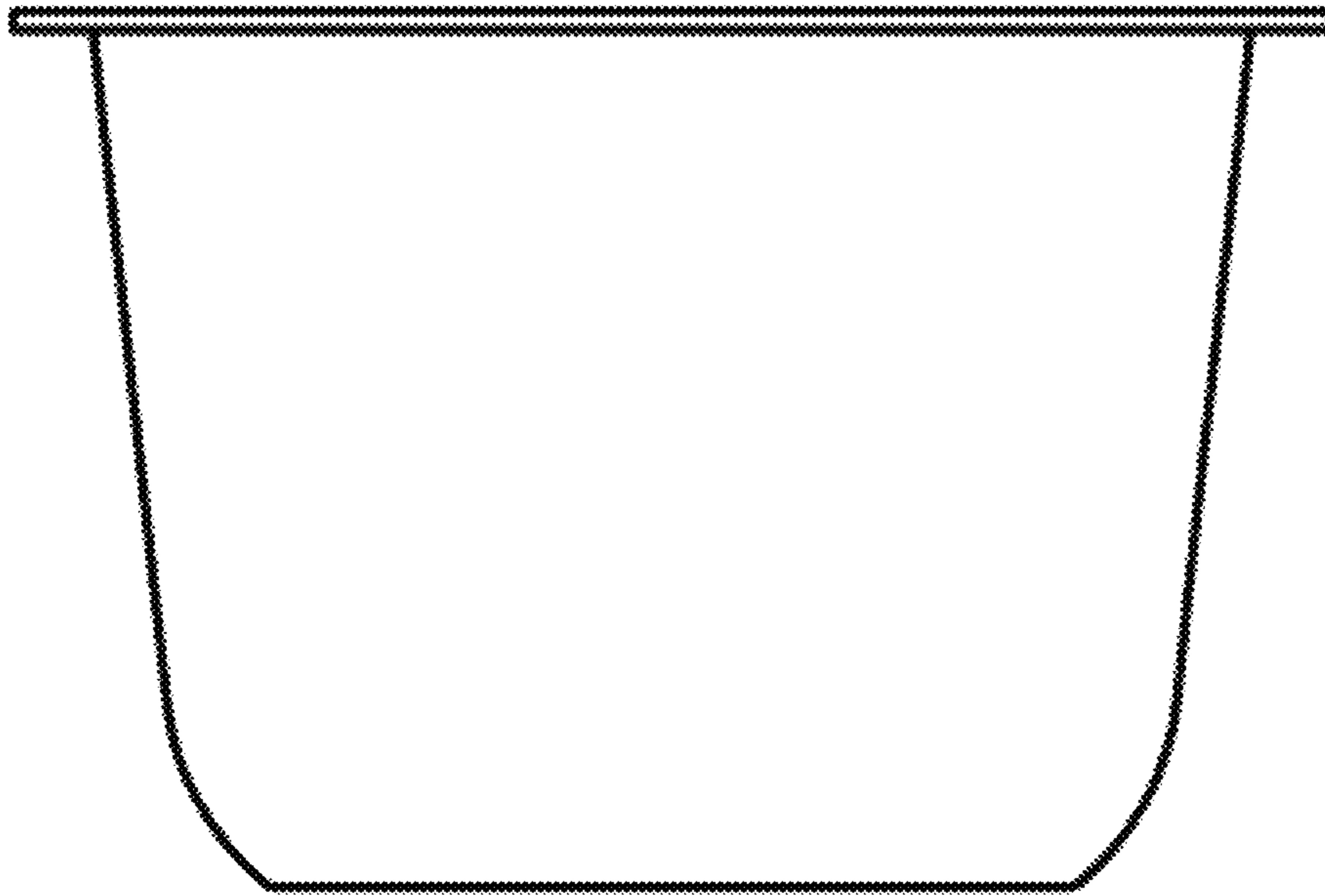


Figure 3

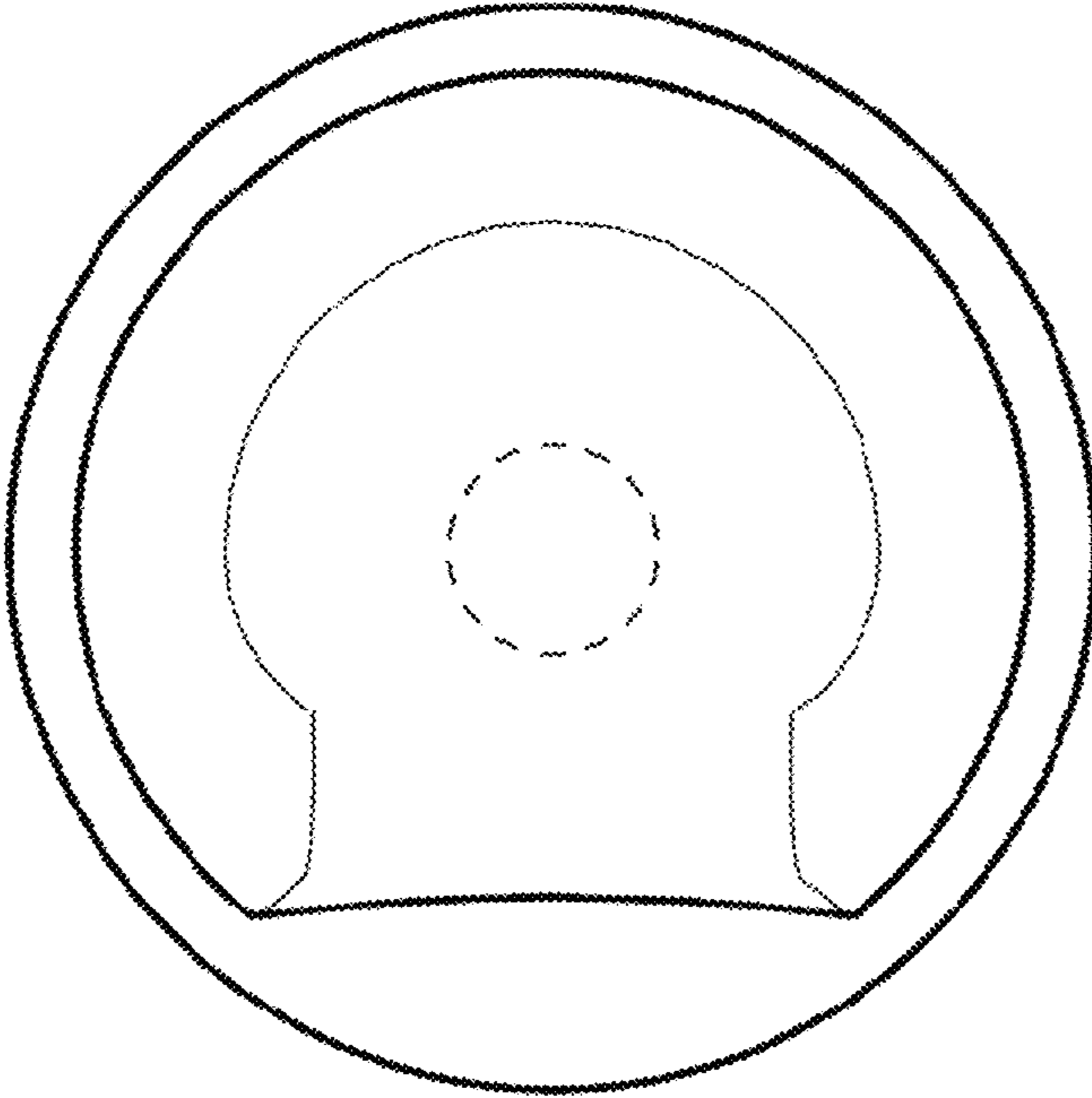


FIG. 4

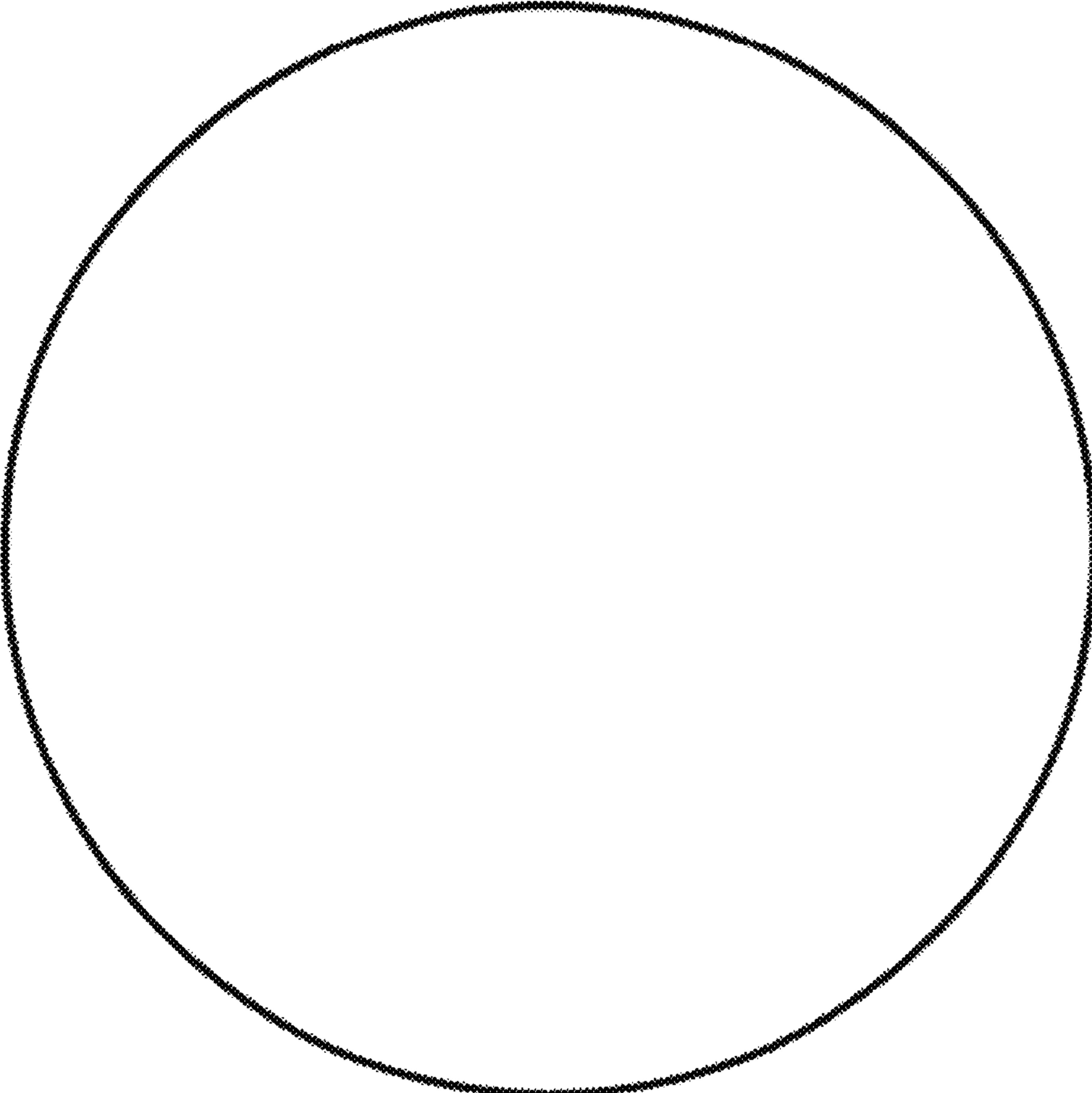


Figure 5

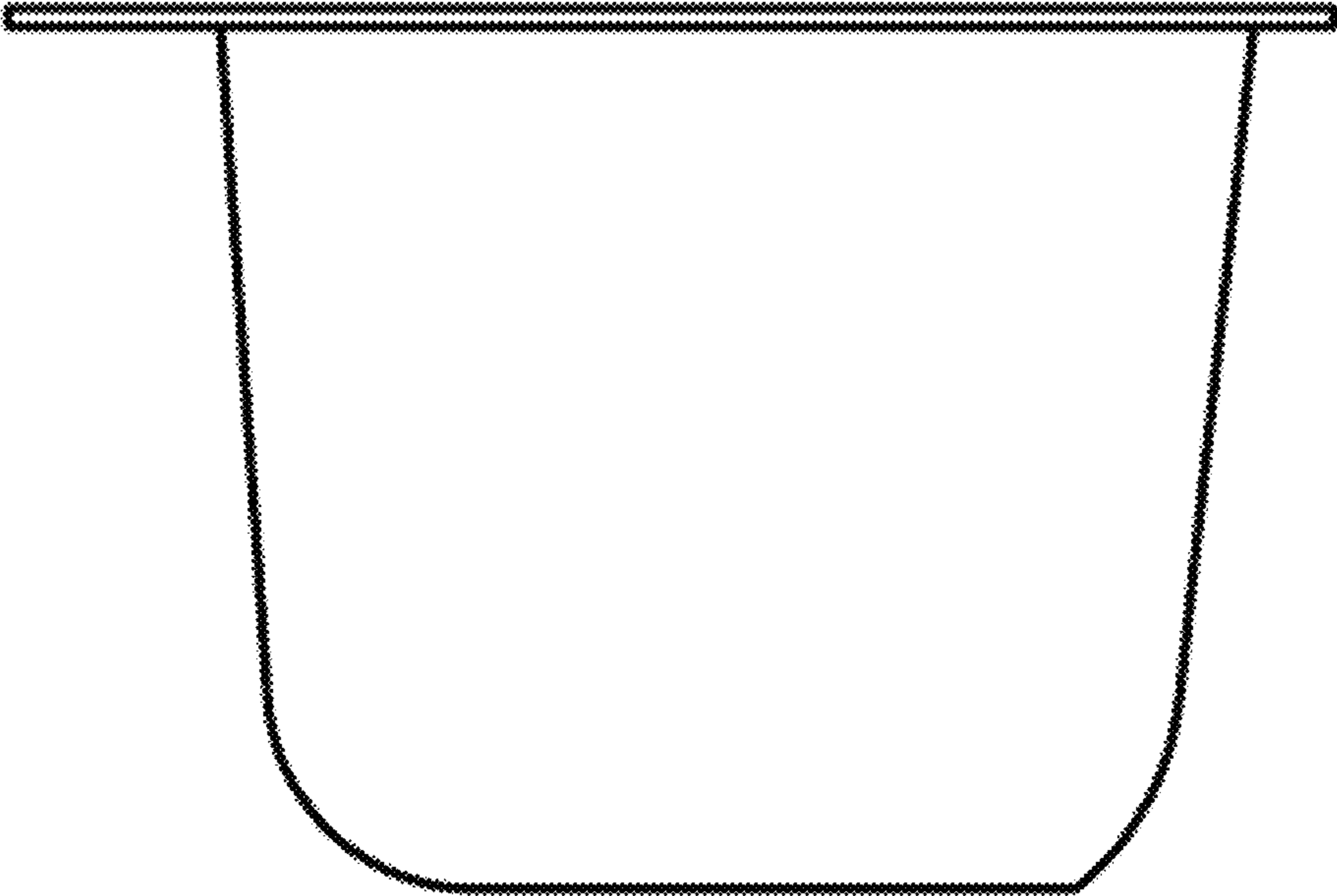


Figure 6

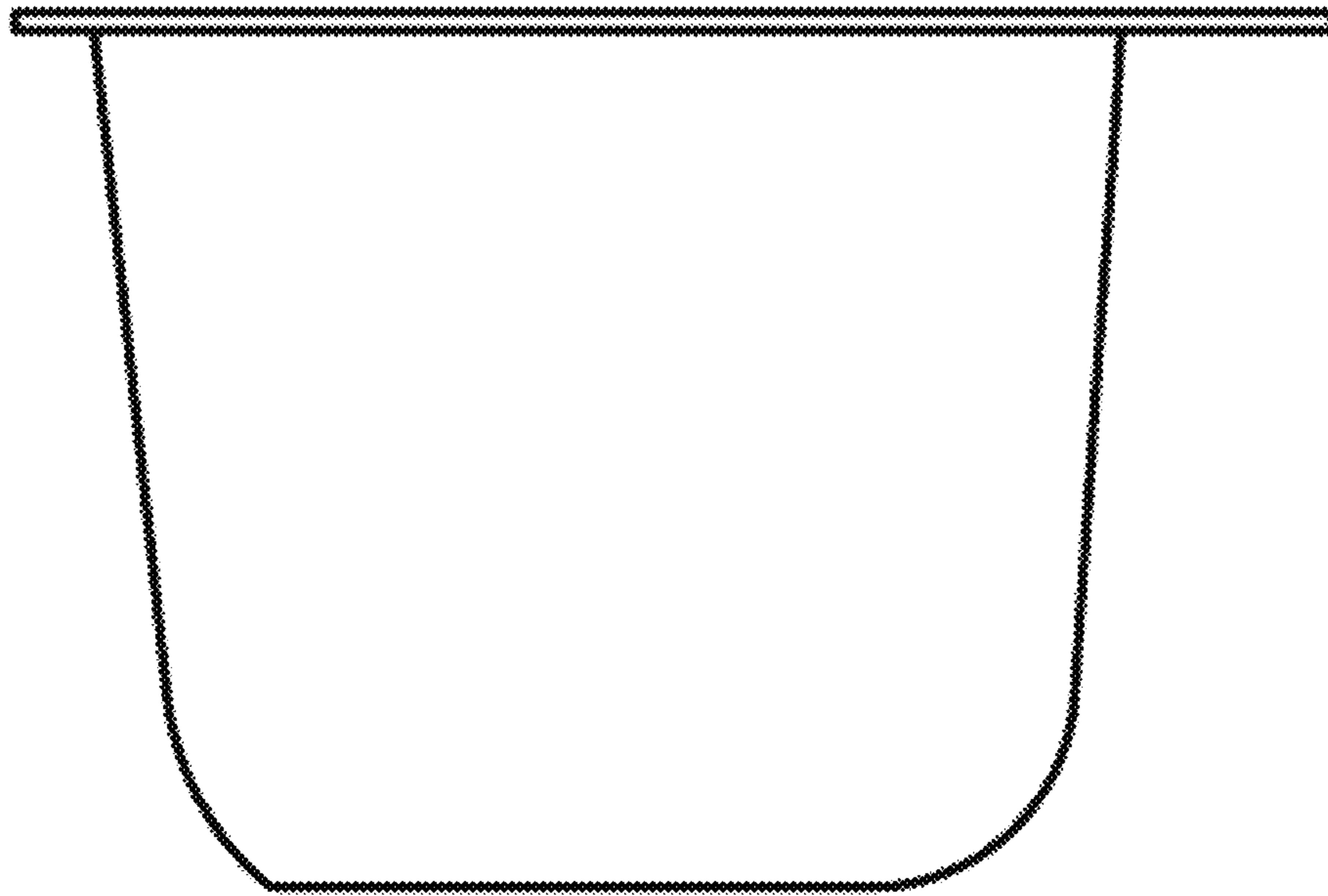


Figure 7