



US00D917273S

(12) **United States Design Patent** (10) **Patent No.:** **US D917,273 S**
Ilin (45) **Date of Patent:** **** Apr. 27, 2021**

(54) **WEAR PLATE FIXING DEVICE
COMPRISING A CAPPING NUT, A
THREADED SHAFT AND A CAM NUT**

DESCRIPTION

(71) Applicant: **Alloy Steel Australia (INT) Pty Ltd,**
Swan (AU)

(72) Inventor: **Dmitrii Ilin,** Swan (AU)

(73) Assignee: **ALLOY STEEL AUSTRALIA (INT
PTY LTD,** Swan (AU)

(**) Term: **15 Years**

(21) Appl. No.: **29/688,895**

(22) Filed: **Apr. 25, 2019**

(30) **Foreign Application Priority Data**

Oct. 25, 2018 (AU) 201816413

(51) **LOC (13) Cl.** **08-08**

(52) **U.S. Cl.**
USPC **D8/397**

(58) **Field of Classification Search**
USPC D8/397, 394, 382, 349, 399; 411/376.2,
411/84

(Continued)

(56) **References Cited**

U.S. PATENT DOCUMENTS

3,493,025 A * 2/1970 Van Huffel F16B 37/046
411/103

5,168,781 A * 12/1992 Tenuta B25B 13/06
81/121.1

(Continued)

Primary Examiner — Cynthia R Underwood

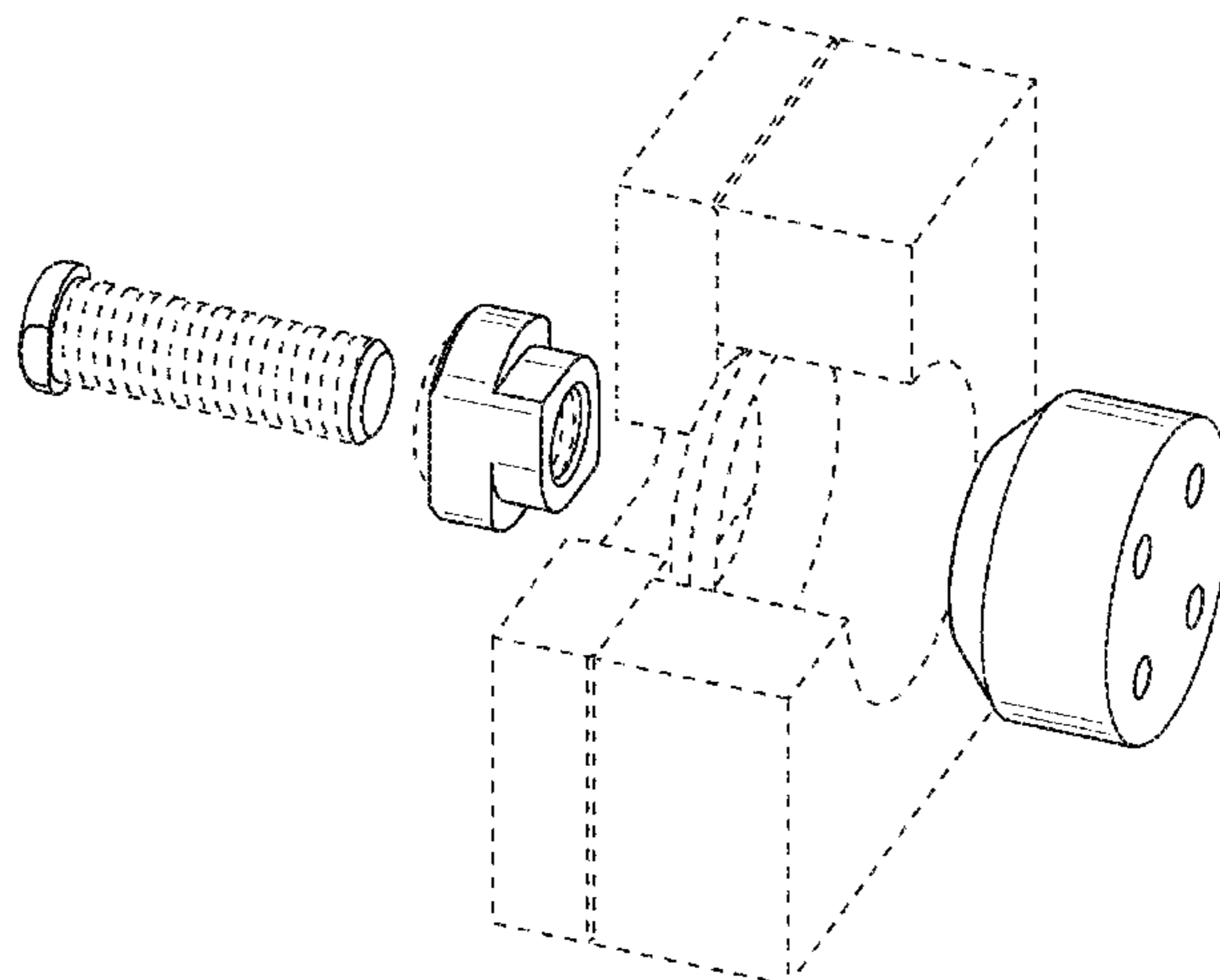
(74) *Attorney, Agent, or Firm* — Sand, Sebolt & Wernow
Co., LPA

(57) **CLAIM**

The ornamental design for a wear plate fixing device comprising a capping nut, a threaded shaft and a cam nut, as shown and described.

FIG. 1 is a perspective view of a wear plate fixing device comprising a capping nut, a threaded shaft and a cam nut according to my design;
FIG. 2 is a perspective view of the wear plate fixing device comprising a capping nut, a threaded shaft and a cam nut of FIG. 1 engaging an insert attached to a wear plate, which abuts a rear support;
FIG. 3 is a front elevation view of the capping nut shown separated from the wear plate fixing device comprising a capping nut, a threaded shaft and a cam nut of FIG. 1;
FIG. 4 is a side elevation view of the capping nut shown separated from the wear plate fixing device comprising a capping nut, a threaded shaft and a cam nut of FIG. 1;
FIG. 5 is a rear elevation view of the capping nut shown separated from the wear plate fixing device comprising a capping nut, a threaded shaft and a cam nut of FIG. 1;
FIG. 6 is a top plan view of the threaded shaft shown separated from the wear plate fixing device comprising a capping nut, a threaded shaft and a cam nut of FIG. 1;
FIG. 7 is a side elevation view of the threaded shaft shown separated from the wear plate fixing device comprising a capping nut, a threaded shaft and a cam nut of FIG. 1;
FIG. 8 is a front elevation view of the threaded shaft shown separated from the wear plate fixing device comprising a capping nut, a threaded shaft and a cam nut of FIG. 1;
FIG. 9 is a rear elevation view of the threaded shaft shown separated from the wear plate fixing device comprising a capping nut, a threaded shaft and a cam nut of FIG. 1;
FIG. 10 is a front elevation view of the cam nut shown separated from the wear plate fixing device comprising a capping nut, a threaded shaft and a cam nut of FIG. 1;
FIG. 11 is a rear elevation view of the cam nut shown separated from the wear plate fixing device comprising a capping nut, a threaded shaft and a cam nut of FIG. 1;
FIG. 12 is a top plan view of the cam nut shown separated from the wear plate fixing device comprising a capping nut, a threaded shaft and a cam nut of FIG. 1;
FIG. 13 is a side elevation view of the cam nut shown separated from the wear plate fixing device comprising a capping nut, a threaded shaft and a cam nut of FIG. 1;
FIG. 14 is a side elevation view of the assembled wear plate fixing device comprising a capping nut, a threaded shaft and

(Continued)



a cam nut of FIG. 1, showing the threaded shaft in a first position and the cam nut in a first position;
 FIG. 15 is a side elevation view of the assembled wear plate fixing device comprising a capping nut, a threaded shaft and a cam nut of FIG. 1, showing the threaded shaft in a second position and the cam nut in a second position; and,
 FIG. 16 is a rear perspective view of the assembled wear plate fixing device comprising a capping nut, a threaded shaft and a cam nut.

The broken lines illustrate portions of the environment or of the wear plate fixing device comprising a capping nut, a threaded shaft and a cam nut which form no part of the claimed design.

1 Claim, 5 Drawing Sheets

(58) **Field of Classification Search**

CPC F16B 37/068; F16B 33/002; F01N 13/009
 See application file for complete search history.

(56) **References Cited**

U.S. PATENT DOCUMENTS

5,199,836 A * 4/1993 Gogarty F16B 37/045
 411/104
 5,992,272 A * 11/1999 Fortner B25B 23/0057
 81/121.1

6,733,221 B2 * 5/2004 Linger F16B 37/045
 411/104
 D499,010 S * 11/2004 Velten D8/387
 D512,302 S * 12/2005 Velten D8/397
 7,165,482 B2 * 1/2007 Shapoval B25B 15/007
 411/406
 D627,039 S * 11/2010 Yu D23/260
 D698,634 S * 2/2014 Oetlinger D8/387
 D744,821 S * 12/2015 May D8/397
 D766,069 S * 9/2016 Miller D8/349
 D775,941 S * 1/2017 May D8/397
 9,592,592 B2 * 3/2017 Prunean B25B 23/00
 D789,781 S * 6/2017 Johnson D8/397
 D792,201 S * 7/2017 Baiz D8/387
 D836,976 S * 1/2019 Reese D7/396.2
 10,300,588 B2 * 5/2019 Pauba B25B 27/02
 10,537,982 B2 * 1/2020 Prunean B25B 21/007
 D874,245 S * 2/2020 Whited D8/354
 D880,283 S * 4/2020 Fawley D8/397
 D890,604 S * 7/2020 Kirkpatrick D8/397
 2005/0051596 A1 * 3/2005 Estes B25B 31/00
 227/139
 2006/0065693 A1 * 3/2006 Eklund B25C 7/00
 227/147
 2009/0202318 A1 * 8/2009 Wang F16B 5/0208
 411/295
 2015/0273463 A1 * 10/2015 Motadel B01L 3/0275
 73/864.01
 2017/0036329 A1 * 2/2017 Santamarina B23B 31/1074
 2020/0246152 A1 * 8/2020 Marlow A61F 2/3859
 2020/0249407 A1 * 8/2020 Aznag G02B 6/4444

* cited by examiner

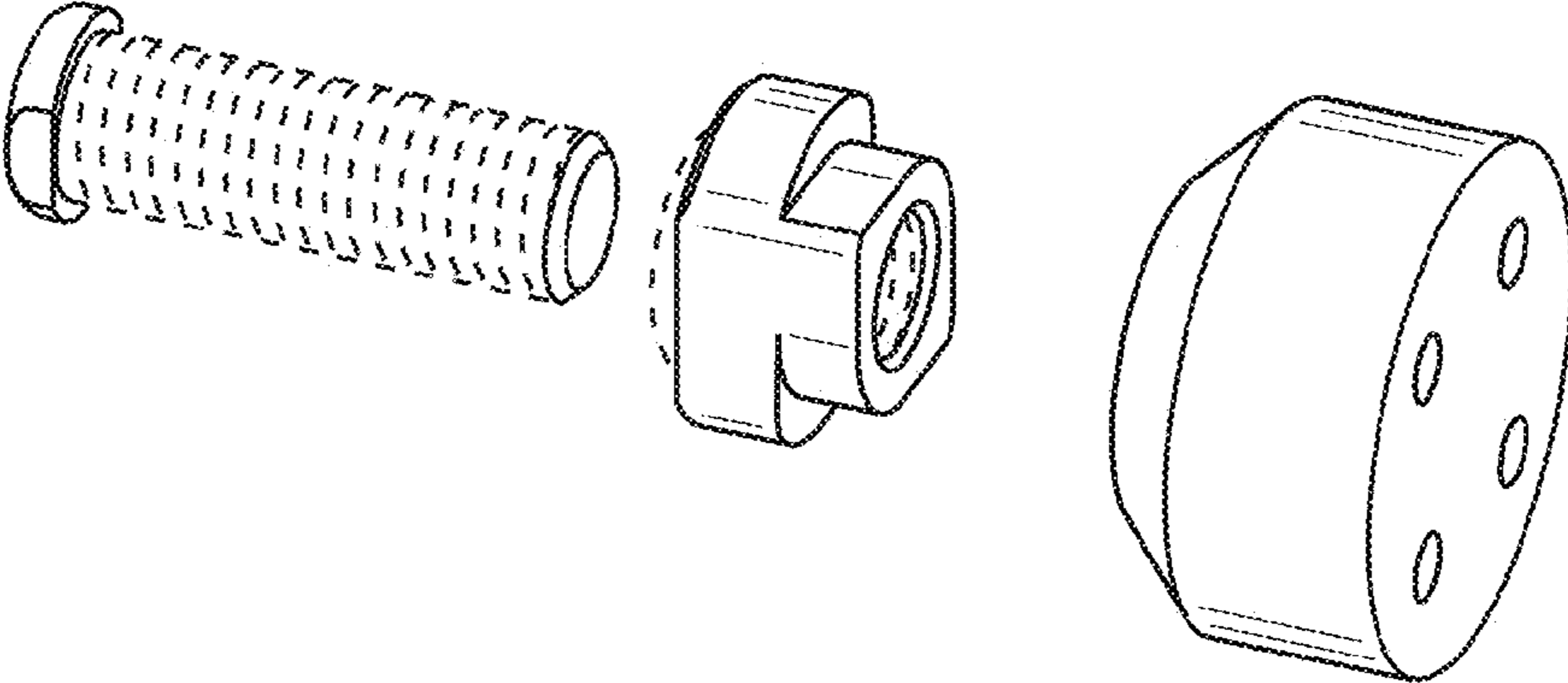


Figure 1

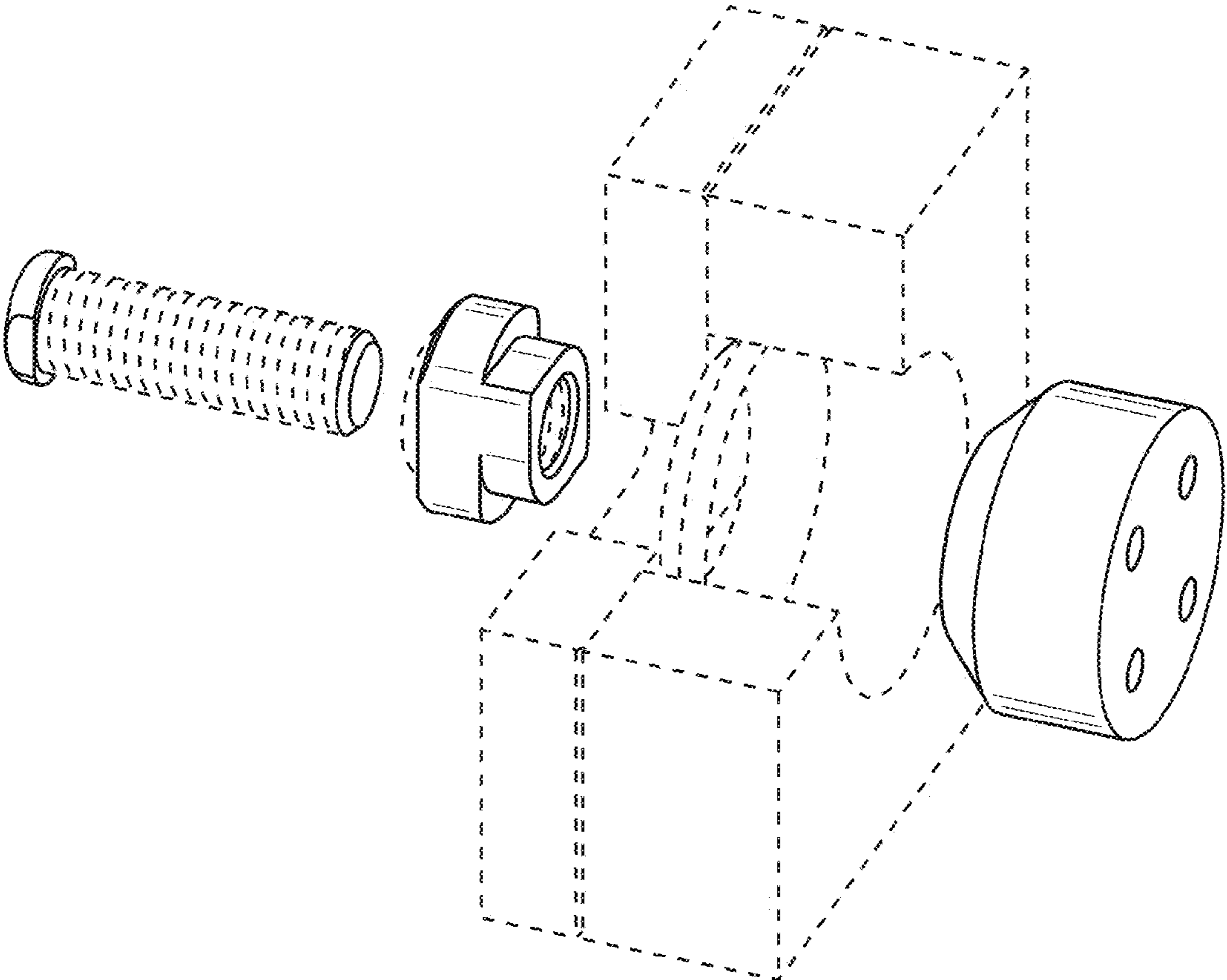


Figure 2

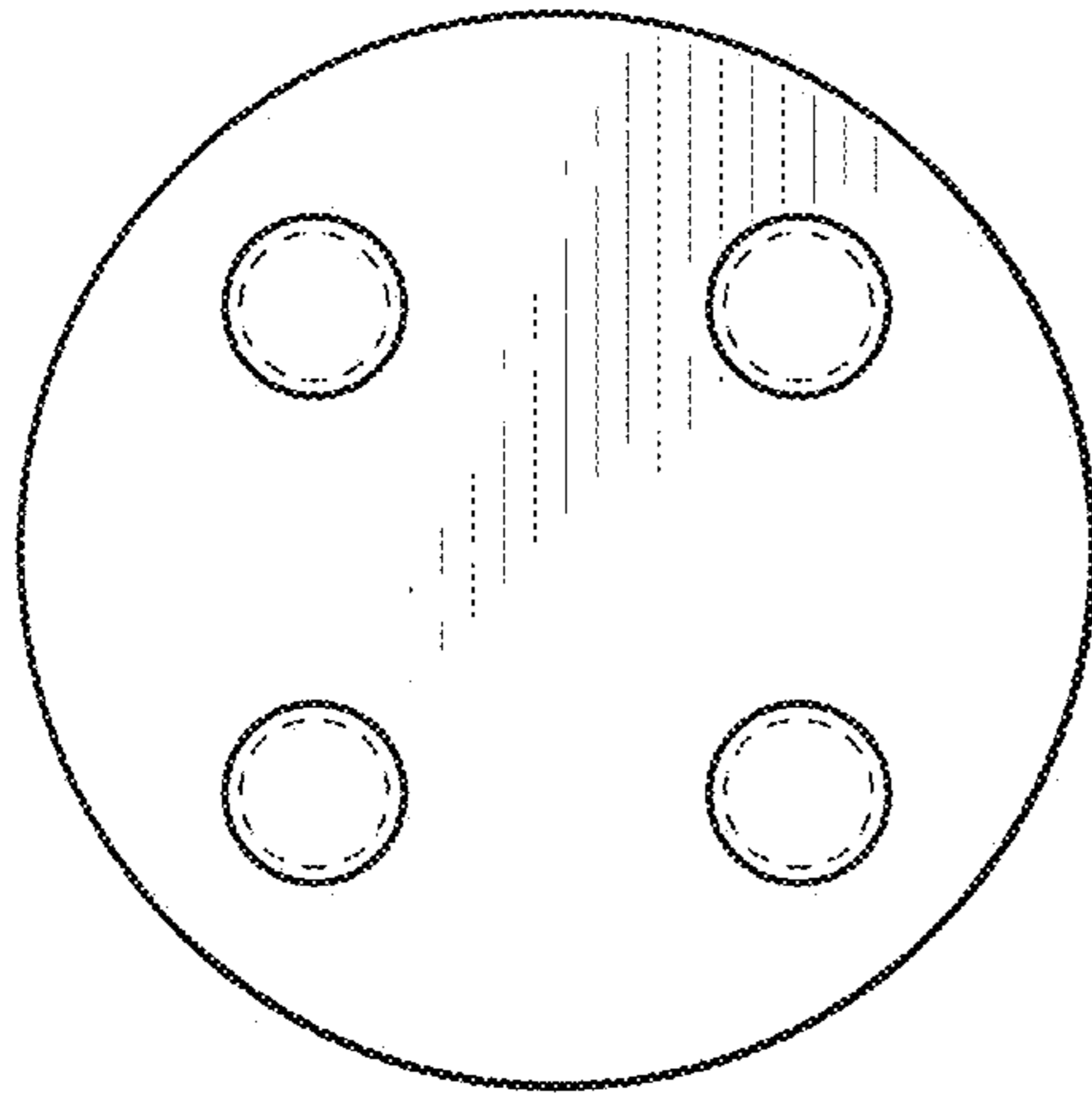


Figure 3

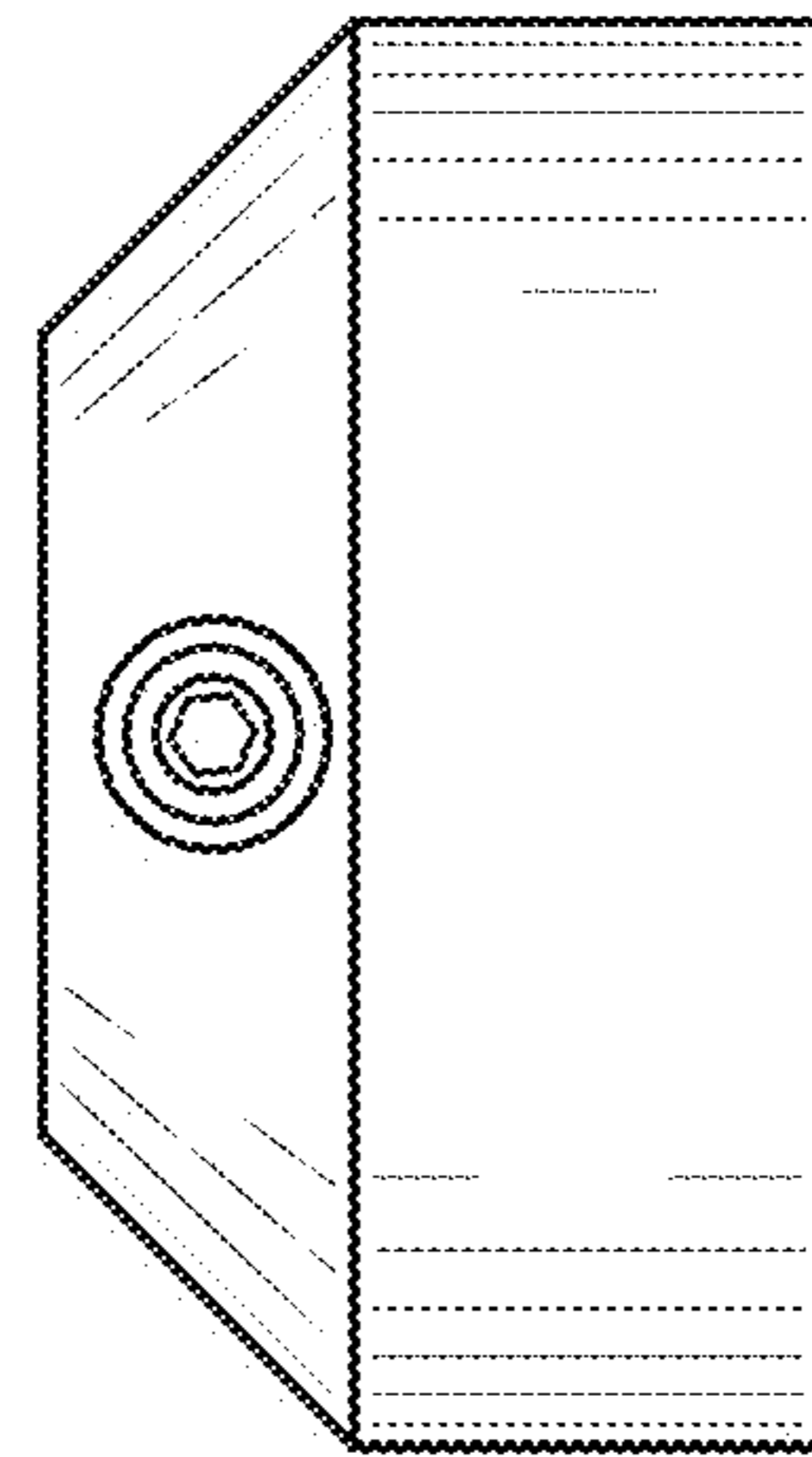


Figure 4

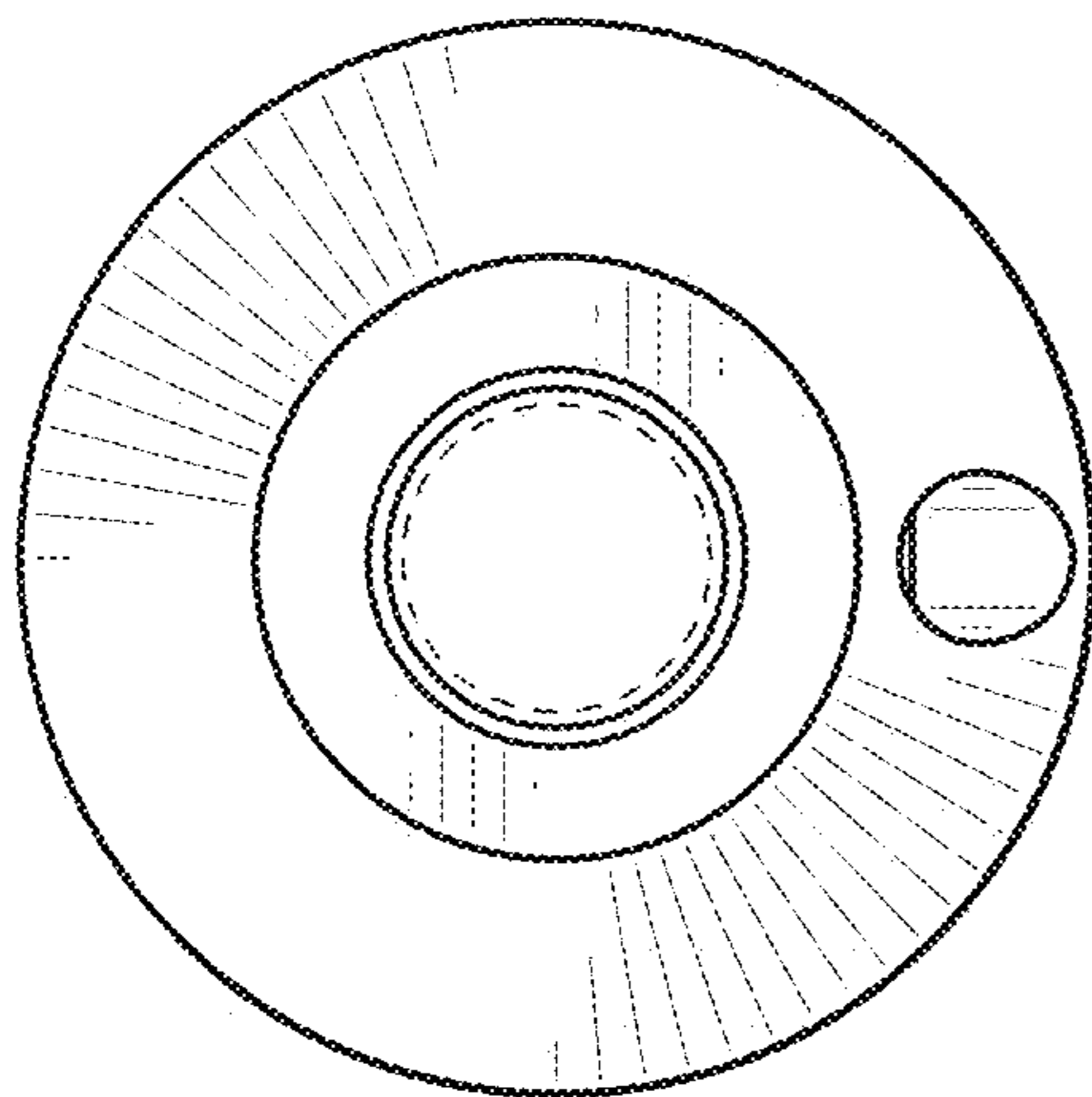


Figure 5

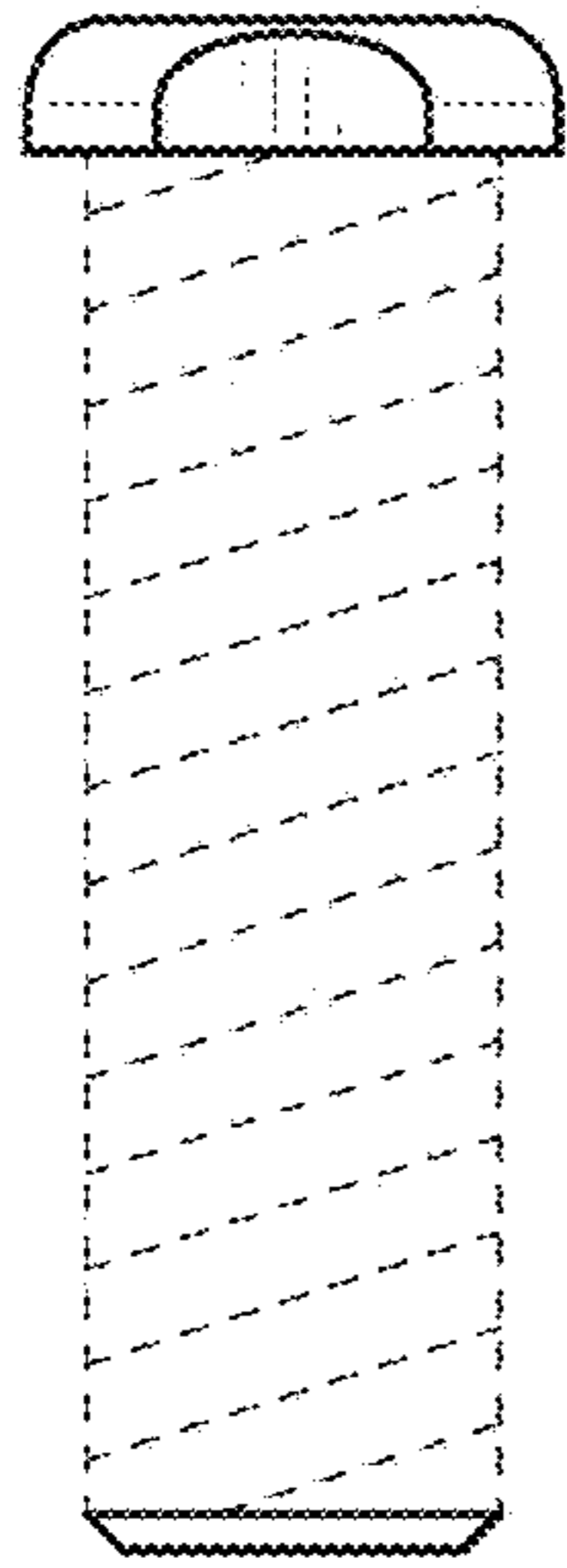


Figure 6

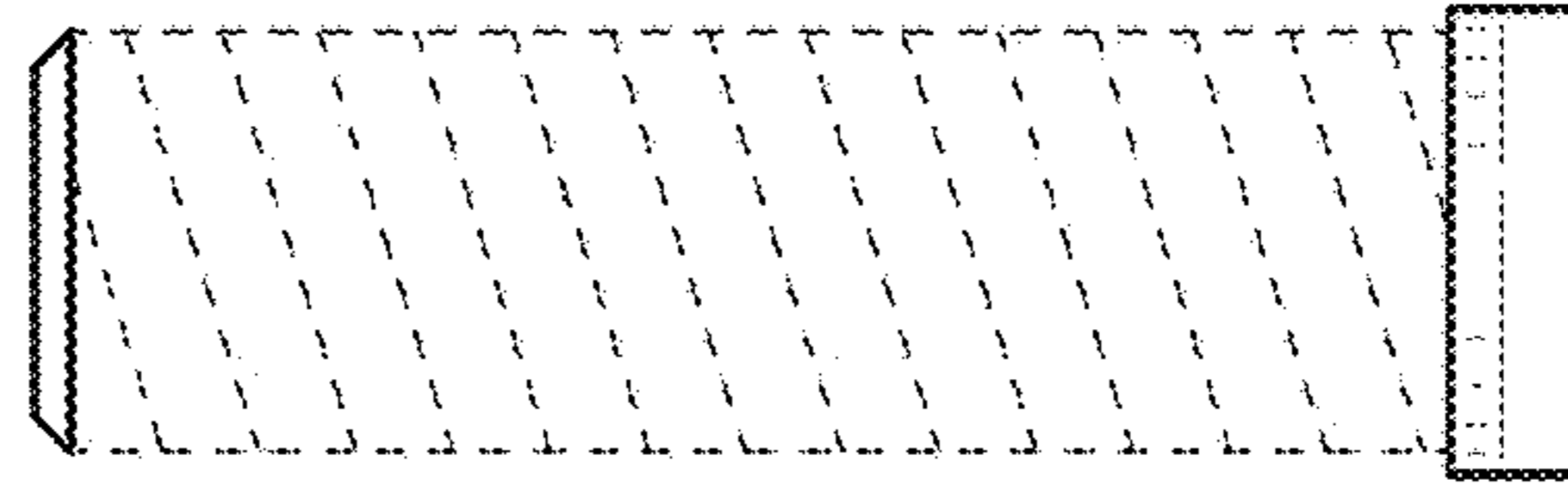


Figure 7

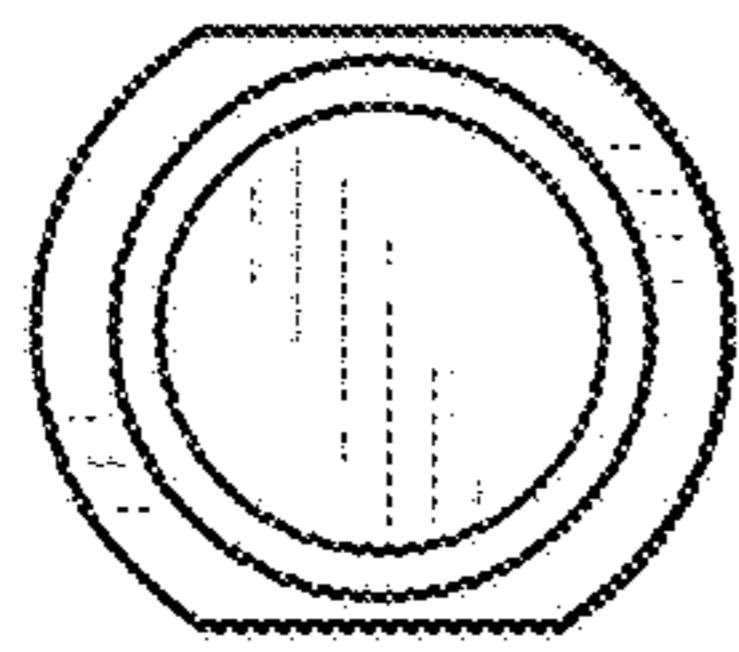


Figure 8

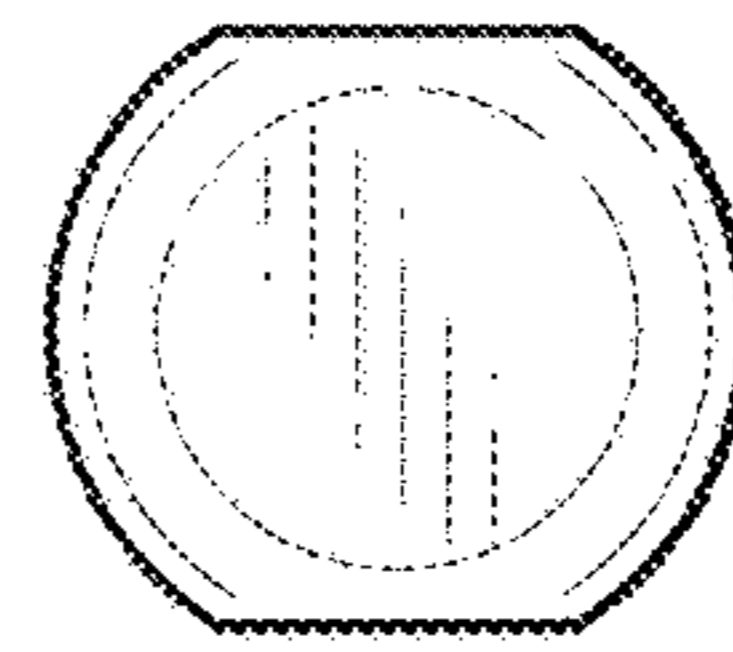


Figure 9

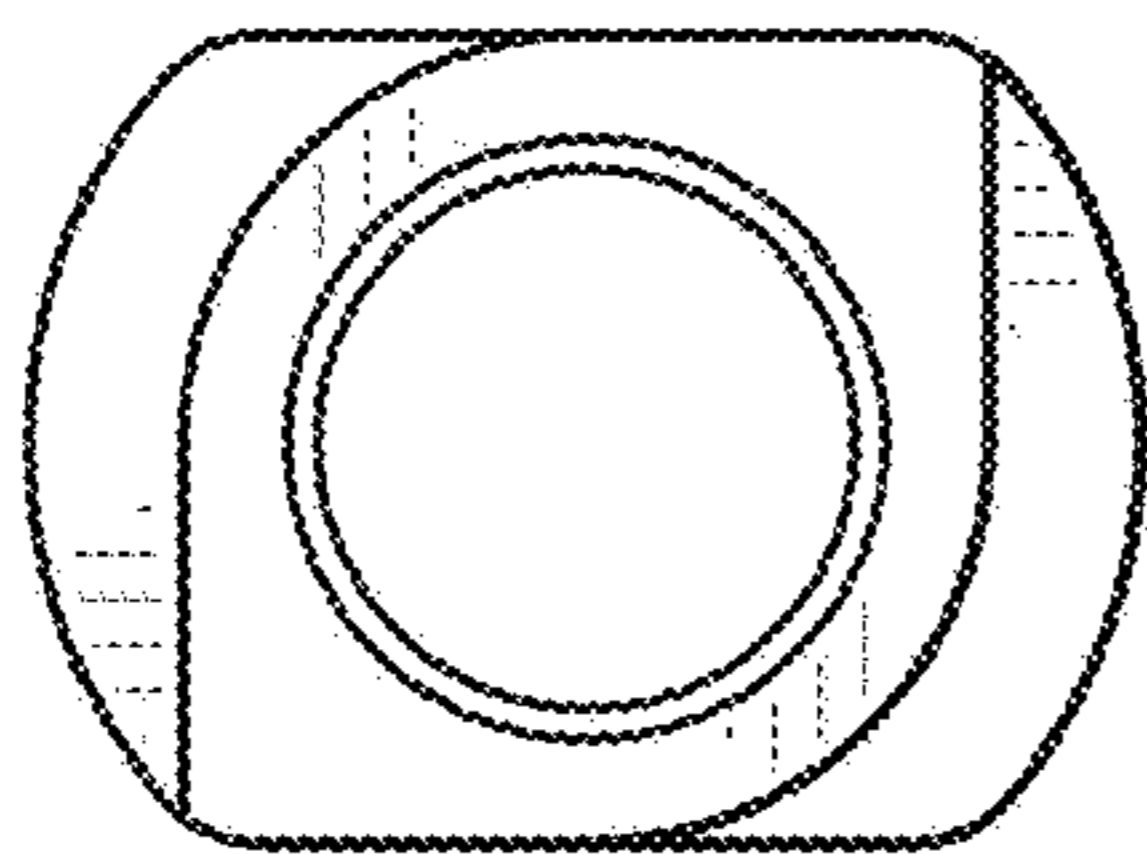


Figure 10

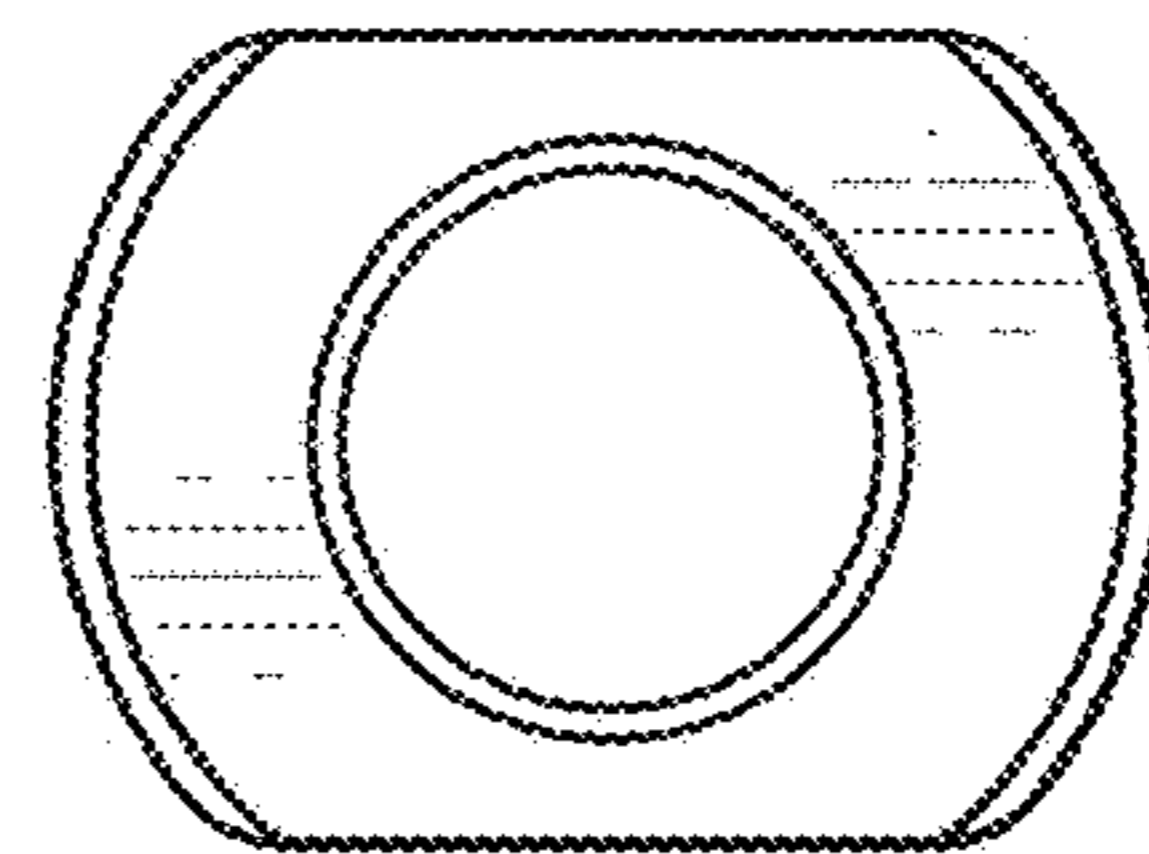


Figure 11

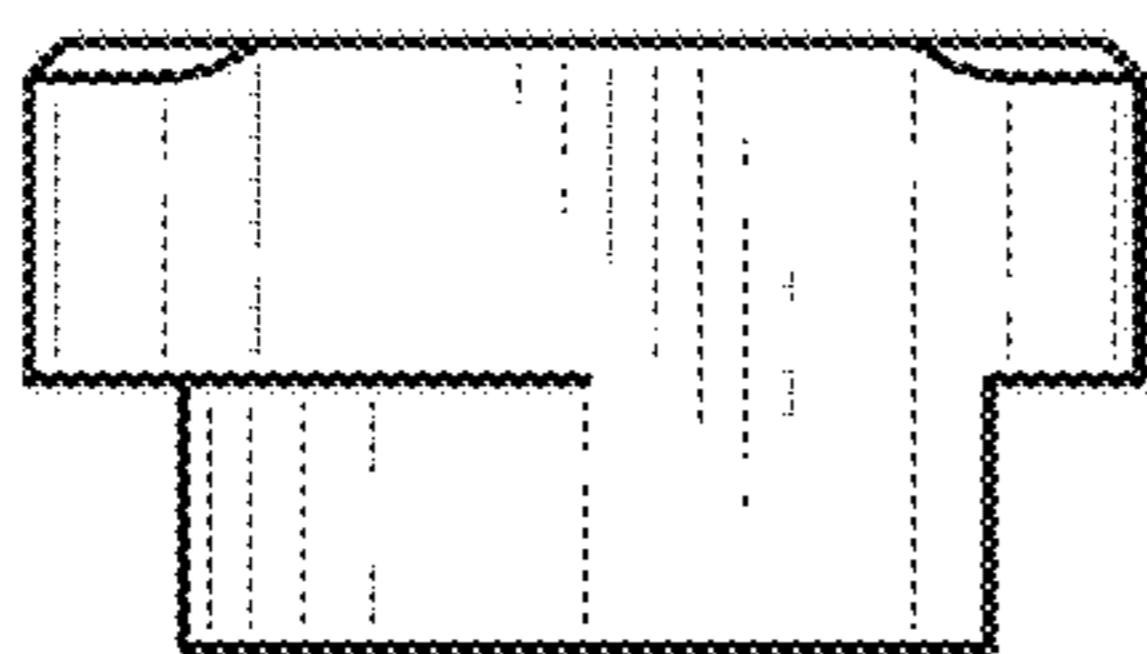


Figure 12



Figure 13

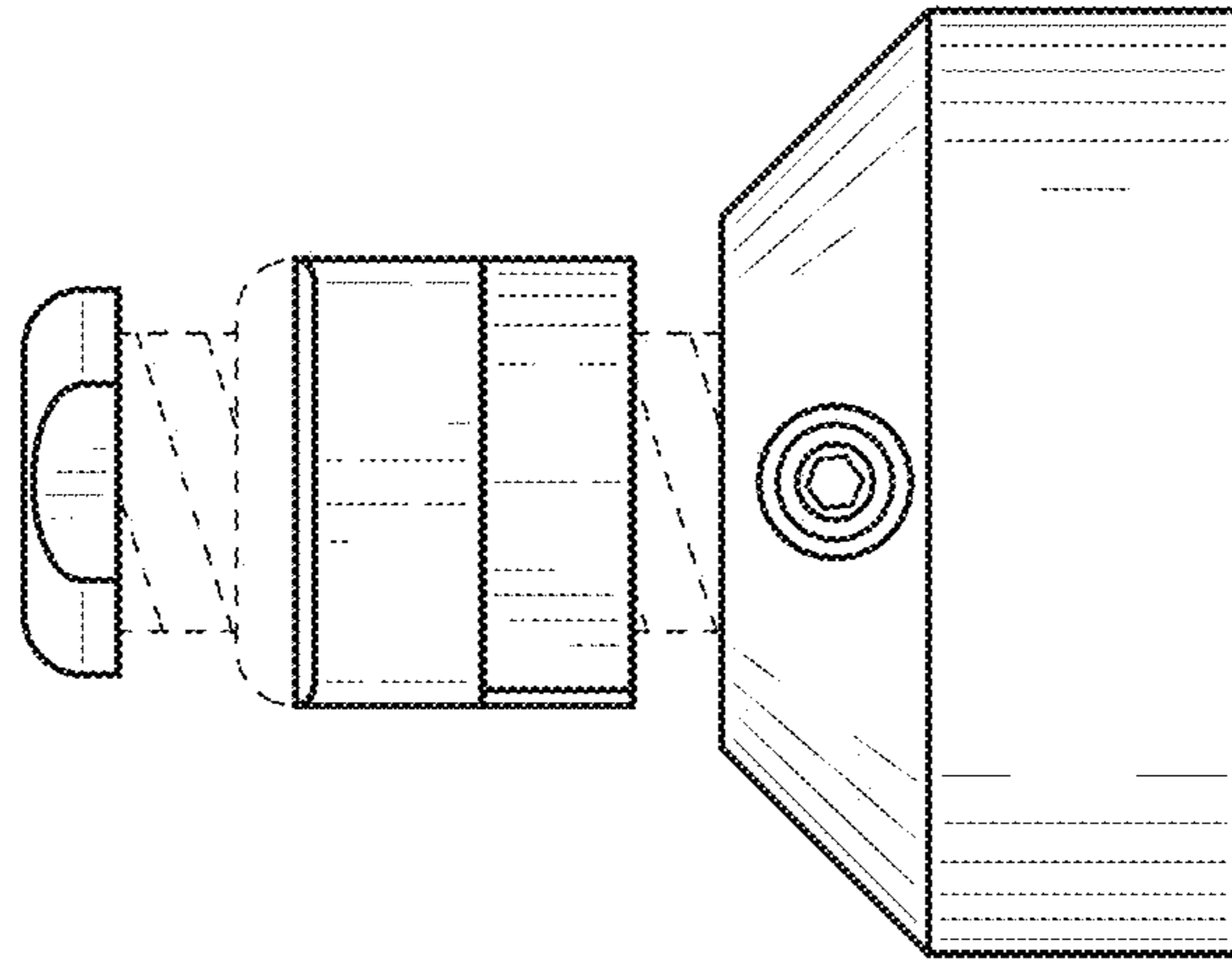


Figure 14

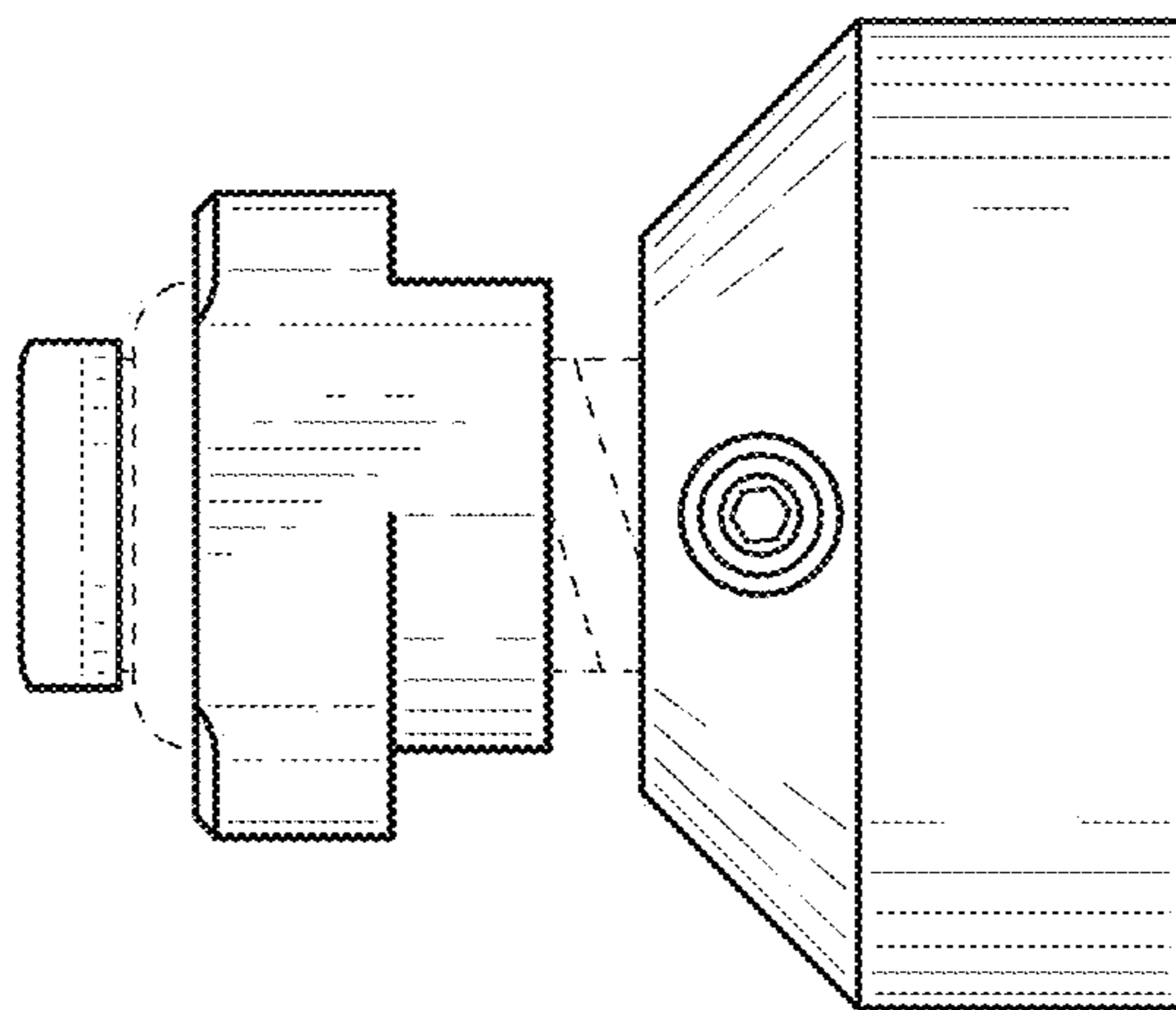


Figure 15

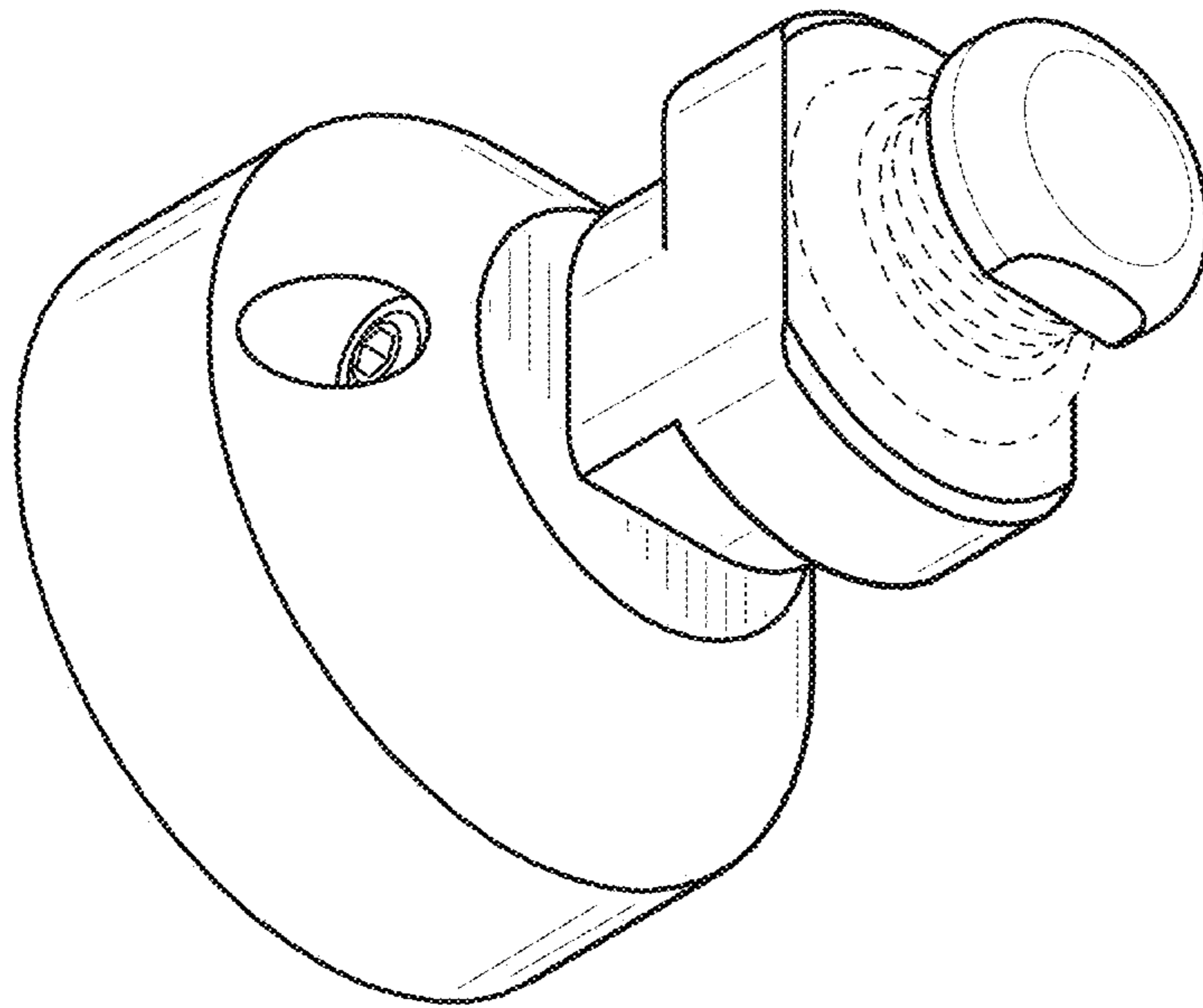


Figure 16