



US00D917272S

(12) **United States Design Patent**  
**Ripert**

(10) **Patent No.:** **US D917,272 S**  
(45) **Date of Patent:** **\*\* Apr. 27, 2021**

(54) **SLIDE**  
(71) Applicant: **LAFUMA MOBILIER SAS**, Anneyron (FR)  
(72) Inventor: **Shani Ripert**, Vénissieux (FR)  
(73) Assignee: **LAFUMA MOBILIER SAS**, Anneyron (FR)  
(\*\*) Term: **15 Years**  
(21) Appl. No.: **29/662,788**  
(22) Filed: **Sep. 7, 2018**

(30) **Foreign Application Priority Data**

Mar. 8, 2018 (EM) ..... 004746469

(51) **LOC (13) Cl.** ..... **08-08**

(52) **U.S. Cl.**  
USPC ..... **D8/396; D6/329**

(58) **Field of Classification Search**  
USPC ..... D8/394-396, 349-356, 373, 400, 21-26, D8/29, 499; D6/329  
CPC . H01R 11/11; F16L 23/036; F16L 3/13; F16L 3/1033; E04B 2/74  
See application file for complete search history.

(56) **References Cited**

**U.S. PATENT DOCUMENTS**

D376,974 S \* 12/1996 Chen ..... 24/274 WB  
D409,143 S \* 5/1999 Yoshiura ..... D13/133  
7,353,731 B2 \* 4/2008 Lin ..... B62K 21/12 74/551.7  
D569,801 S \* 5/2008 Chuang ..... D13/133

D580,262 S \* 11/2008 Eason ..... F16B 7/0493 D8/396  
D660,249 S \* 5/2012 Chen ..... D13/154  
8,282,430 B2 \* 10/2012 He ..... H01B 5/00 439/862  
D700,835 S \* 3/2014 Langlois ..... D8/396  
D731,299 S \* 6/2015 Sugiura ..... D8/396  
D753,025 S \* 4/2016 Chen ..... B62K 21/16 D12/118  
D775,519 S \* 1/2017 May ..... D8/396  
D832,694 S \* 11/2018 May ..... D8/396  
D902,024 S \* 11/2020 Krout ..... D8/395  
D903,536 S \* 12/2020 Haag ..... D12/114  
2001/0049236 A1 \* 12/2001 Bechaz ..... H01R 4/4845 439/834

\* cited by examiner

*Primary Examiner* — John Windmuller  
(74) *Attorney, Agent, or Firm* — Cantor Colburn LLP

(57) **CLAIM**

I claim, the ornamental design for a slide, as shown and described.

**DESCRIPTION**

FIG. 1 is a perspective view of a slide, showing my new design;  
FIG. 2 is a front elevation view thereof;  
FIG. 3 is a rear elevation view thereof;  
FIG. 4 is a side elevation view thereof taken from the left of FIG. 2;  
FIG. 5 is a side elevation view thereof taken from the right of FIG. 2;  
FIG. 6 is a top plan view thereof; and,  
FIG. 7 is a bottom plan view thereof.

**1 Claim, 7 Drawing Sheets**

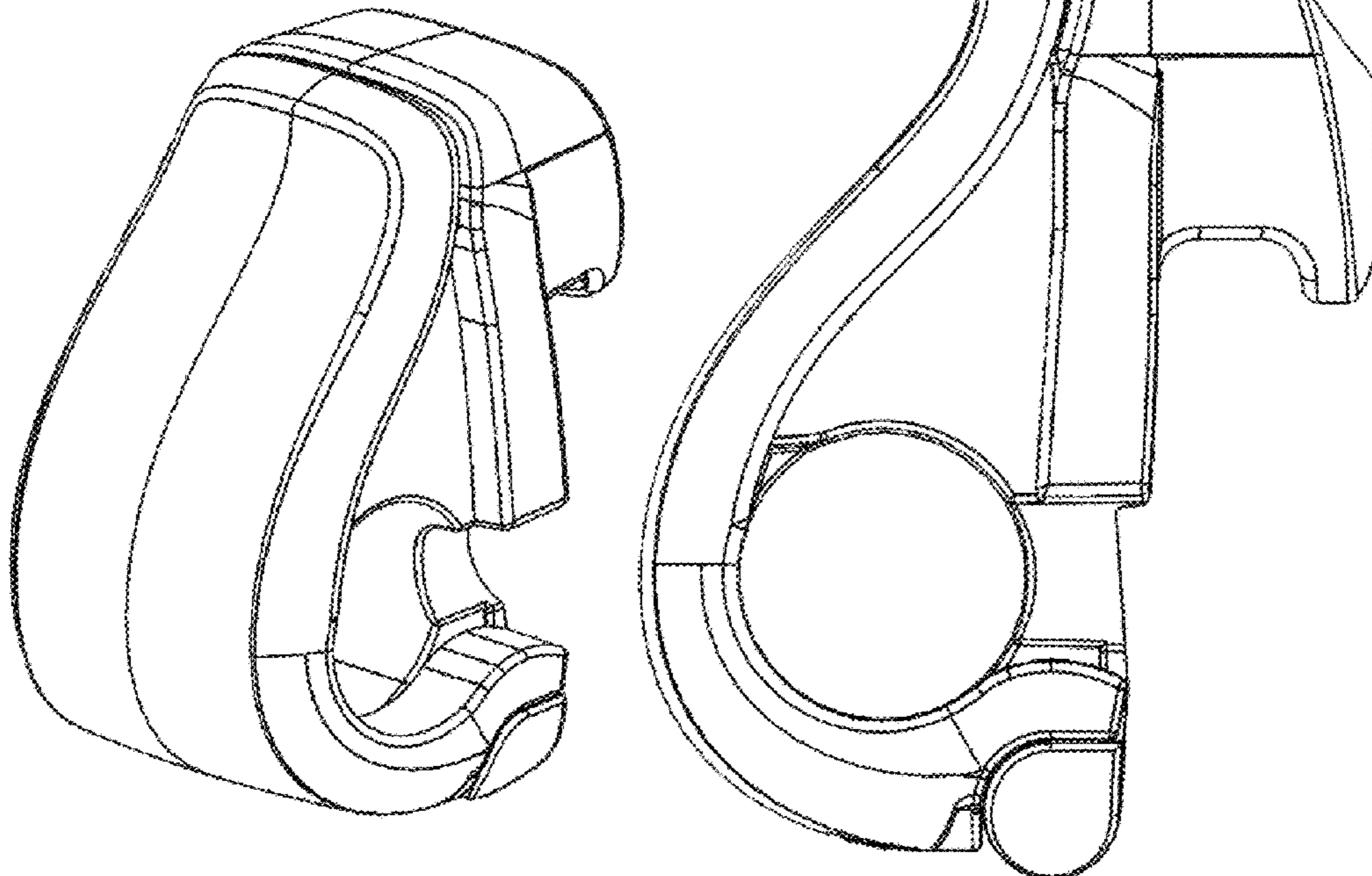


FIG. 1

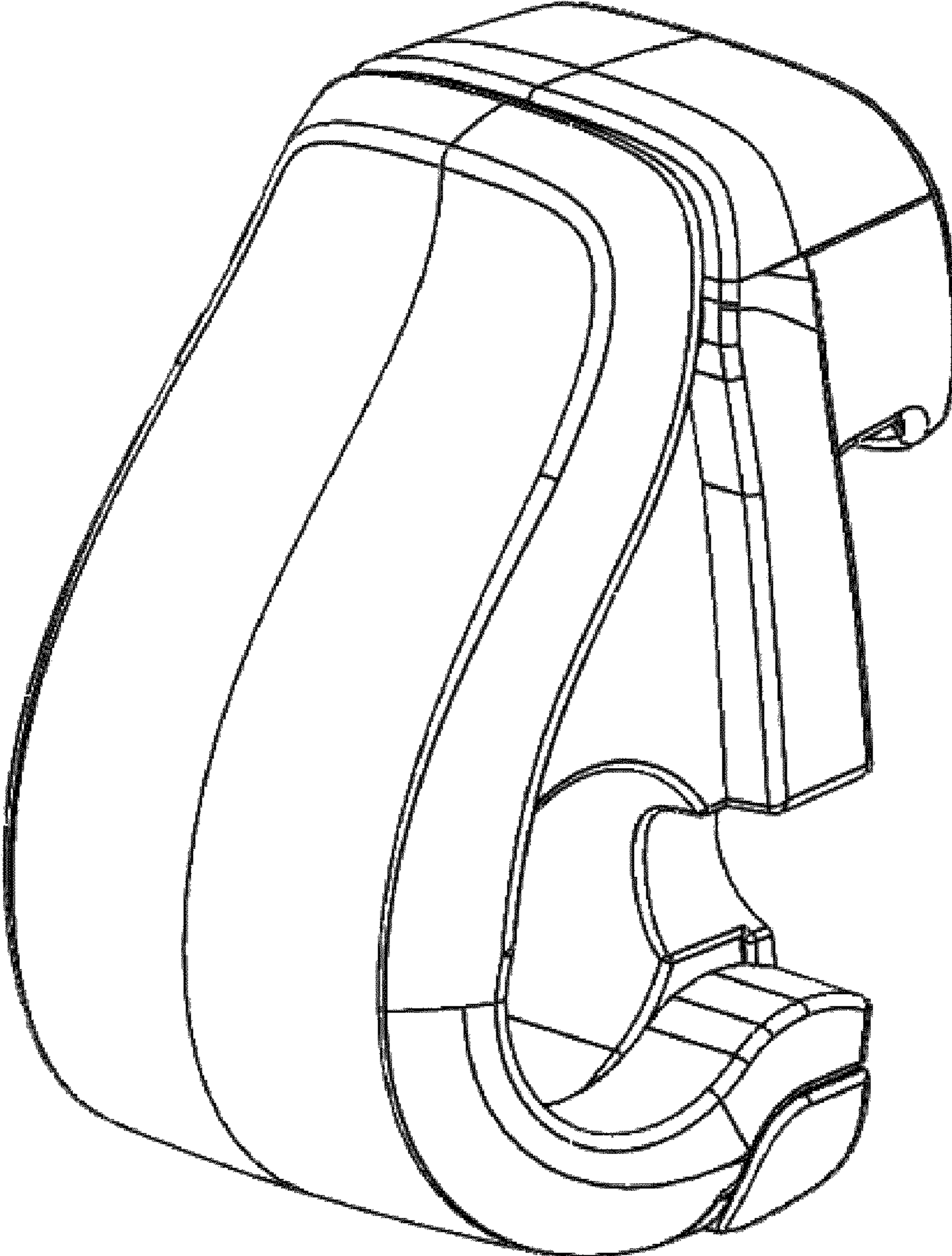


FIG. 2

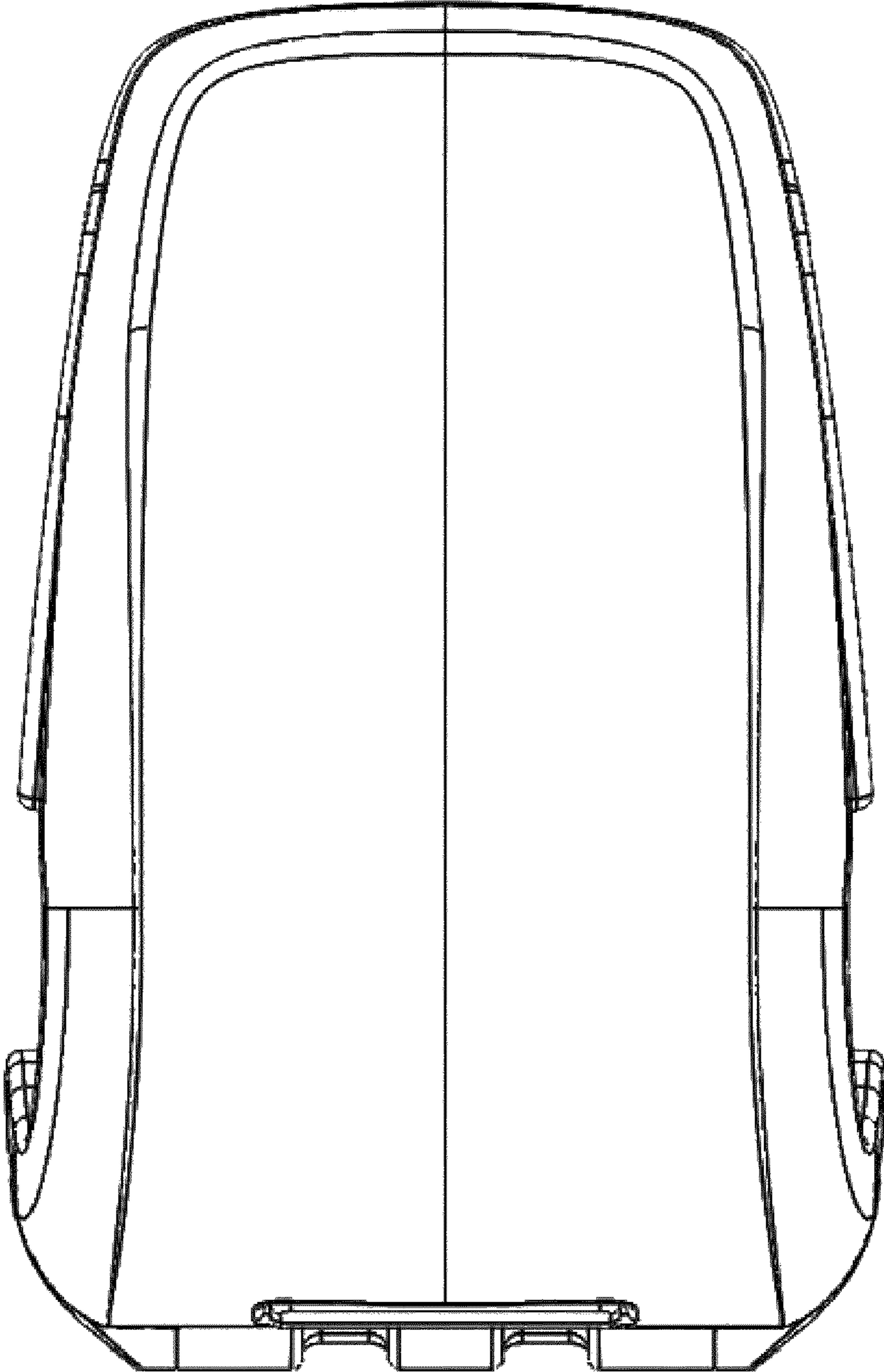


FIG. 3

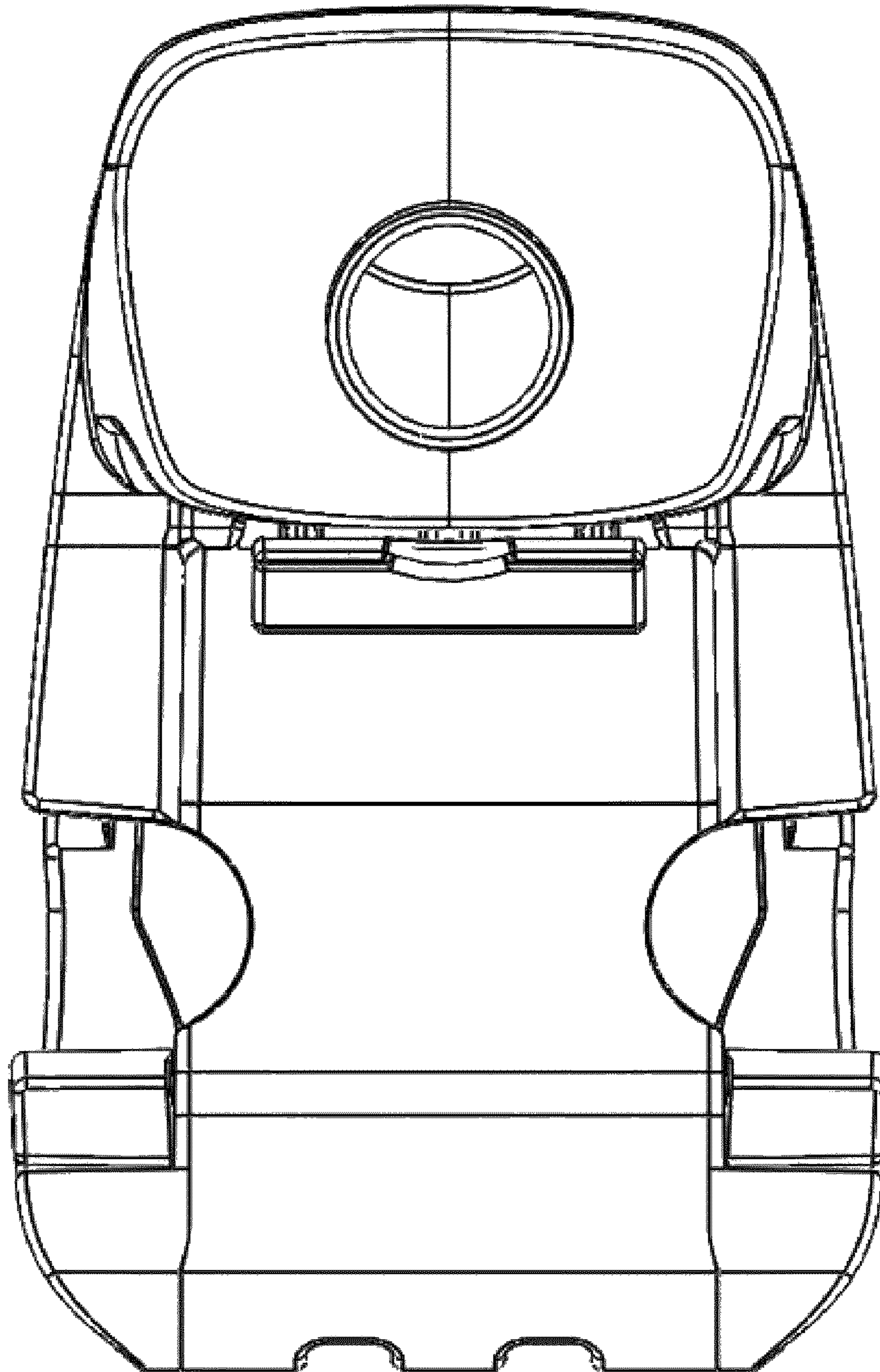


FIG. 4

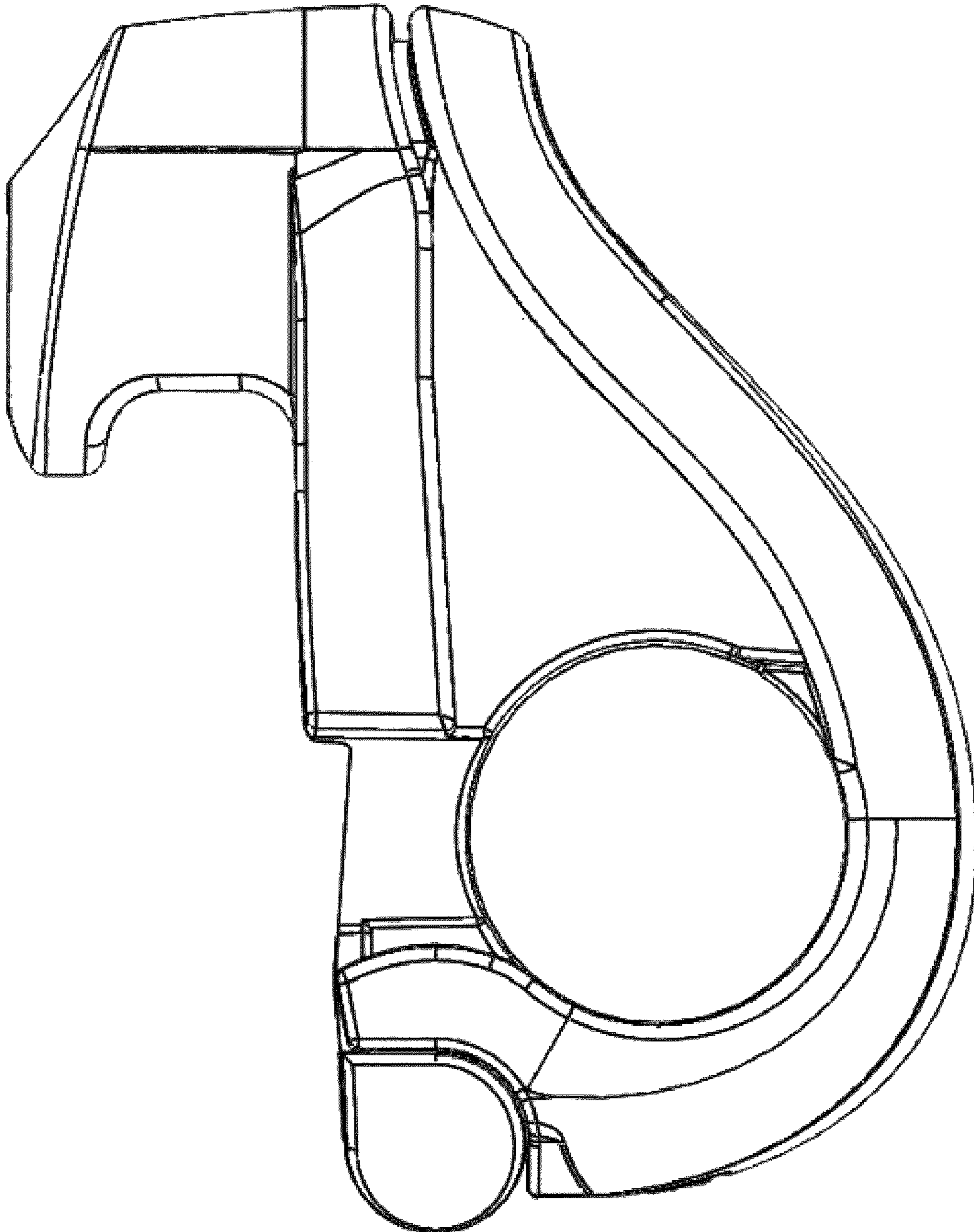


FIG. 5

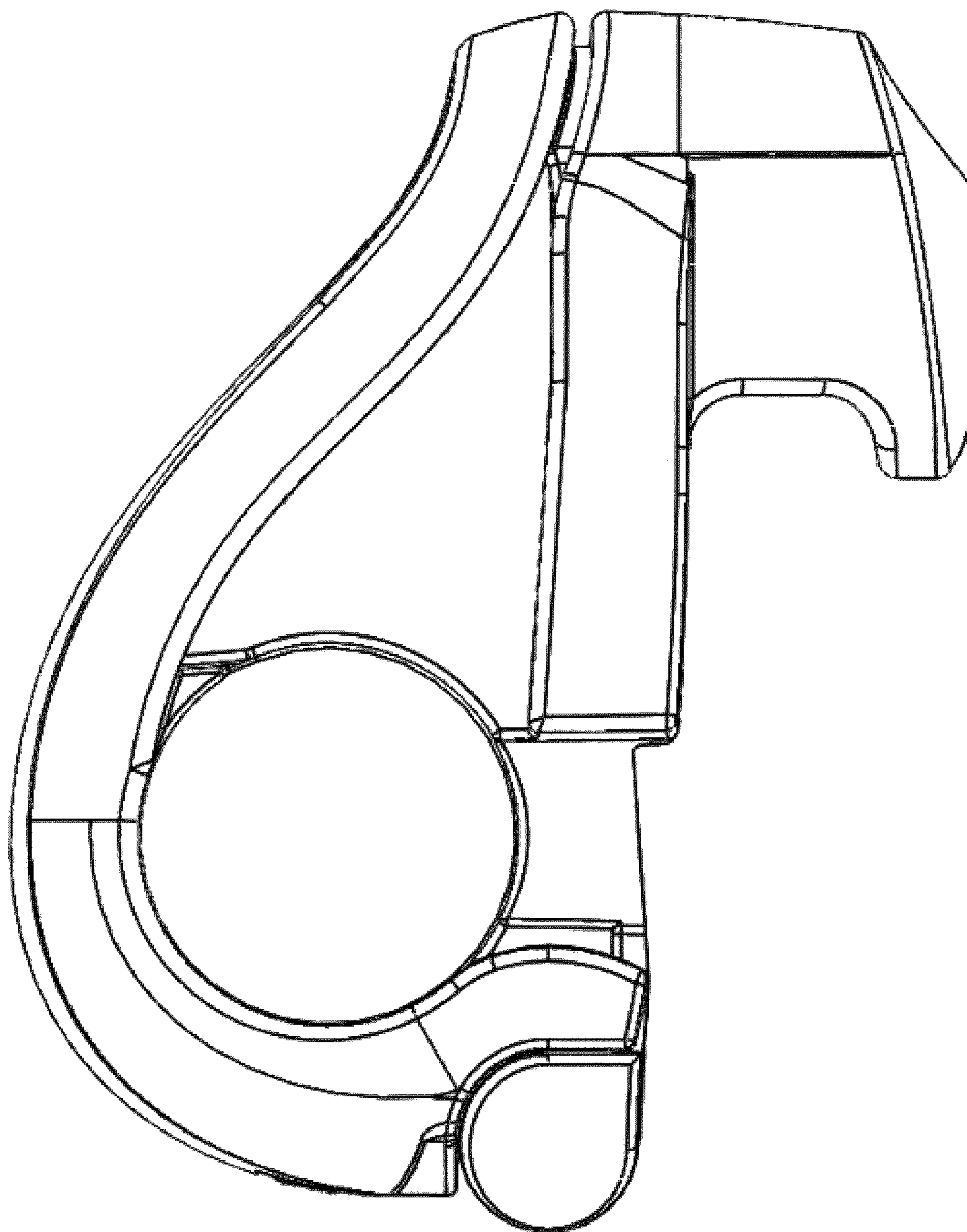


FIG. 6

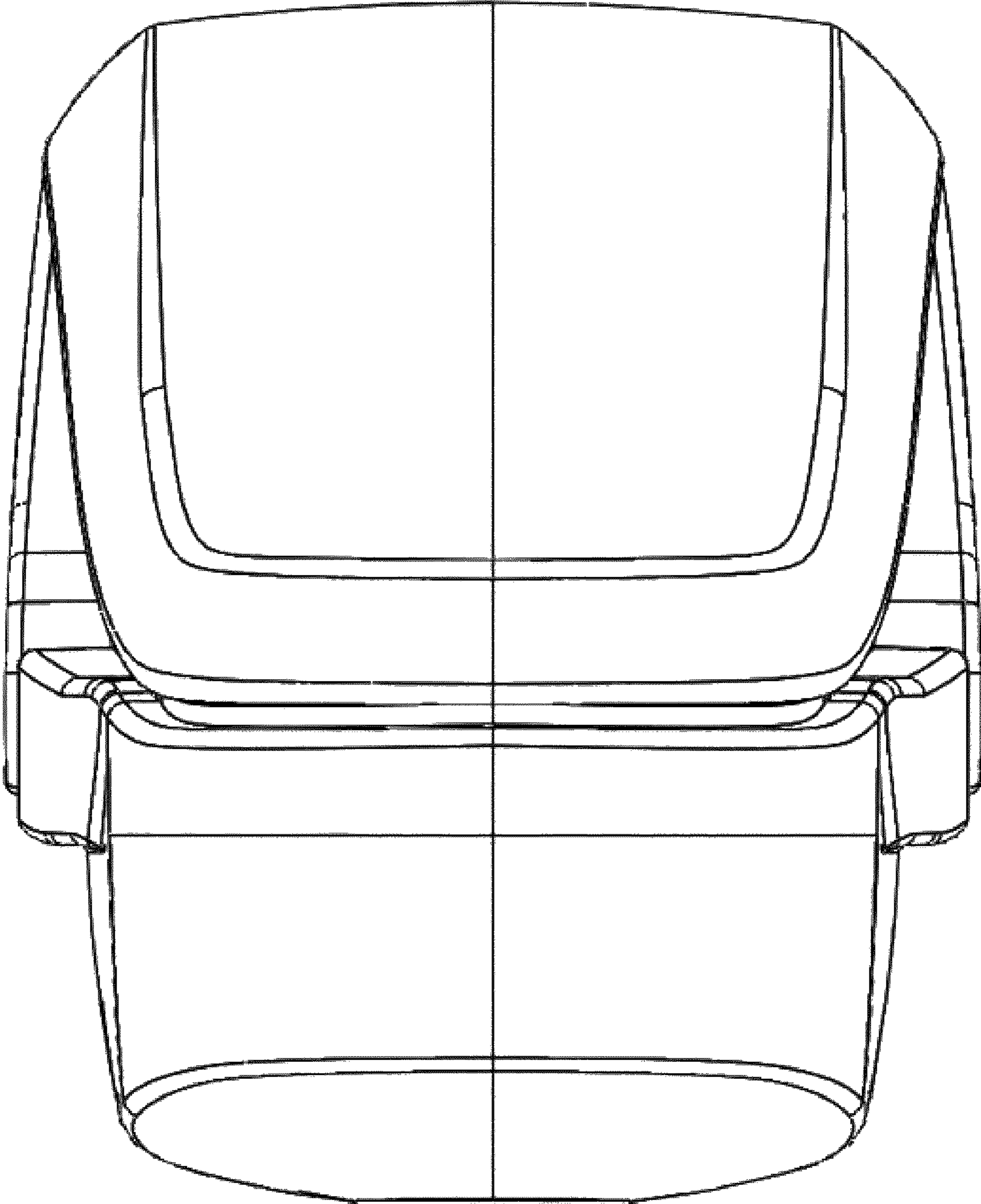


FIG. 7

