



US00D917271S

(12) **United States Design Patent** (10) **Patent No.:** **US D917,271 S**  
**Lee** (45) **Date of Patent:** **\*\* Apr. 27, 2021**

(54) **QUICK CLIP FIXTURE FOR DECK INSTALLATION**

(71) Applicant: **Kyeong Jun Lee**, Incheon (KR)

(72) Inventor: **Kyeong Jun Lee**, Incheon (KR)

(\*\*) Term: **15 Years**

(21) Appl. No.: **29/702,003**

(22) Filed: **Aug. 15, 2019**

(30) **Foreign Application Priority Data**

Aug. 8, 2019 (KR) ..... 30-2019-0037935

(51) **LOC (13) Cl.** ..... **08-08**

(52) **U.S. Cl.**  
USPC ..... **D8/382**

(58) **Field of Classification Search**  
USPC ..... D8/71, 349, 354, 363, 373, 374, 380,  
D8/381, 382  
CPC ..... E04F 15/225; E04F 15/02038; E04F  
15/02011; E04F 15/00; E04F 15/02044;  
E04F 15/02133; E04F 15/02138; E04F  
15/04; E04F 2201/05; E04F 2201/0517;  
E04F 2201/0523; E04F 2201/08; E04F  
21/0092; E04F 2201/042; E04F  
2015/0205; E04B 1/003; E04B 5/12;  
E01C 11/24

See application file for complete search history.

(56) **References Cited**

**U.S. PATENT DOCUMENTS**

- 2,569,021 A \* 9/1951 Rozanski ..... A47F 5/0884  
211/120
- D294,667 S \* 3/1988 Handler ..... D6/569
- D317,112 S \* 5/1991 Newuirth ..... D8/356
- 5,038,941 A \* 8/1991 Bastiaansen ..... A47F 7/06  
211/32
- D377,123 S \* 1/1997 Hutchens ..... D6/323
- D379,060 S \* 5/1997 Laga ..... D8/373

- 6,619,000 B1 \* 9/2003 Chiu-Ying ..... E04F 15/04  
269/291
- D486,678 S \* 2/2004 Hightower ..... D8/349
- D548,054 S \* 8/2007 Erickson ..... D8/354
- D560,474 S \* 1/2008 Thru ..... D8/382
- D702,832 S \* 4/2014 Hadley ..... D24/128
- D730,759 S \* 6/2015 Federspiel ..... D10/64
- D732,928 S \* 6/2015 Recker ..... D8/354
- D766,465 S \* 9/2016 Honda ..... D25/119
- D799,306 S \* 10/2017 Lee ..... D8/354
- D844,422 S \* 4/2019 Mo ..... D8/382
- 2015/0075111 A1 \* 3/2015 Claudin ..... E04B 5/02  
52/708

(Continued)

*Primary Examiner* — Sandra Snapp

*Assistant Examiner* — Ieisha N Price

(74) *Attorney, Agent, or Firm* — Revolution IP, PLLC

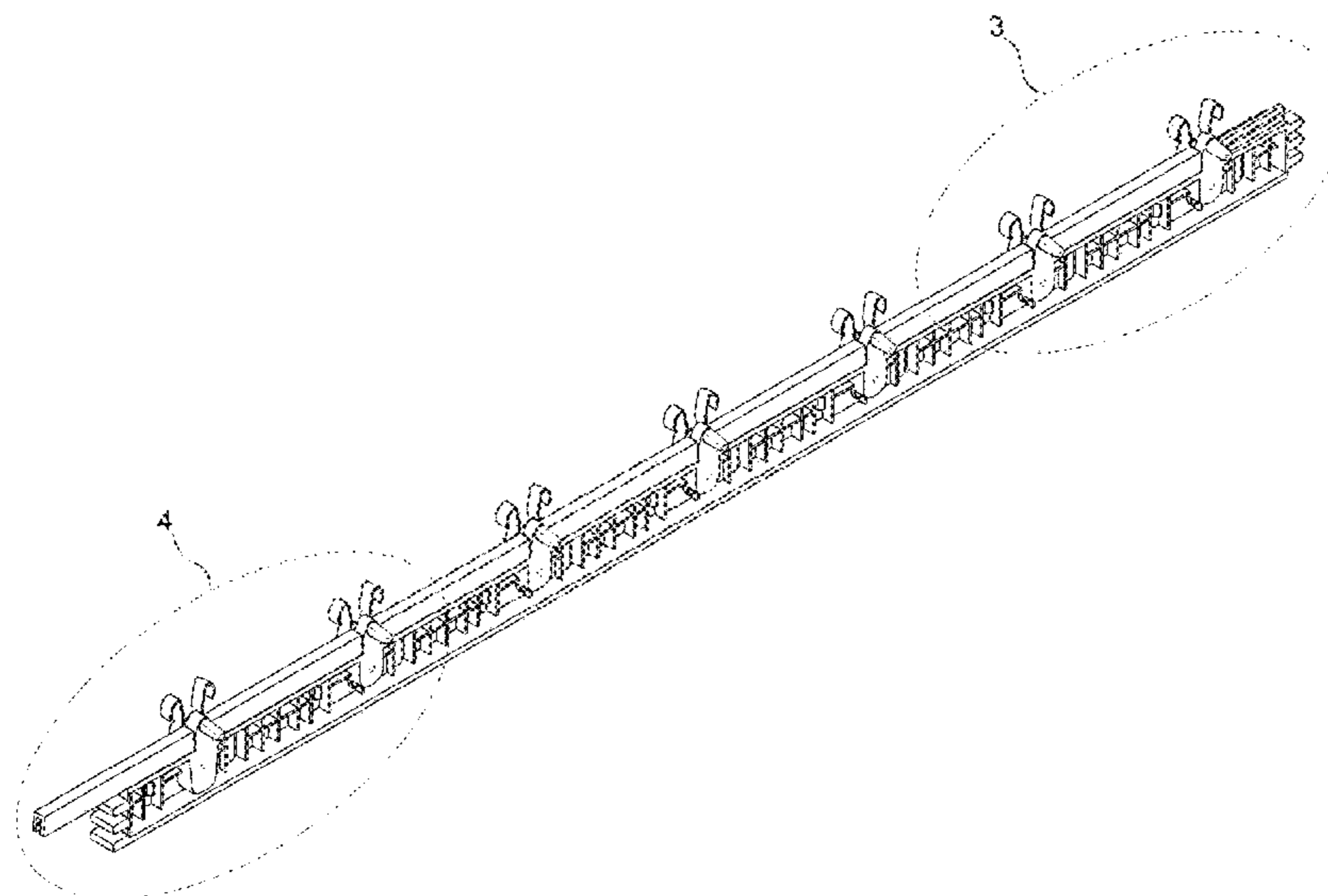
(57) **CLAIM**

The ornamental design for a quick clip fixture for deck installation, as shown and described.

**DESCRIPTION**

FIG. 1 is a front perspective view of a quick clip fixture for deck installation showing the claimed design;  
 FIG. 2 is a rear perspective view thereof;  
 FIG. 3 is an enlarged view, taken from the section labeled “3”, as shown in FIG. 1;  
 FIG. 4 is an enlarged view, taken from the section labeled “4”, as shown in FIG. 1;  
 FIG. 5 is an enlarged view, taken from the section labeled “5”, as shown in FIG. 2; and,  
 FIG. 6 is an enlarged view, taken from the section labeled “6”, as shown in FIG. 2.  
 The dot-dash broken lines shown in FIGS. 1 through 6 depict boundaries of enlarged views and form no part of the claimed design.  
 The broken lines shown in FIGS. 1 through 6 are for the purpose of illustrating portions of the quick clip fixture for deck installation and form no part of the claimed design.

**1 Claim, 6 Drawing Sheets**



(56)

**References Cited**

U.S. PATENT DOCUMENTS

2018/0238060 A1\* 8/2018 Doupe ..... E04F 15/105  
2019/0136546 A1\* 5/2019 Doupe ..... E04F 15/02022  
2019/0249376 A1\* 8/2019 Lee ..... E04F 15/02044

\* cited by examiner

FIG. 1

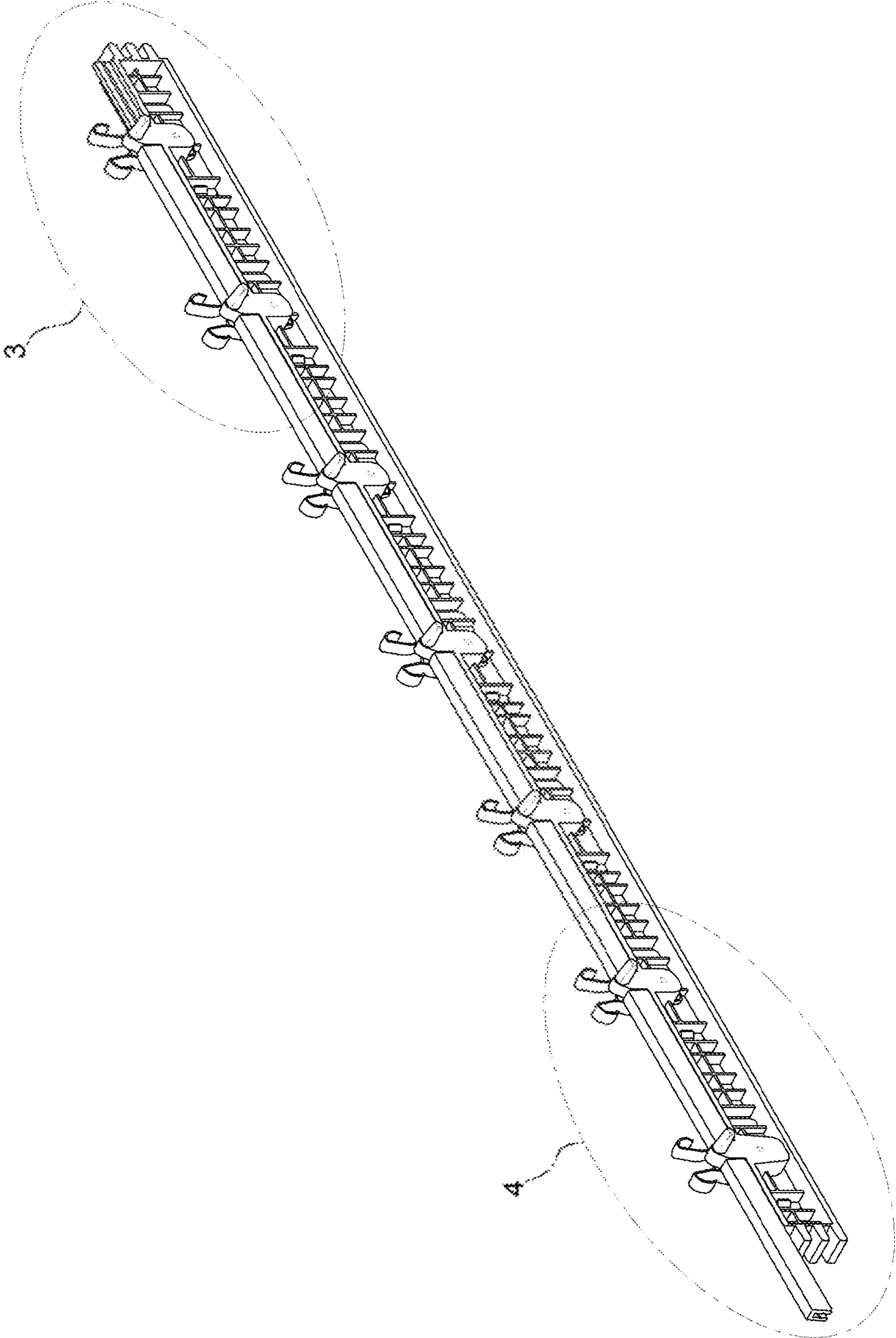


FIG. 2

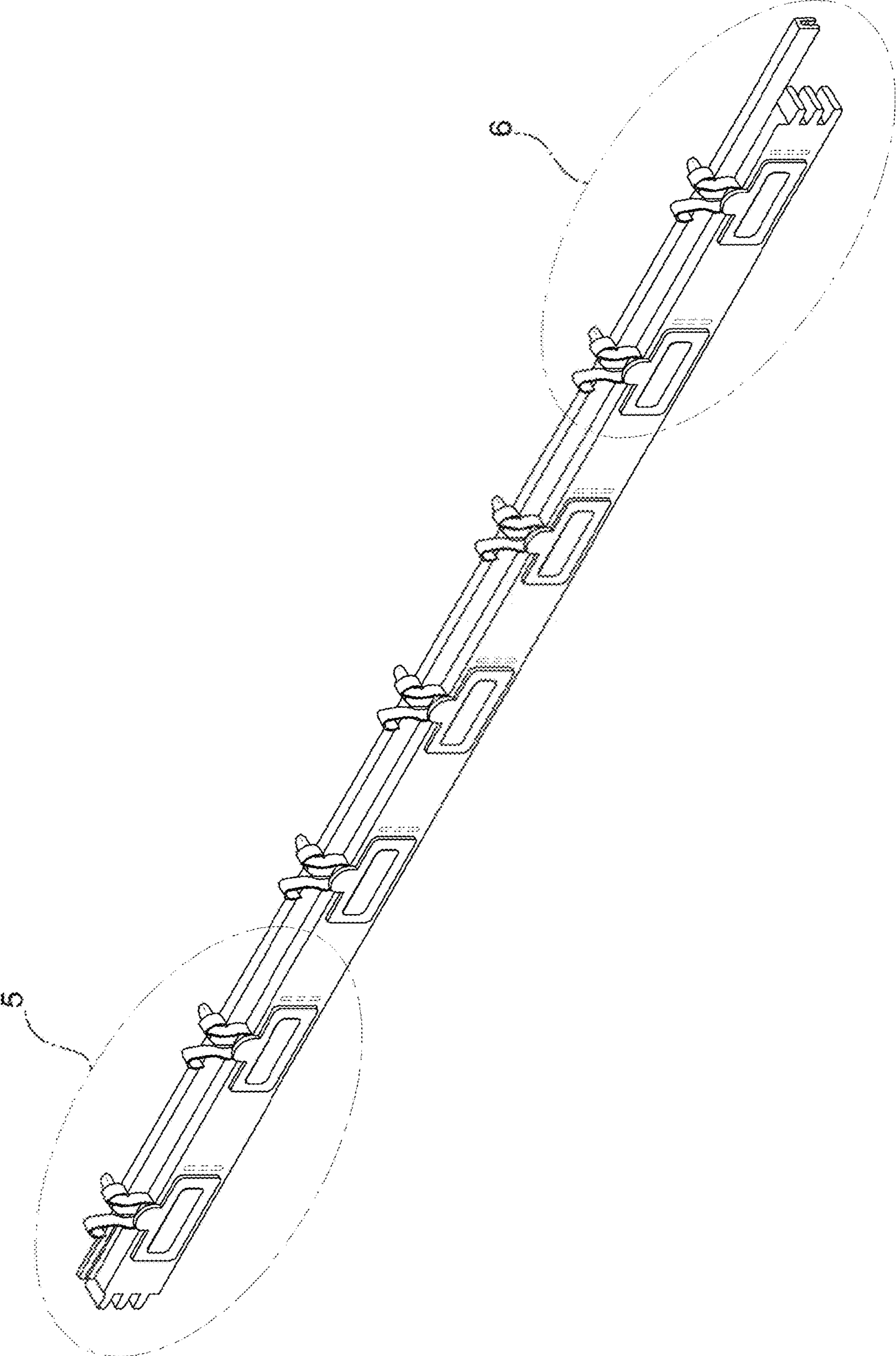


FIG. 3

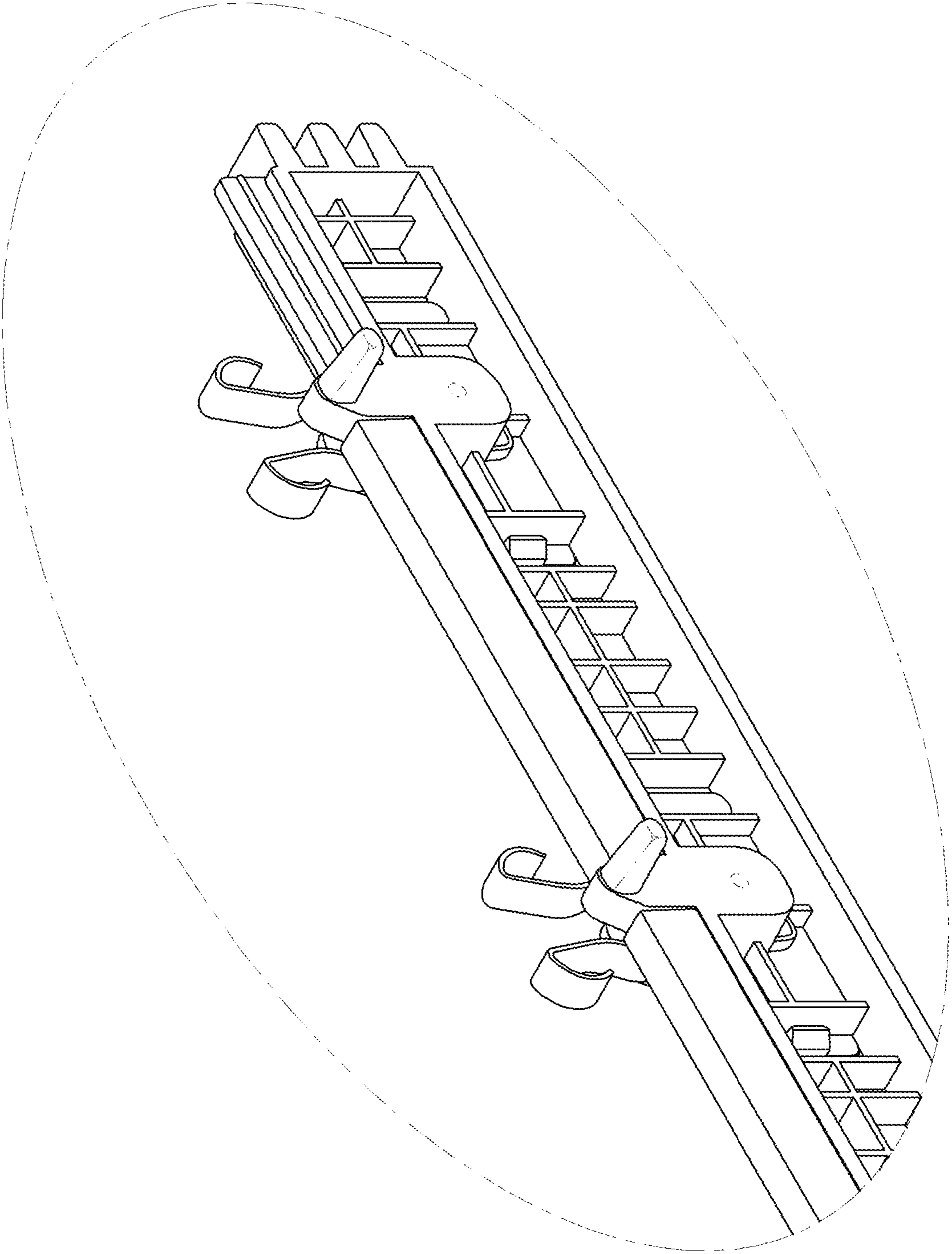


FIG. 4

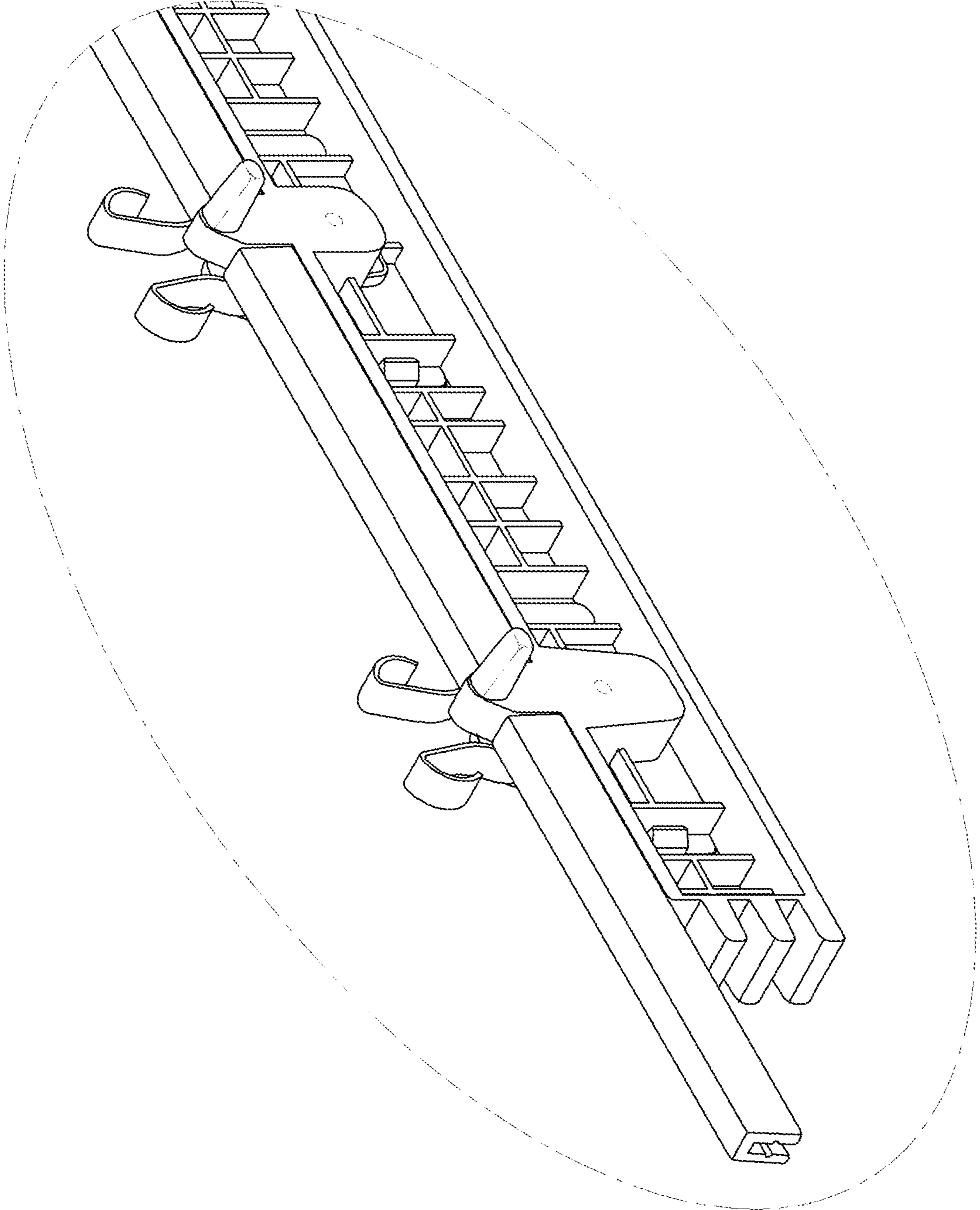


FIG. 5

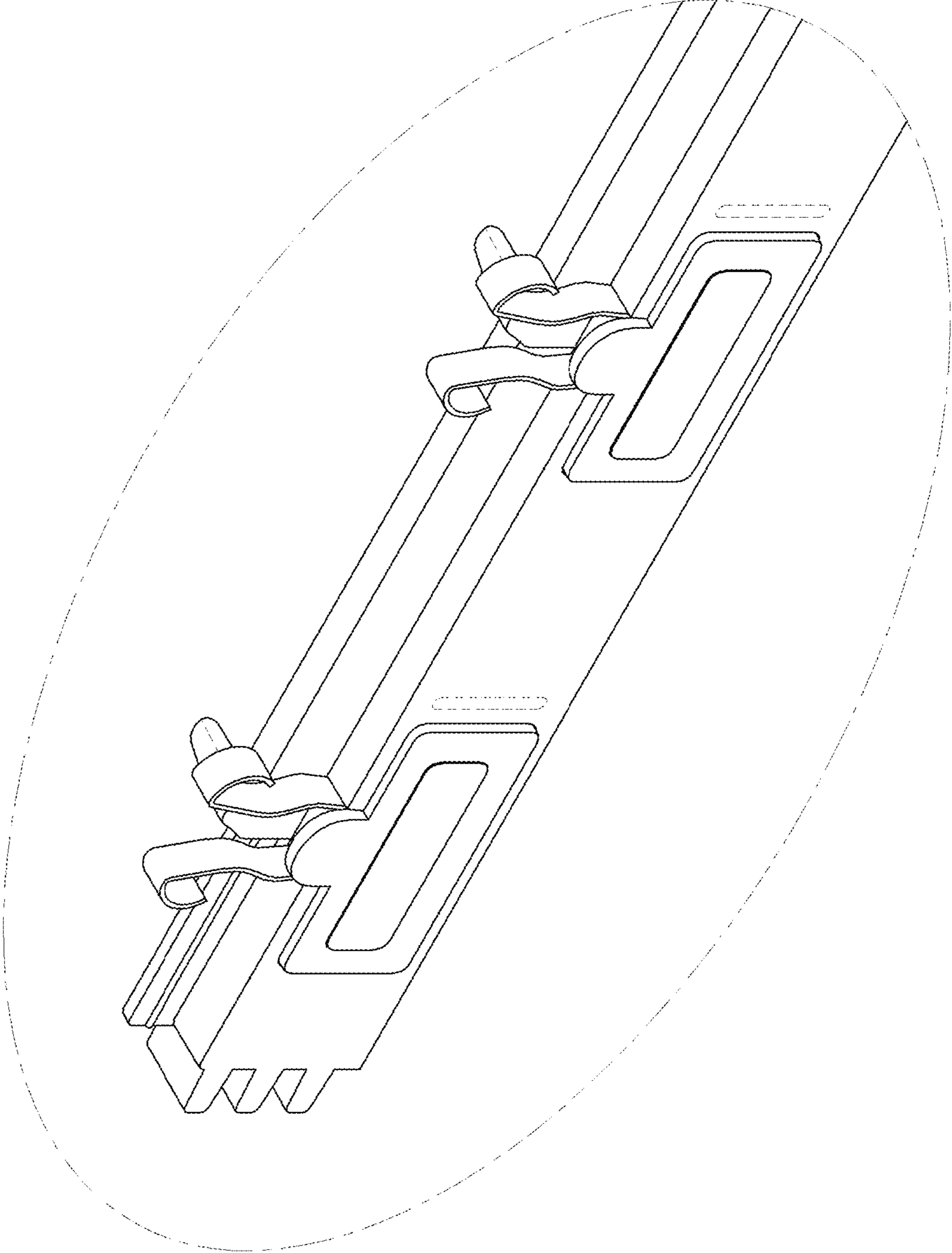


FIG. 6

