



US00D917269S

(12) **United States Design Patent** (10) **Patent No.:** **US D917,269 S**
Apkarian et al. (45) **Date of Patent:** **** Apr. 27, 2021**

- (54) **COUPLING ADAPTER FOR A LIGHT BAR**
- (71) Applicants: **Christopher Apkarian**, Hooksett, NH (US); **Nicholas Fowler**, Deering, NH (US)
- (72) Inventors: **Christopher Apkarian**, Hooksett, NH (US); **Nicholas Fowler**, Deering, NH (US)
- (73) Assignee: **OSRAM SYLVANIA Inc.**, Wilmington, MA (US)
- (**) Term: **15 Years**
- (21) Appl. No.: **29/700,347**
- (22) Filed: **Aug. 1, 2019**
- (51) **LOC (13) Cl.** **08-08**
- (52) **U.S. Cl.**
USPC **D8/382**
- (58) **Field of Classification Search**
USPC D8/349, 354, 382, 394; D10/103, 121, D10/114.3, 114.4, 114.5, 114.7
CPC F21W 2102/00; F21W 2107/10; F21Y 2103/00; F21Y 2115/10; F21V 21/005; B60Q 1/18; B62D 65/16
See application file for complete search history.

- D522,348 S * 6/2006 Hansen D8/354
- D531,890 S * 11/2006 Bentrin D8/382
- D548,571 S * 8/2007 Bigelow D8/349
- D687,698 S * 8/2013 Machijima D8/354
- D702,532 S * 4/2014 Garrido D8/354
- D727,719 S * 4/2015 Ribeiro D8/382
- D787,970 S * 5/2017 Goltche D10/114.4
- D831,463 S * 10/2018 Granberg D8/349
- D847,607 S * 5/2019 Granberg D8/349
- 10,502,398 B2 * 12/2019 Toft F21V 21/00
- D880,982 S * 4/2020 Morehead D8/349
- D886,570 S * 6/2020 Twitchell D8/356
- D891,227 S * 7/2020 Lovgren D8/349
- 2014/0313721 A1 * 10/2014 Morgan F21S 4/20
362/249.03
- 2017/0051905 A1 * 2/2017 Luu F21V 21/005
(Continued)

Primary Examiner — Holly E Thurman
Assistant Examiner — Ieisha N Price
 (74) *Attorney, Agent, or Firm* — Edward S. Podszus

(57) **CLAIM**

The ornamental design for a coupling adapter for a light bar, as shown and described.

DESCRIPTION

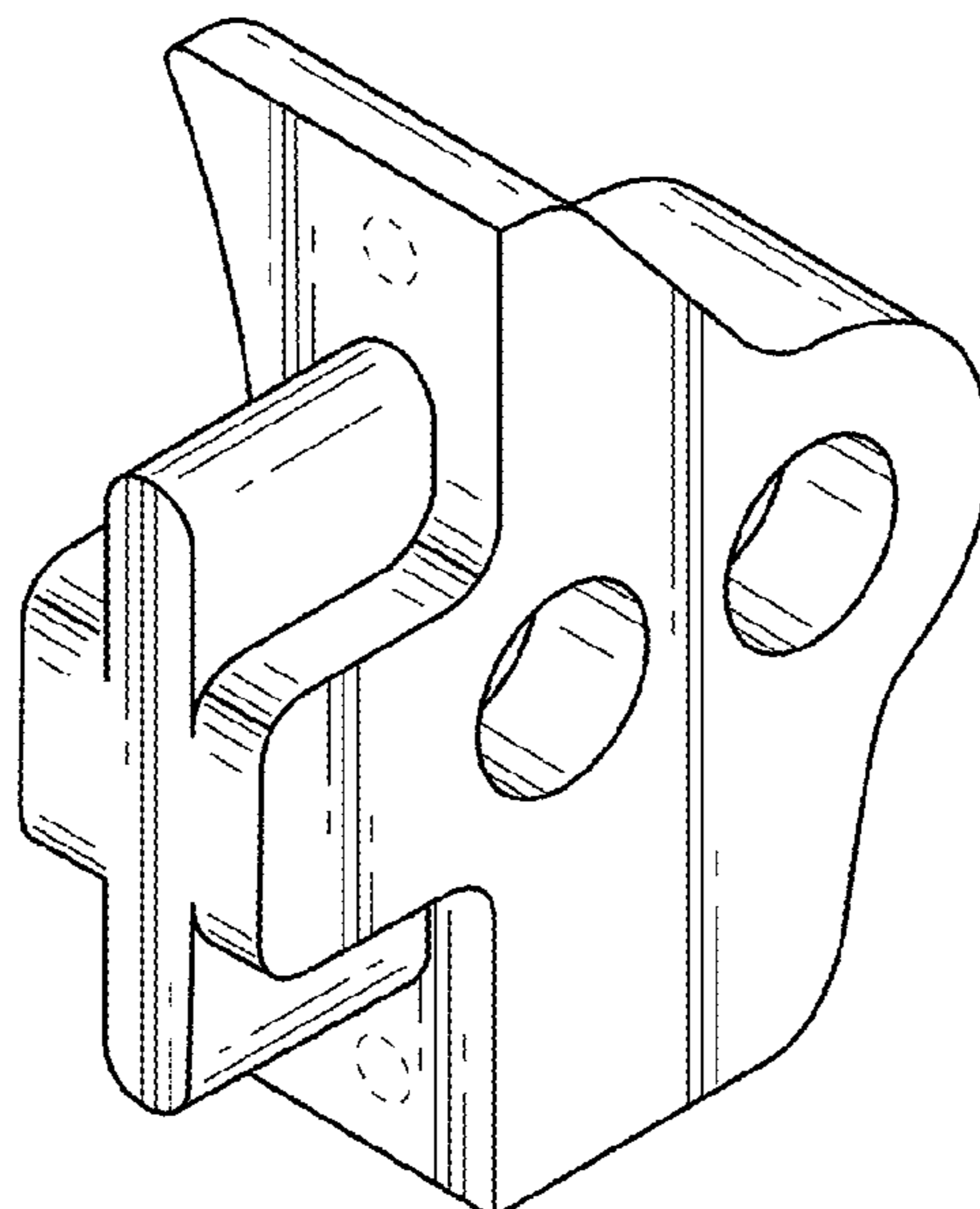
FIG. 1 is a perspective view of the new design for a coupling adapter for a light bar as seen from the top, rear, right side; FIG. 2 is a perspective view thereof, as seen from the top, front, left side; FIG. 3 is a rear elevational view thereof; FIG. 4 is a left side elevational view thereof; FIG. 5 is a right side elevational view thereof; FIG. 6 is a front elevational view thereof; FIG. 7 is a bottom plan view thereof; and, FIG. 8 is a top plan view thereof.
 The broken lines in the drawings illustrate portions of the coupling adapter for a light bar and form no part of the claimed design.

1 Claim, 4 Drawing Sheets

(56) **References Cited**

U.S. PATENT DOCUMENTS

- D308,116 S * 5/1990 Vandergrift D26/149
- D329,821 S * 9/1992 Wyatt D10/103
- D371,504 S * 7/1996 Massie D8/349
- D371,861 S * 7/1996 Stamm D26/140
- D386,364 S * 11/1997 Rimback D8/1
- D386,365 S * 11/1997 Rimback D8/1
- D386,366 S * 11/1997 Rimback D8/1
- D386,367 S * 11/1997 Rimback D8/1
- D386,368 S * 11/1997 Rimback D8/1
- D389,050 S * 1/1998 Li D8/395



(56)

References Cited

U.S. PATENT DOCUMENTS

2018/0112842 A1* 4/2018 Butler F21V 21/005
2018/0180265 A1* 6/2018 SanFacon F21S 2/005
2020/0141545 A1* 5/2020 Gielen F21V 21/008

* cited by examiner

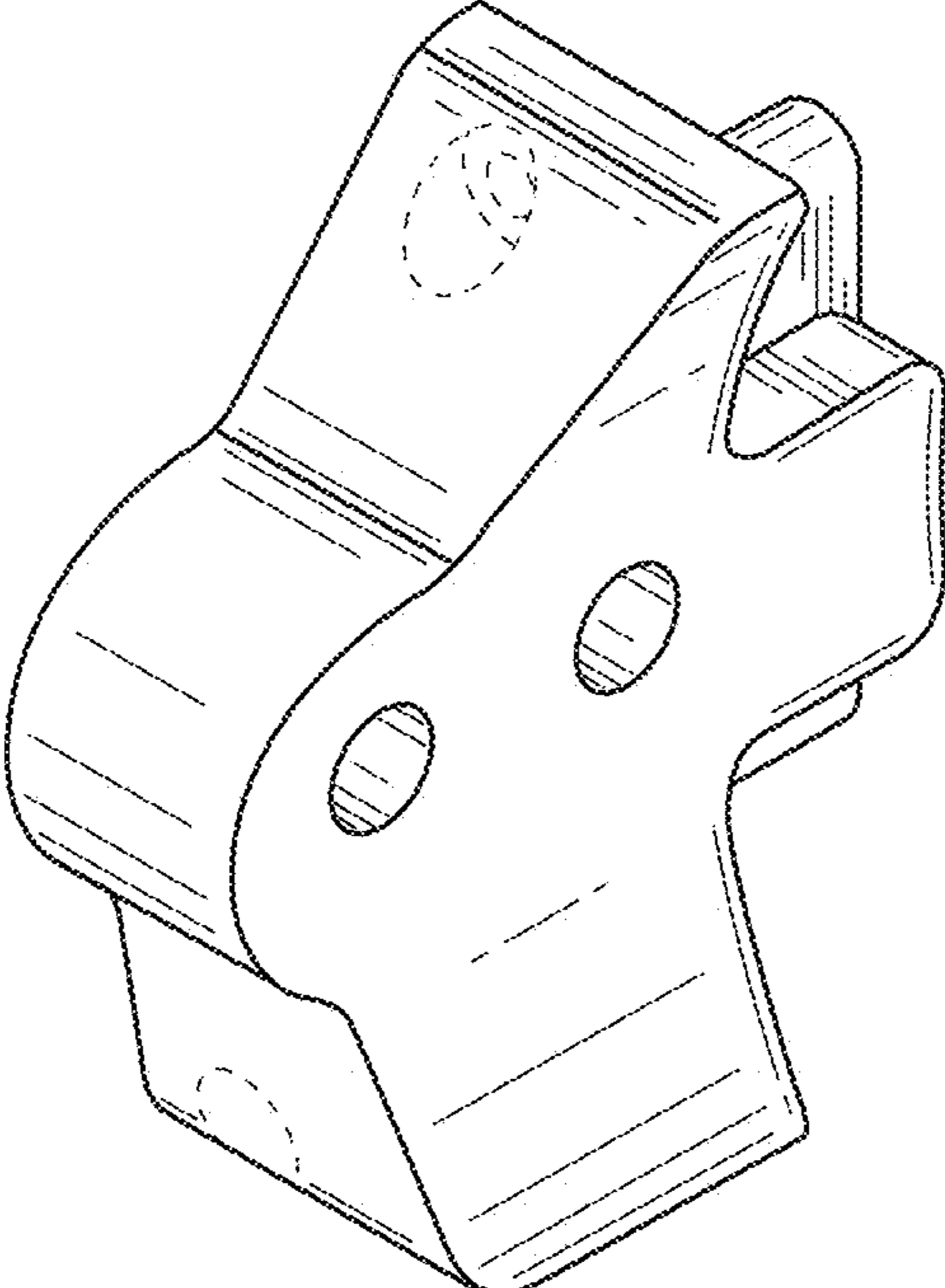


FIG. 1

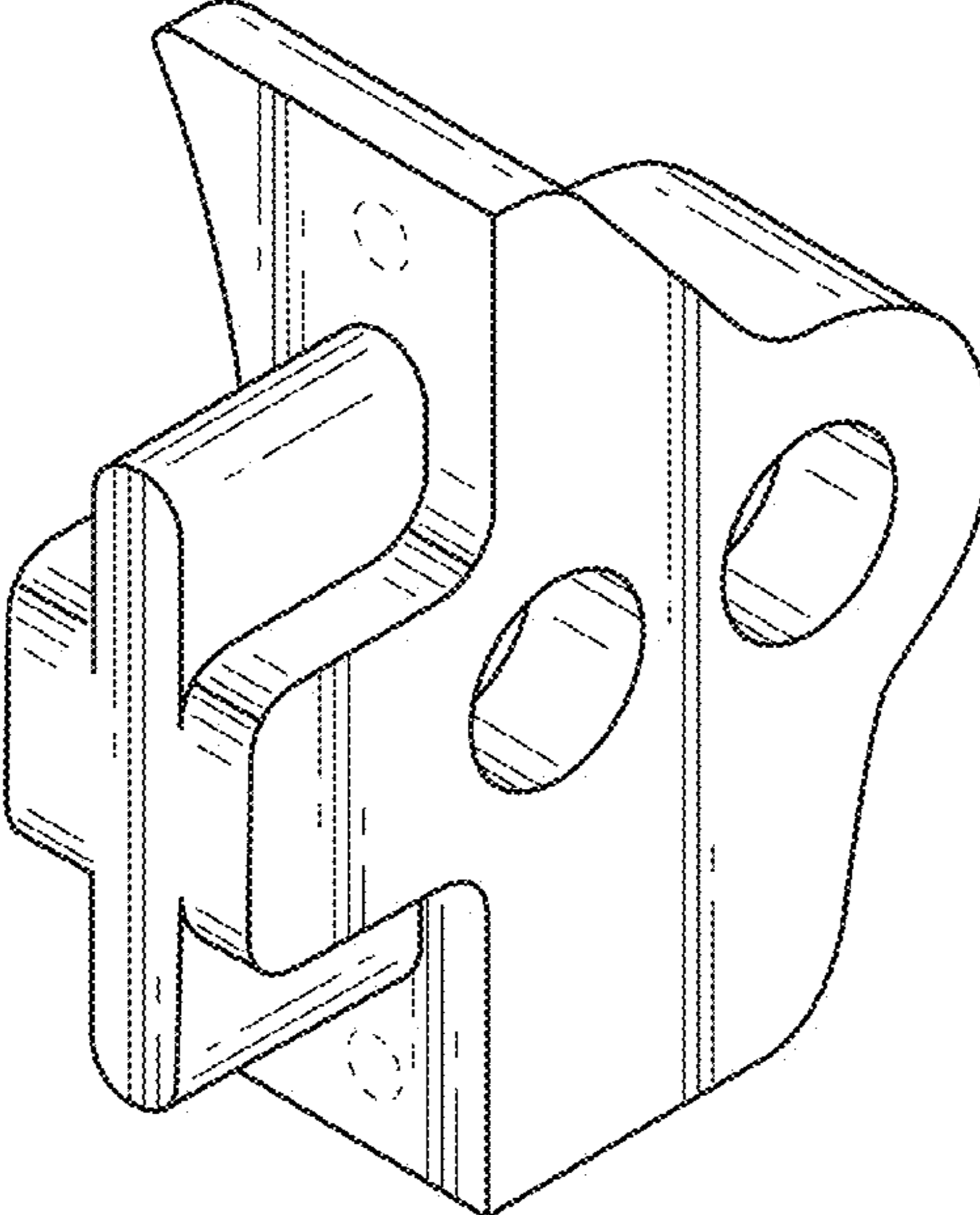


FIG. 2

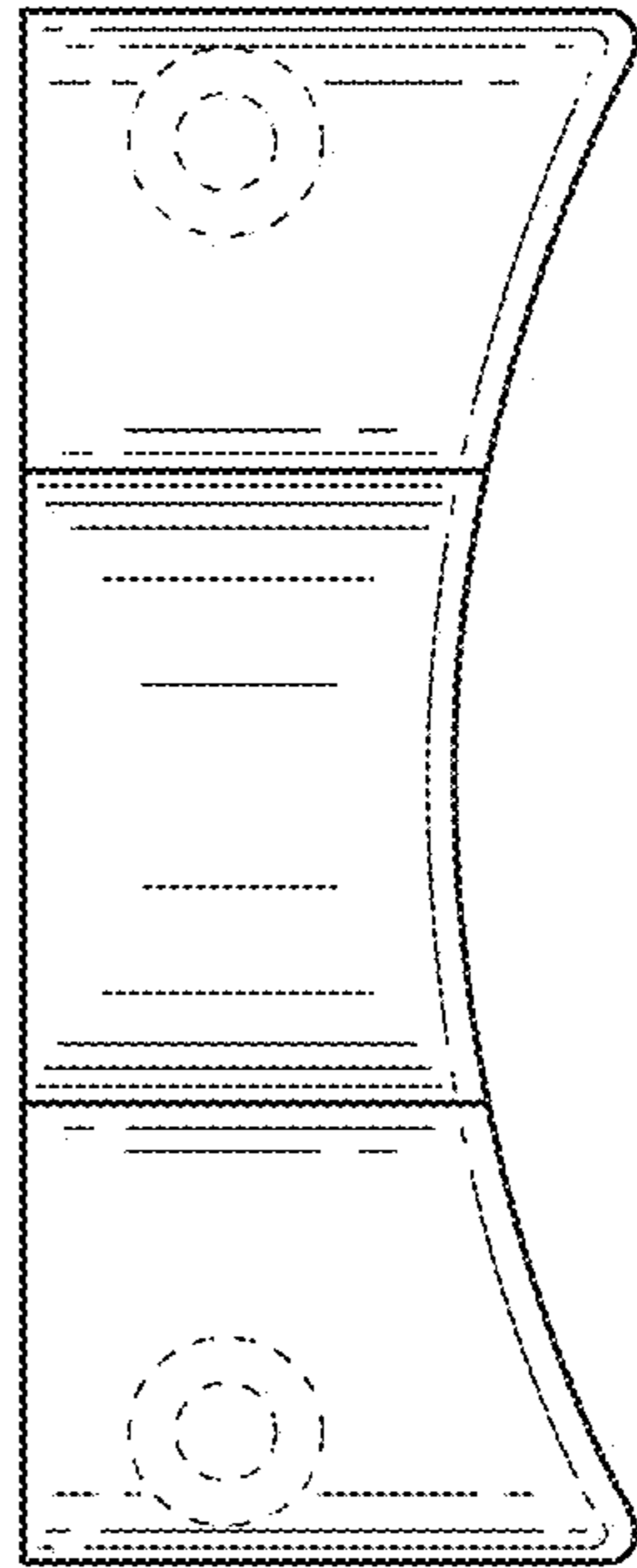


FIG. 3

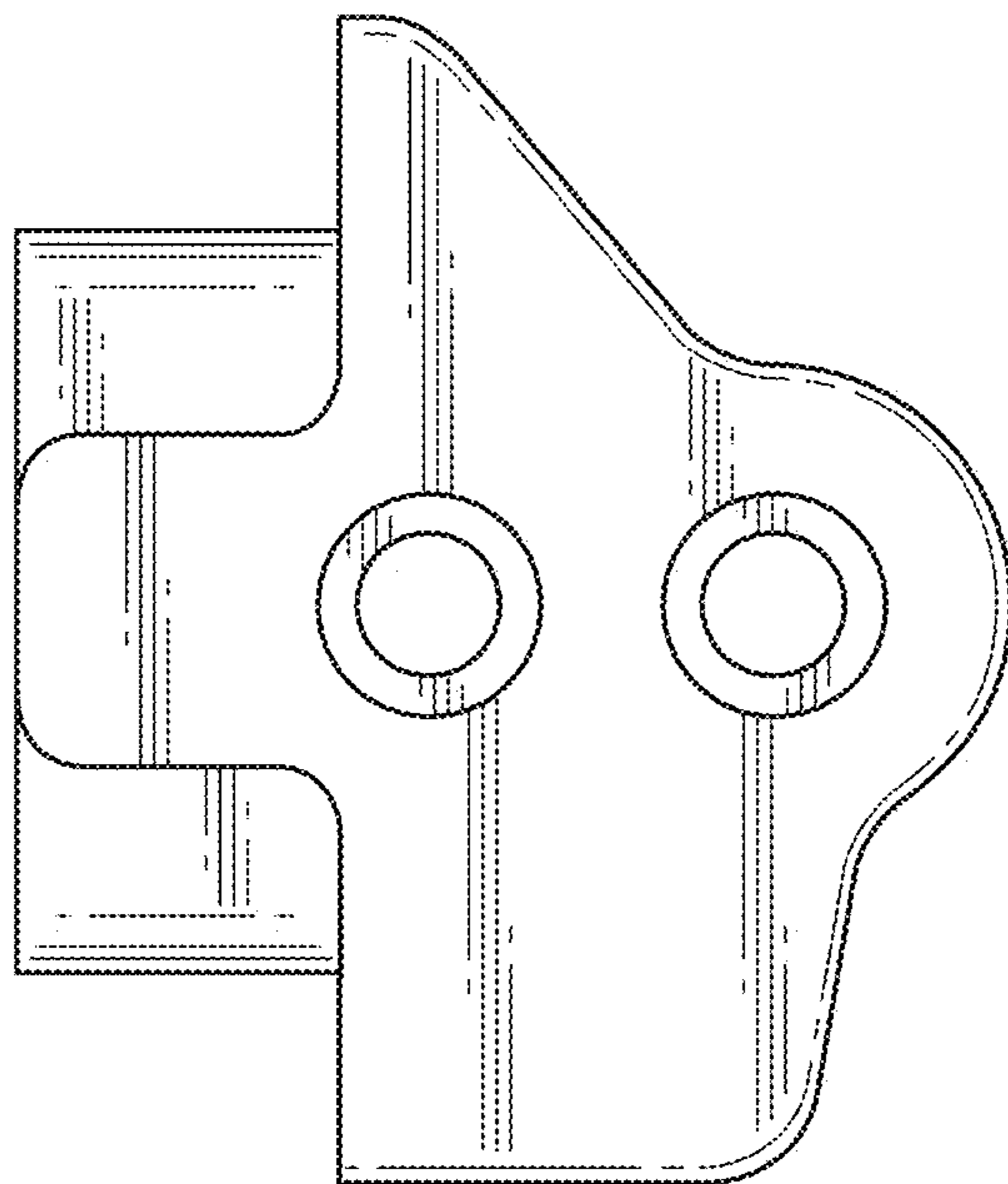


FIG. 4

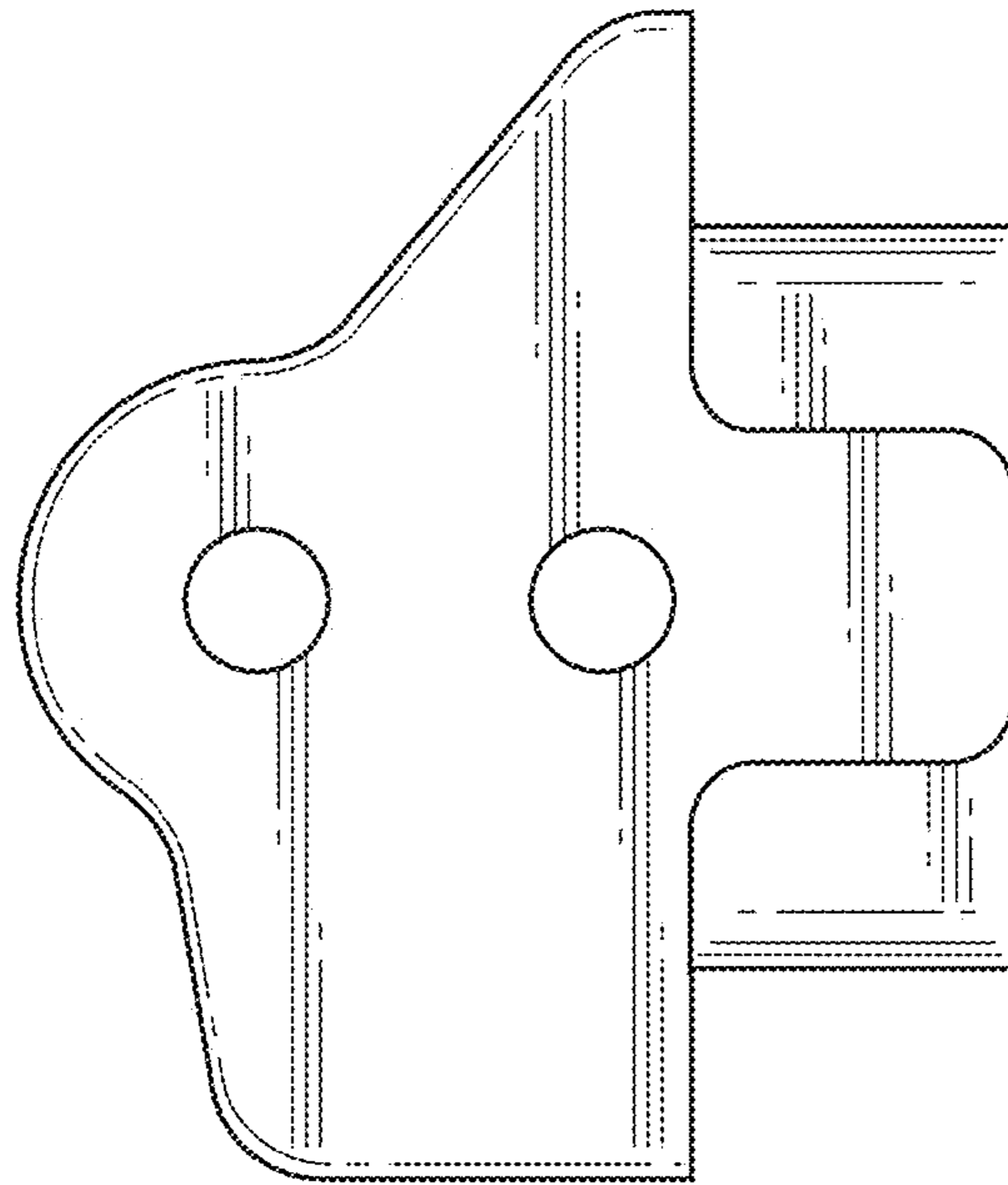


FIG. 5

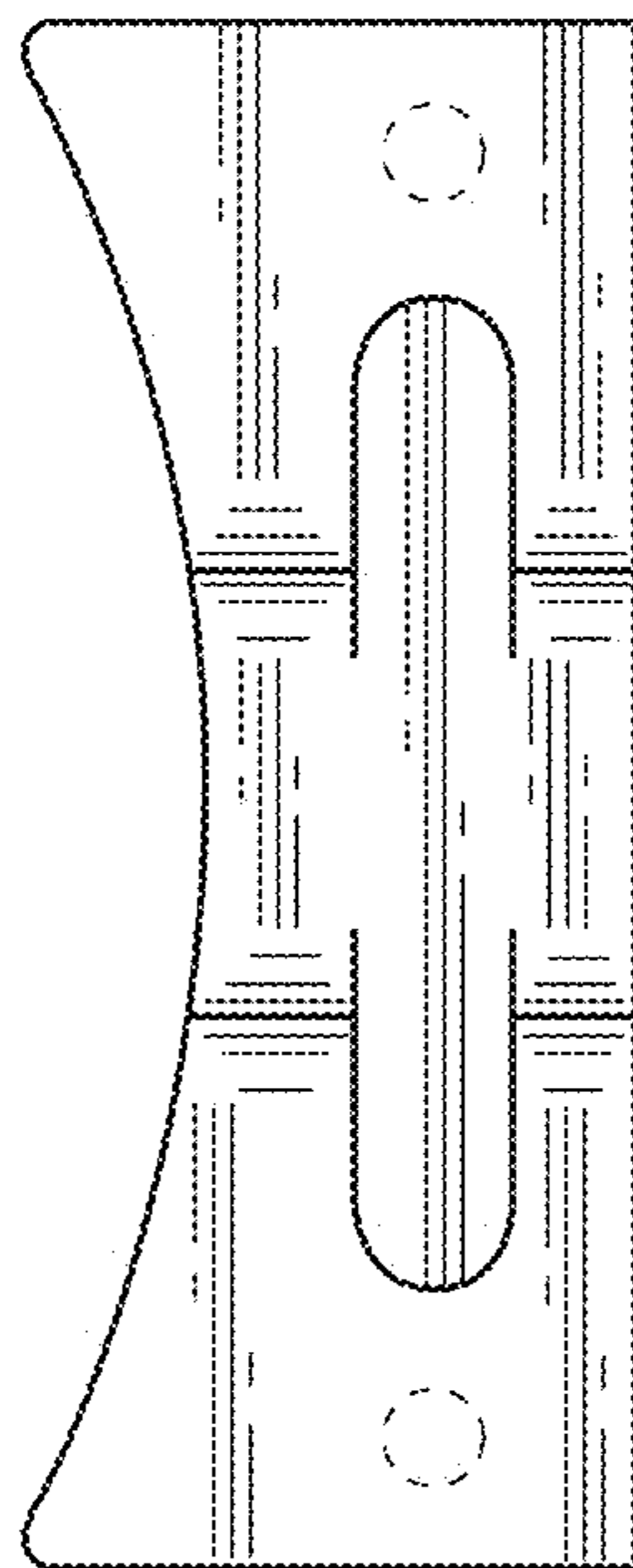


FIG. 6

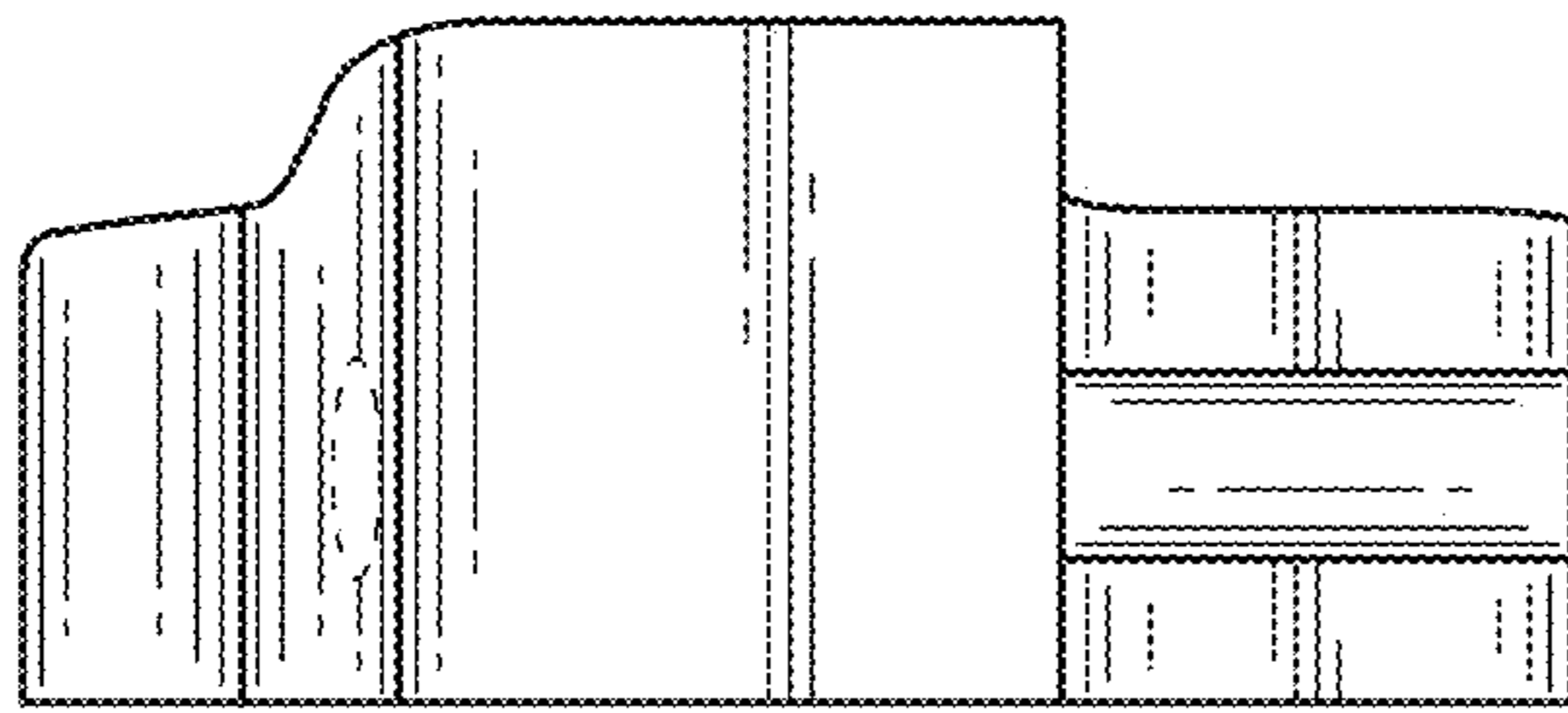


FIG. 7

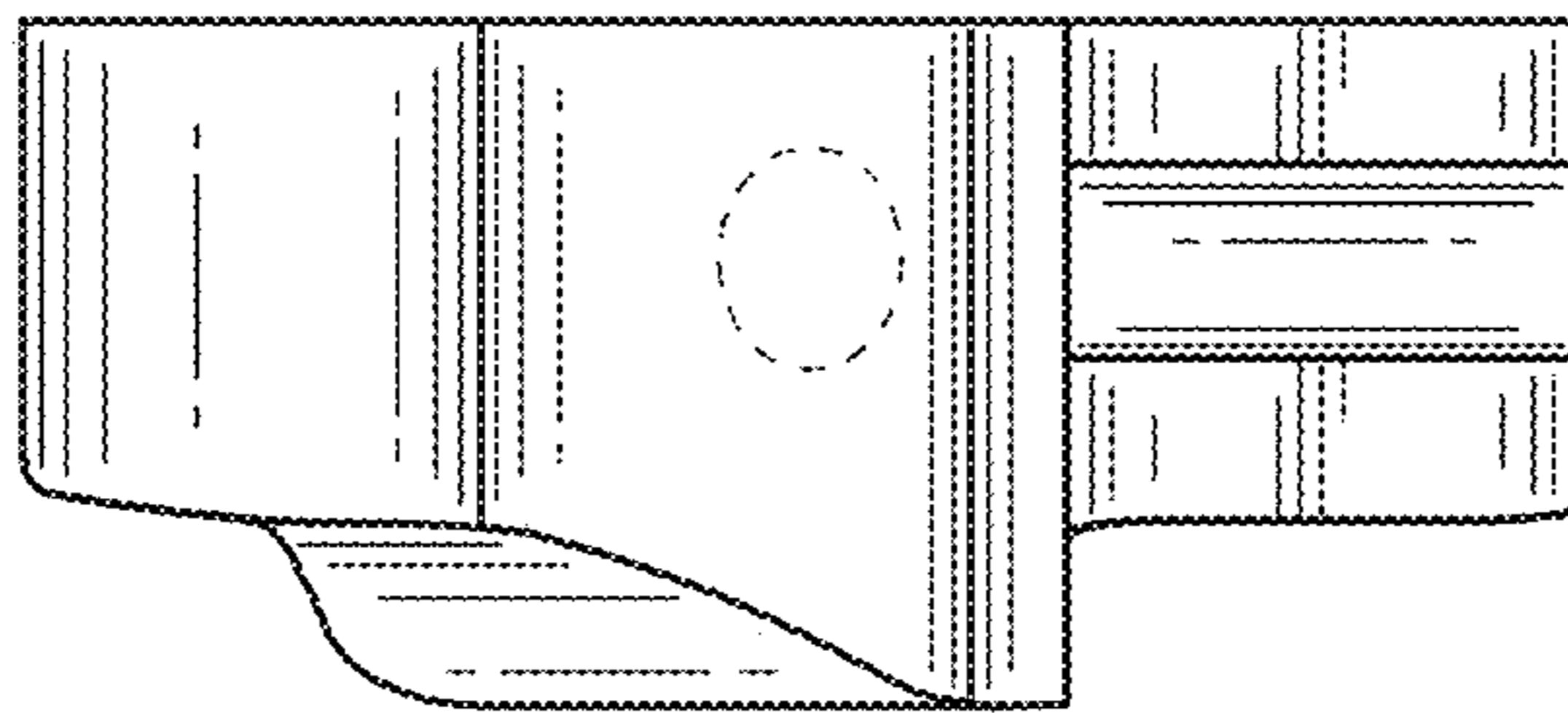


FIG. 8