



US00D917268S

(12) **United States Design Patent** (10) **Patent No.:** **US D917,268 S**  
**Garcia** (45) **Date of Patent:** **\*\* Apr. 27, 2021**

(54) **GRAVITY HOOK**

(71) Applicant: **Brent A. Garcia**, Las Vegas, NV (US)

(72) Inventor: **Brent A. Garcia**, Las Vegas, NV (US)

(\*\*) Term: **15 Years**

(21) Appl. No.: **29/629,554**

(22) Filed: **Dec. 13, 2017**

(51) **LOC (13) Cl.** ..... **08-05**

(52) **U.S. Cl.**

USPC ..... **D8/373**

(58) **Field of Classification Search**

USPC ..... D8/373, 358, 359, 354, 71, 330, 336,  
D8/351, 356, 360.1, 363, 364, 367, 370,  
D8/372, 379, 381, 382, 395, 396;  
D6/349, 352; D9/426, 502, 750;  
D10/72, 73, 89; D11/79, 93; D13/103,  
D13/107; D19/67; D21/673, 674, 675,  
D21/839, 840; D25/19, 62, 68, 69;  
D26/40, 49; D29/122, 124; D30/153,  
D30/155; D12/162; D34/24, 26; D3/10  
CPC ..... B65H 75/40; B65H 75/4407; B65H  
75/4471; B65H 2701/34; B65H 2701/32;  
B65H 2511/142; B65H 29/008; B65H  
2701/33; B65H 54/585; B65H 51/22;  
B65H 75/08; B65H 75/02; B65H  
2301/41485; B65H 75/4468; B65H  
2301/414323; B65H 2301/414325; B65H  
16/02; B65H 2301/4131; B65H 75/403;  
B65H 75/441; B65D 85/66; B65D 85/67;  
B66D 3/006; B66D 3/18; B66D 3/26;  
B66D 3/02; B66D 3/14; B63B 21/18;  
B63B 21/26; B63B 57/005; A61G  
7/1051; A61G 7/1061; B66B

(Continued)

(56) **References Cited**

U.S. PATENT DOCUMENTS

372,970 A \* 11/1887 Davies ..... F16G 11/00  
24/115 R  
D141,865 S \* 7/1945 Smith ..... D10/73  
(Continued)

FOREIGN PATENT DOCUMENTS

CN 201630532179.5 \* 10/2016

OTHER PUBLICATIONS

Gravity Hook Pin Mod, posted Aug. 17, 2015, [retrieved Mar. 28,  
2020], Retrieved from Internet, <URL: <https://www.youtube.com/watch?v=ZV9PxcluyU>>.\*

(Continued)

*Primary Examiner* — George D. Kirschbaum  
*Assistant Examiner* — Joseph J Kukella  
(74) *Attorney, Agent, or Firm* — Loza & Loza, LLP;  
Heidi L. Eisenhut

(57) **CLAIM**

The ornamental design for a gravity hook, as shown and described.

**DESCRIPTION**

FIG. 1 is a top right perspective of a gravity hook, according to the present invention.  
FIG. 2 is a front side elevation view of the gravity hook of FIG. 1;  
FIG. 3 is a back side elevation view of the gravity hook of FIG. 1 in a closed configuration;  
FIG. 4 is a first side elevation view of the gravity hook of FIG. 1;  
FIG. 5 is a second side elevation view of the gravity hook of FIG. 1;

(Continued)

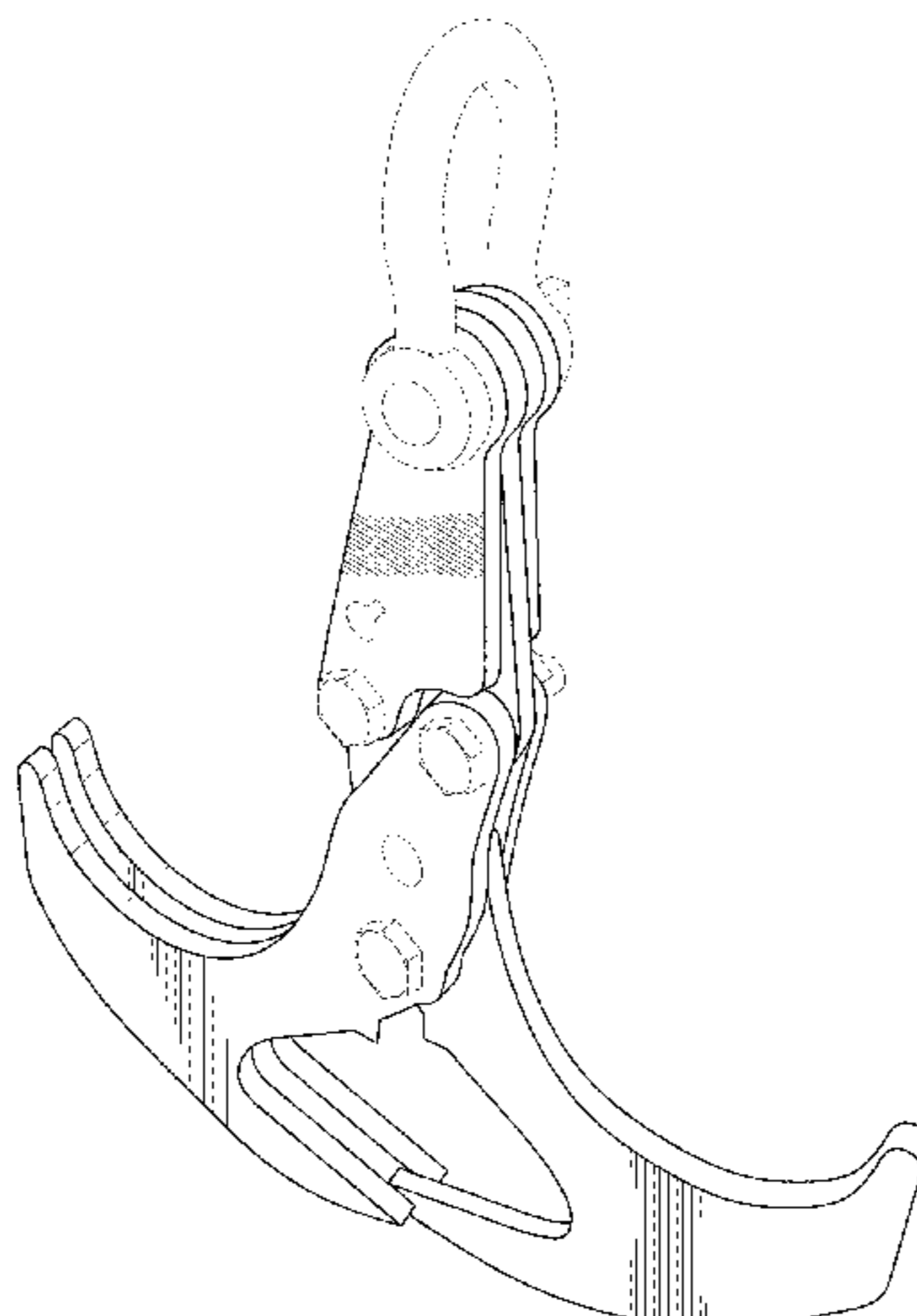


FIG. 6 is a top plan view of the gravity hook of FIG. 1; FIG. 7 is a bottom plan view of the gravity hook of FIG. 1; and, FIG. 8 is a front side elevation view of the gravity hook of FIG. 1 in an open configuration. The broken lines represent portions of the gravity hook that form no portion of the claim.

**1 Claim, 6 Drawing Sheets**

(58) **Field of Classification Search**

CPC . 11/08; A62C 33/04; B08B 2203/0276; B21C 47/28; H02G 11/02; A01K 89/003; H04M 1/15; A01D 34/822; A47L 9/26; H04R 1/1033; Y10S 24/909; Y10S 24/2175; E05C 19/10; E05C 17/50; E05C 3/045; E05C 3/30; E05C 19/02; E05C 19/026; A47G 25/0614; A47G 25/18; A47G 25/32; A47G 7/047; A47G 7/045; A47G 7/042; A47G 7/044; F16B 12/44; F16B 12/46; F16B 5/0614; F16B 12/02; E04B 1/2612; E04B 2001/2415; E04B 1/5818; E04B 1/5831; A47B 88/0055; E04F 11/1812; F16L 1/0246; A01G 9/024; A01G 25/14; A01G 27/001; A01G 9/042; A01G 27/005; A01G 31/001; A01G 9/02; A01G 9/083; A01G 9/12; B60D 1/185;

B60P 7/083; B60P 7/0853; B60P 7/0823; Y10T 24/2175; Y10T 24/2164

See application file for complete search history.

(56)

**References Cited**

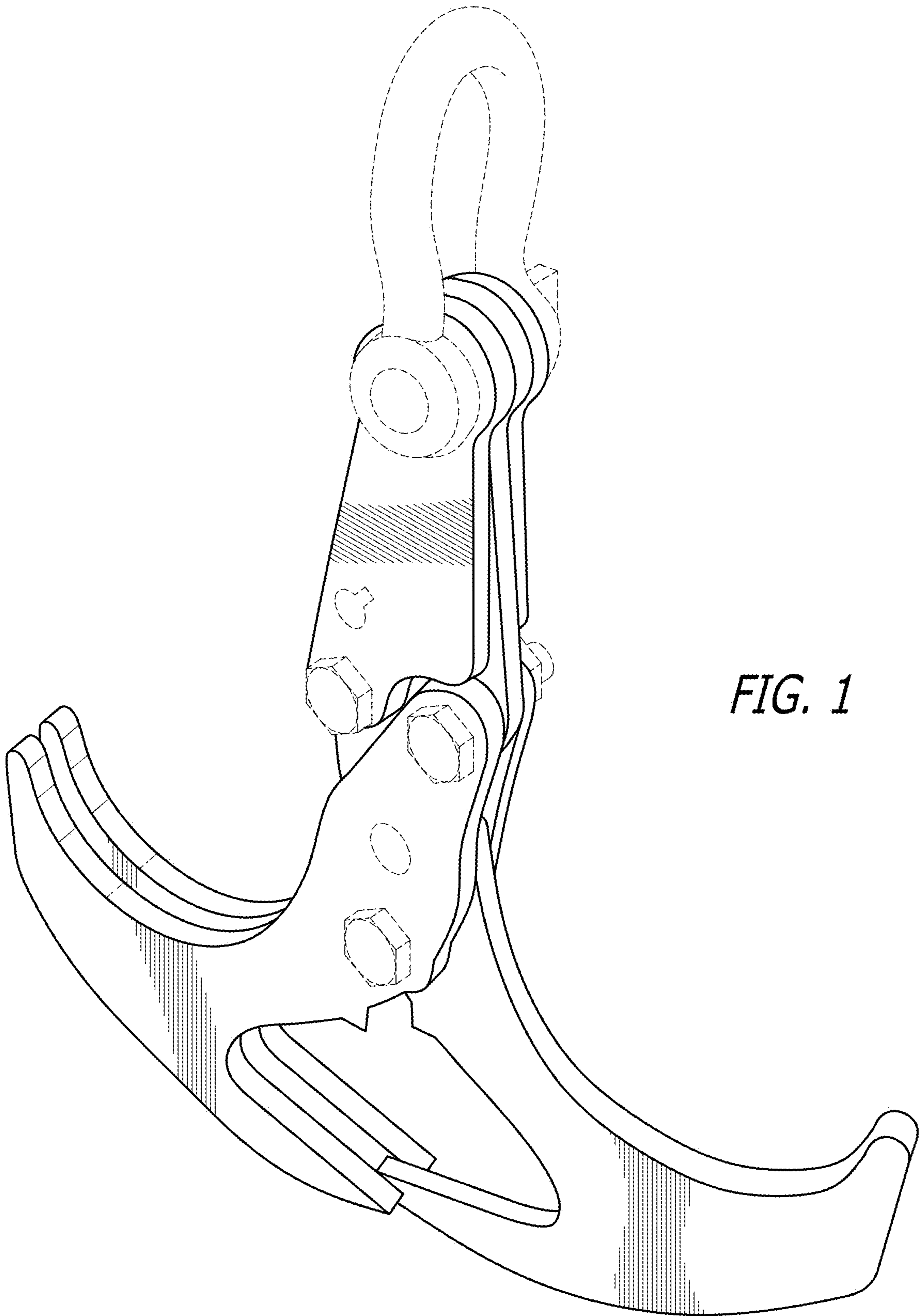
U.S. PATENT DOCUMENTS

D271,590	S	*	11/1983	Ashcroft .....	D10/73
D327,000	S	*	6/1992	Johnson, Jr. ....	D8/367
D513,971	S	*	1/2006	Gaster .....	D8/383
7,124,925	B2	*	10/2006	Ishizaki .....	B27F 7/19
					227/155
D604,596	S	*	11/2009	Forest .....	B62H 3/12
					D8/373
D611,374	S	*	3/2010	Marshall .....	D10/89
D614,940	S	*	5/2010	Gaska .....	D8/373
9,333,895	B2	*	5/2016	Pingelton .....	B60P 7/0823
D801,161	S		10/2017	Xiao	
D827,734	S	*	9/2018	Exley .....	D21/673
2015/0274061	A1	*	10/2015	Wilkinson .....	B60P 7/0846
					24/68 CD
2018/0187713	A1	*	7/2018	Chmelar .....	F16B 2/10

OTHER PUBLICATIONS

Modified Gravity Hook, posted Aug. 26, 2015, [retrieved Mar. 28, 2020], Retrieved from Internet, <URL: [https://www.youtube.com/watch?v=i\\_fRy5OFmYk](https://www.youtube.com/watch?v=i_fRy5OFmYk) >.\*

\* cited by examiner



*FIG. 1*

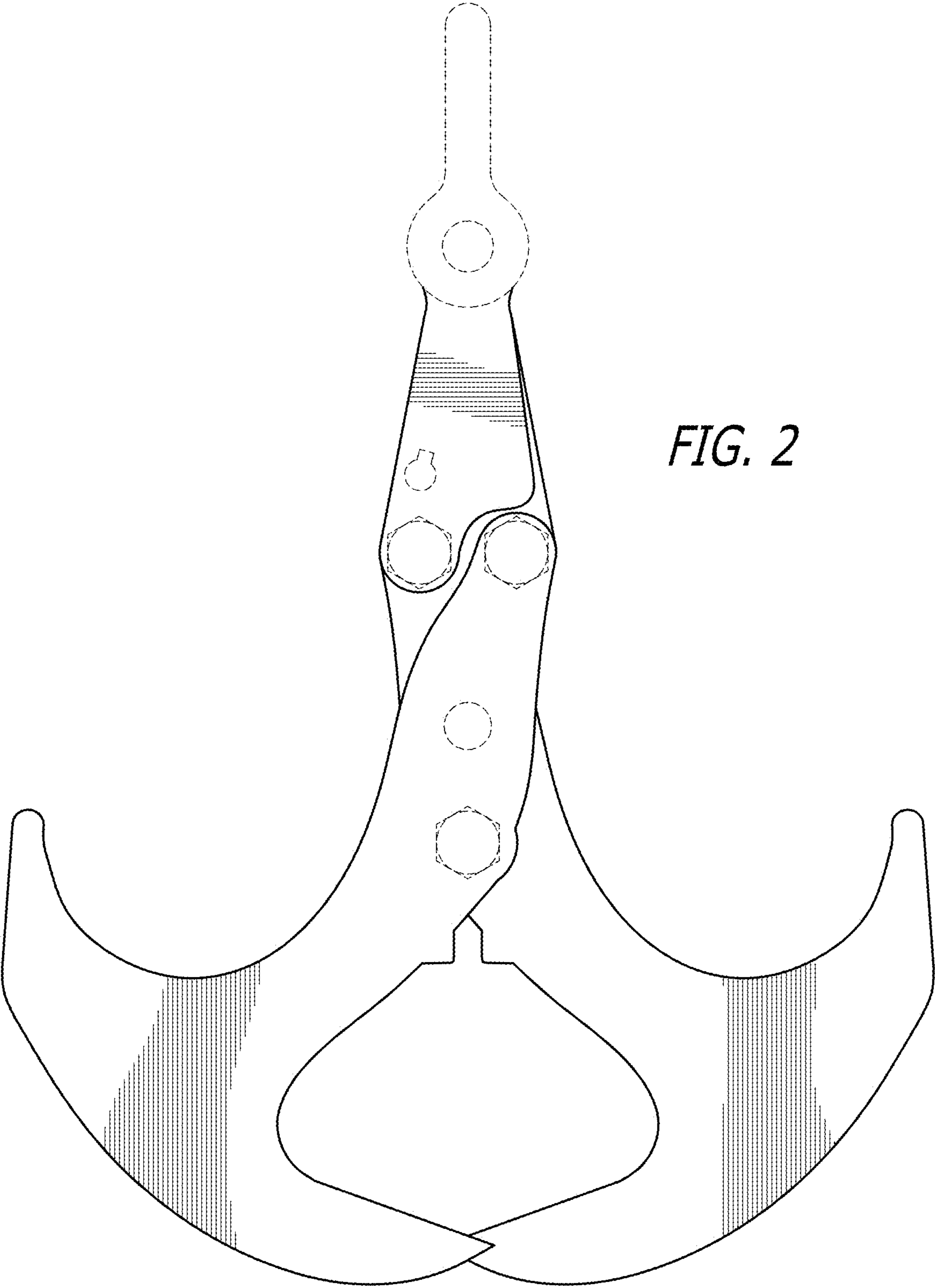
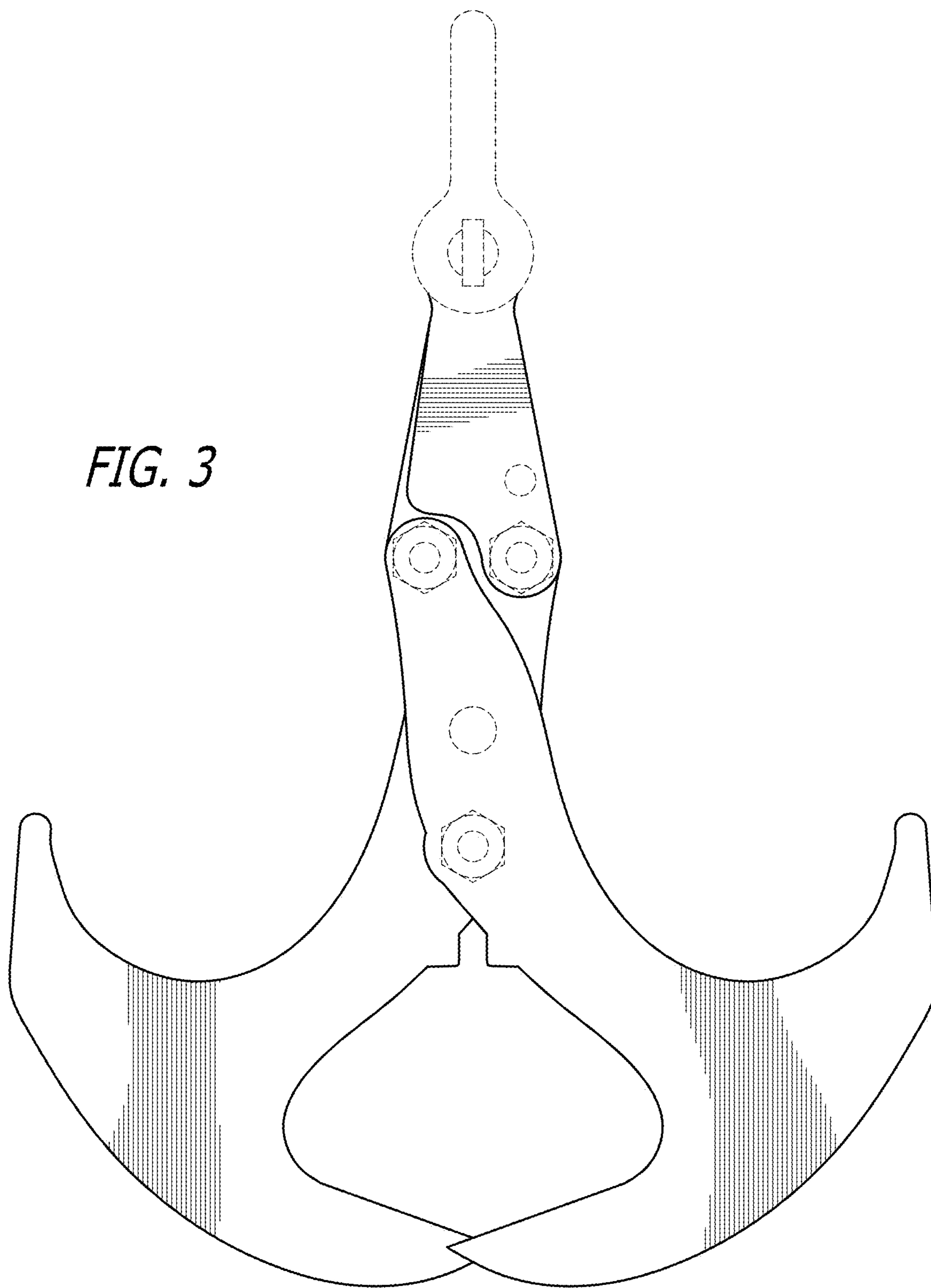


FIG. 2





*FIG. 3*

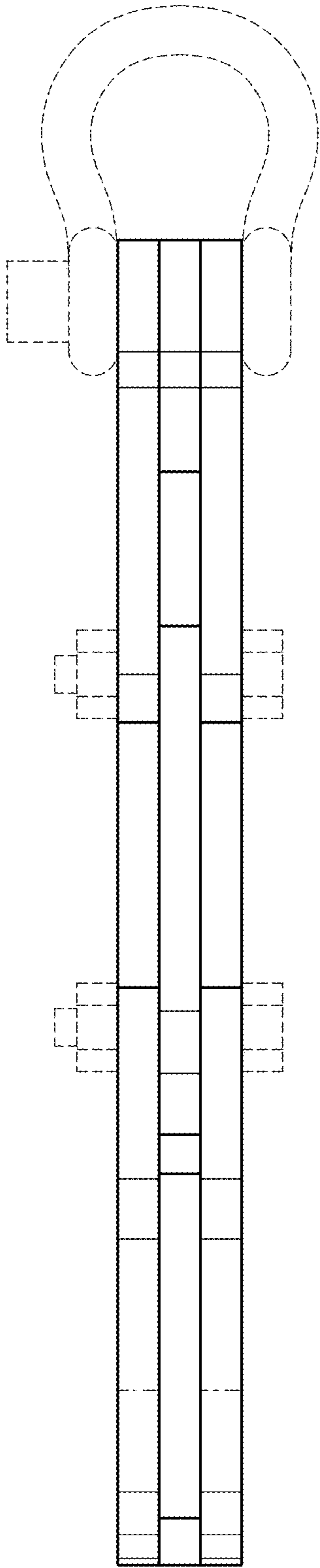


FIG. 4

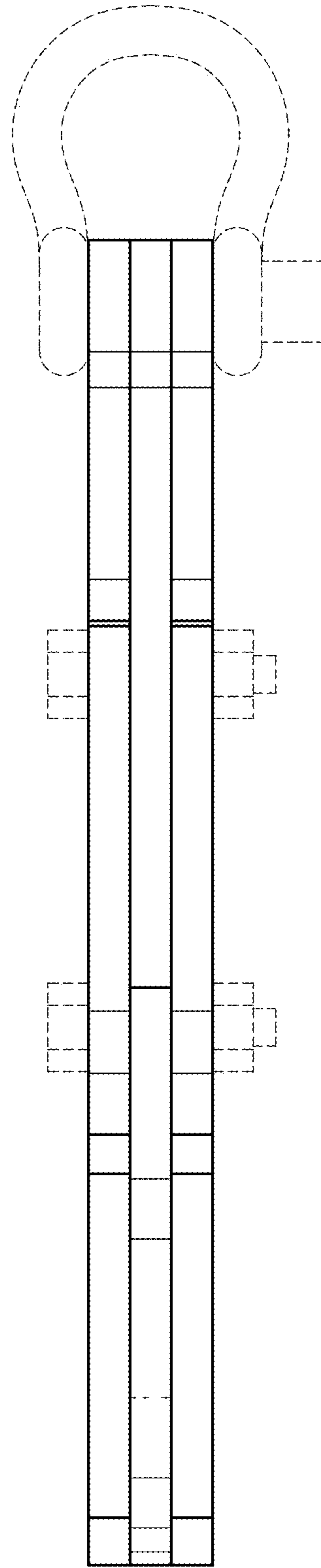
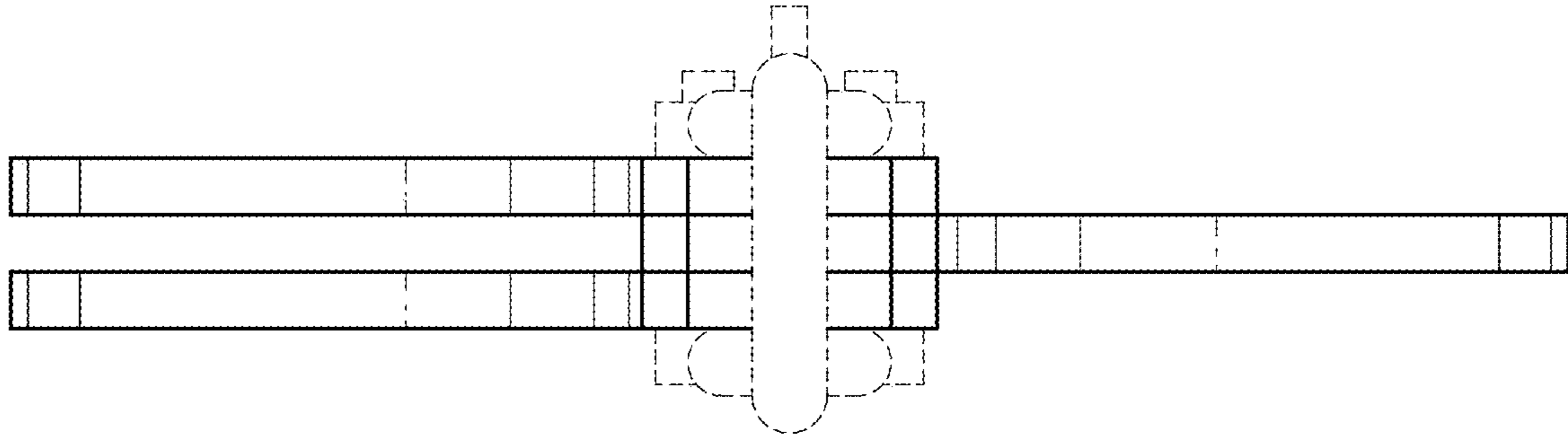
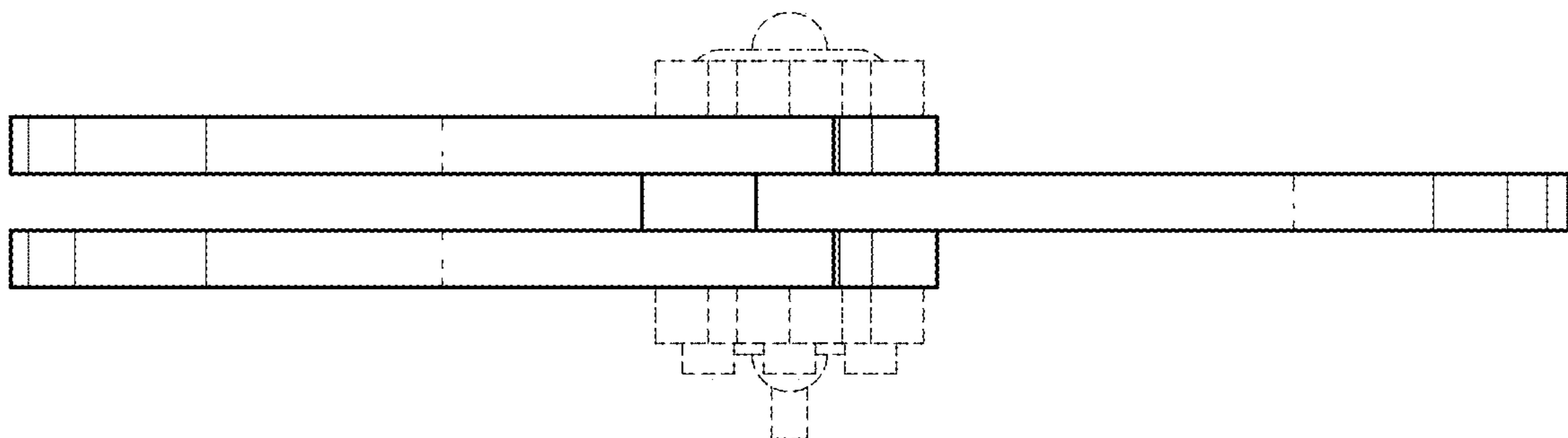


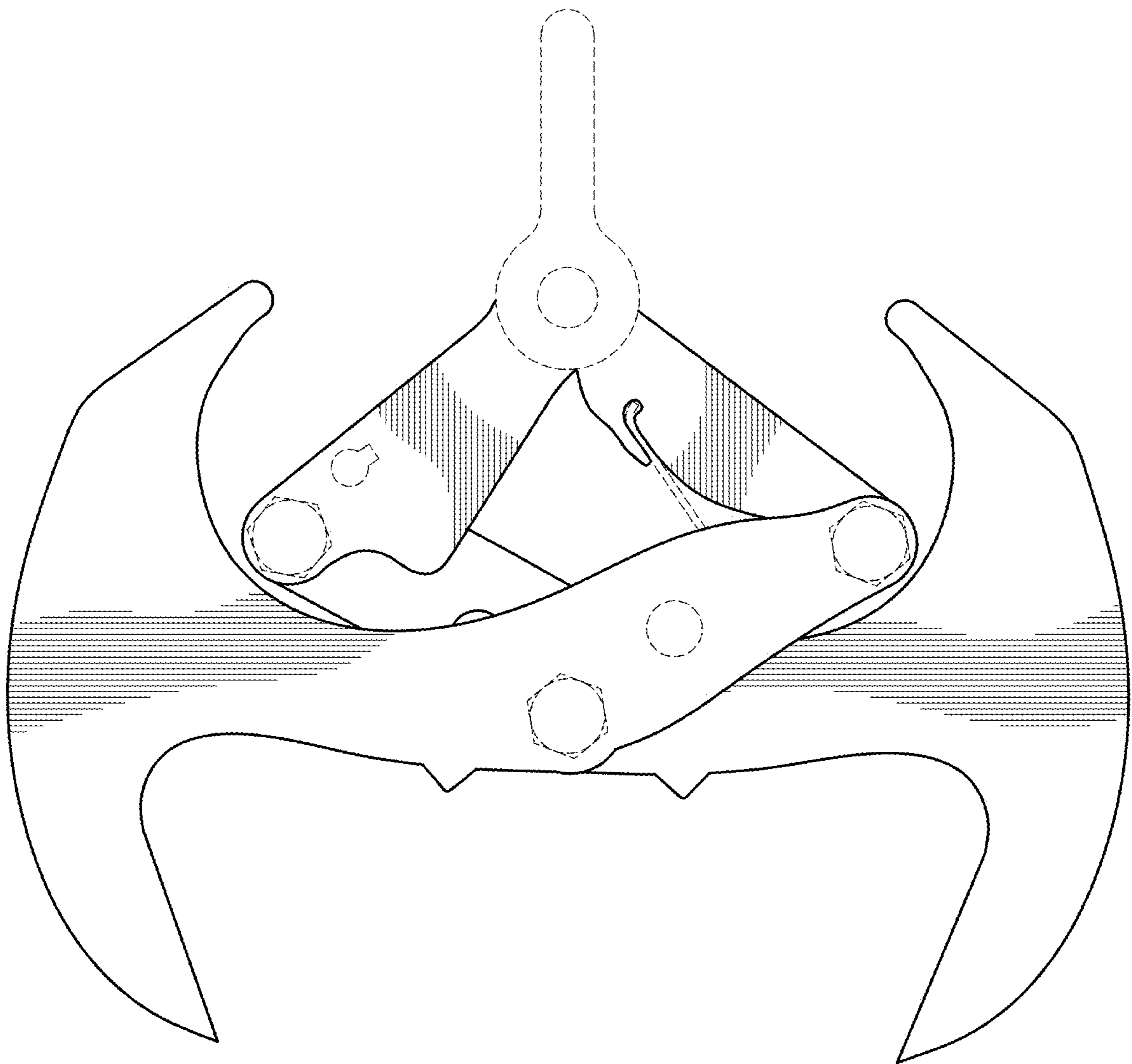
FIG. 5



*FIG. 6*



*FIG. 7*



*FIG. 8*