



US00D917266S

(12) **United States Design Patent** (10) **Patent No.:** **US D917,266 S**  
**Winnie** (45) **Date of Patent:** **\*\* Apr. 27, 2021**

(54) **MAGNETIC HOOK**

(71) Applicant: **Jonathan Winnie**, Lake Zurich, IL (US)

(72) Inventor: **Jonathan Winnie**, Lake Zurich, IL (US)

(\*\*) Term: **15 Years**

(21) Appl. No.: **29/688,667**

(22) Filed: **Apr. 23, 2019**

(51) **LOC (13) Cl.** ..... **08-05**

(52) **U.S. Cl.**  
USPC ..... **D8/367**

(58) **Field of Classification Search**  
USPC ..... D8/316, 358, 359, 363, 366, 370, 371, D8/372, 373, 382, 374, 375, 376, 377; D7/600, 400; D13/183

CPC ..... A47G 7/047; A47G 7/045; A47G 7/042; A47G 7/044; A01G 9/024; A01G 25/14; A01G 27/001; A01G 9/042; A01G 27/005; A01G 31/001; A01G 9/02; A01G 9/083; A01G 9/12; B60G 2400/05146; B62B 1/10; B62B 1/264; B62B 1/14; B25G 1/08; B25G 1/10; B65H 75/40; B65H 75/4407; B65H 75/4471; B65H 2701/34; B65H 2701/32; B65H 2511/142; B65H 29/008; B65H 75/22; B65D 85/66; B65D 85/67; E06B 11/00; E06B 11/021; E06B 11/022; E06B 11/023; E04F 11/1804; E04F 11/1808; E04F 11/1812; G12B 3/00; G12B 3/06; F02D 9/04; F02D 9/101; F02D 9/10; A47F 7/14; A47F 7/16; A47F 7/143; A47F 5/08; A47F 5/0807; A47F 5/0815; A47F 5/0838; A47F 5/0846; A47F 5/0853; A47F 5/105

See application file for complete search history.

(56) **References Cited**

U.S. PATENT DOCUMENTS

D29,041 S *	7/1898	Thomas	.....	D8/370
D116,867 S *	9/1939	Strand	.....	D8/370
D321,470 S *	11/1991	Gerrard	.....	D8/356
D374,603 S *	10/1996	Brown	.....	D8/373
D387,637 S *	12/1997	Salgy	.....	D8/1
D434,641 S *	12/2000	Hartley	.....	D8/373
D464,560 S *	10/2002	Kalat	.....	D8/370
D531,889 S *	11/2006	Woltmann	.....	A01K 15/025
				D8/382
D706,617 S *	6/2014	Hendricks	.....	D8/394

(Continued)

*Primary Examiner* — George D. Kirschbaum  
*Assistant Examiner* — Joseph J. Kukella  
(74) *Attorney, Agent, or Firm* — William Gray Mitchell

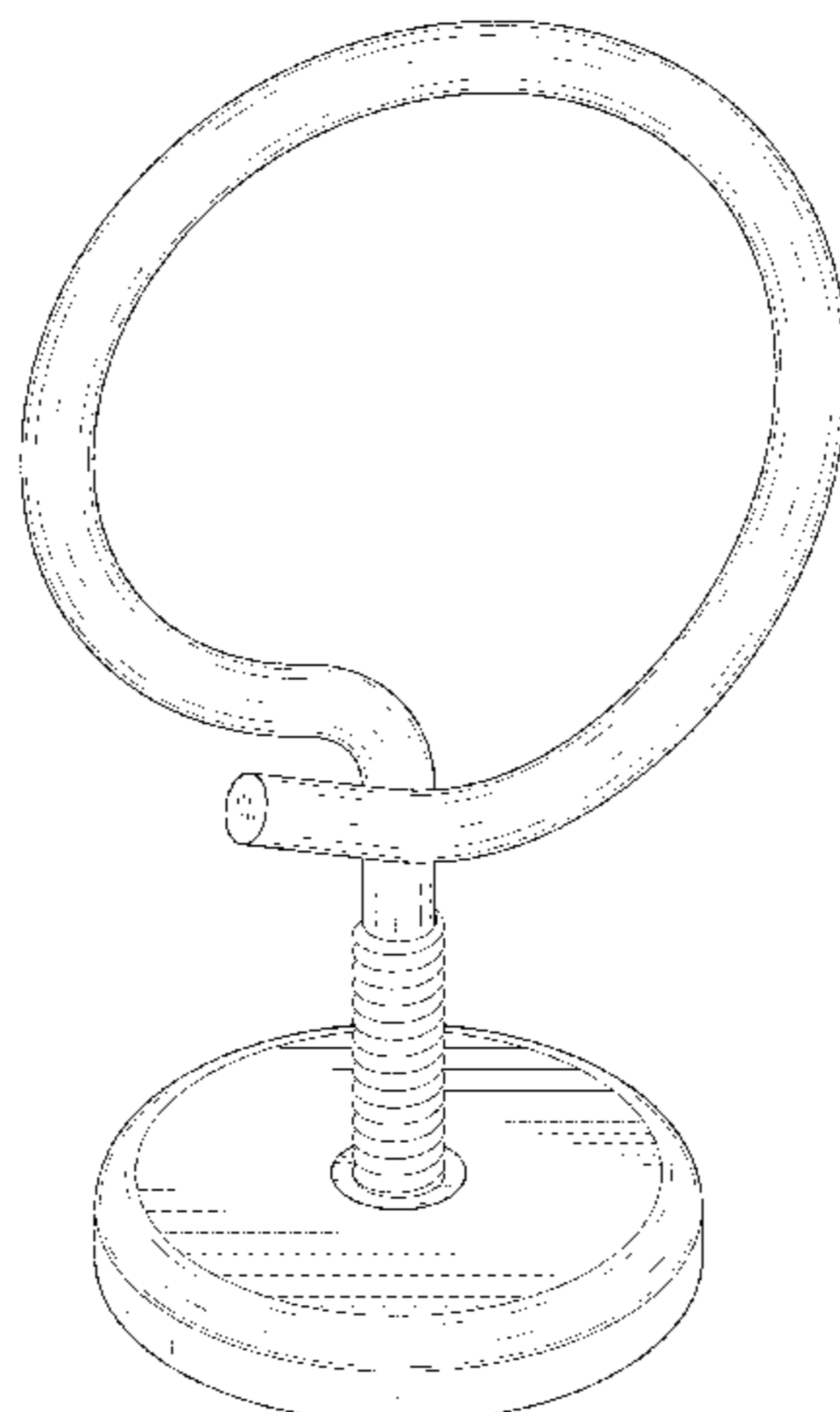
(57) **CLAIM**

I claim the ornamental design for a magnetic hook, as shown and described.

**DESCRIPTION**

FIG. 1 is a line drawing evidencing a front perspective view of the design;  
FIG. 2 is a line drawing evidencing a top perspective view of the design;  
FIG. 3 is a line drawing evidencing a top view of the design;  
FIG. 4 is a line drawing evidencing a left side view of the design;  
FIG. 5 is a line drawing evidencing a right side view of the design;  
FIG. 6 is a line drawing evidencing a bottom view of the design;  
FIG. 7 is a line drawing evidencing a front view of the design;  
FIG. 8 is a line drawing evidencing a back view of the design;  
FIG. 9 is a line drawing evidencing a front perspective view of the design in an unscrewed state; and,  
FIG. 10 is a line drawing evidencing a top perspective view of the design in an unscrewed state.

**1 Claim, 9 Drawing Sheets**



(56)

**References Cited**

U.S. PATENT DOCUMENTS

D718,120 S \* 11/2014 Sweeney ..... D8/370  
D787,303 S \* 5/2017 Garvin ..... D8/367  
D795,679 S \* 8/2017 Brooks ..... D8/370  
2014/0339389 A1 \* 11/2014 Futrell ..... A47G 23/0208  
248/303

\* cited by examiner

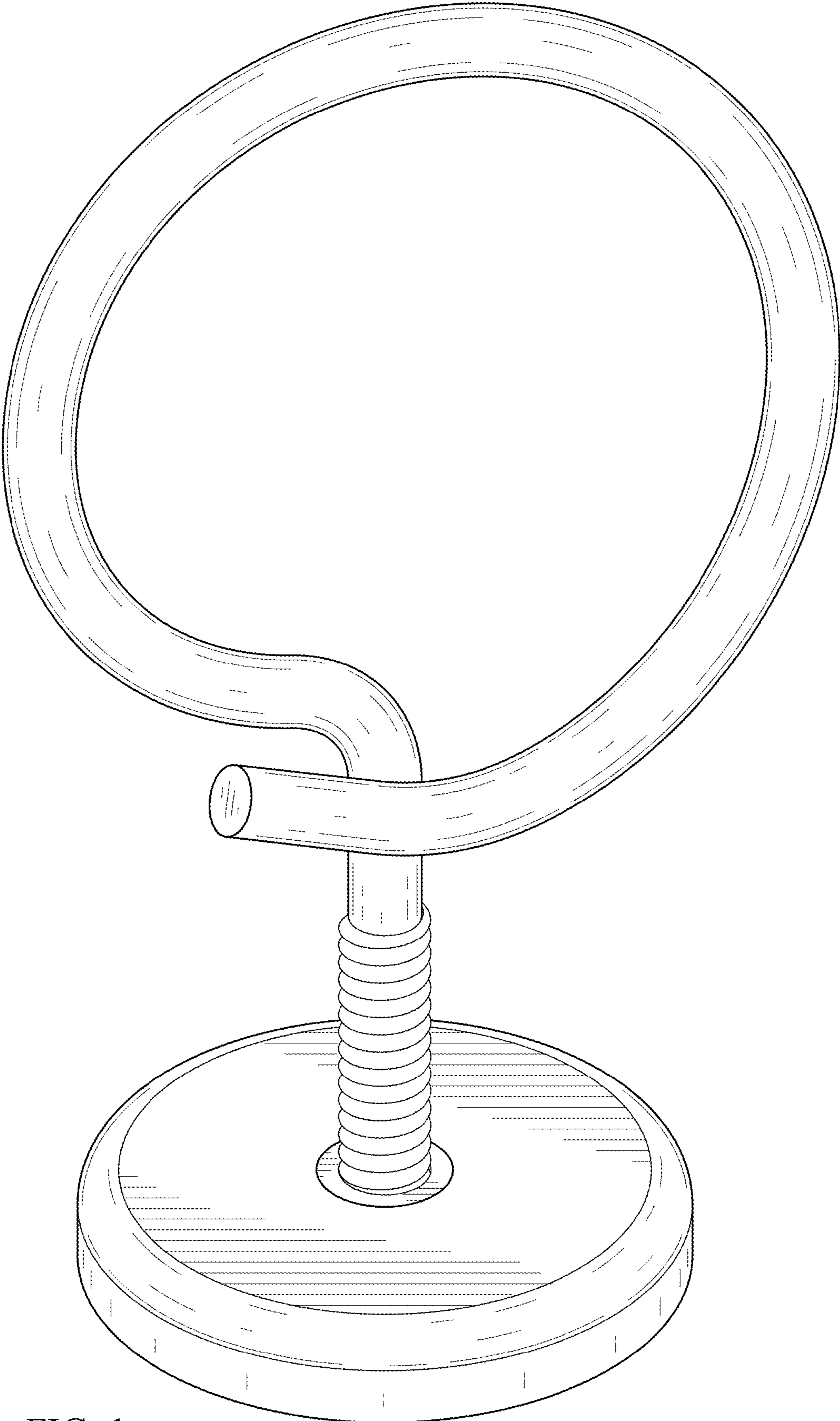


FIG. 1

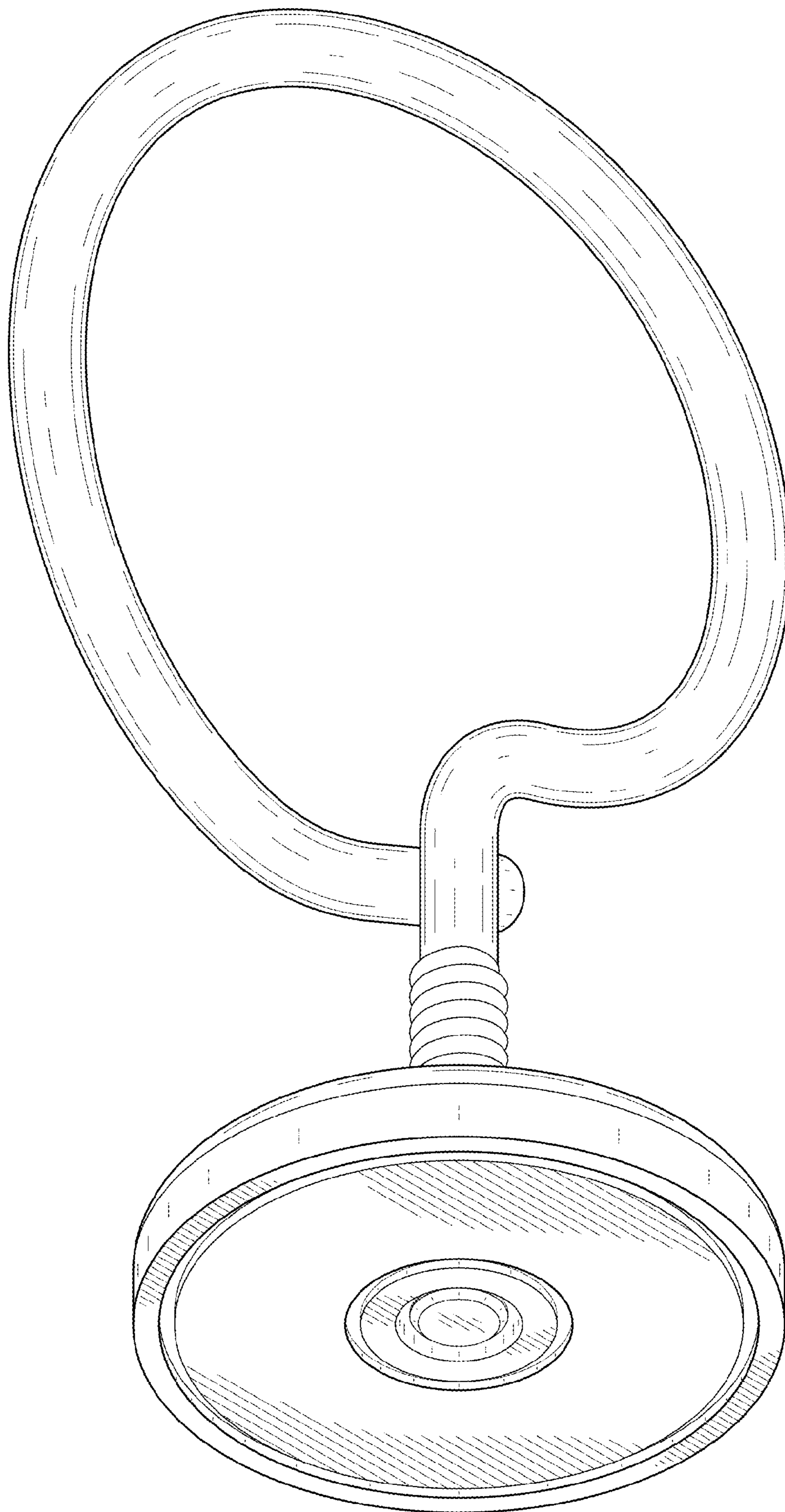


FIG. 2

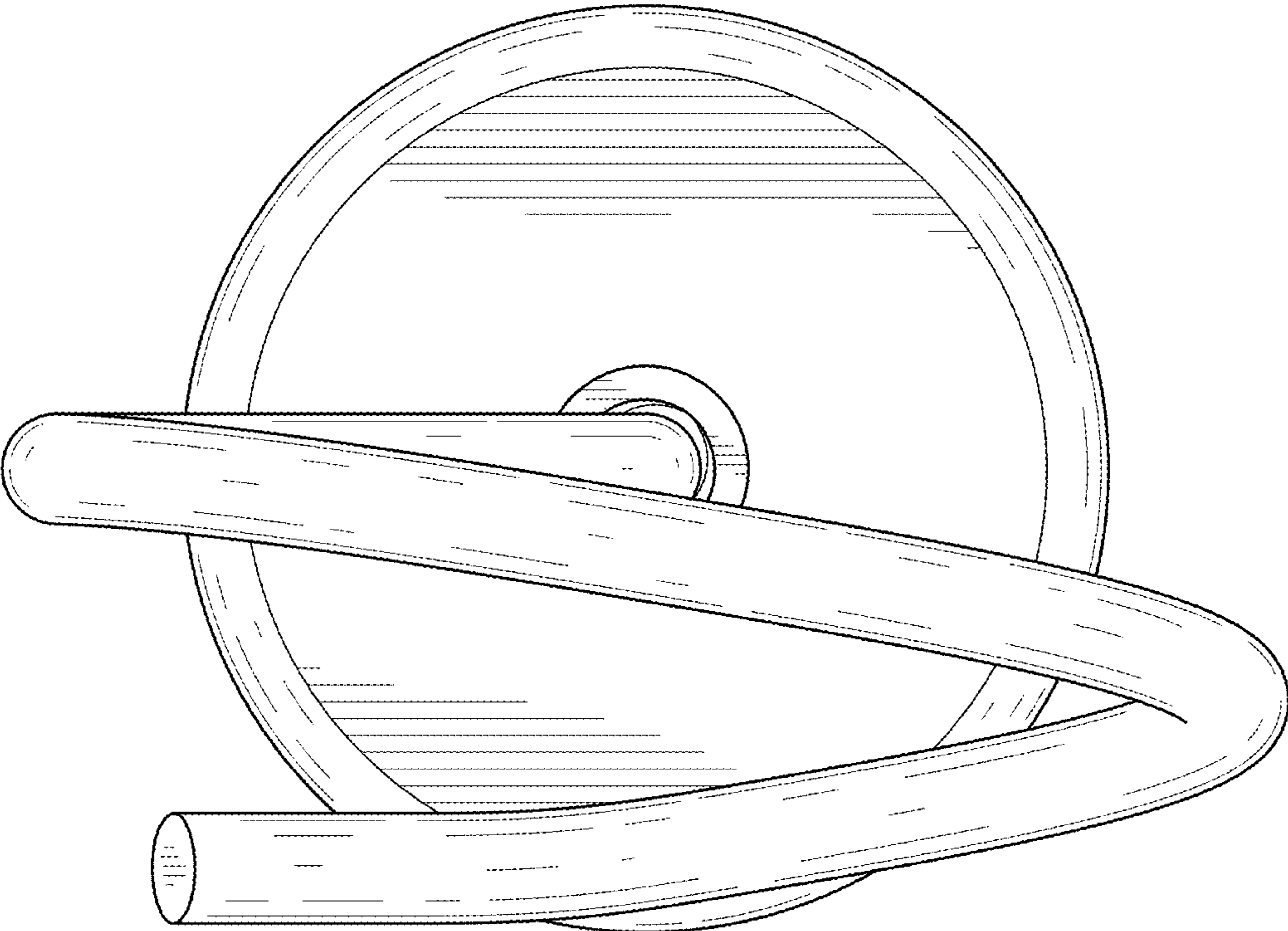


FIG. 3

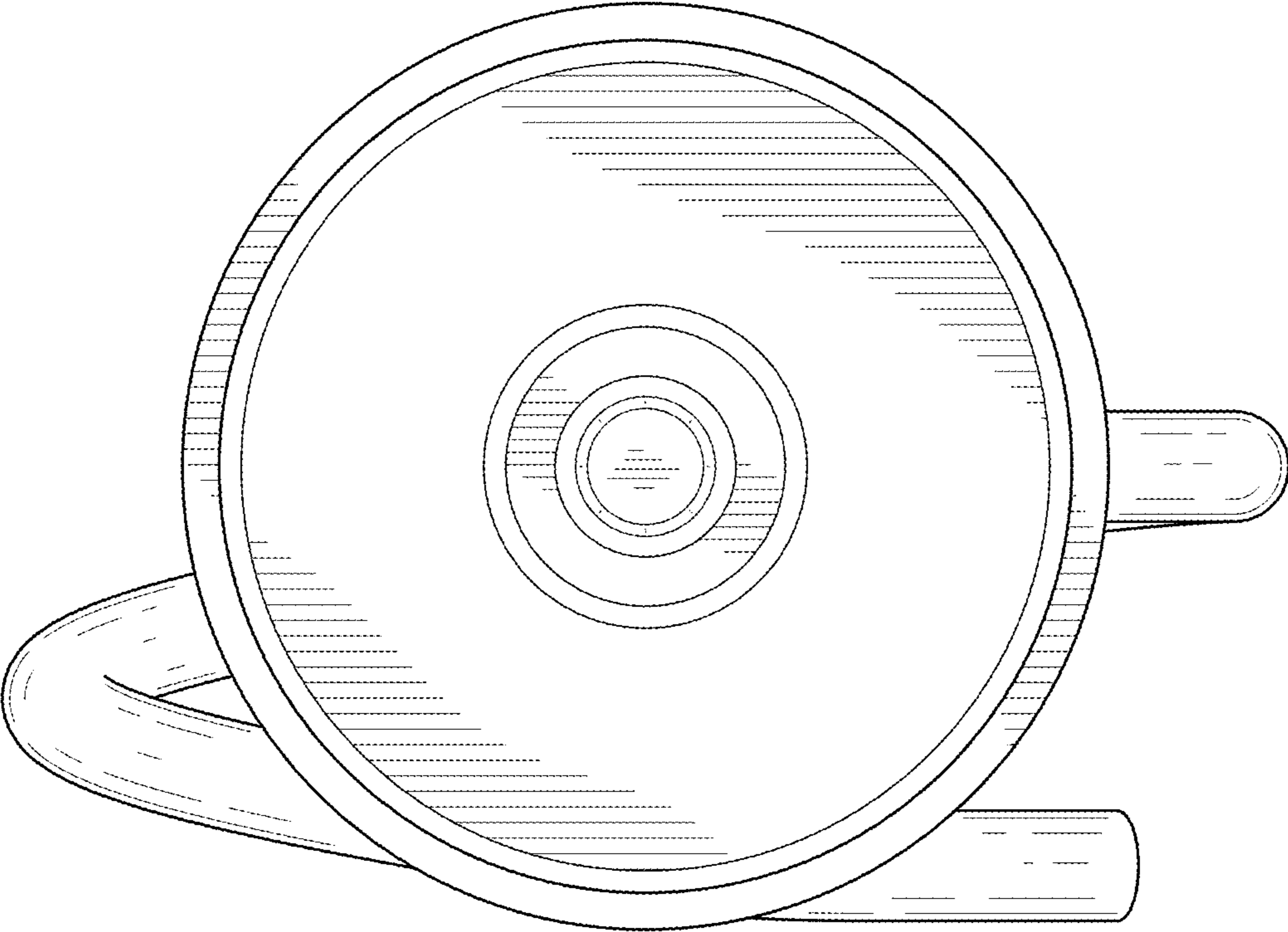


FIG. 4

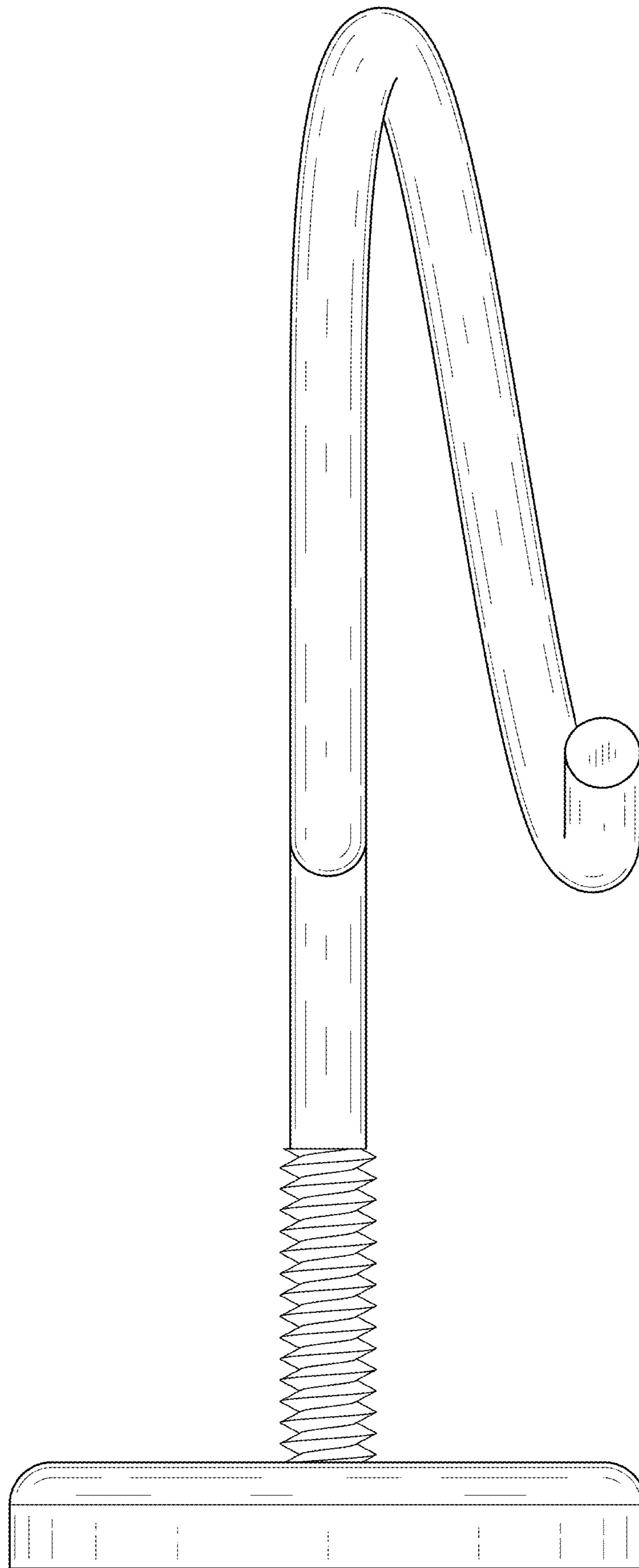


FIG. 5

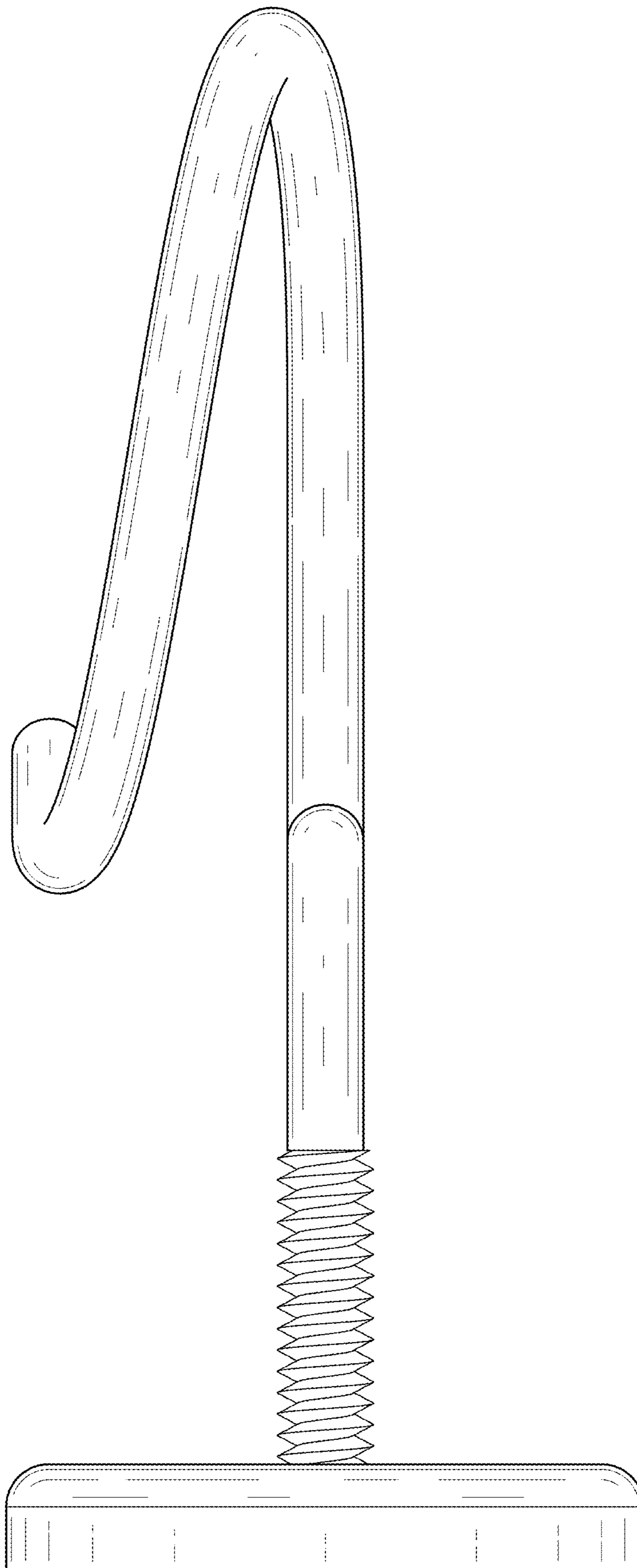


FIG. 6

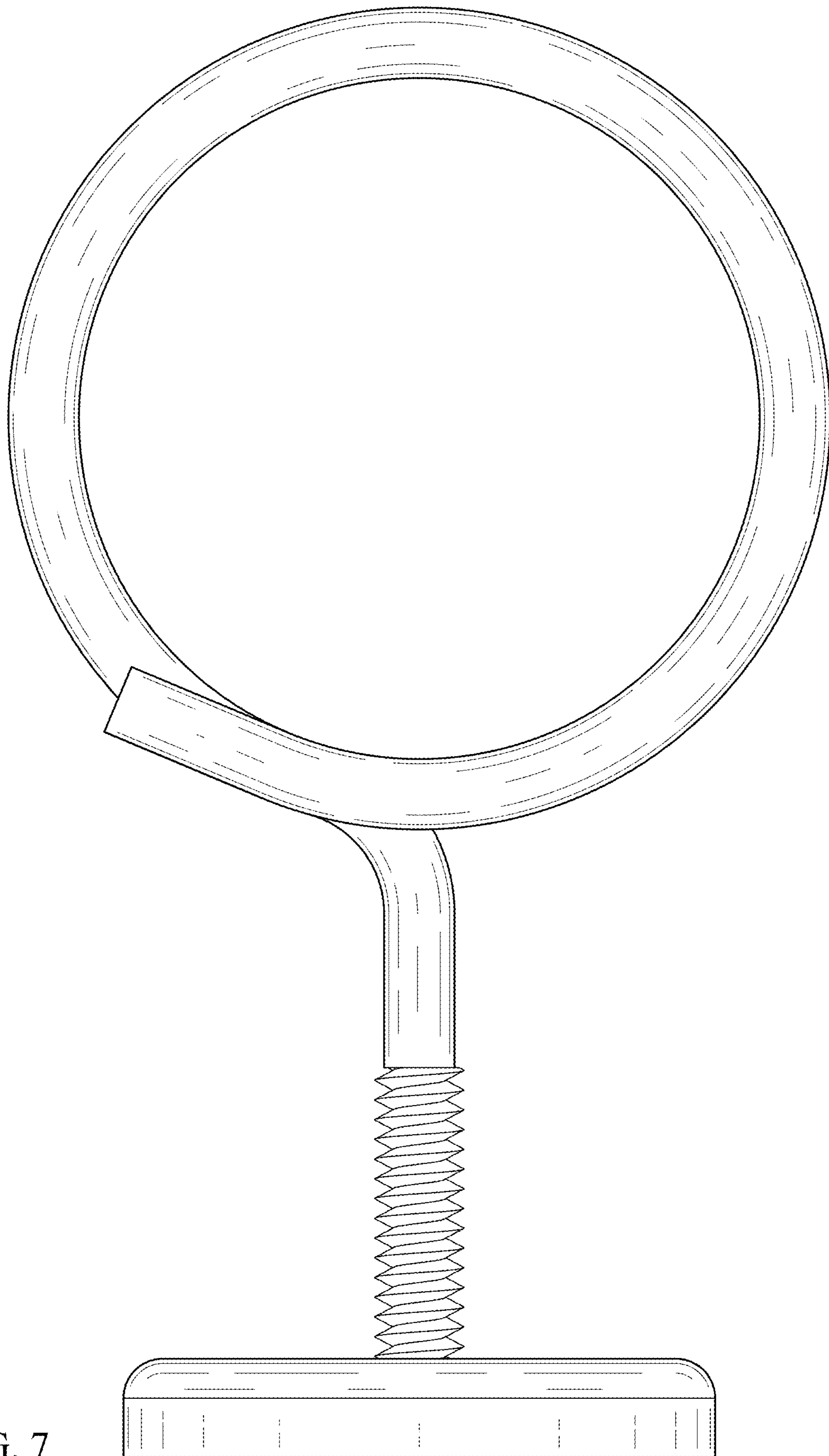


FIG. 7



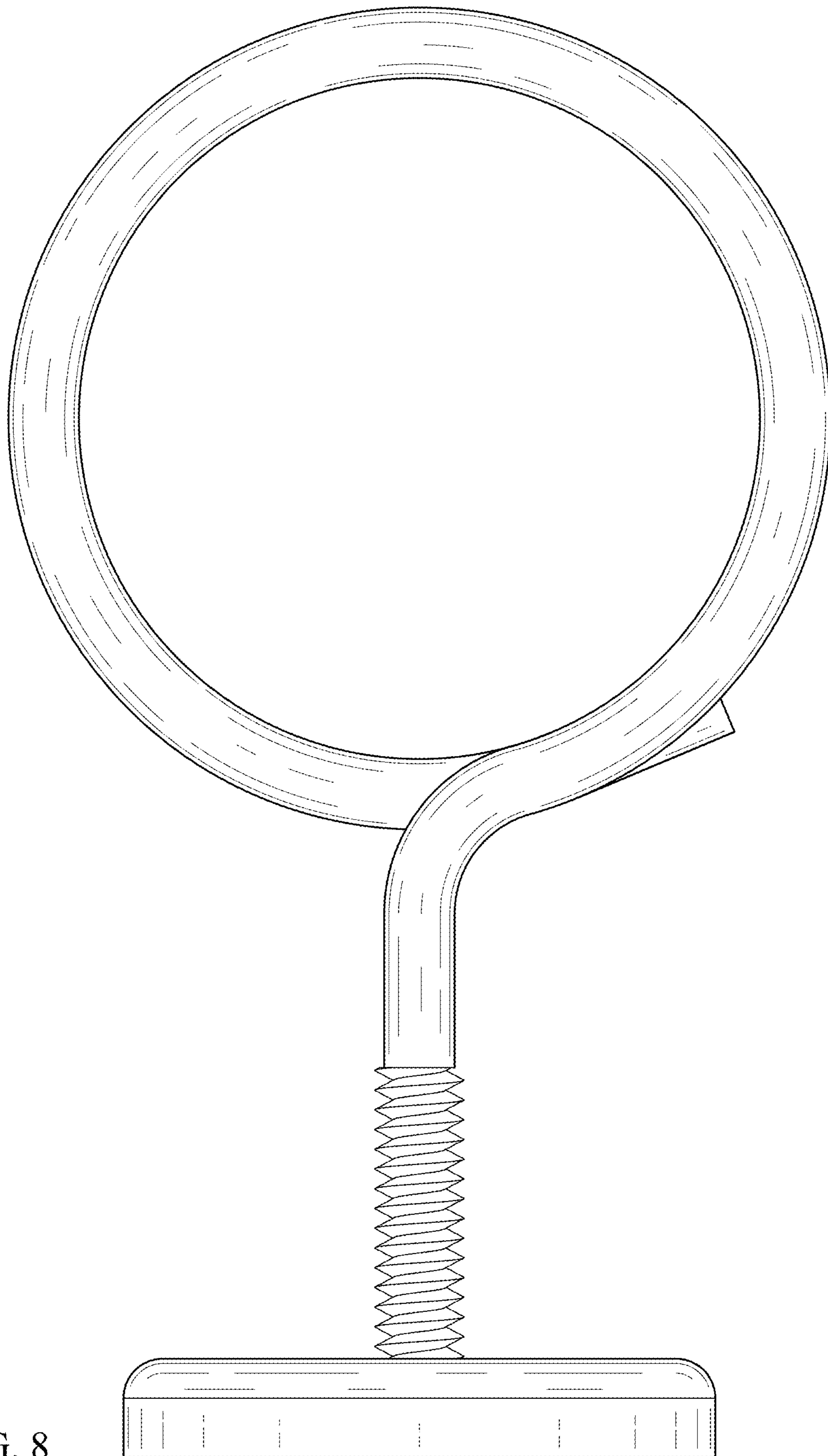


FIG. 8

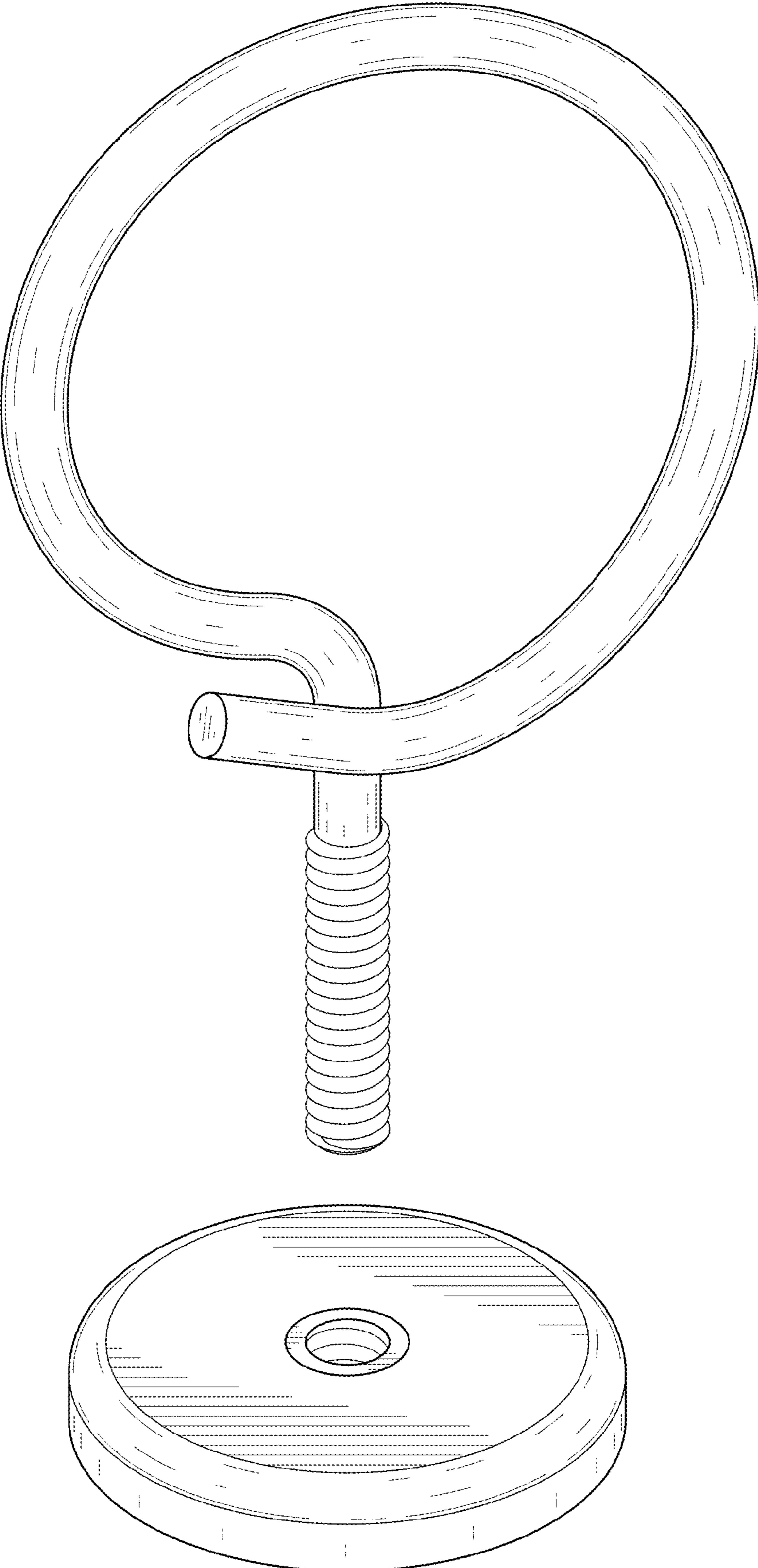


FIG. 9

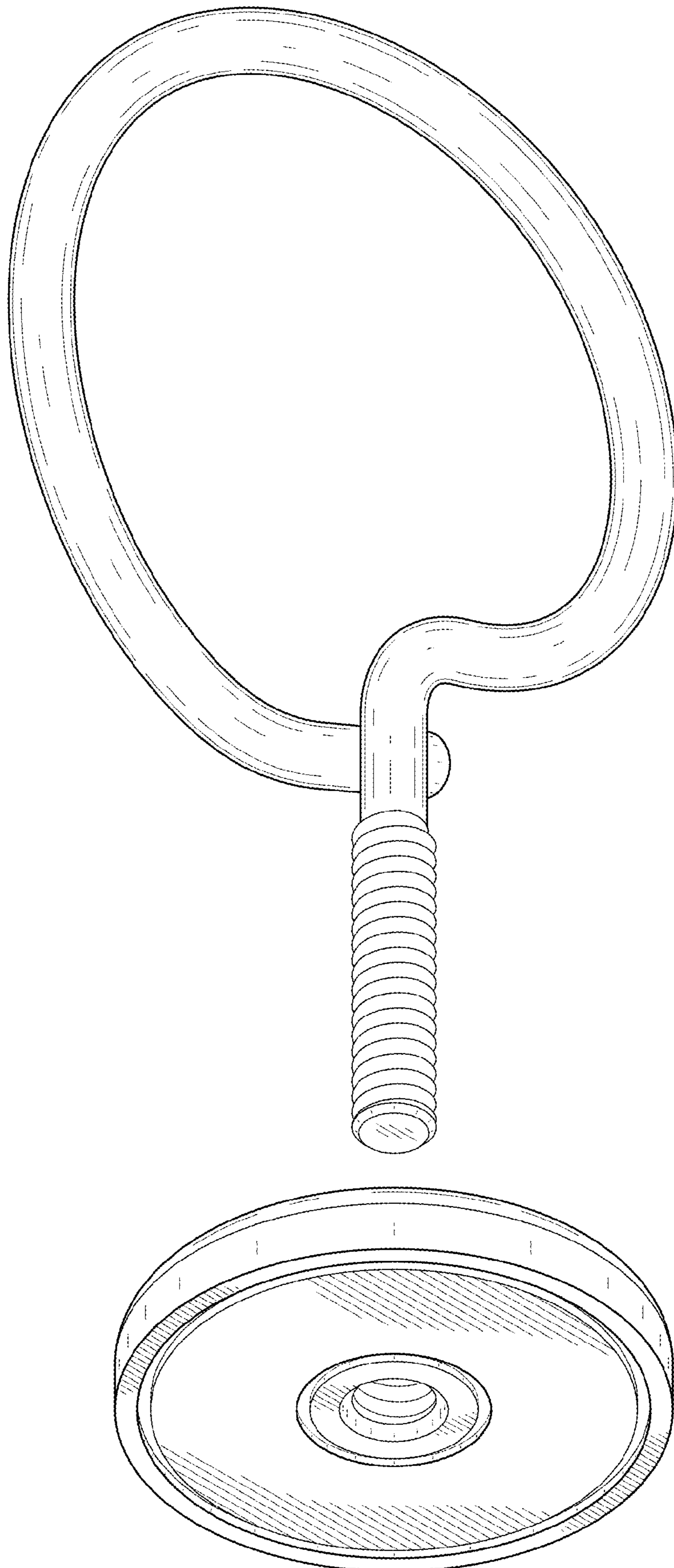


FIG. 10