



US00D917265S

(12) **United States Design Patent**
Zhong

(10) **Patent No.:** **US D917,265 S**

(45) **Date of Patent:** **** Apr. 27, 2021**

(54) **REEL**

(71) Applicant: **Shaohua Zhong**, Guangdong (CN)

(72) Inventor: **Shaohua Zhong**, Guangdong (CN)

(**) Term: **15 Years**

(21) Appl. No.: **29/751,024**

(22) Filed: **Sep. 17, 2020**

(30) **Foreign Application Priority Data**

Aug. 13, 2020 (EM) 008111264-0001

Aug. 13, 2020 (EM) 008111264-0002

(51) **LOC (13) Cl.** **08-05**

(52) **U.S. Cl.**

USPC **D8/359**

(58) **Field of Classification Search**

USPC D8/375, 358, 359, 356; D22/140

CPC B65H 2701/34; B65H 2701/32

See application file for complete search history.

(56) **References Cited**

U.S. PATENT DOCUMENTS

D233,411 S * 10/1974 Geisler D8/359

D285,901 S * 9/1986 Gustavsson D8/358

D355,584 S 2/1995 Clivio
D570,573 S * 6/2008 Arcati D34/24
D586,202 S * 2/2009 Zhang D8/359
D586,203 S * 2/2009 Zhang D8/359
D664,026 S * 7/2012 Zalzalal D8/359
D854,402 S * 7/2019 Thuma D8/359
D879,594 S 3/2020 Boies et al.

* cited by examiner

Primary Examiner — Eliza Z Bennett-Hattan

(74) *Attorney, Agent, or Firm* — JCIP Global Inc.

(57) **CLAIM**

The ornamental design for a reel, as shown and described.

DESCRIPTION

FIG. 1 is a perspective view of a first embodiment of a reel showing my new design;

FIG. 2 is a front view thereof;

FIG. 3 is a rear view thereof;

FIG. 4 is a left side view thereof;

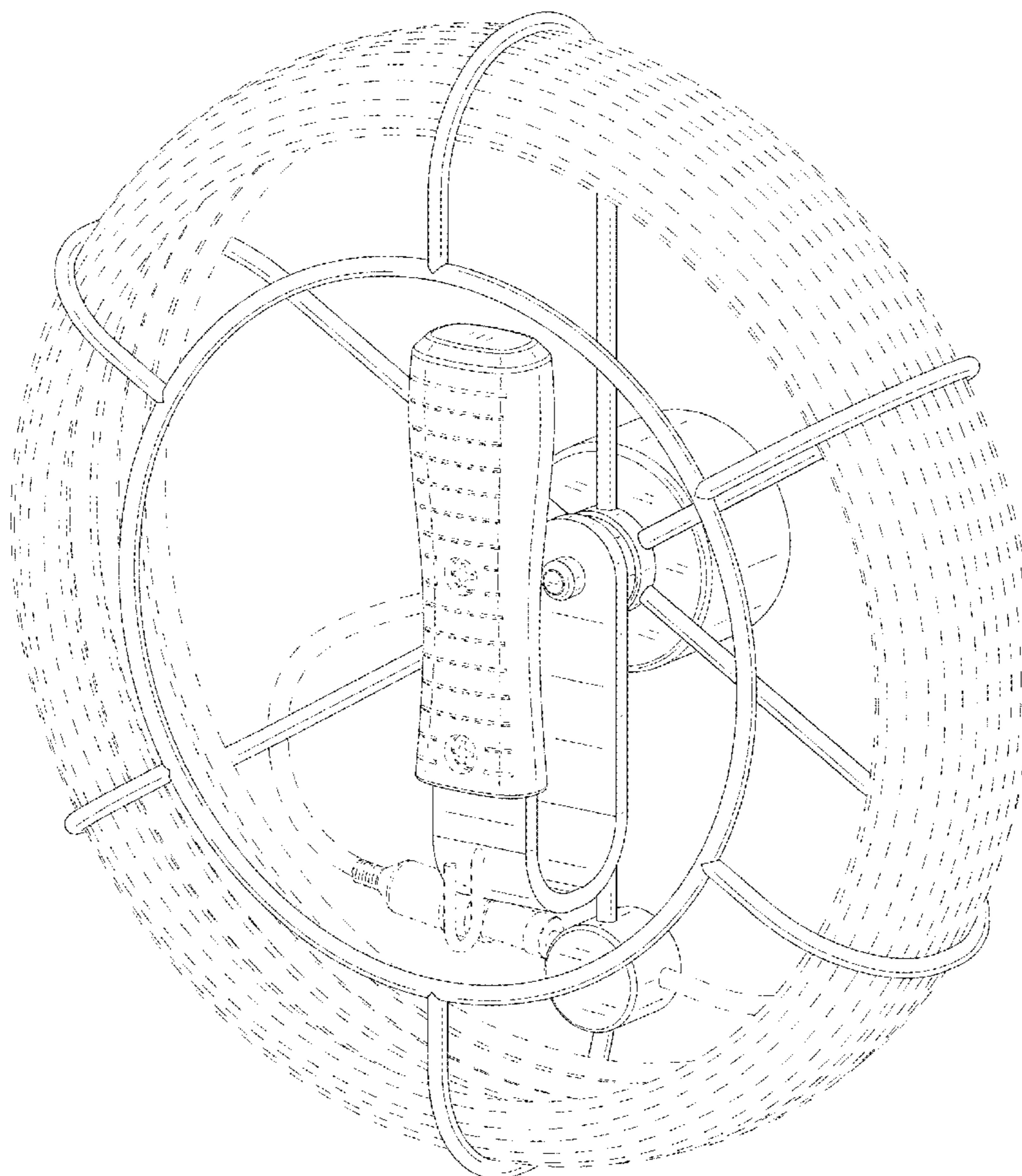
FIG. 5 is a right side view thereof;

FIG. 6 is a top view thereof; and,

FIG. 7 is a bottom view thereof.

The broken line portions of the reel in FIGS. 1-7 represent unclaimed portions of the claimed design and form no part thereof.

1 Claim, 6 Drawing Sheets



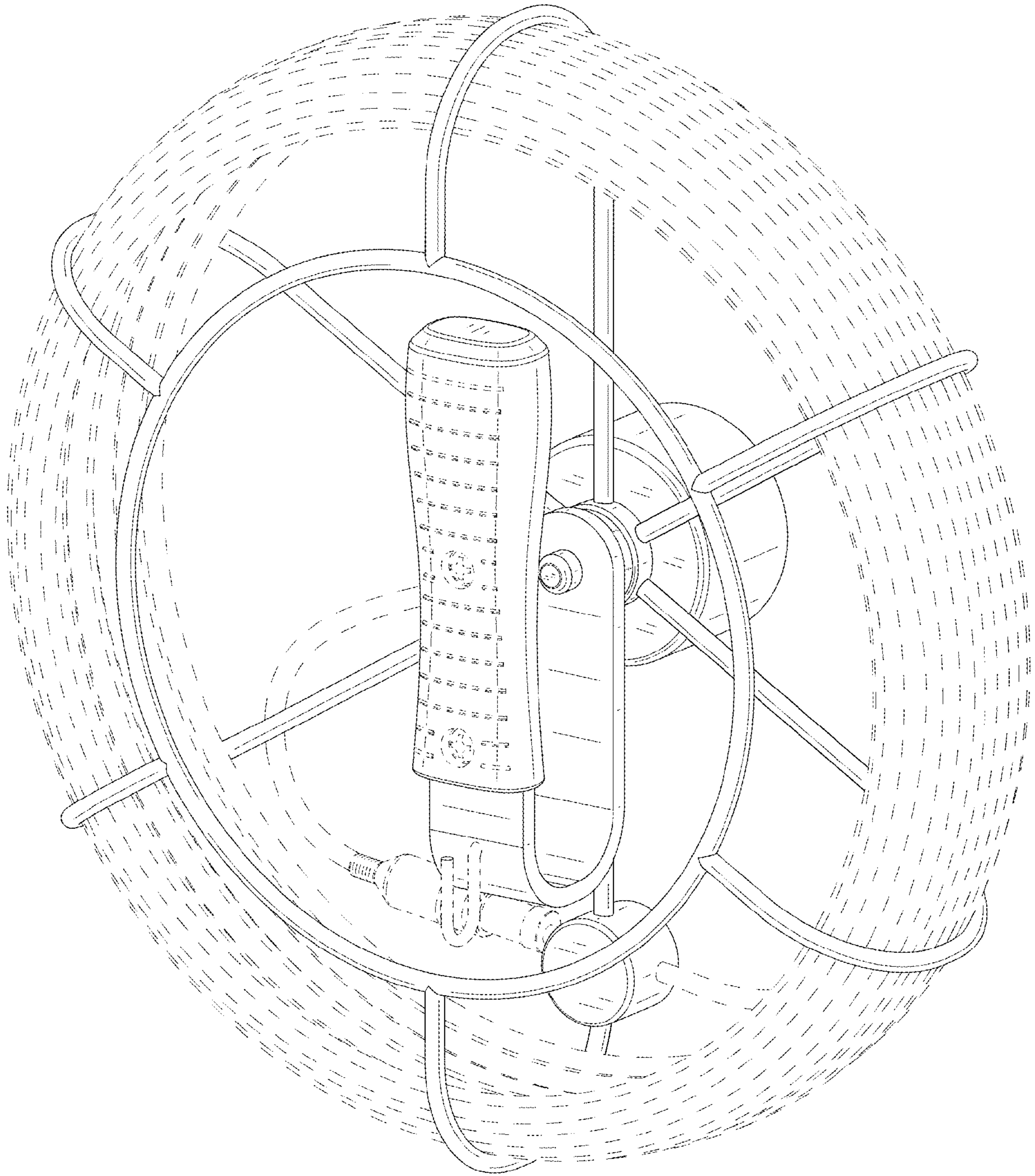


FIG. 1

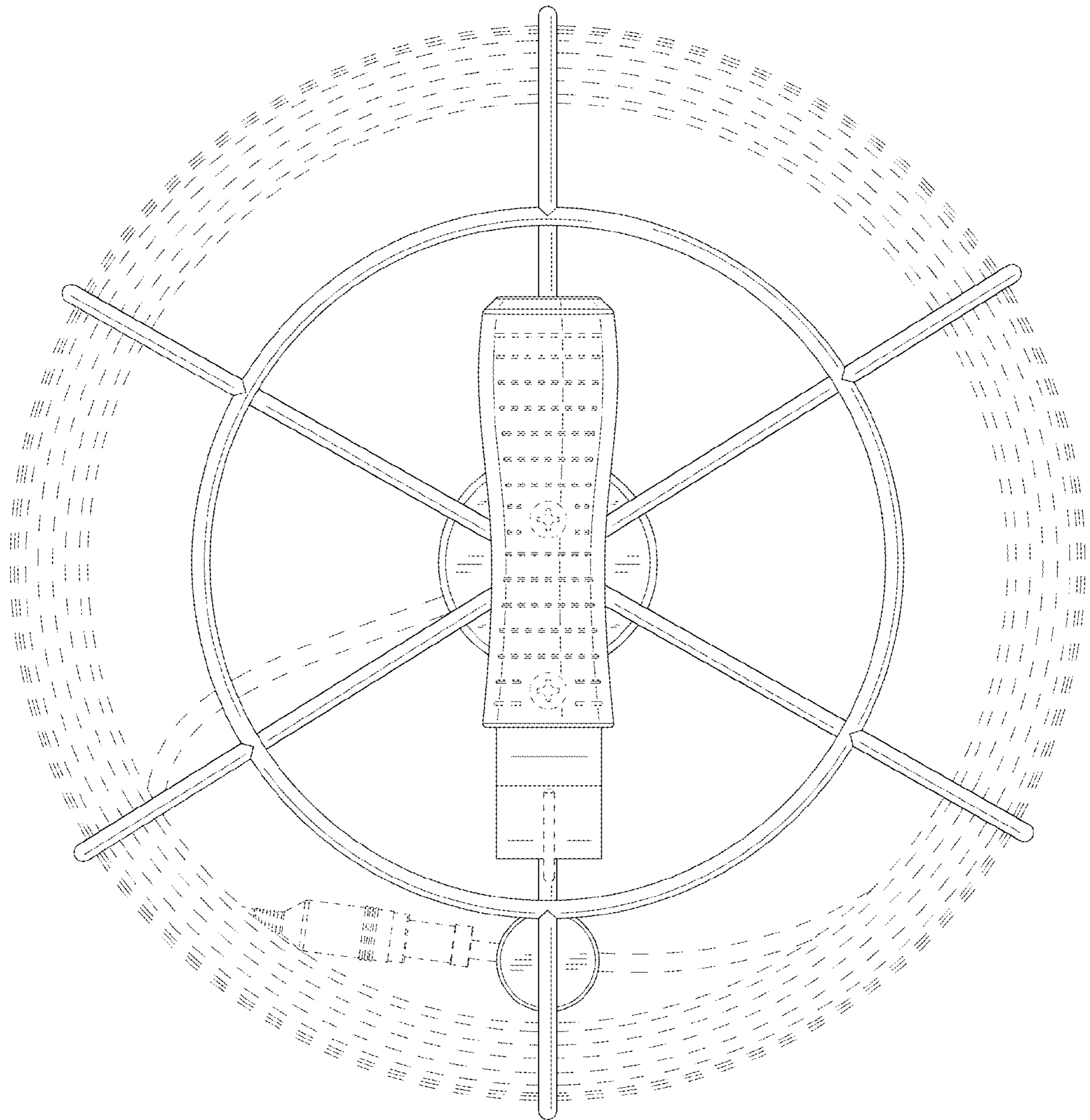


FIG. 2

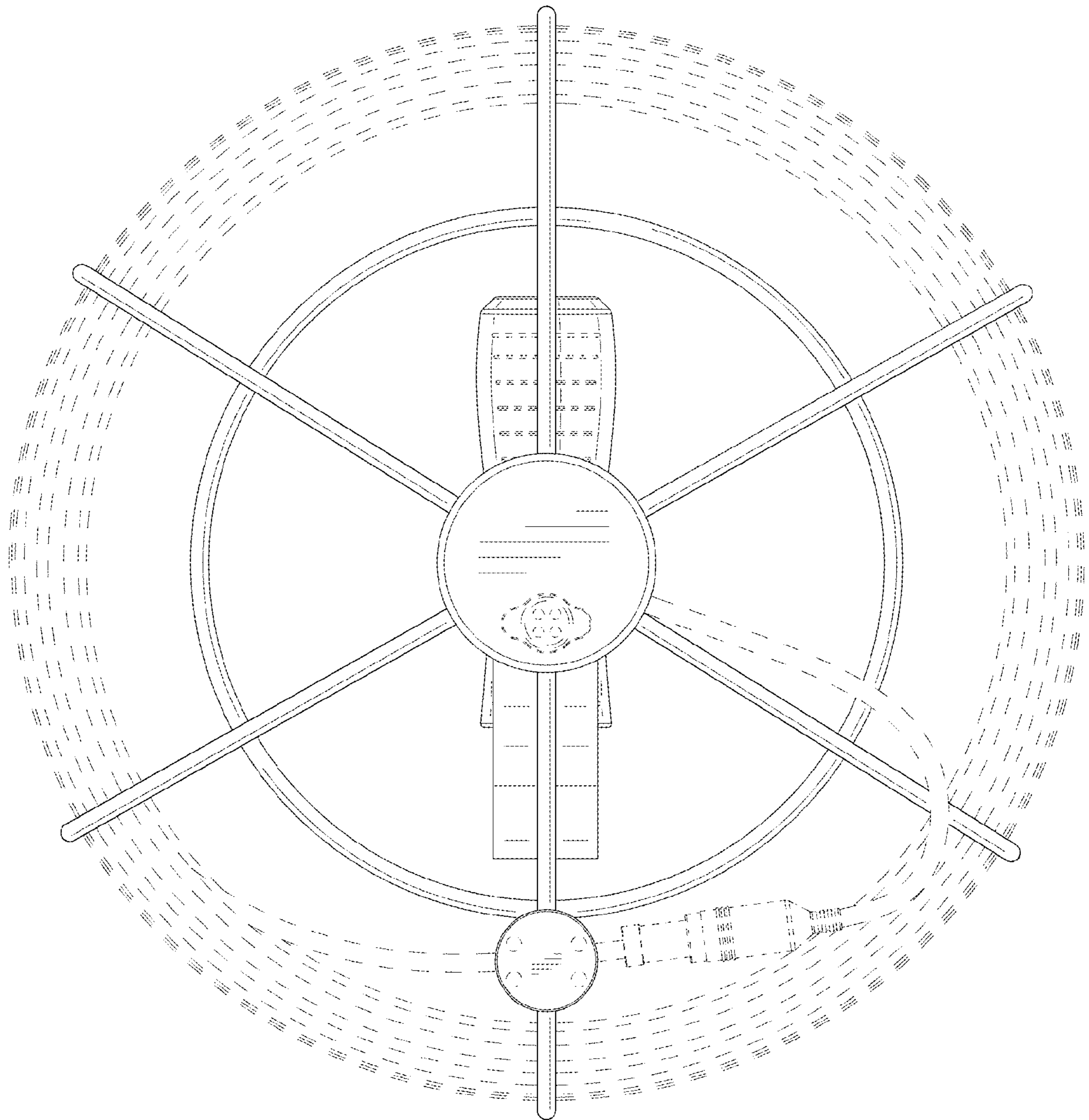


FIG. 3

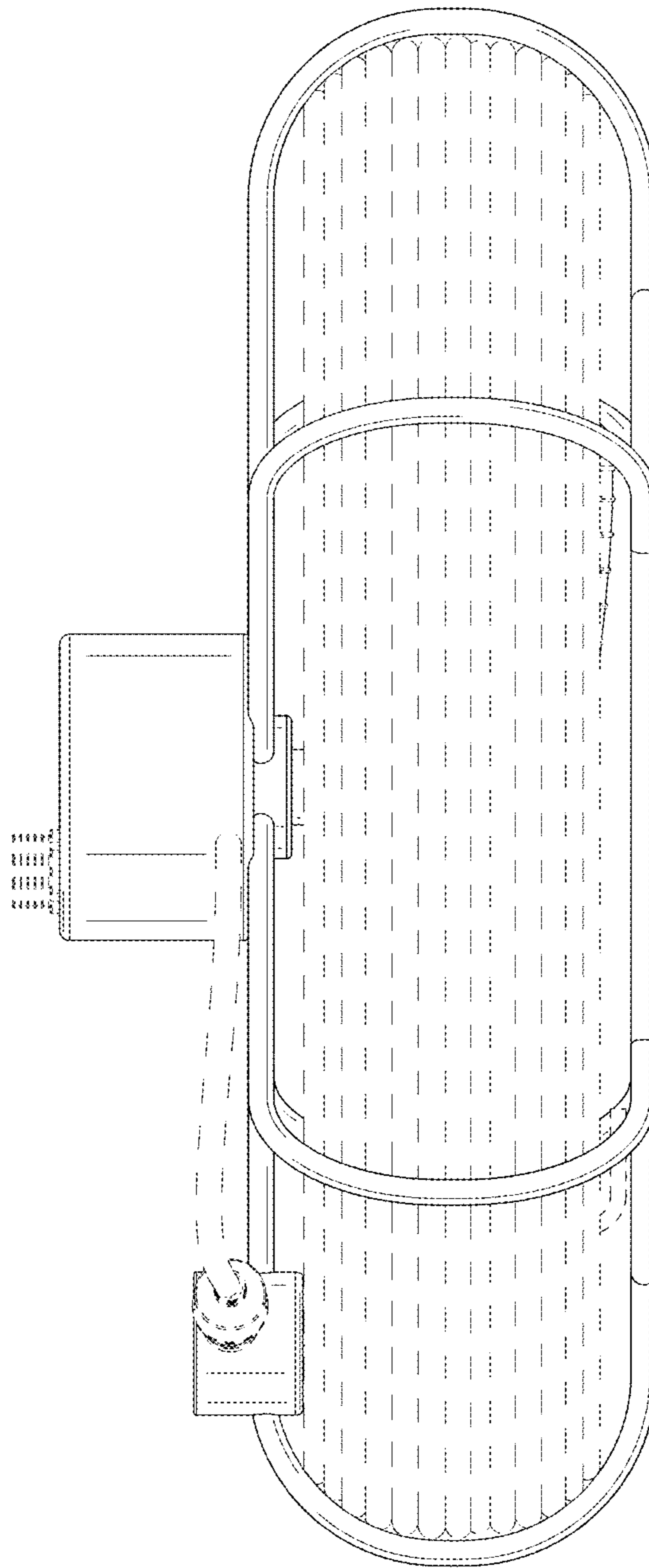


FIG. 4

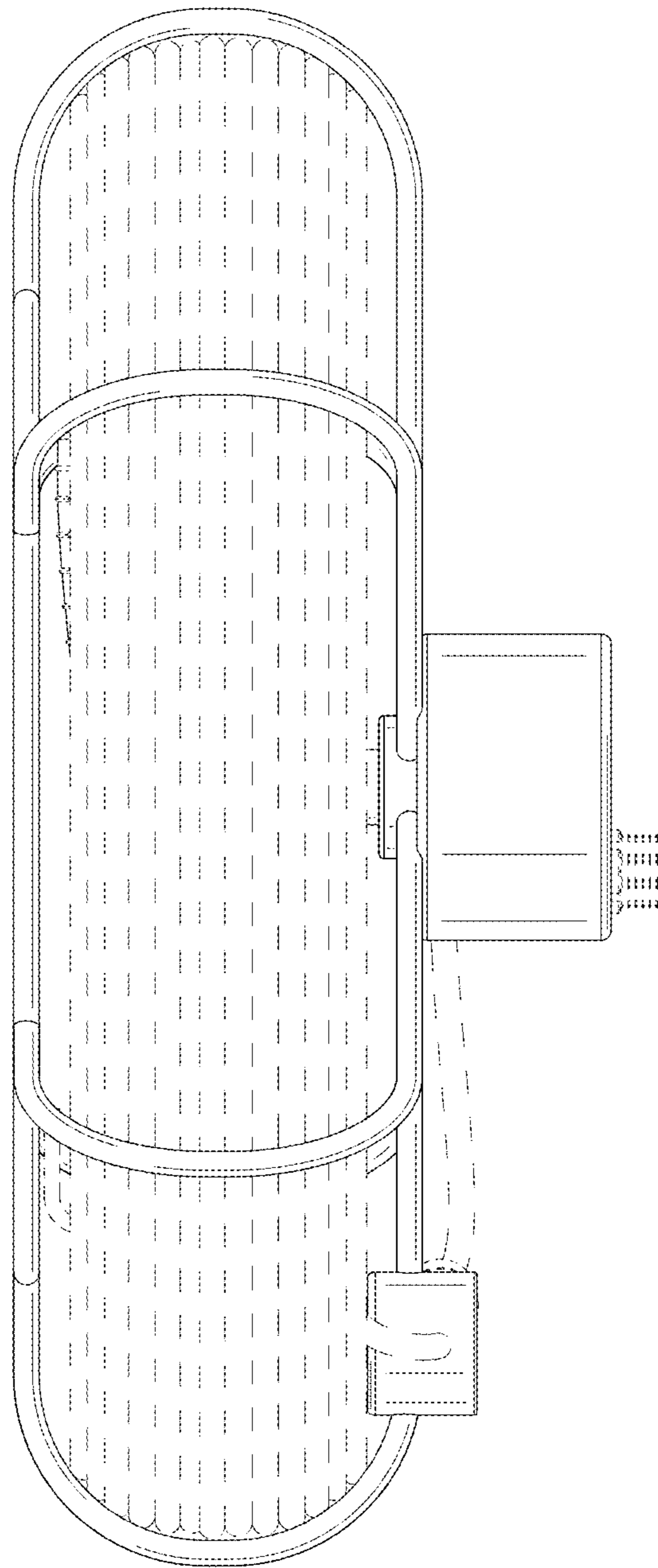


FIG. 5

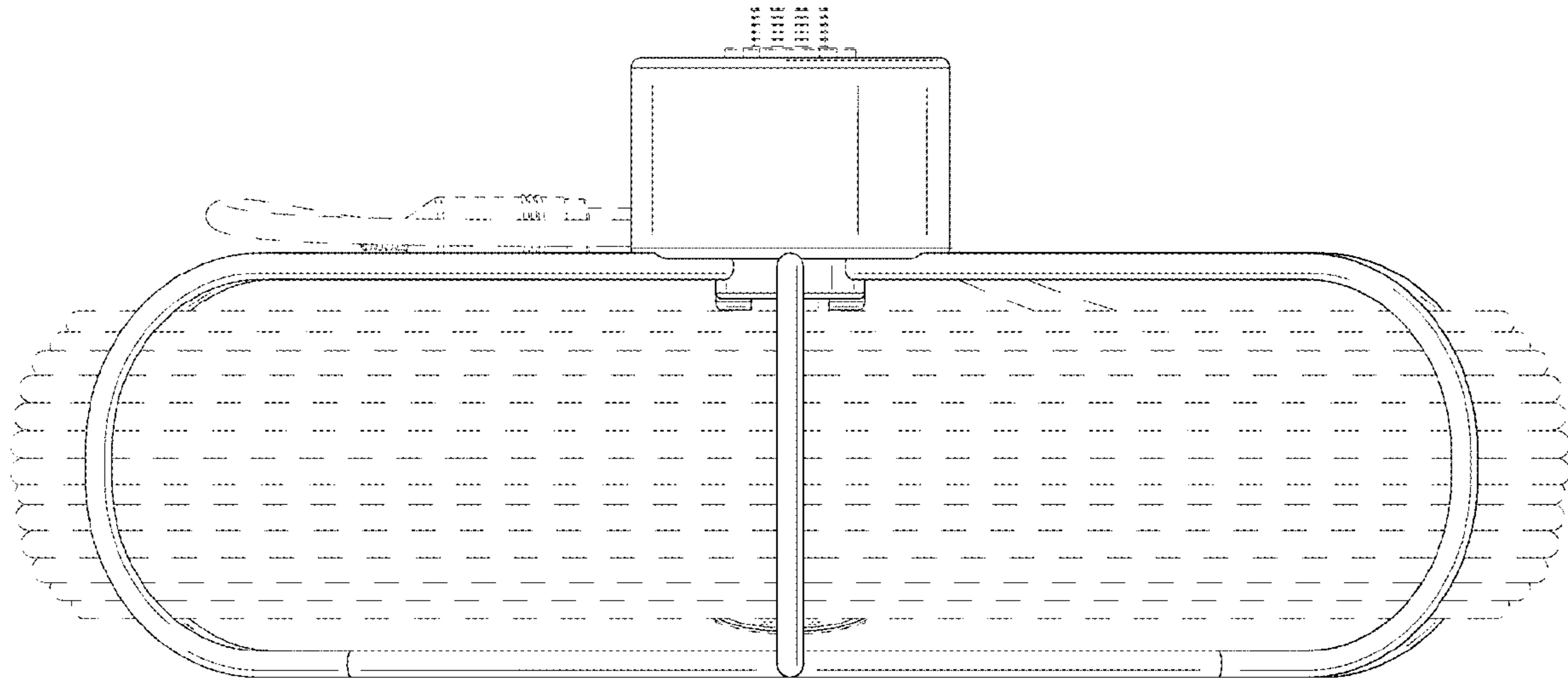


FIG. 6

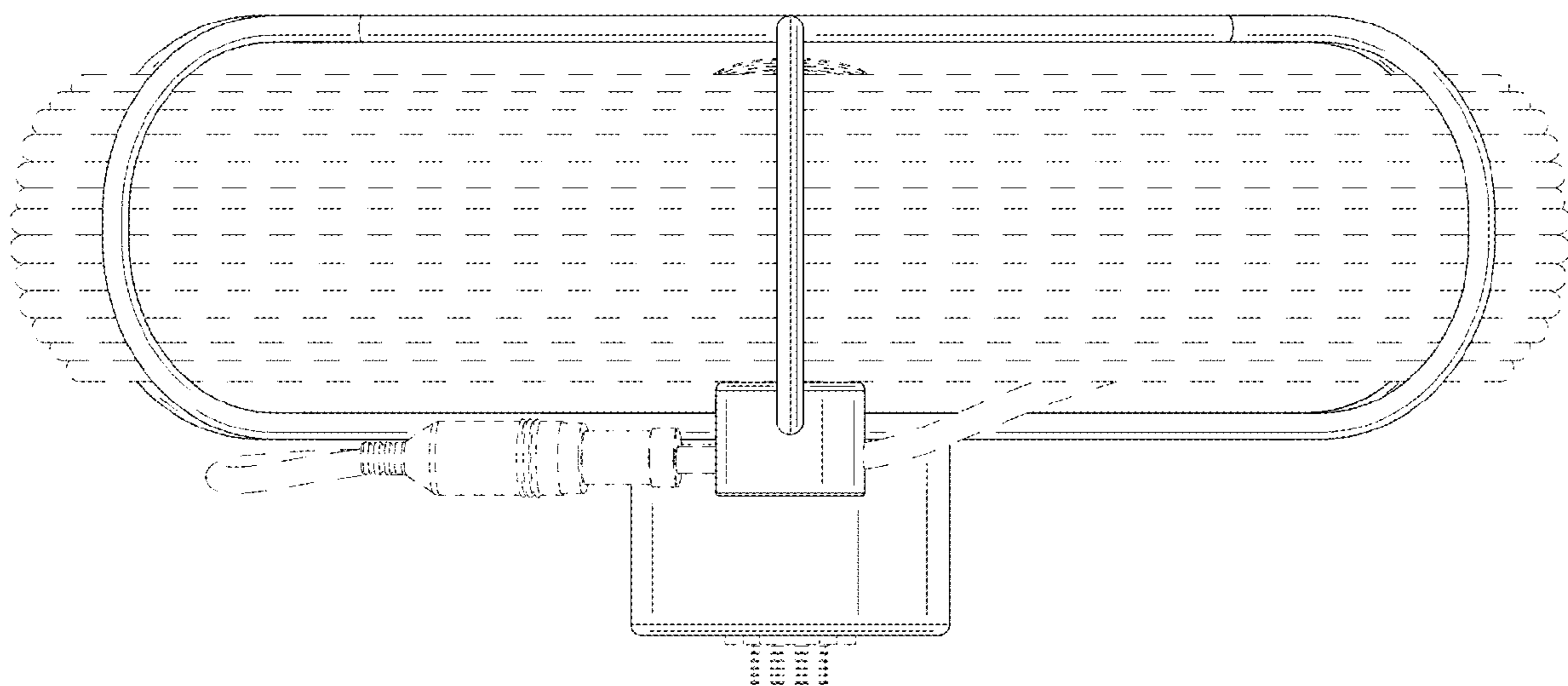


FIG. 7



US00D917265C1

(12) **EX PARTE REEXAMINATION CERTIFICATE** (12403rd)
United States Patent
Zhong

(10) **Number:** **US D917,265 C1**
(45) **Certificate Issued:** **Sep. 14, 2023**

(54) **REEL**

(71) Applicant: **Shaohua Zhong**, Guangdong (CN)

(72) Inventor: **Shaohua Zhong**, Guangdong (CN)

Reexamination Request:

No. 90/014,914, Dec. 22, 2021

Reexamination Certificate for:

Patent No.: **Des. 917,265**

Issued: **Apr. 27, 2021**

Appl. No.: **29/751,024**

Filed: **Sep. 17, 2020**

(51) **LOC (14) Cl.** **08-05**

(52) **U.S. Cl.**

USPC **D8/359**

(58) **Field of Classification Search**

USPC D8/356, 358, 359

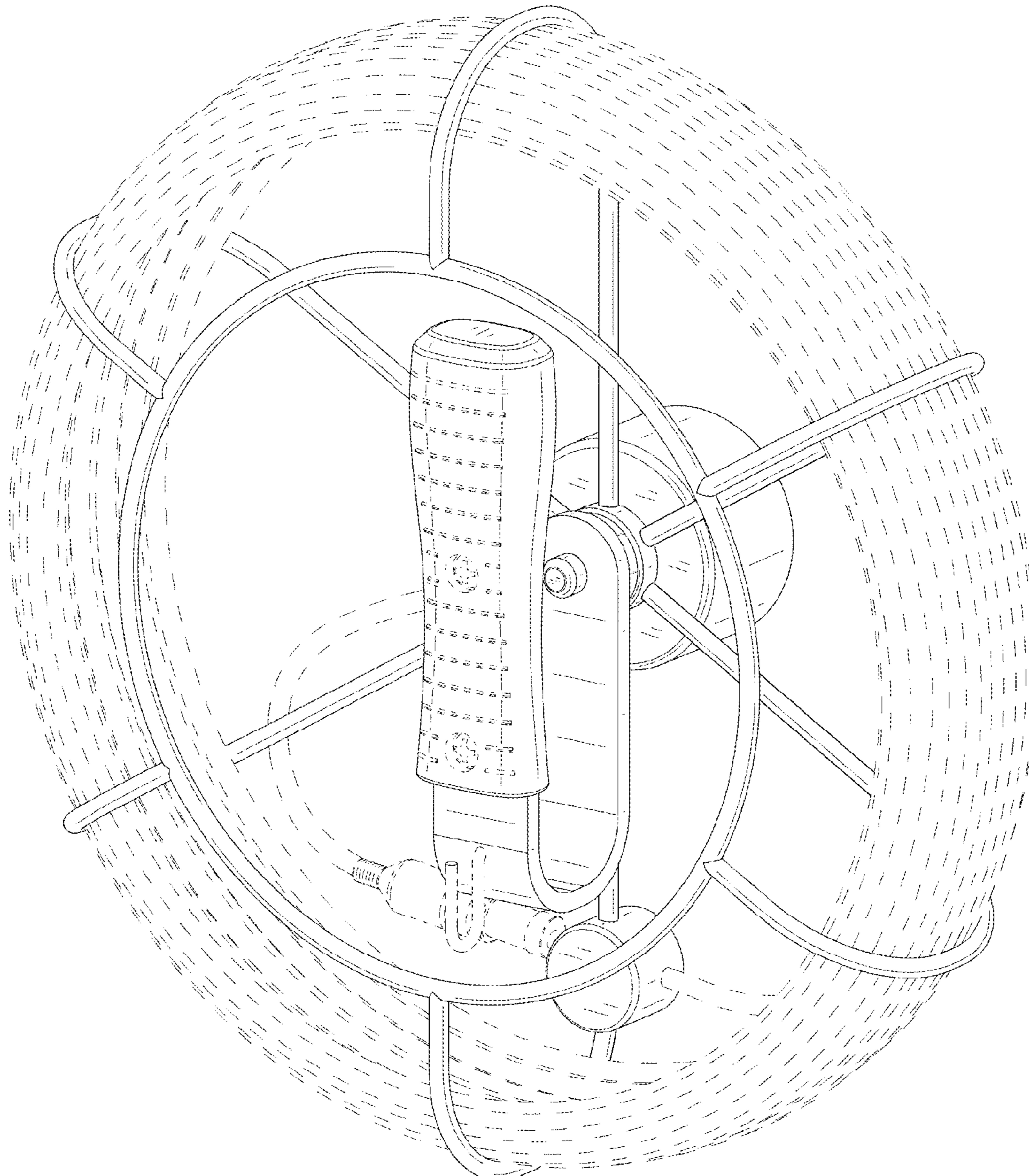
CPC H02G 11/02

See application file for complete search history.

(56) **References Cited**

To view the complete listing of prior art documents cited during the proceeding for Reexamination Control Number 90/014,914, please refer to the USPTO's Patent Electronic System.

Primary Examiner — Brett Miller



1
EX PARTE
REEXAMINATION CERTIFICATE

THE PATENT IS HEREBY AMENDED AS
INDICATED BELOW.

5

AS A RESULT OF REEXAMINATION, IT HAS BEEN
DETERMINED THAT:

The claim 1 is cancelled.

10

* * * * *