

US00D917263S

(12) **United States Design Patent** (10) **Patent No.:** **US D917,263 S**  
**Kennedy** (45) **Date of Patent:** **\*\* Apr. 27, 2021**

(54) **FASTENER ASSEMBLY**

(71) Applicant: **Feltro Inc.**, Toronto (CA)  
(72) Inventor: **Samuel Kennedy**, Toronto (CA)  
(73) Assignee: **FELTRO INC.**, Toronto (CA)  
(\*\*) Term: **15 Years**

(21) Appl. No.: **29/679,356**

(22) Filed: **Feb. 5, 2019**

(51) **LOC (13) Cl.** ..... **08-08**

(52) **U.S. Cl.**

USPC ..... **D8/349**

(58) **Field of Classification Search**

USPC ..... D8/354, 355, 363, 373-377, 356, 382,  
D8/331-332; D11/200, 220, 231;  
D12/223, 114

CPC .. A47F 5/00; A47H 1/10; A47G 29/00; A47G  
29/08; A47B 97/00; A47K 3/14; H02J  
7/0026; H02J 7/0021; H02J 7/0027;  
Y02E 60/12; H01R 13/72; A61M 5/1418

See application file for complete search history.

(56) **References Cited**

**U.S. PATENT DOCUMENTS**

168,063 A 9/1875 Taylor  
3,637,217 A 1/1972 Kent  
3,687,455 A 8/1972 Odier  
4,182,063 A 1/1980 Klosel  
4,227,334 A 10/1980 Hooker

(Continued)

**FOREIGN PATENT DOCUMENTS**

CA 2051905 C 4/1998  
CA 2366583 C 4/2008

(Continued)

**OTHER PUBLICATIONS**

Squashblox, online: <http://daydreamtoy.com/our-toys/squashblox/>.

(Continued)

*Primary Examiner* — Garth Rademaker

*Assistant Examiner* — Benjamin M Weeks

(74) *Attorney, Agent, or Firm* — Perry + Currier Inc.

(57) **CLAIM**

I claim the ornamental design for a fastener assembly, as shown and described.

**DESCRIPTION**

FIG. 1 is an exploded perspective view of the fastener assembly showing my new design having a first piece thereof separate from a second piece thereof;

FIG. 2 is a perspective view of the fastener assembly showing the first piece and the second piece joined together;

FIG. 3 is a bottom plan view of the first piece of the fastener assembly;

FIG. 4 is a top plan view of the first piece of the fastener assembly;

FIG. 5 is a side elevation view of the first piece of the fastener assembly;

FIG. 6 is a bottom plan view of a second piece of the fastener assembly;

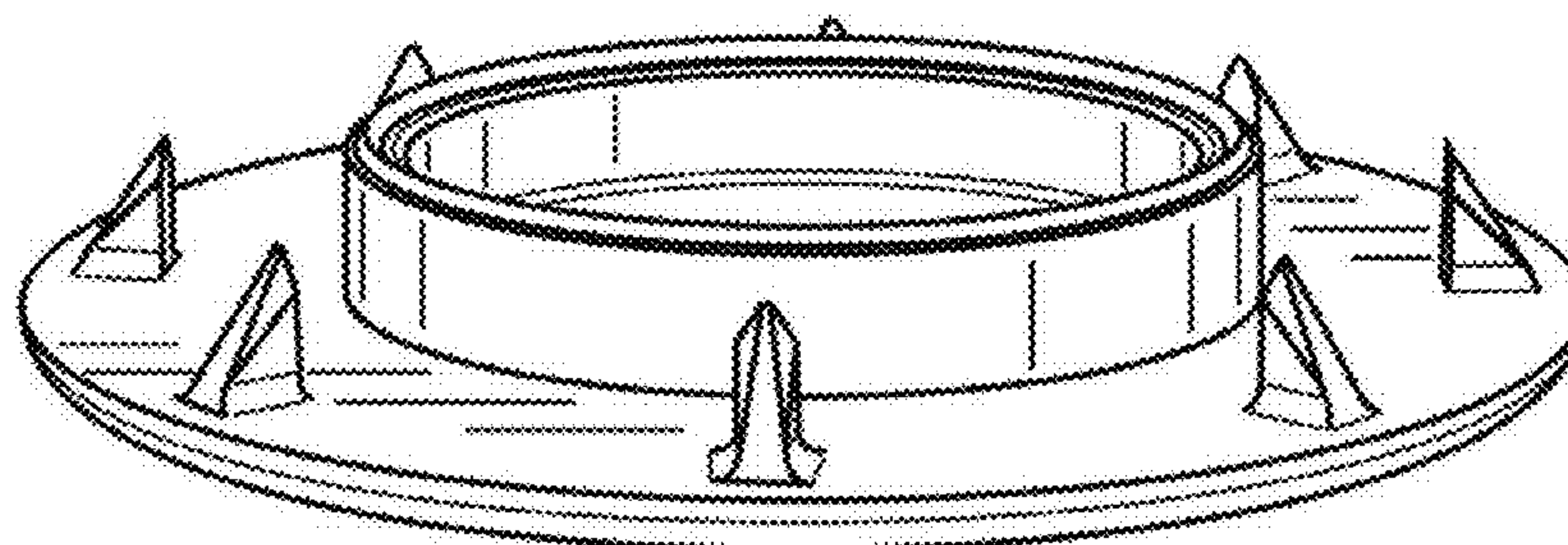
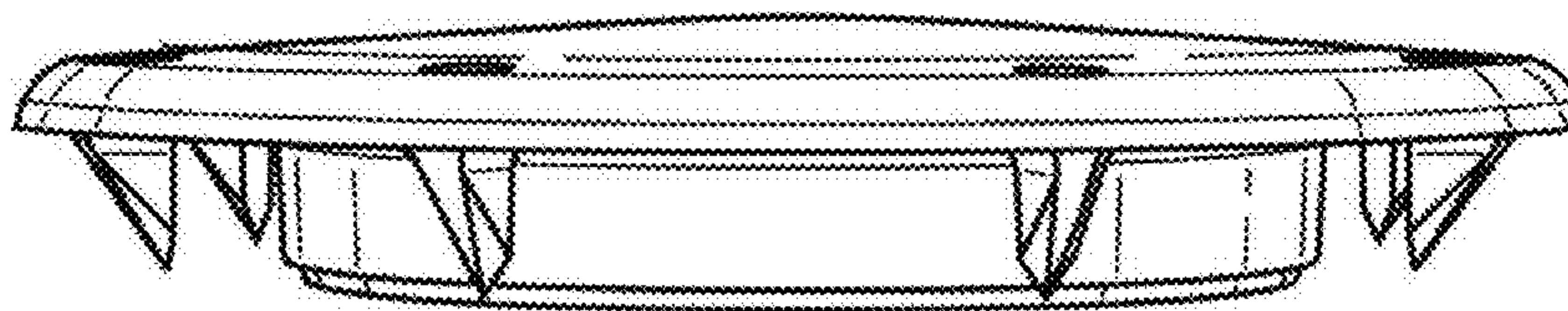
FIG. 7 is a top plan view of the second piece of the two-piece fastener assembly;

FIG. 8 is a side elevation view of the second piece of the two-piece fastener assembly; and,

FIG. 9 is a perspective view of the fastener assembly embedded in a panel.

The small dashed broken lines showing a panel and around the circular edge of the fastener assembly is included for the purpose of illustrating environmental subject matter only and form no part of the claimed design. The dot-dashed broken lines depict an environmental boundary for the claim and form no part of the claimed design.

**1 Claim, 9 Drawing Sheets**



(56)

References Cited

U.S. PATENT DOCUMENTS

4,265,002 A 5/1981 Hosken  
 4,343,471 A 8/1982 Calvert  
 4,674,982 A 6/1987 Mackey  
 4,676,507 A 6/1987 Patterson  
 4,736,494 A 4/1988 Marchesi  
 5,301,953 A 4/1994 Levin  
 D347,567 S \* 6/1994 Duffy ..... D8/354  
 D376,753 S \* 12/1996 Nakamura ..... D8/374  
 D377,143 S \* 1/1997 Schnabel ..... D8/354  
 5,762,529 A 6/1998 Nizza  
 5,819,448 A 10/1998 Kieves et al.  
 5,974,634 A 11/1999 Eisenpresser  
 6,718,670 B2 4/2004 Wang  
 7,104,864 B1 9/2006 Liou  
 D539,117 S \* 3/2007 Sealey ..... D8/349  
 D551,943 S \* 10/2007 Hodjat ..... D8/349  
 D560,469 S \* 1/2008 Bartol ..... D8/349  
 D569,064 S 5/2008 Hinder et al.  
 D609,552 S \* 2/2010 Anderson ..... D8/349  
 D623,500 S \* 9/2010 Langner ..... D8/349  
 8,016,636 B2 9/2011 Park  
 8,070,550 B2 12/2011 Song et al.  
 D682,662 S \* 5/2013 Bailey ..... D8/354  
 D696,930 S \* 1/2014 Rodenhouse ..... D8/399  
 8,631,517 B1 1/2014 Blakely  
 D699,545 S \* 2/2014 Ackerman ..... D8/349  
 D700,501 S \* 3/2014 Ackerman ..... D8/349  
 D713,705 S \* 9/2014 Mina ..... D8/68  
 8,850,683 B2 10/2014 Haughey et al.  
 9,238,180 B2 1/2016 Kennedy  
 D779,929 S \* 2/2017 Matus, Jr. .... D8/382  
 D823,733 S \* 7/2018 Reed ..... D12/114  
 D831,467 S \* 10/2018 Crichton ..... D8/356  
 D844,424 S \* 4/2019 MacDonald ..... D8/399  
 D873,647 S \* 1/2020 Malcolm ..... D8/349  
 D874,916 S \* 2/2020 Wigboldy ..... D8/399  
 D880,986 S \* 4/2020 Lee ..... D8/354  
 D885,866 S \* 6/2020 Chapman ..... D8/349  
 D885,867 S \* 6/2020 Chapman ..... D8/349

D889,934 S \* 7/2020 Hines, III ..... D8/349  
 D892,598 S \* 8/2020 Gebhardt ..... D8/354  
 2009/0133342 A1 5/2009 Copeland  
 2013/0112355 A1 5/2013 Roth et al.  
 2014/0256210 A1 9/2014 Johnson  
 2015/0104993 A1 4/2015 Kennedy

FOREIGN PATENT DOCUMENTS

CA 2670298 A1 5/2008  
 CA 2692560 A1 1/2009

OTHER PUBLICATIONS

PowerCiix, online: <http://www.guidecraft.com/products/633637>.  
 Soft Foam Magnets, online: <http://www.learningresources.com/product/soft+foam+magnetic+rainbow-fraction-174-+tiles.do#>.  
 MetroMags, online: <http://www.amazon.com/Metro-Mags-Clear-Colors-Piece/dp/B00A29U2TS> (Undated).  
 Moonish, online: <http://www.moonishco.com/>.  
 Mosaic Geometric self-adhesive foam shapes, Oriental Trading Company, reviewed Aug. 5, 2010, [online], [retrieved on May 16, 2015] Retrieved from Google search.  
 Non-Final Rejection dated May 28, 2015 for related U.S. Appl. No. 14/055,333.  
 Foam Fun!, online: <http://www.amazon.com/Foam-Fun-Magnets-Pattern-Blocks/dp/80015KGFQM>.  
 Fractiles, online: <http://www.fractiles.com/>.  
 Kvadratclouds.com, "Clouds, Unique Design, Uniquely You—Designed by Ronan and Erwan Bouroullec, Presented By Kvadrat". (2009) Retrieved from <http://web.archive.org/web/20090119080742/http://www.kvadratclouds.com/>, on Jul. 22, 2015.  
 Imaginarium, online: <http://www.imaginarium.ie/magnetic-construction-pieces-50065.htm>.  
 Magformers, online: <http://www.mastermindtoys.com/Magformers.aspx>.  
 Magna-Tiles, online: <http://www.magnatiles.com/>.  
 Magnetic Art, online: <http://www.educationalinsights.com/product/magnetic+art.do>.

\* cited by examiner



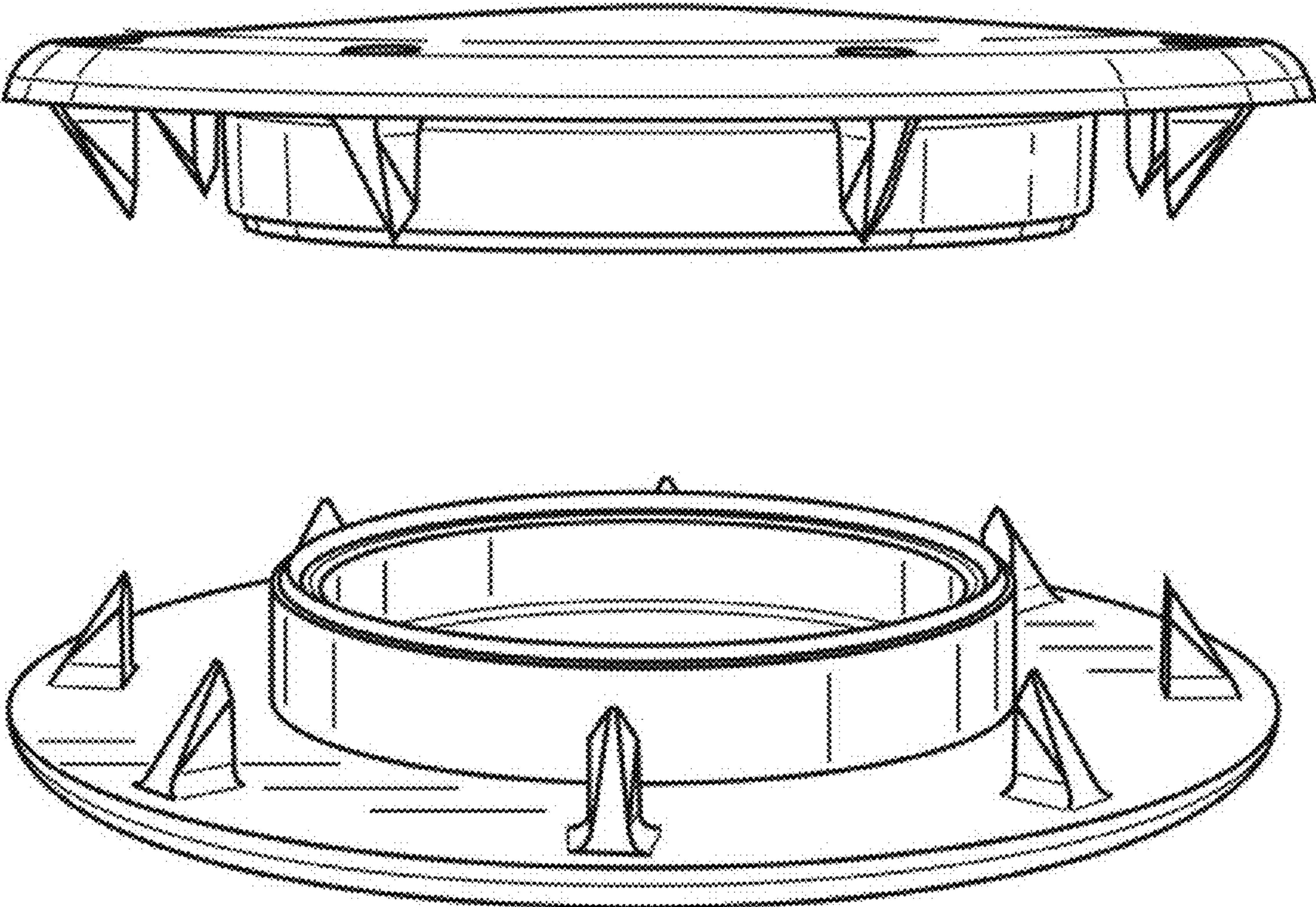


FIG. 1

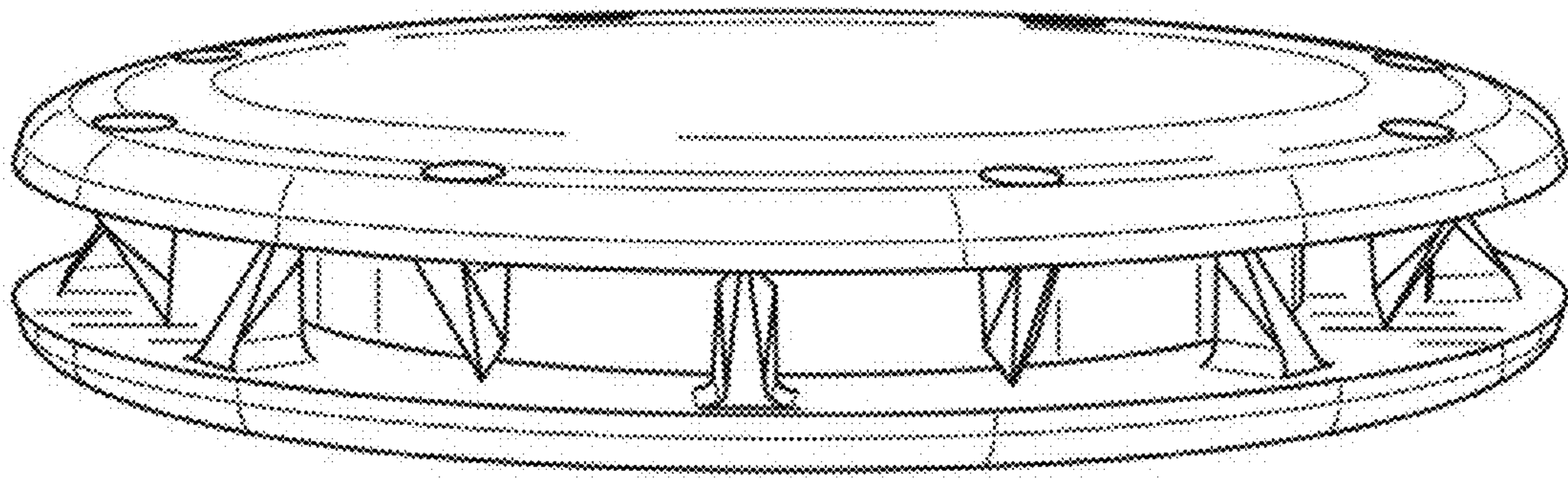


FIG. 2

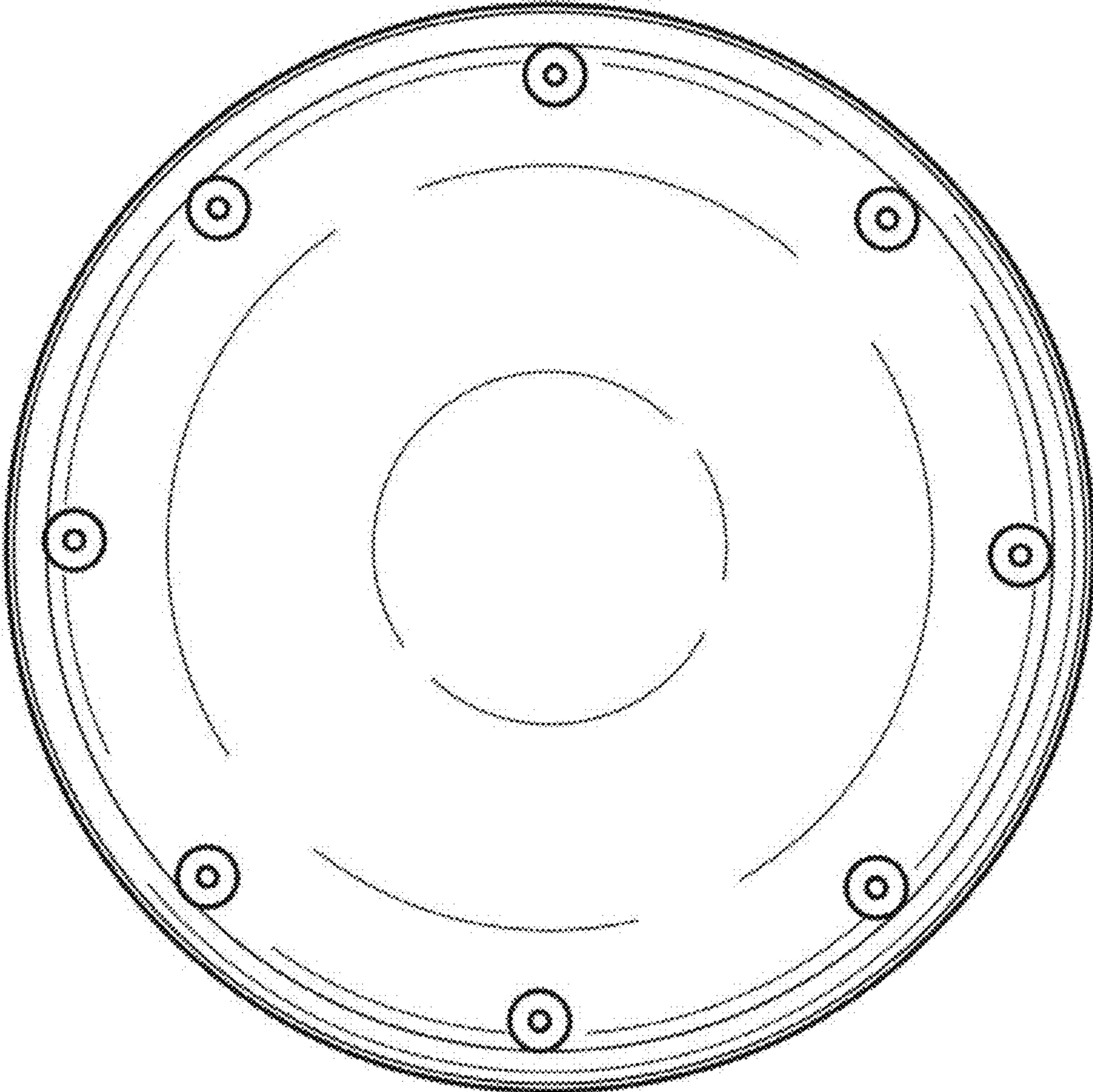


FIG. 3



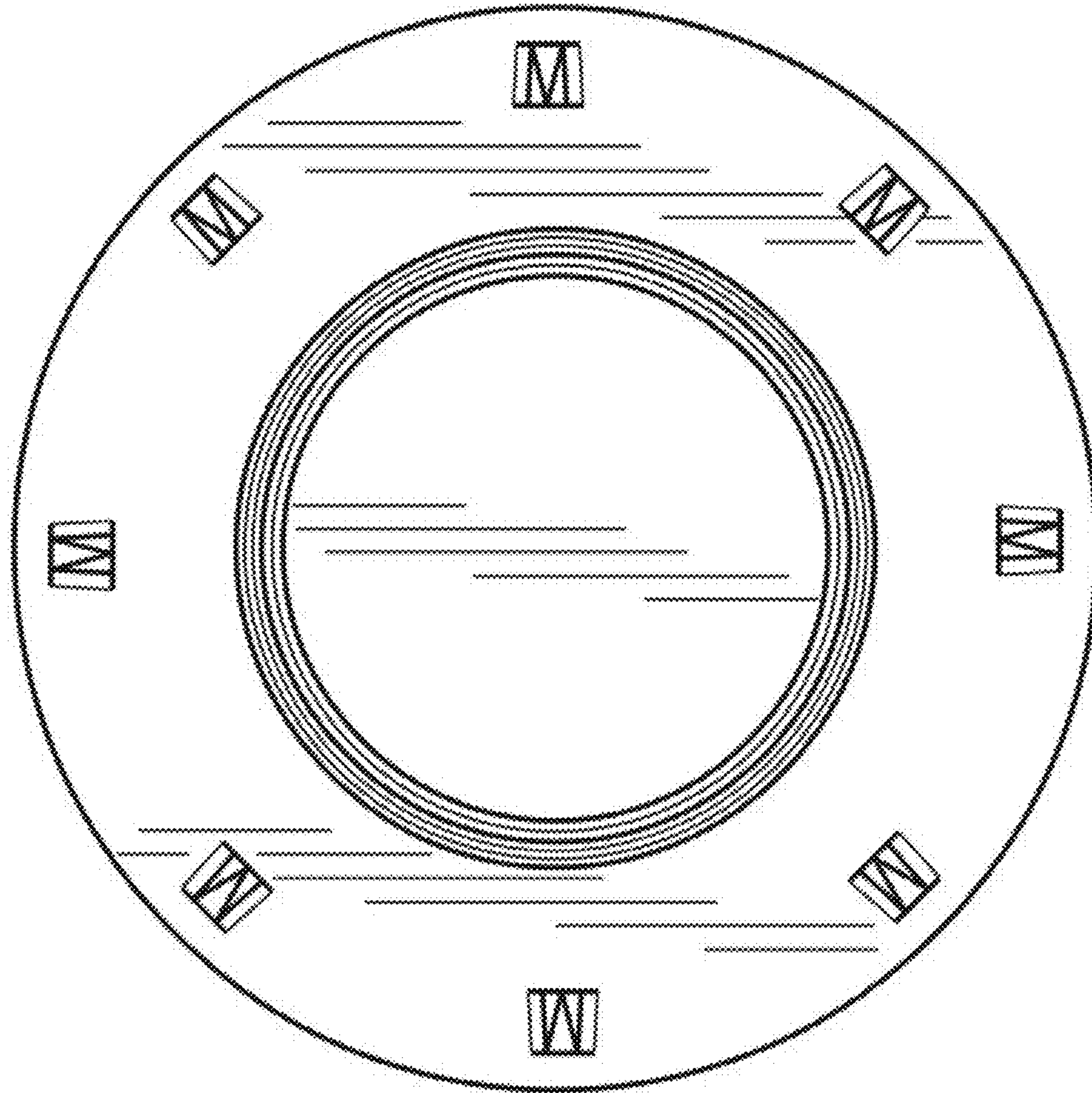


FIG. 4

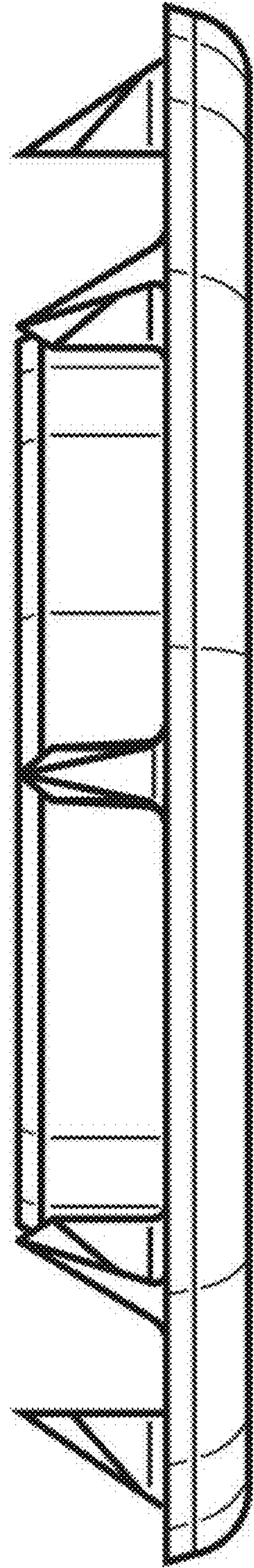


FIG. 5

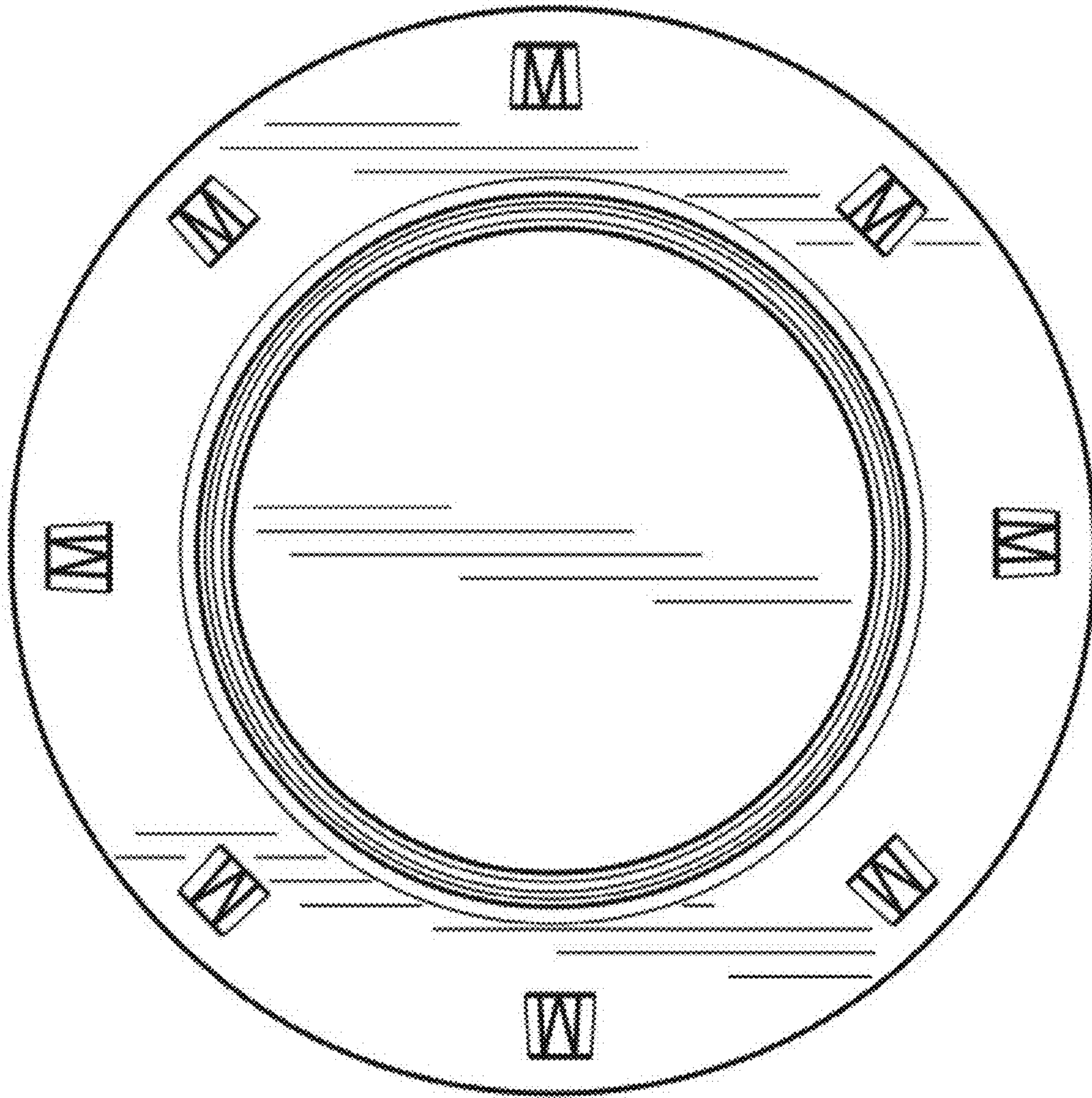


FIG. 6



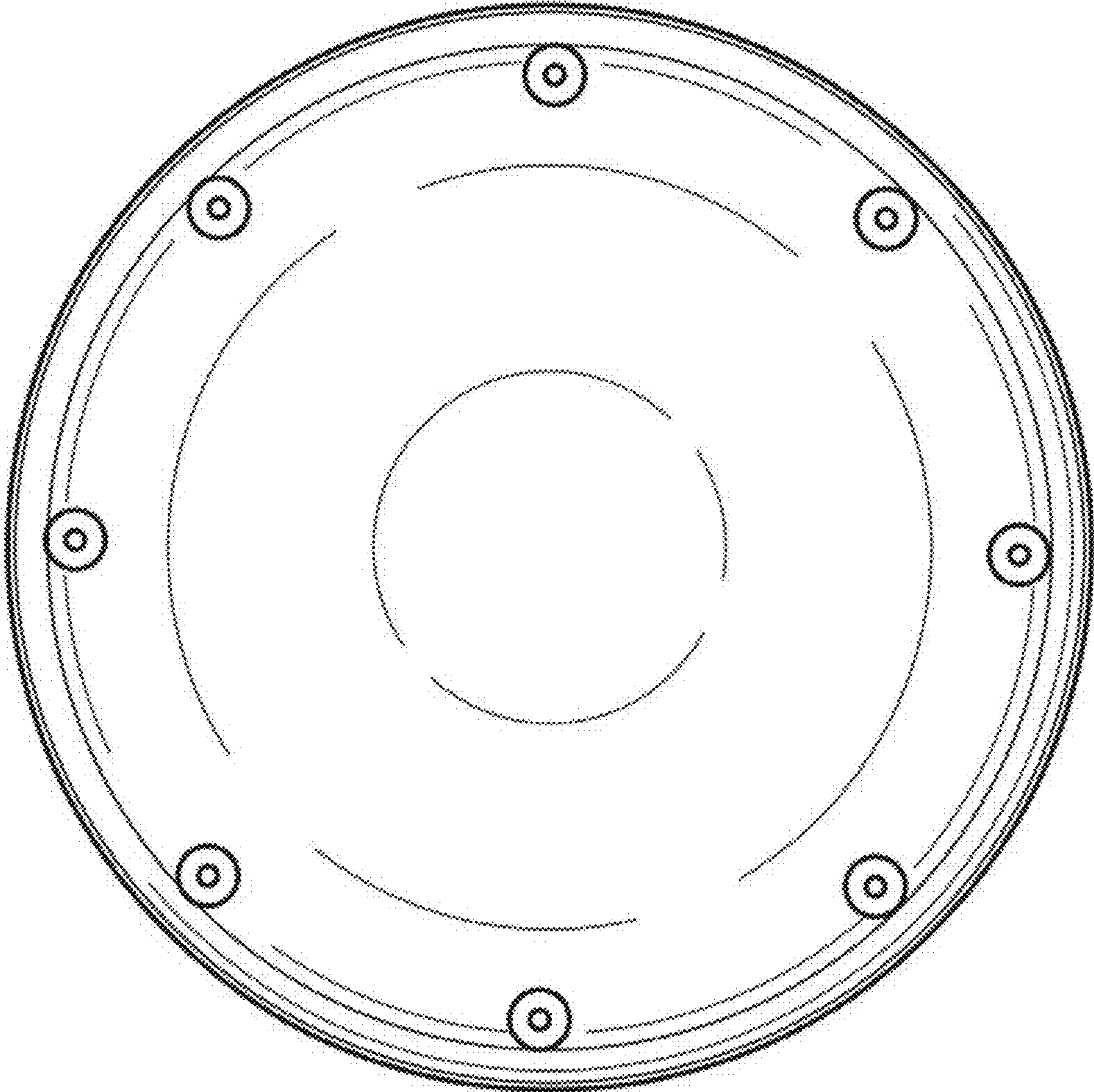


FIG. 7

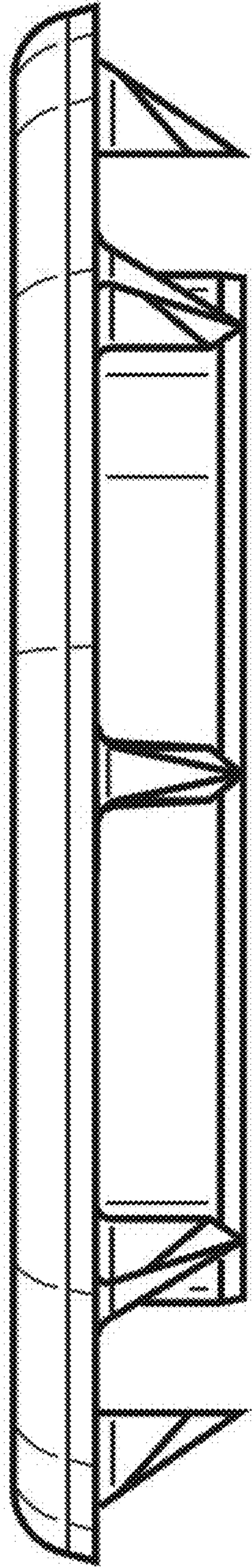


FIG. 8

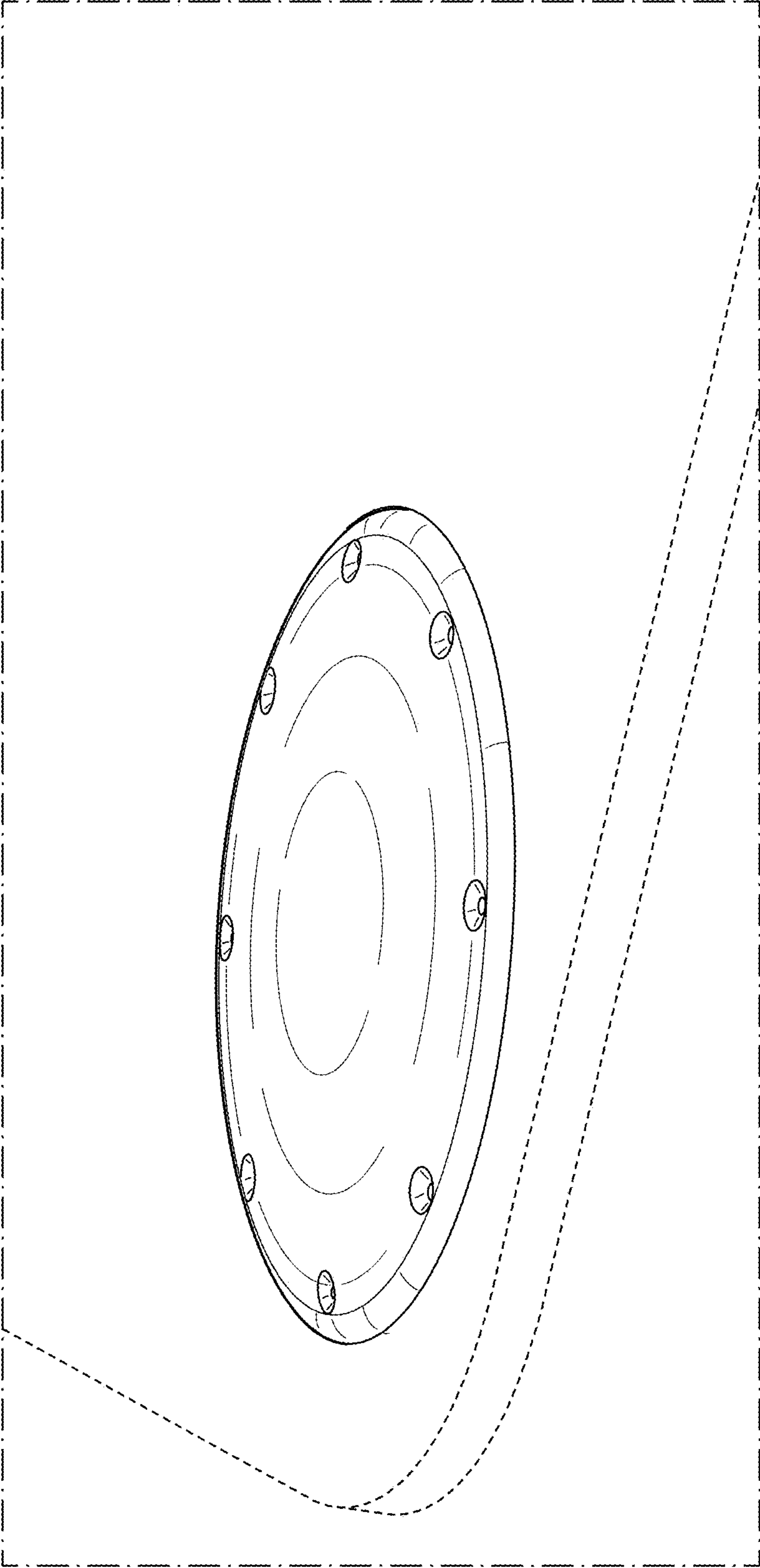


FIG. 9