



US00D917262S

(12) **United States Design Patent**
King, Jr.

(10) **Patent No.:** **US D917,262 S**
(45) **Date of Patent:** **** Apr. 27, 2021**

- (54) **HAMMER RECEIVER**
- (71) Applicant: **Skitter & Squirt Adventures, LLC**,
Missoula, MT (US)
- (72) Inventor: **Jack M King, Jr.**, Phoenix, AZ (US)
- (73) Assignee: **Skitter & Squirt Adventures, LLC**,
Missoula, MT (US)
- (**) Term: **15 Years**
- (21) Appl. No.: **29/645,213**
- (22) Filed: **Apr. 24, 2018**
- (51) **LOC (13) Cl.** **08-07**
- (52) **U.S. Cl.**
USPC **D8/339**
- (58) **Field of Classification Search**
USPC D8/70, 71, 72, 105, 330, 331, 339, 344,
D8/394; D15/28, 138, 141, 147
CPC B25D 17/32; B25D 17/043; B25D 17/04;
B25D 2222/69; B25D 2222/57; B25D
2222/03; B25D 2217/0057; B25D
2217/0073; E04G 23/006
See application file for complete search history.

- (56) **References Cited**
U.S. PATENT DOCUMENTS
2,465,192 A * 3/1949 Booth E04G 23/006
299/37.4
4,009,908 A * 3/1977 Alinder E04G 23/006
299/37.1
D279,378 S * 6/1985 Larsson D15/138
D342,882 S * 1/1994 Mann D8/72
D365,263 S * 12/1995 Sorensen D8/22
5,538,210 A * 7/1996 Ohmori F16L 3/04
248/222.12
D401,941 S * 12/1998 Slappey D14/253
D417,377 S * 12/1999 Blank D8/72
D417,378 S * 12/1999 Smith D8/72
D418,033 S * 12/1999 Svedberg D34/31

- 6,021,854 A * 2/2000 Scarola B25F 5/021
173/141
- D421,564 S * 3/2000 Fortune D8/394
- D429,984 S * 8/2000 Cummings D8/72
- D439,820 S * 4/2001 Yang D8/71
- D489,597 S * 5/2004 Fulcher D8/330
- (Continued)

OTHER PUBLICATIONS

Sleeve Puller Assembly Less 5 lb. Hammer, toolweb.com, <https://www.toolweb.com/otc1205.html> (Year: 2020).*

(Continued)

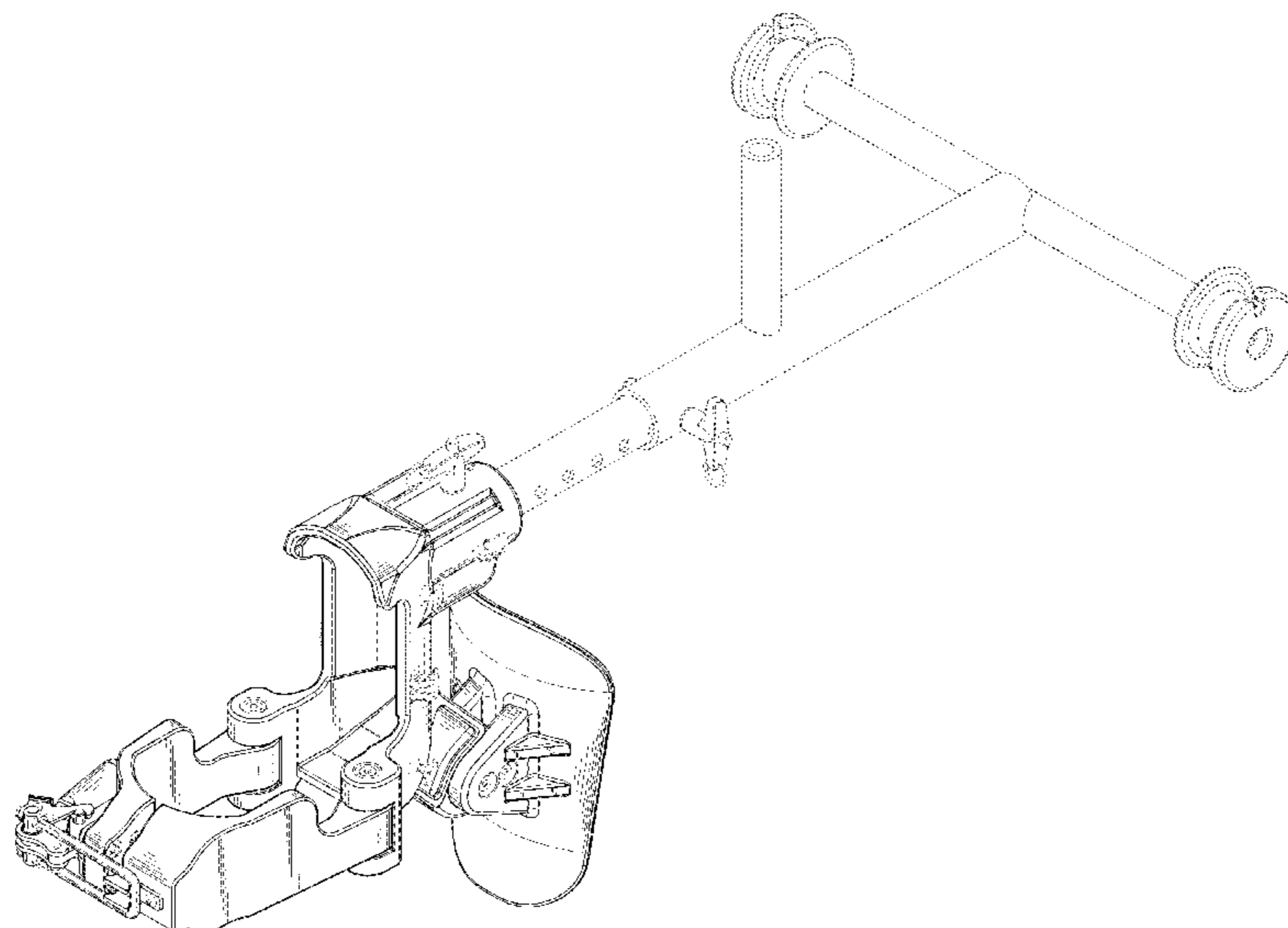
Primary Examiner — Steven J Czyz
(74) *Attorney, Agent, or Firm* — Lisa Foundation Patent Law Clinic at Arizona State University

(57) **CLAIM**
The ornamental design for a hammer receiver, ash shown and described.

DESCRIPTION

FIG. 1 is a perspective view of a hammer receiver as part of an adapter handle.
FIG. 2 is a left-side view of a hammer receiver as part of an adapter handle.
FIG. 3 is a right-side view of a hammer receiver as part of an adapter handle.
FIG. 4 is a bottom view of a hammer receiver as part of an adapter handle.
FIG. 5 is a top view of a hammer receiver as part of an adapter handle.
FIG. 6 is an exploded perspective view of the hammer receiver as part of the adapter handle.
FIG. 7 is a frontal perspective view of a hammer receiver; and,
FIG. 8 is a rear perspective view of a hammer receiver.
The broken lines depict portions of the article and environment that form no part of the claimed design.

1 Claim, 8 Drawing Sheets



(56)

References Cited

U.S. PATENT DOCUMENTS

6,786,556 B2 * 9/2004 Due B24B 7/186
299/36.1
D503,941 S * 4/2005 Andersen D15/131
D522,338 S * 6/2006 Heun D8/70
D567,618 S * 4/2008 Agronin D8/71
D643,272 S * 8/2011 Casteel D8/72
D677,545 S * 3/2013 Sell D8/70
D698,223 S * 1/2014 Moreau D8/330
8,991,779 B2 * 3/2015 McGougan B25D 17/28
248/548
D730,141 S * 5/2015 Moss D8/70
D736,073 S * 8/2015 Eriksson D8/394
D777,020 S * 1/2017 Zlatic D8/394
D786,660 S * 5/2017 Cacciabeve D8/394
D795,684 S * 8/2017 Cacciabeve B60Q 3/35
D8/394
D797,549 S * 9/2017 Dew D8/394
9,844,868 B1 * 12/2017 Abbey B25D 17/24
D849,497 S * 5/2019 Wang D8/71
D887,235 S * 6/2020 King, Jr. D8/47
D887,260 S * 6/2020 Russell D8/394
D888,522 S * 6/2020 Howseman, Jr. D8/71
2004/0135044 A1 * 7/2004 Radermacher F16M 11/242
248/170
2007/0228805 A1 * 10/2007 Due E01C 23/124
299/37.1
2008/0202264 A1 * 8/2008 Howland B25F 5/00
74/156

2009/0101378 A1 * 4/2009 Barrows B25D 9/145
173/135
2010/0059949 A1 * 3/2010 Kennard B25D 17/043
280/47.21
2010/0233938 A1 * 9/2010 Brunner B24B 55/10
451/28
2012/0260456 A1 * 10/2012 King, Jr. B23Q 11/0046
15/362
2012/0260458 A1 * 10/2012 King, Jr. A47L 9/02
15/415.1
2016/0136799 A1 * 5/2016 Morissette B25D 17/32
173/1
2016/0288478 A1 * 10/2016 Rodriguez B32B 43/006
2017/0138072 A1 * 5/2017 Tailly B28D 1/28
2018/0085907 A1 * 3/2018 Wilson B62B 3/022
2018/0111203 A1 * 4/2018 Moore B23B 45/003
2019/0061131 A1 * 2/2019 Bindhammer B25D 16/006
2019/0283228 A1 * 9/2019 Jing B25D 17/043
2019/0321959 A1 * 10/2019 King, Jr. E01C 23/124
2020/0189058 A1 * 6/2020 King, Jr. B23Q 11/0071

OTHER PUBLICATIONS

Electric Chipping Hammer Attachment For Dust Free Tile Removal,
dustram.com, <https://www.dustram.com/electric-chipping-hammer-dust-free-tile-removal/> (Year: 2020).
Bosco, LLC, Product—HHDA HandHeld Demolition Assistant,
<http://boscotool.com/product-hhda.html>.

* cited by examiner

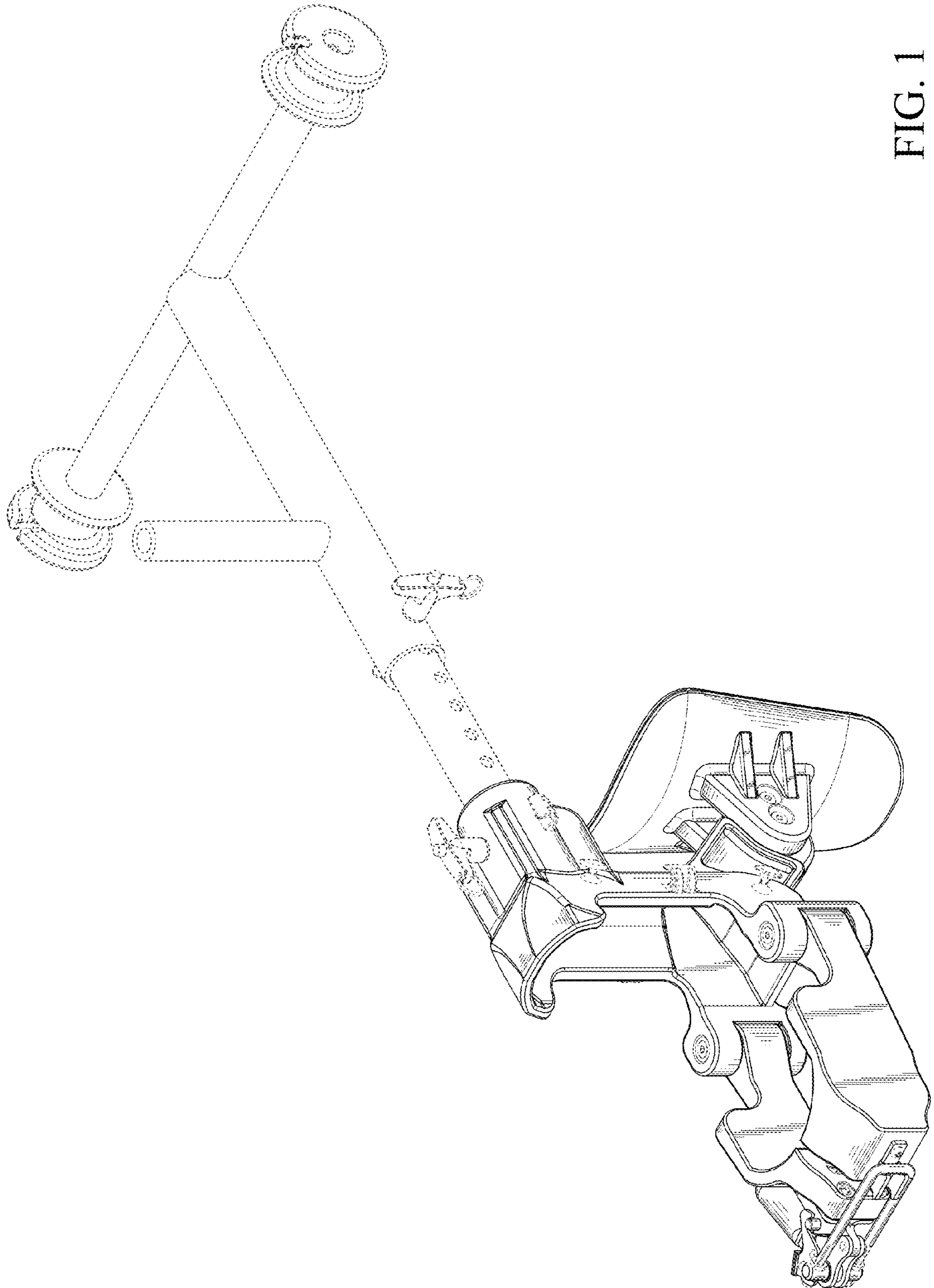


FIG. 1

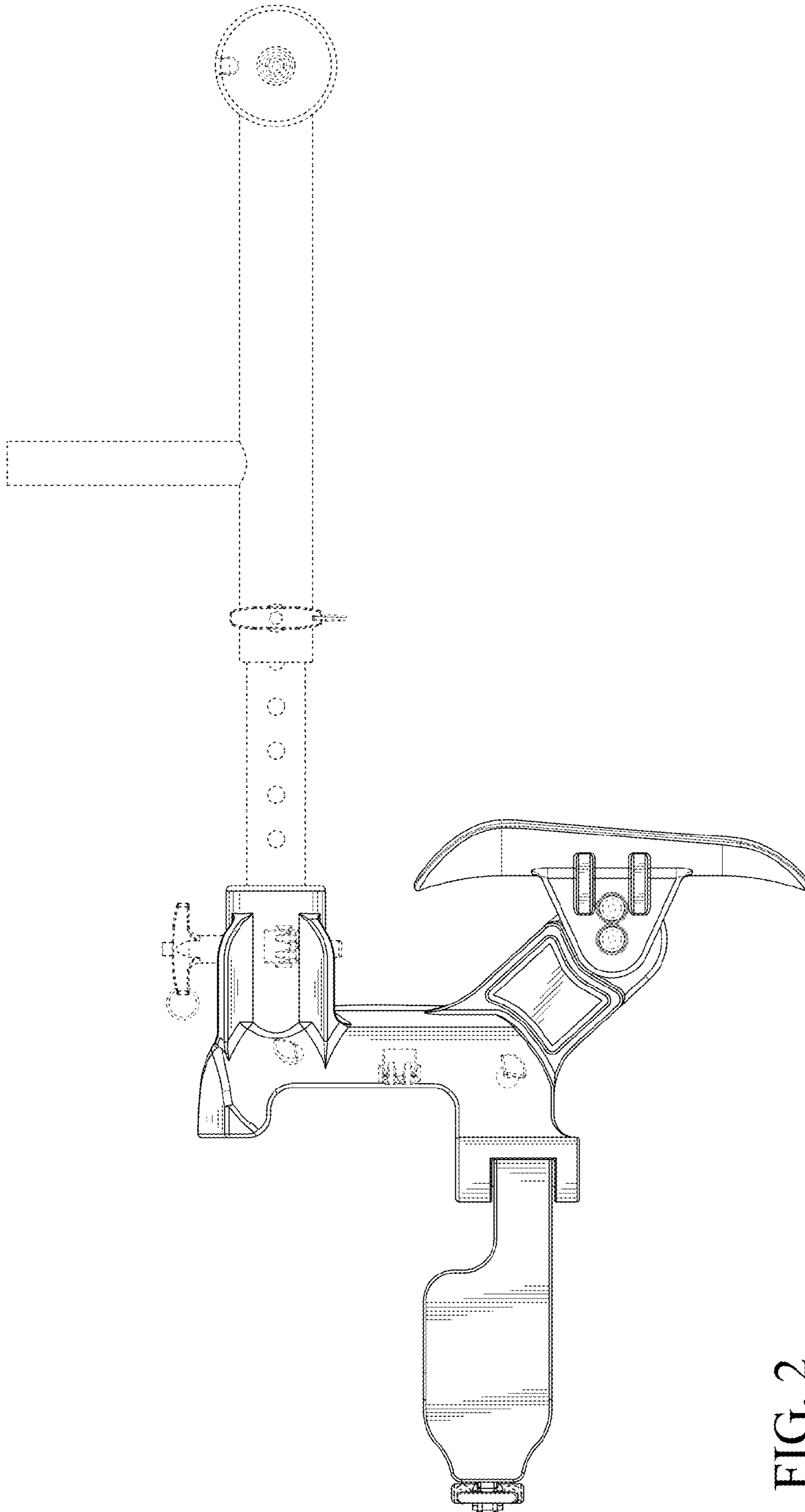


FIG. 2

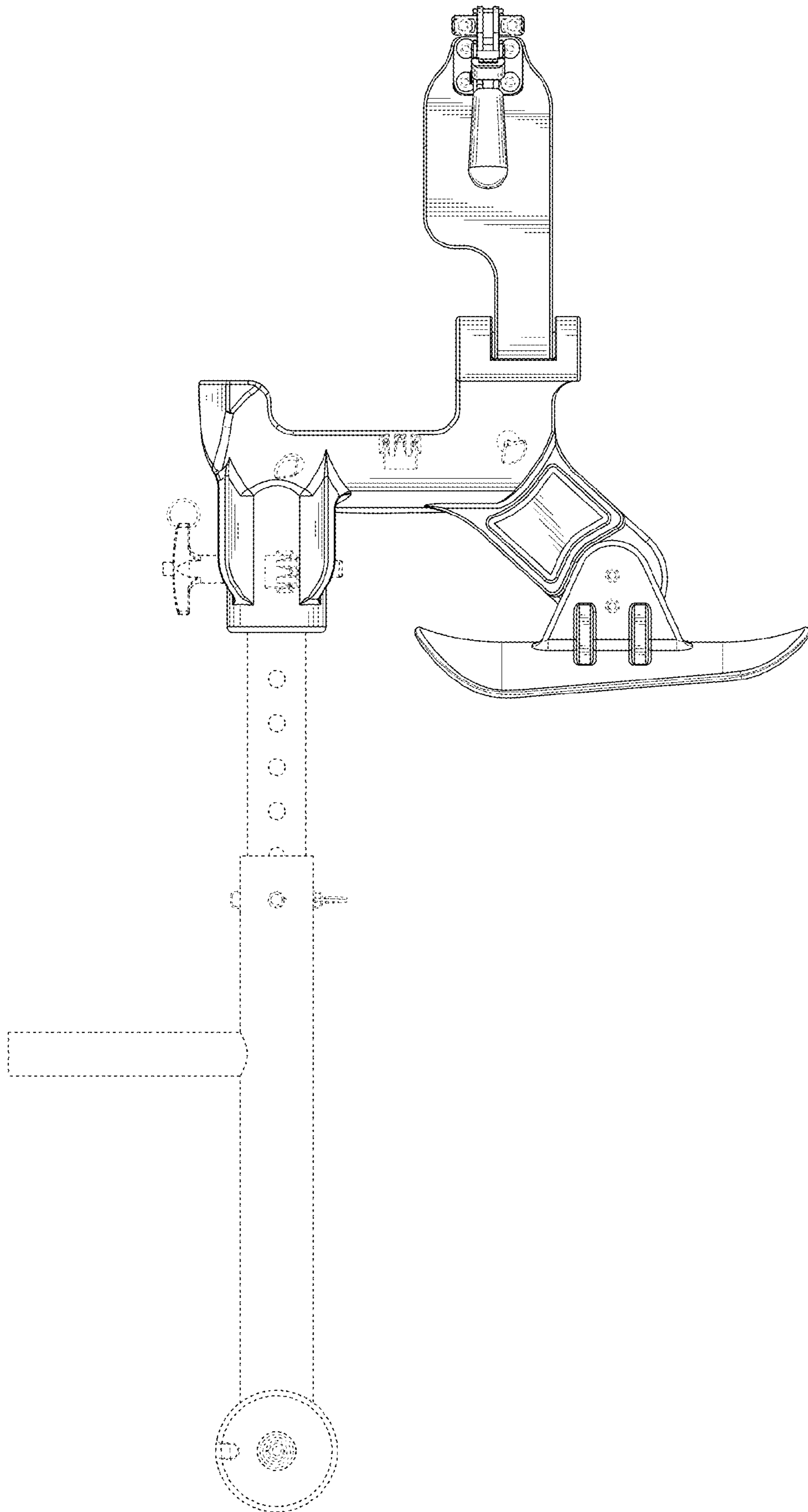


FIG. 3

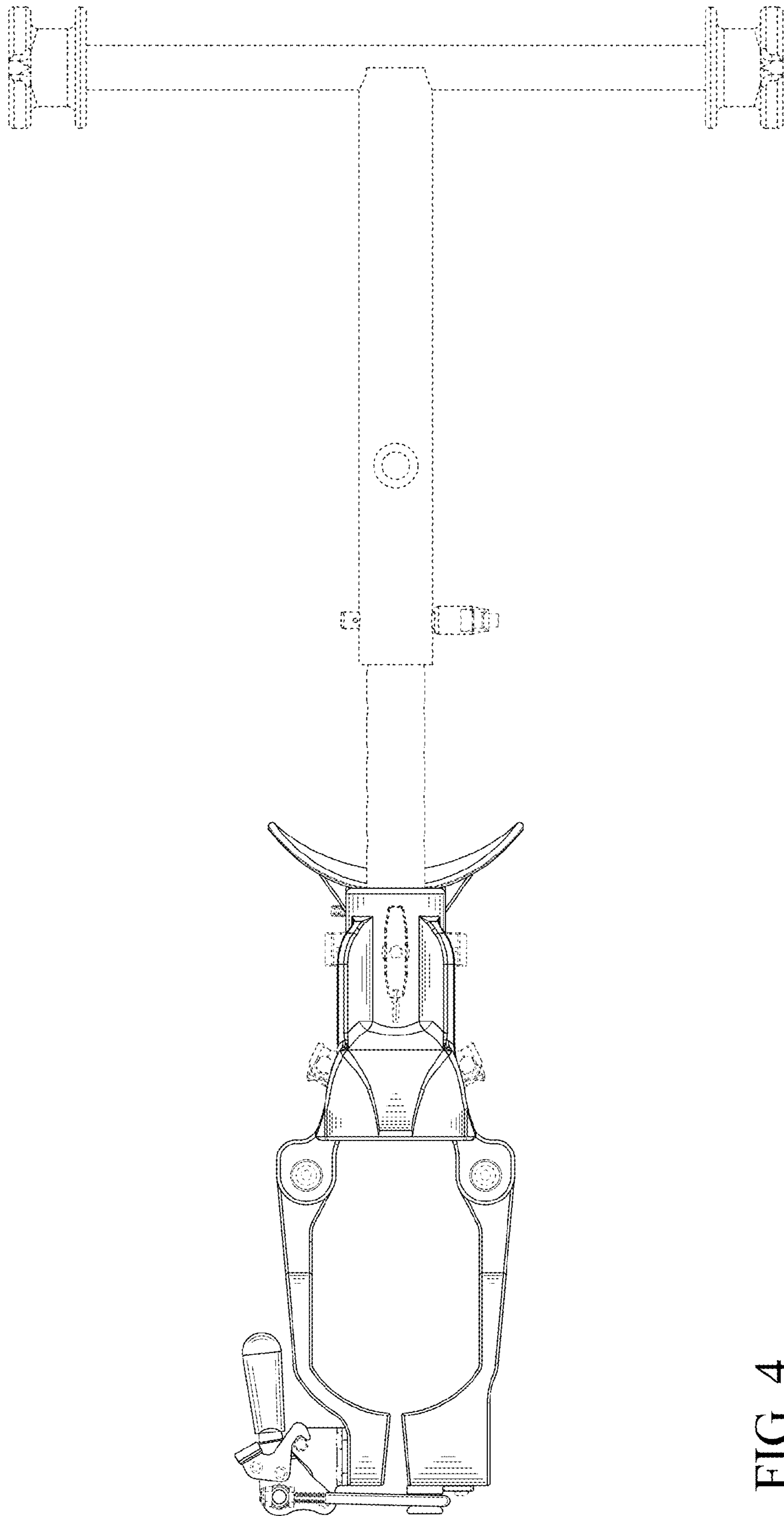


FIG. 4

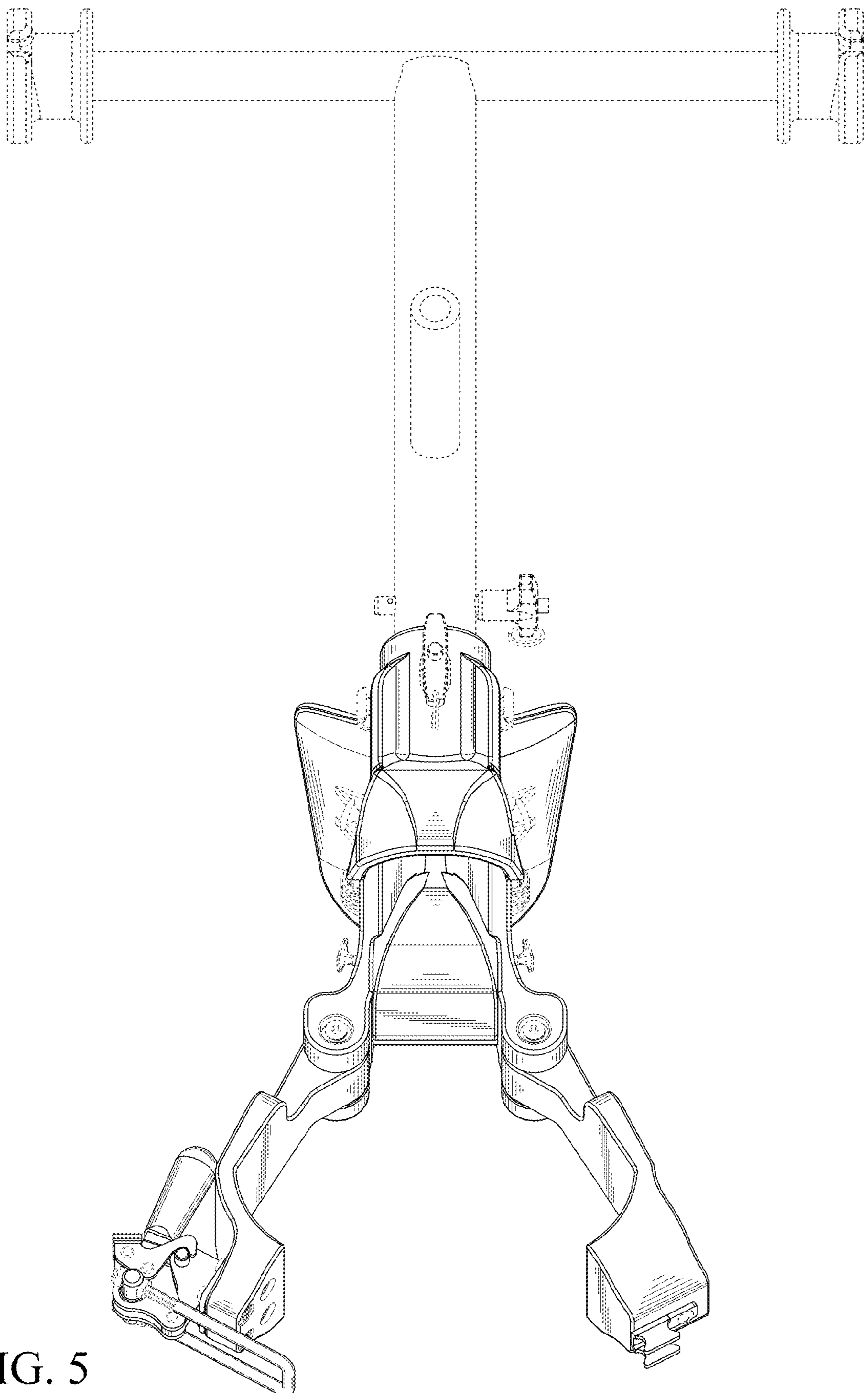


FIG. 5

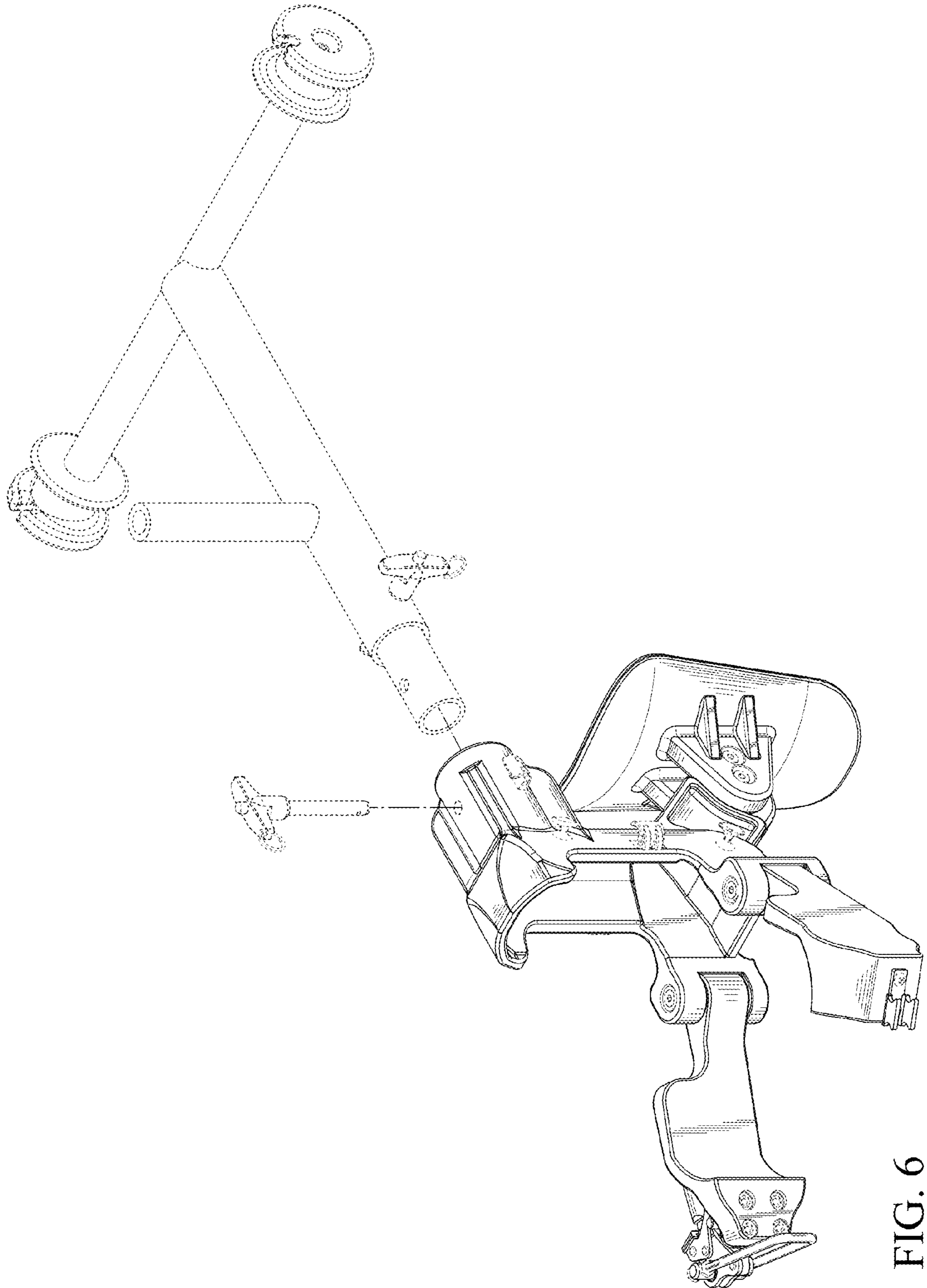


FIG. 6

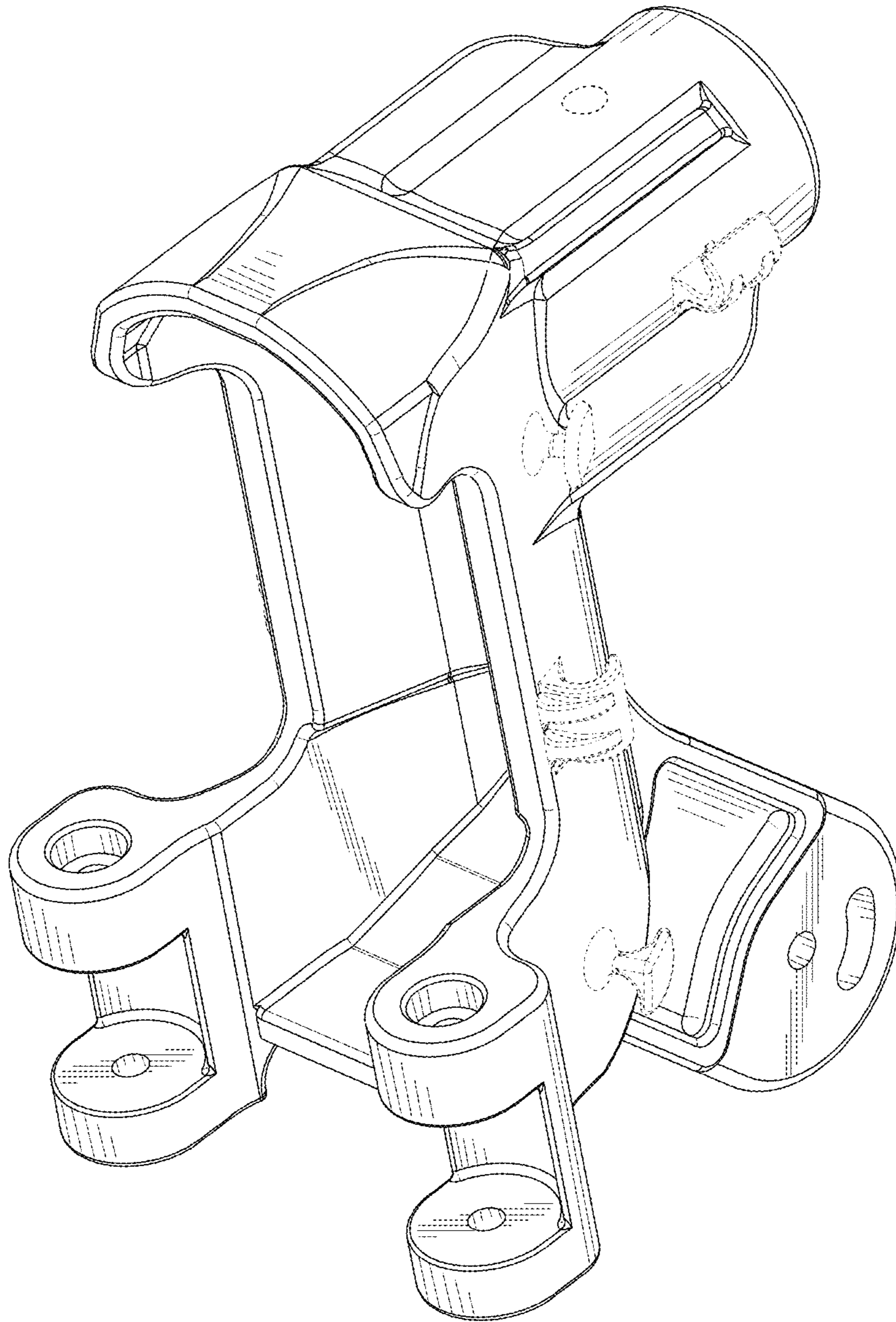


FIG. 7

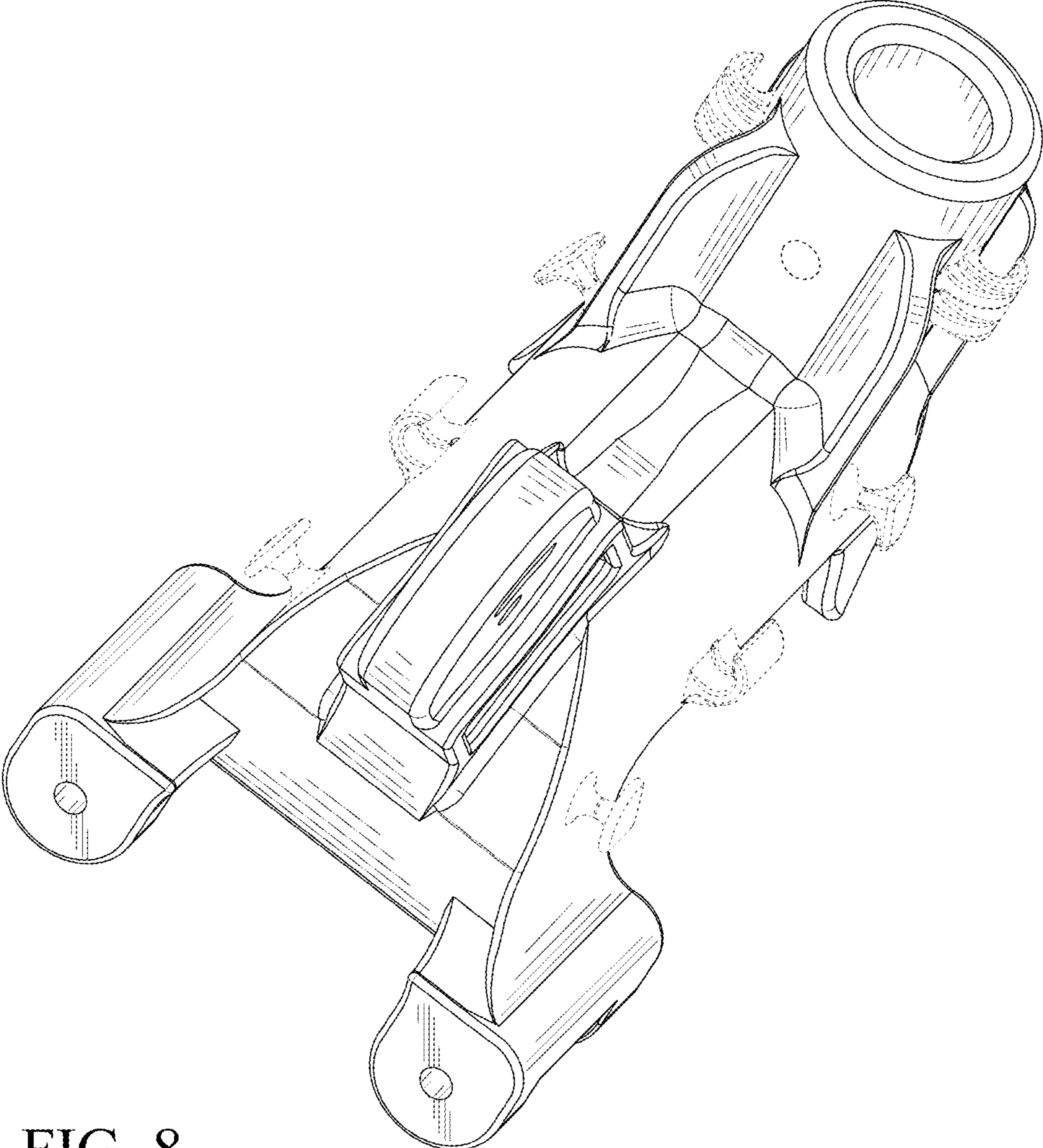


FIG. 8