



US00D917261S

(12) **United States Design Patent**
Kho

(10) **Patent No.:** **US D917,261 S**

(45) **Date of Patent:** **** Apr. 27, 2021**

(54) **DOOR KNOB COVER**

D787,298 S * 5/2017 Marsden D8/322
10,422,157 B1 * 9/2019 Lindstead E05B 1/0053

(71) Applicant: **Juan Pablo Kho**, Torrance, CA (US)

* cited by examiner

(72) Inventor: **Juan Pablo Kho**, Torrance, CA (US)

Primary Examiner — Keli L Hill

(**) Term: **15 Years**

Assistant Examiner — Harold E Blackwell, II

(21) Appl. No.: **29/654,234**

(74) *Attorney, Agent, or Firm* — Patent Law Agency, LLC; Peter Ganjian

(22) Filed: **Jun. 21, 2018**

(51) **LOC (13) Cl.** **08-06**

(52) **U.S. Cl.**

USPC **D8/322**

(58) **Field of Classification Search**

USPC D8/315, 316, 317, 318, 319, 320, 322,
D8/402

CPC E05B 13/001; Y10T 292/85

See application file for complete search history.

(57) **CLAIM**

The ornamental design for a door knob cover, as shown and described.

DESCRIPTION

FIG. 1 is side perspective view of a front end of a door knob cover showing my new design.

FIG. 2 is top perspective view of the front-end of the door knob cover shown in FIG. 1;

FIG. 3 is top perspective view of a back-end of the door knob cover shown in FIG. 1;

FIG. 4 is a side view of the door knob cover shown in FIG. 1;

FIG. 5 is top view of the front-end of the door knob cover shown in FIG. 1; and,

FIG. 6 is a top view of the back-end of the door knob cover shown in FIG. 1.

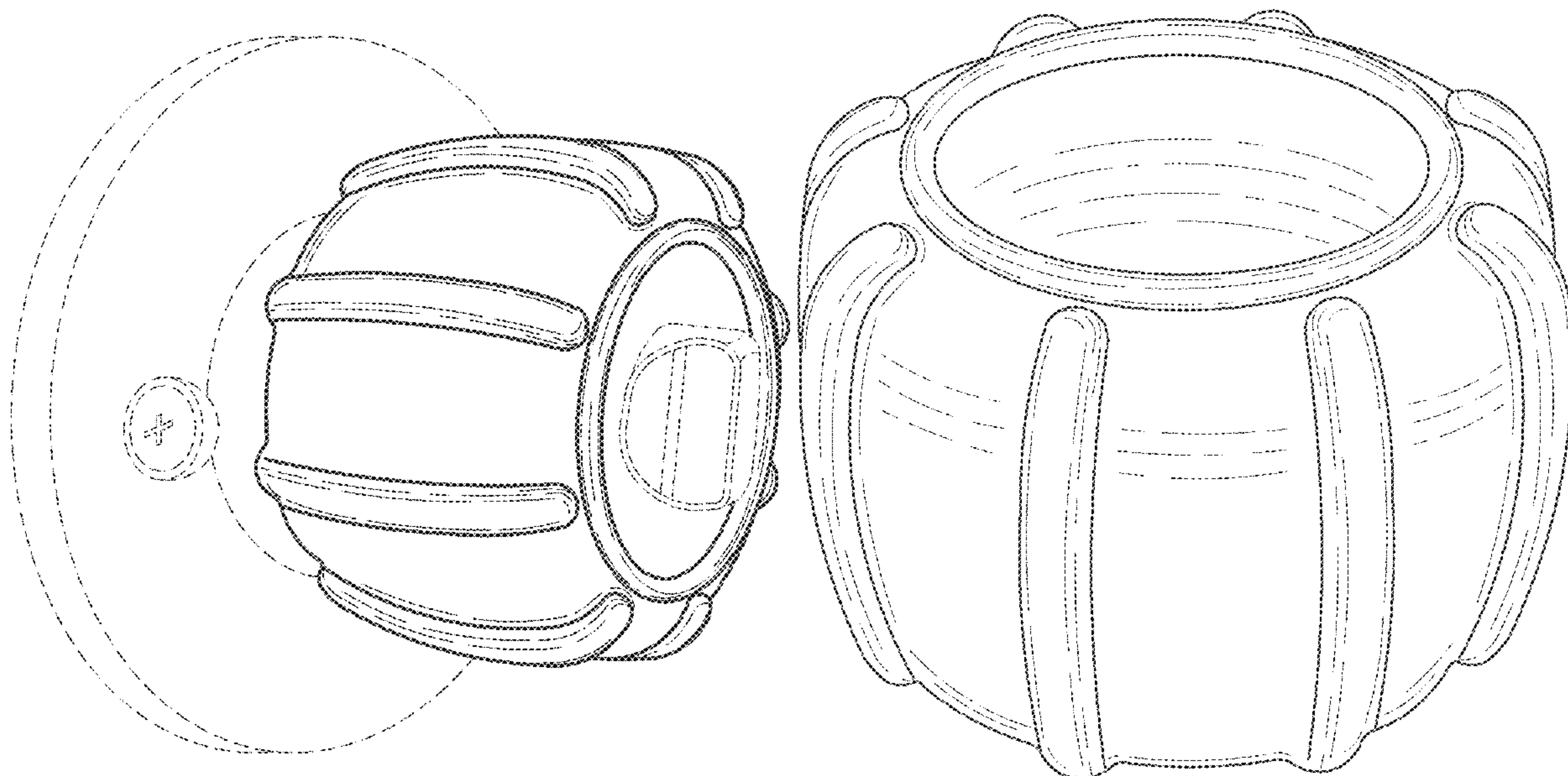
The broken lines depicting a door knob in FIG. 1 represent unclaimed environmental portions of the design.

(56) **References Cited**

U.S. PATENT DOCUMENTS

- 2,699,809 A * 1/1955 Nebe E05B 1/0061
16/86 A
- D211,398 S * 6/1968 Hall D8/322
- D402,875 S * 12/1998 Bethea D8/322
- D427,046 S * 6/2000 Mannix D8/322
- D541,133 S * 4/2007 Brayford D8/322
- 9,051,757 B2 * 6/2015 Bracey E05B 1/0069

1 Claim, 6 Drawing Sheets



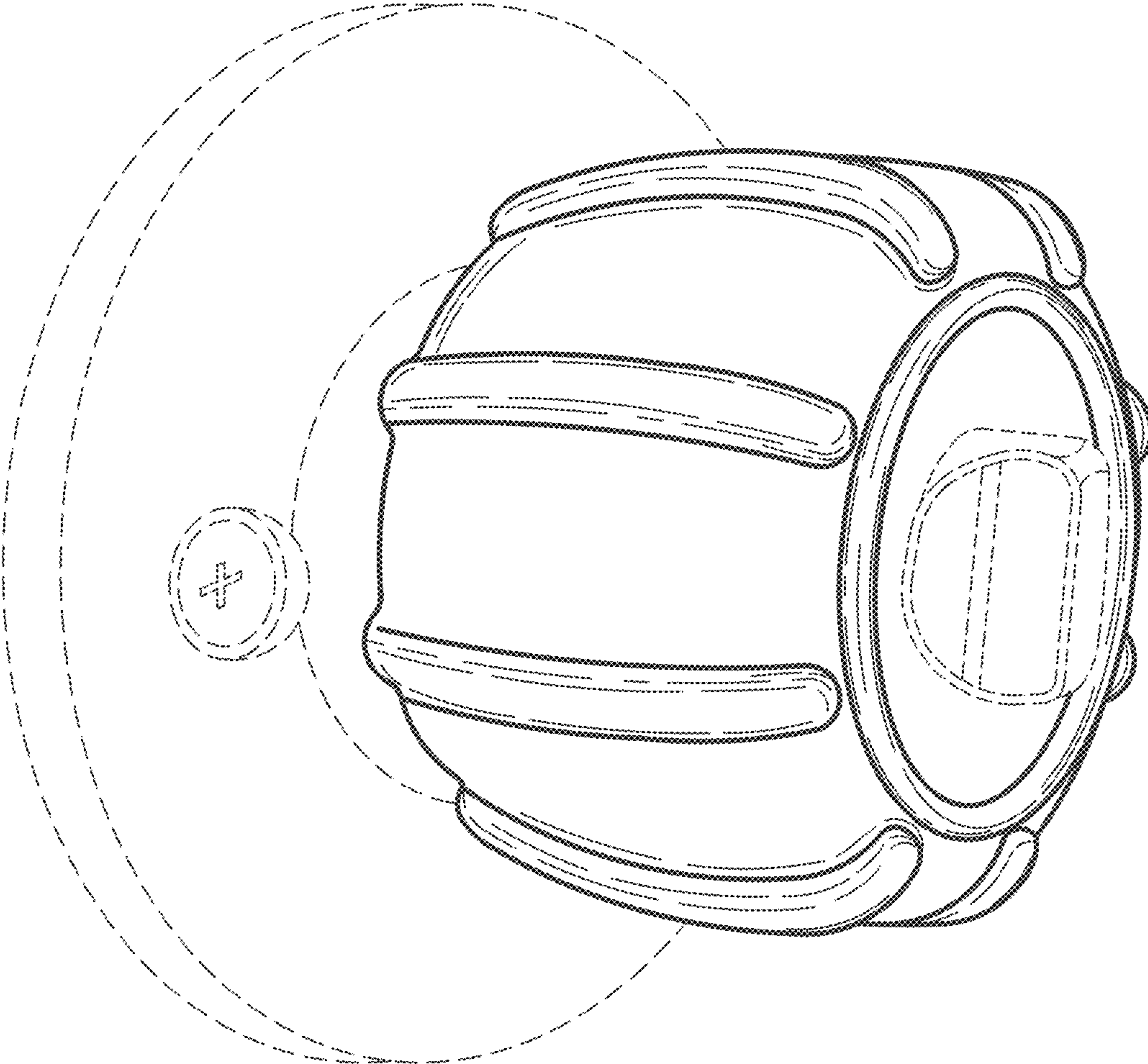


FIG. 1

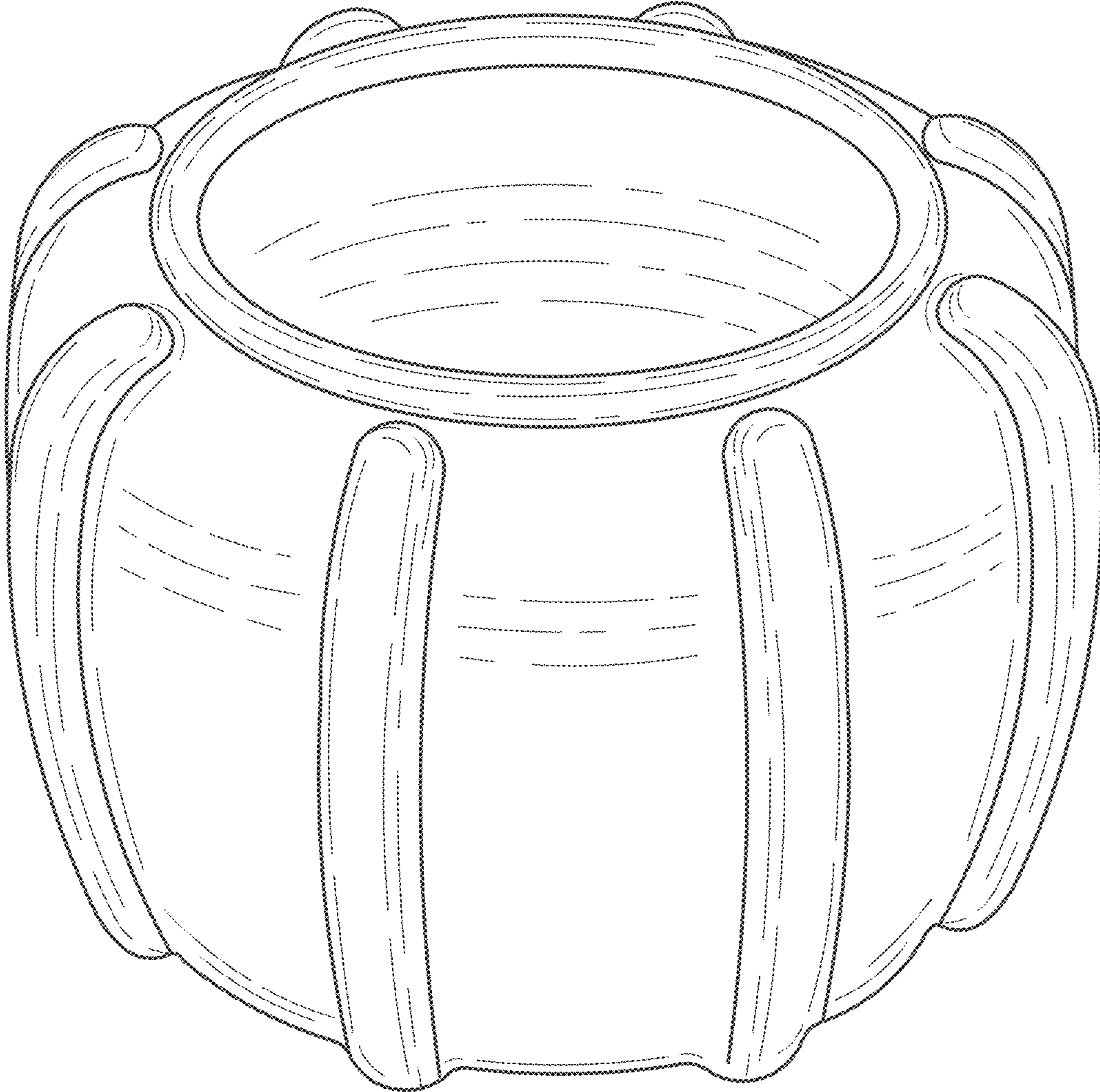


FIG. 2

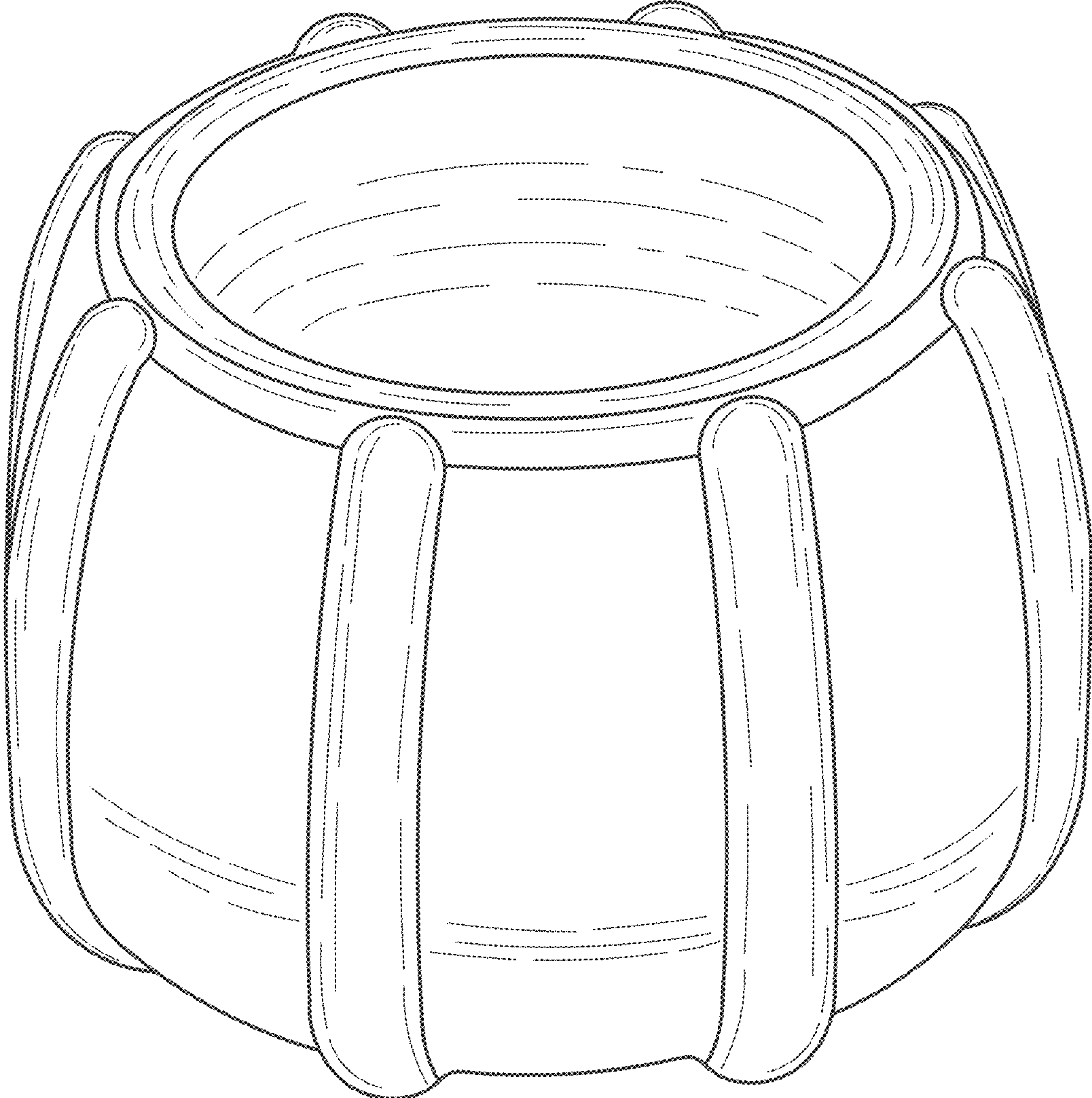


FIG. 3

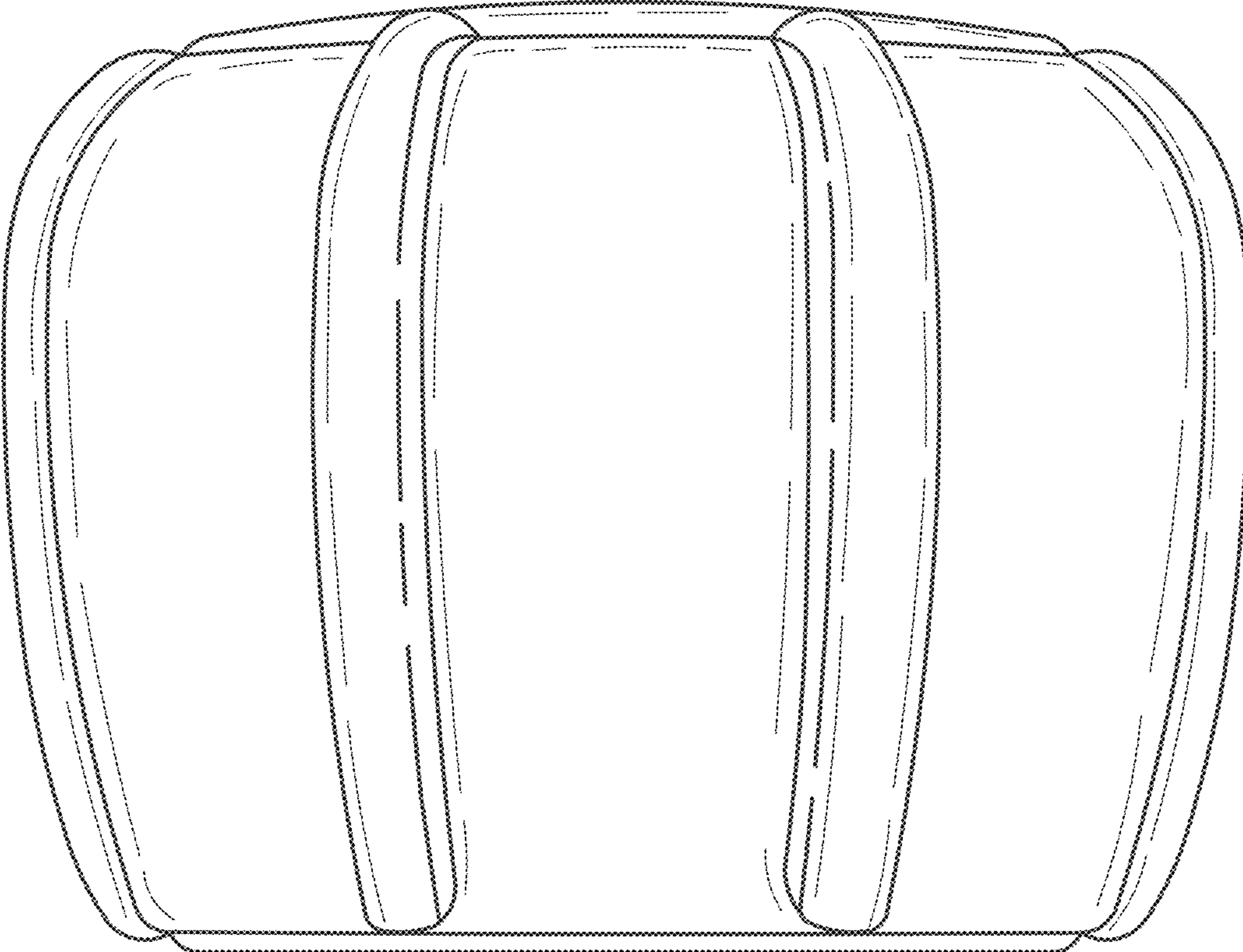


FIG. 4

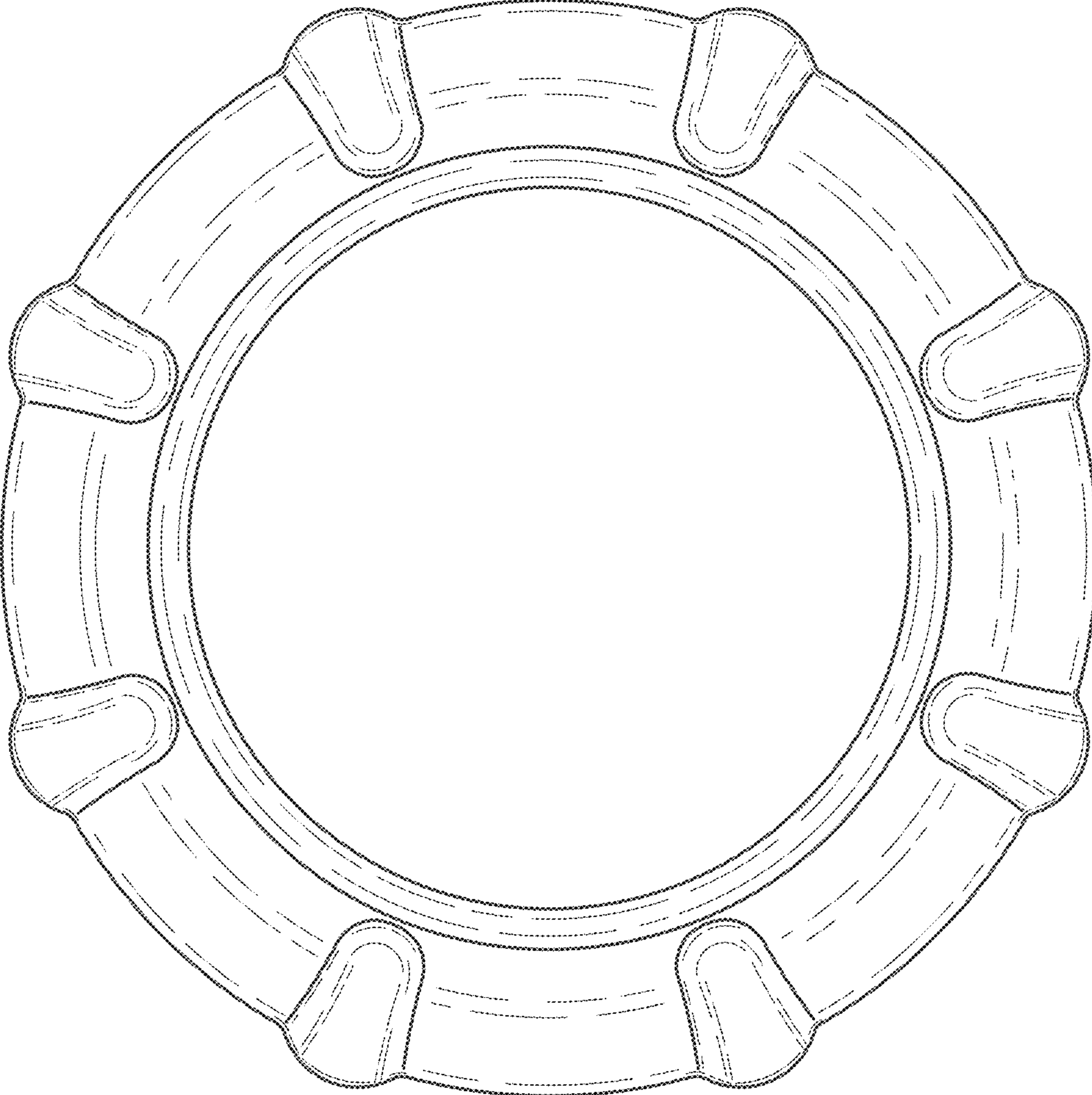


FIG. 5

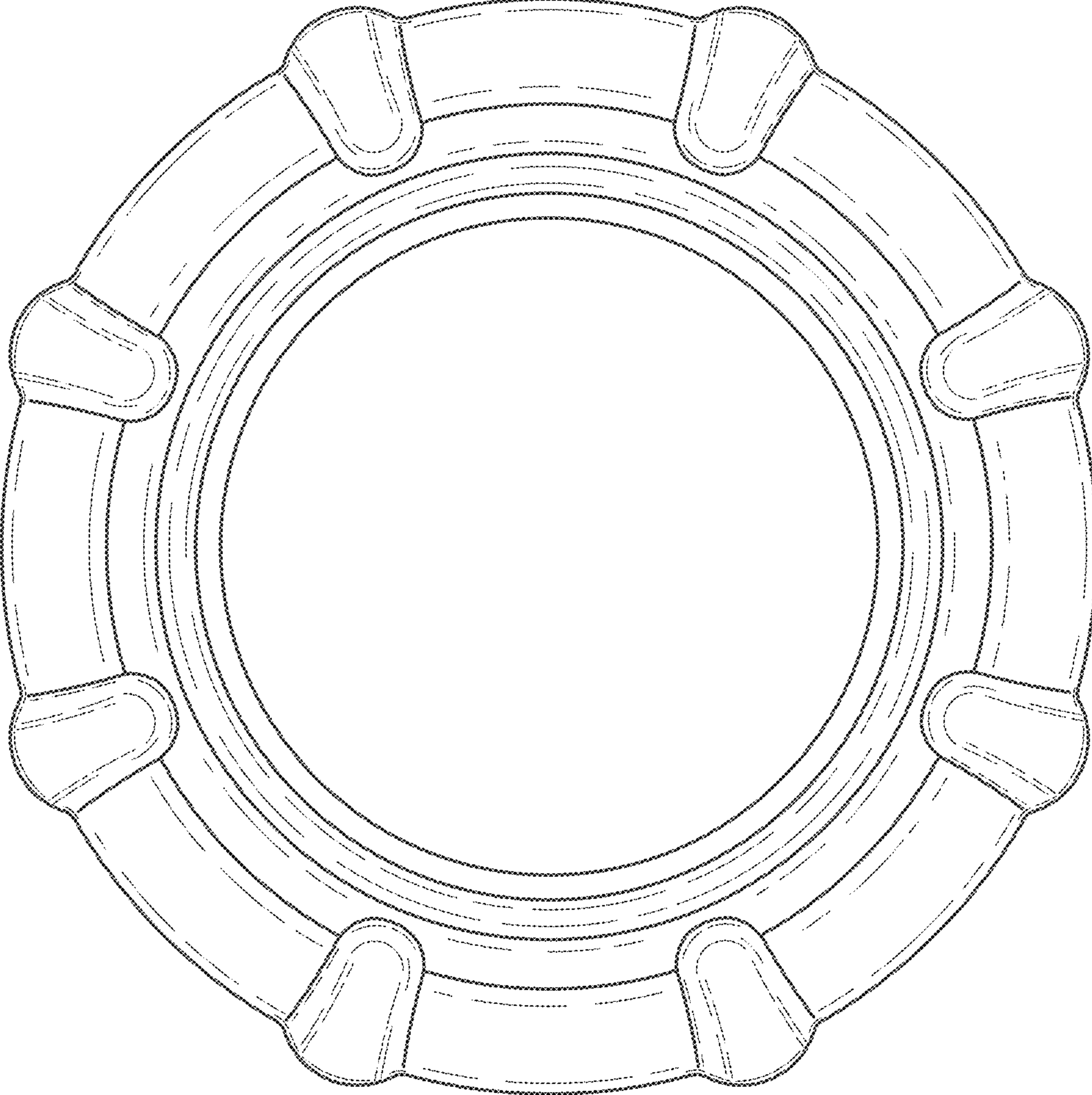


FIG. 6