



US00D917260S

(12) **United States Design Patent** (10) **Patent No.:** **US D917,260 S**
Marfione (45) **Date of Patent:** **** Apr. 27, 2021**

(54) **SWITCHBLADE KNIFE**
(71) Applicant: **Anthony Louis Marfione**, Fletcher, NC (US)
(72) Inventor: **Anthony Louis Marfione**, Fletcher, NC (US)
(73) Assignee: **Microtech Knives, Inc.**, Bradford, PA (US)
(**) Term: **15 Years**
(21) Appl. No.: **29/721,598**
(22) Filed: **Jan. 22, 2020**
(51) **LOC (13) Cl.** **08-03**
(52) **U.S. Cl.**
USPC **D8/99**
(58) **Field of Classification Search**
USPC D8/98, 99, 100, 105, 107; D22/118
CPC B26B 5/001; B26B 5/003; B26B 11/00;
B26B 1/08; B26B 1/02; B26B 1/10;
B26B 1/04; B26B 1/042; B26B 1/048;
B26B 3/06; B26B 29/06
See application file for complete search history.

D464,246 S 10/2002 Sloan
D473,917 S 4/2003 Carter, III
D474,669 S 5/2003 Onion
D488,045 S 4/2004 Onion
D505,057 S 5/2005 Ralph
D510,249 S 10/2005 Ray
D567,055 S 4/2008 Renzi
D578,857 S 10/2008 Yang-Fu
D613,574 S * 4/2010 Pohl D8/99
D614,933 S 5/2010 Freeman
D636,051 S 4/2011 Freeman
D677,551 S 3/2013 Pelton
D697,780 S 1/2014 Pelton
D706,107 S 6/2014 Pelton
D713,923 S * 9/2014 Salvitti D22/118
D737,110 S 8/2015 Schuft
D743,769 S 11/2015 Glesser
D753,459 S 4/2016 Glesser
D756,193 S * 5/2016 Horvath D8/99
D765,217 S 8/2016 Tom
(Continued)

Primary Examiner — Philip S Hyder
(74) *Attorney, Agent, or Firm* — Steve LeBlanc, LLC

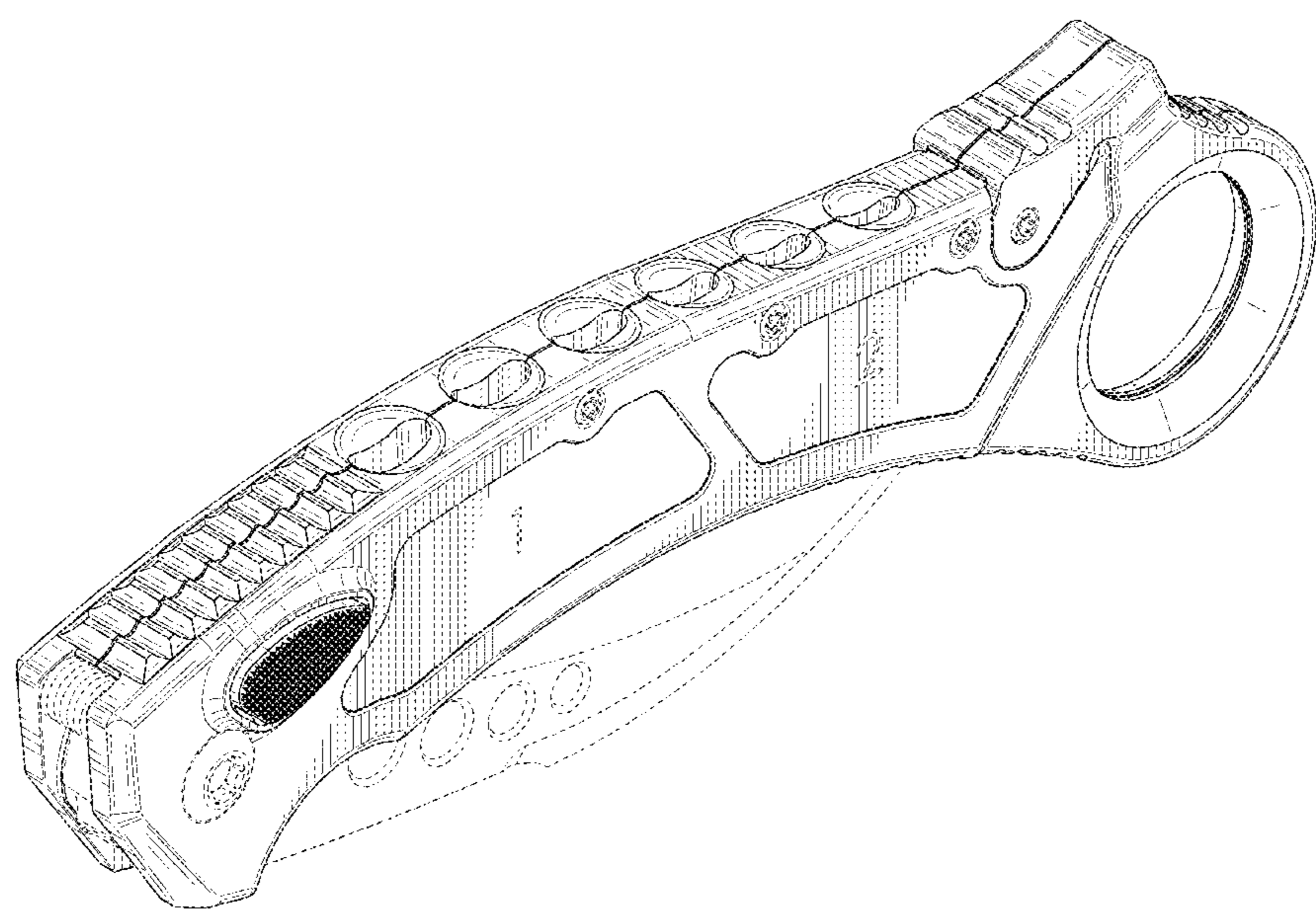
(57) **CLAIM**
The ornamental design for a switchblade knife, as shown and described.

DESCRIPTION

FIG. 1 is a perspective view of a switchblade knife showing the new design;
FIG. 2 is a front elevation view thereof
FIG. 3 is a rear elevation view thereof;
FIG. 4 is a top plan view thereof;
FIG. 5 is a bottom plan view thereof;
FIG. 6 is a left side elevation view thereof; and,
FIG. 7 is a right side elevation view thereof.
The broken lines depict portions of the switch blade knife in which the design is embodied that are not considered part of the claimed design.

1 Claim, 5 Drawing Sheets

(56) **References Cited**
U.S. PATENT DOCUMENTS
D265,719 S 8/1982 Dowdy
D276,887 S 12/1984 Sakurai
D347,375 S 5/1994 Sakai
D385,173 S 10/1997 McWillis
D387,966 S 12/1997 Horn
D389,389 S 1/1998 Glesser
5,819,414 A * 10/1998 Marfione B26B 1/046
30/160
D407,002 S 3/1999 Morton
D407,004 S 3/1999 Hull
D435,421 S 12/2000 Strider
D438,443 S 3/2001 Keating



(56)

References Cited

U.S. PATENT DOCUMENTS

D768,456 S 10/2016 Cheng
D768,458 S 10/2016 Mingyi
D769,694 S 10/2016 Mingyi
D811,191 S * 2/2018 Berenji D8/99
D856,109 S 8/2019 Marfione
D856,775 S 8/2019 Marfione
10,737,401 B1 * 8/2020 Coves B26B 1/042
D895,392 S * 9/2020 Marfione D8/99
D905,529 S * 12/2020 Caswell D8/99
2018/0154531 A1 * 6/2018 Caswell B26B 1/10

* cited by examiner

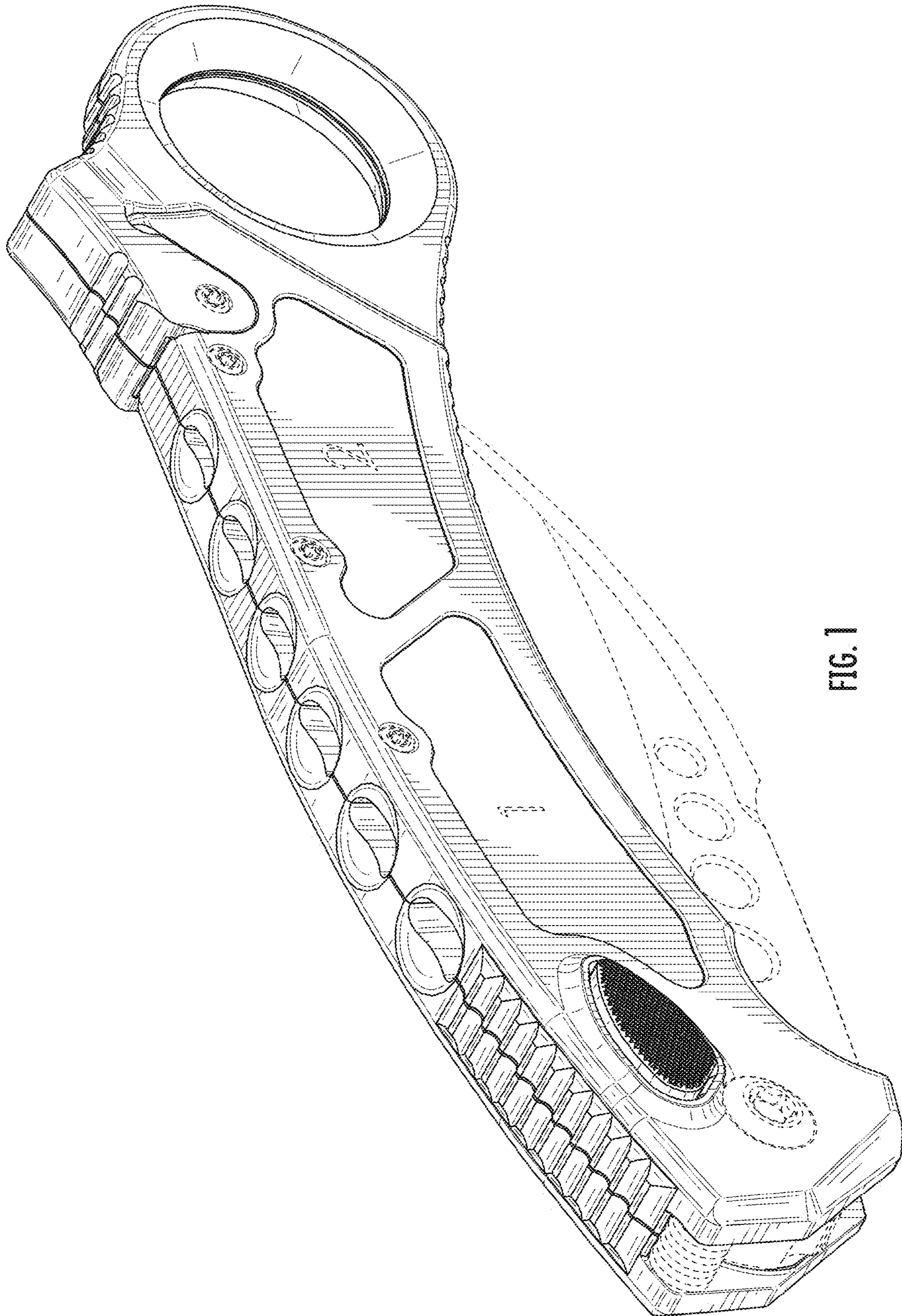


FIG. 1

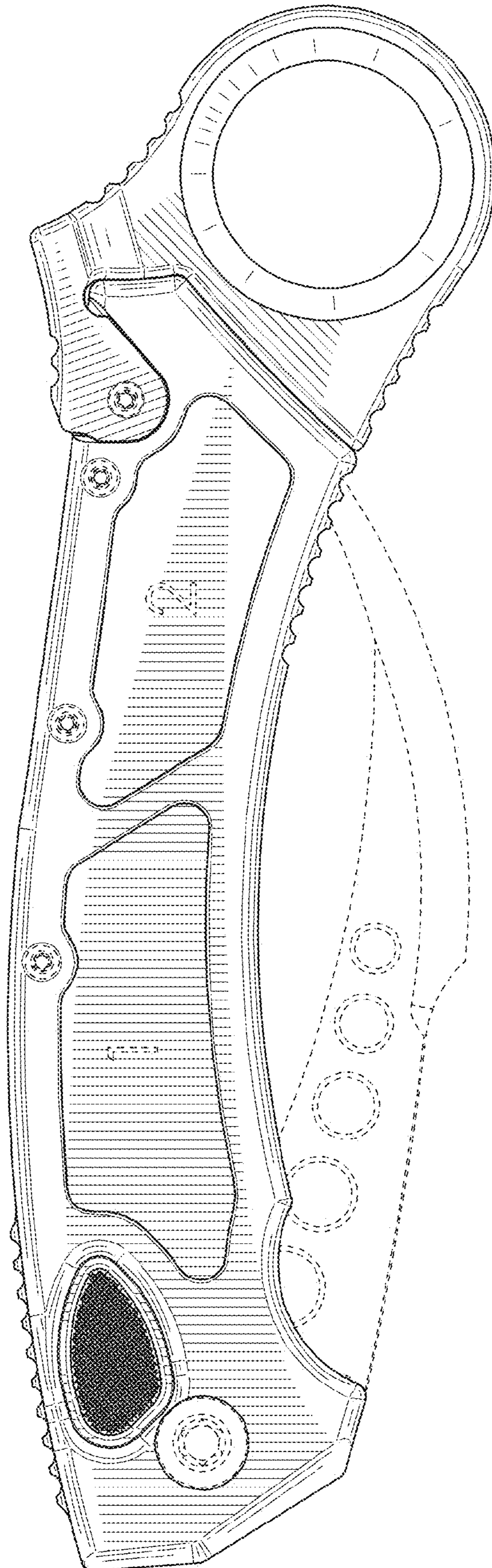


FIG. 2

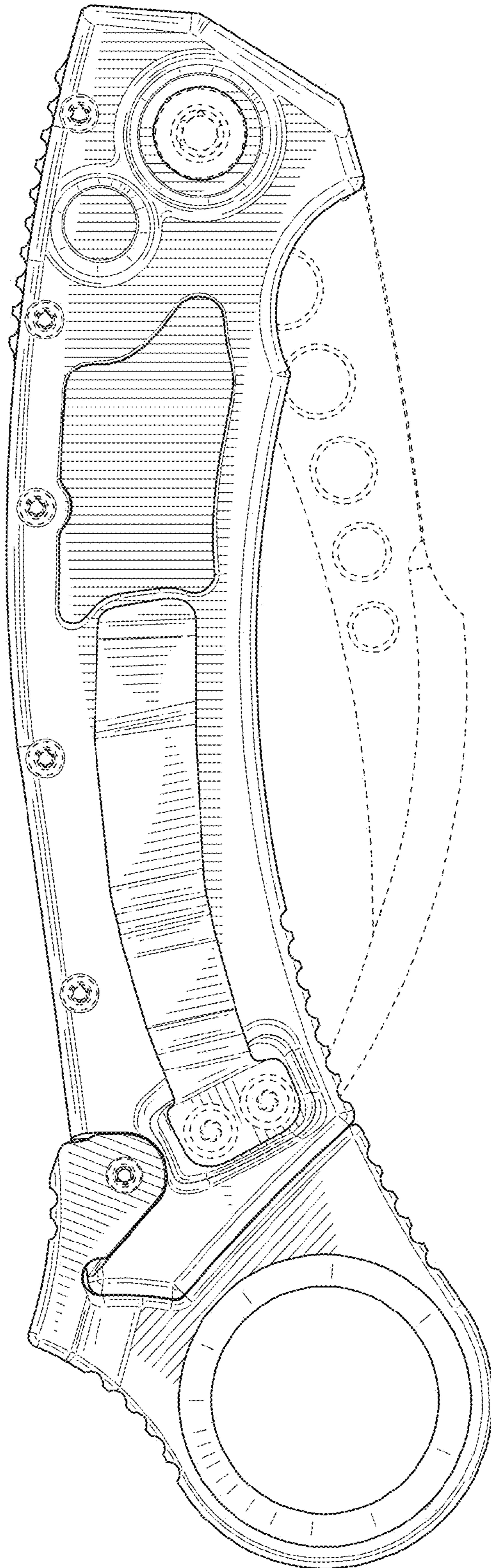


FIG. 3

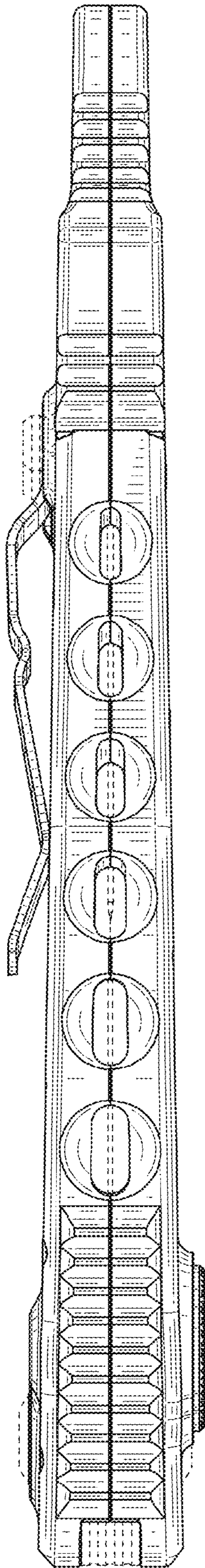


FIG. 4

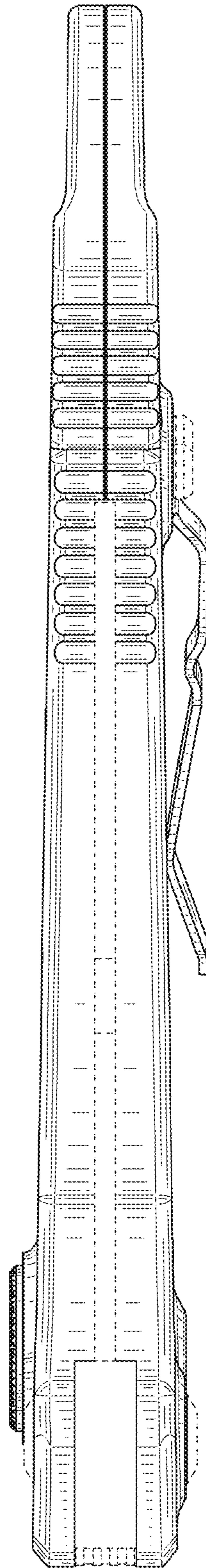


FIG. 5

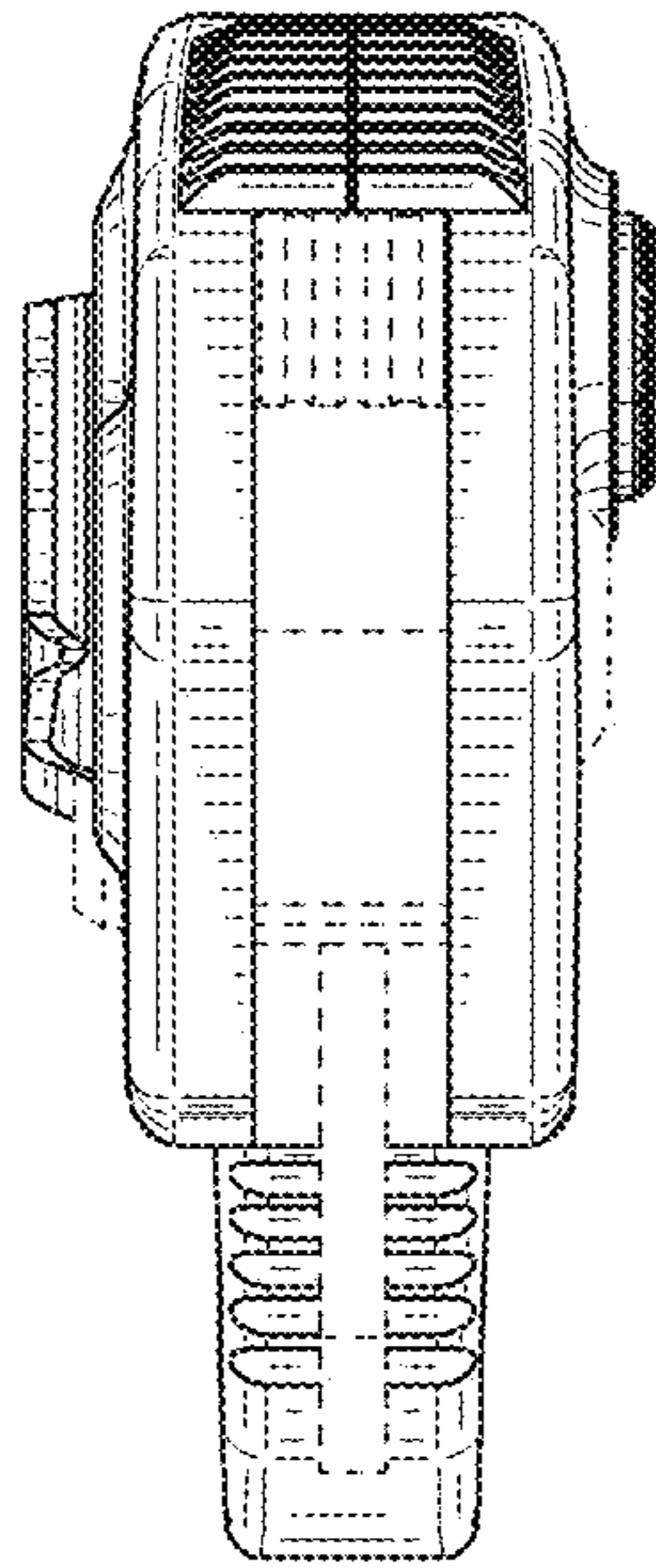


FIG. 6

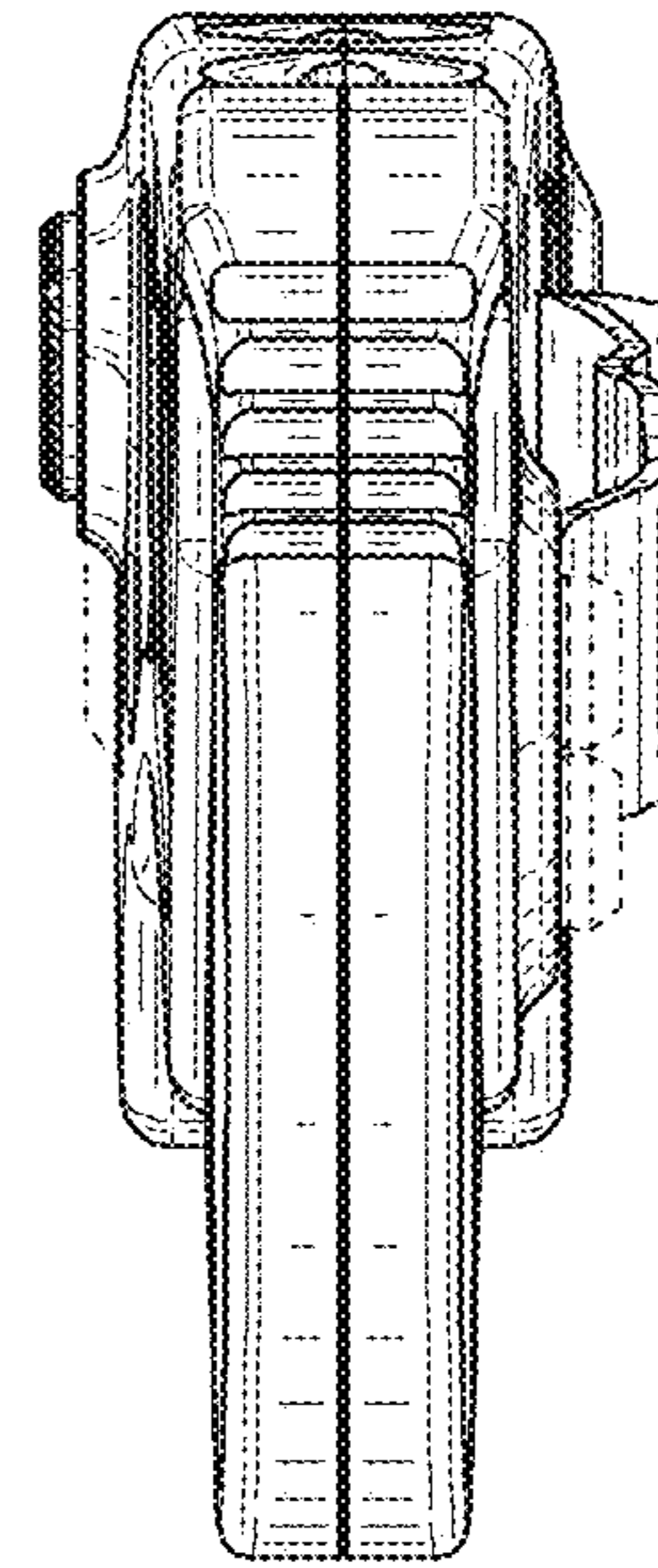


FIG. 7