



US00D917259S

(12) **United States Design Patent**
Vallo et al.

(10) **Patent No.:** **US D917,259 S**
(45) **Date of Patent:** **** Apr. 27, 2021**

(54) **FOLDING KNIFE**

(71) Applicant: **Fiskars Finland Oy Ab**, Helsinki (FI)

(72) Inventors: **Nicholas Vallo**, Helsinki (FI); **Stephen Dechant**, Helsinki (FI); **James Meiller**, Helsinki (FI); **Rachel Belter**, Helsinki (FI)

(73) Assignee: **FISKARS FINLAND OY AB**, Helsinki (FI)

(**) Term: **15 Years**

(21) Appl. No.: **29/711,678**

(22) Filed: **Nov. 1, 2019**

(51) **LOC (13) Cl.** **08-03**

(52) **U.S. Cl.**
USPC **D8/99**

(58) **Field of Classification Search**
USPC D8/14, 98, 99, 100, 105, 107; D22/118
CPC B26B 1/00; B26B 1/02; B26B 1/04; B26B 5/00; B26B 5/006; B26B 1/10; B26B 1/046

See application file for complete search history.

(56) **References Cited**

U.S. PATENT DOCUMENTS

D332,382 S * 1/1993 Westcott D8/89
D344,006 S * 2/1994 Glesser D22/118

D422,872 S * 4/2000 Thiebold D8/99
D530,586 S * 10/2006 Chen D8/99
D581,240 S * 11/2008 Glesser D8/99
D636,051 S * 4/2011 Freeman D22/118
D696,567 S * 12/2013 Leh D8/99
D697,781 S * 1/2014 Trbovich D8/99
D716,127 S * 10/2014 Leh D8/99
D741,680 S * 10/2015 Hunter D8/99
9,492,916 B2 * 11/2016 Snyder B26B 1/046
D847,604 S * 5/2019 Stinson D8/99

* cited by examiner

Primary Examiner — Philip S Hyder

(74) *Attorney, Agent, or Firm* — Leason Ellis LLP

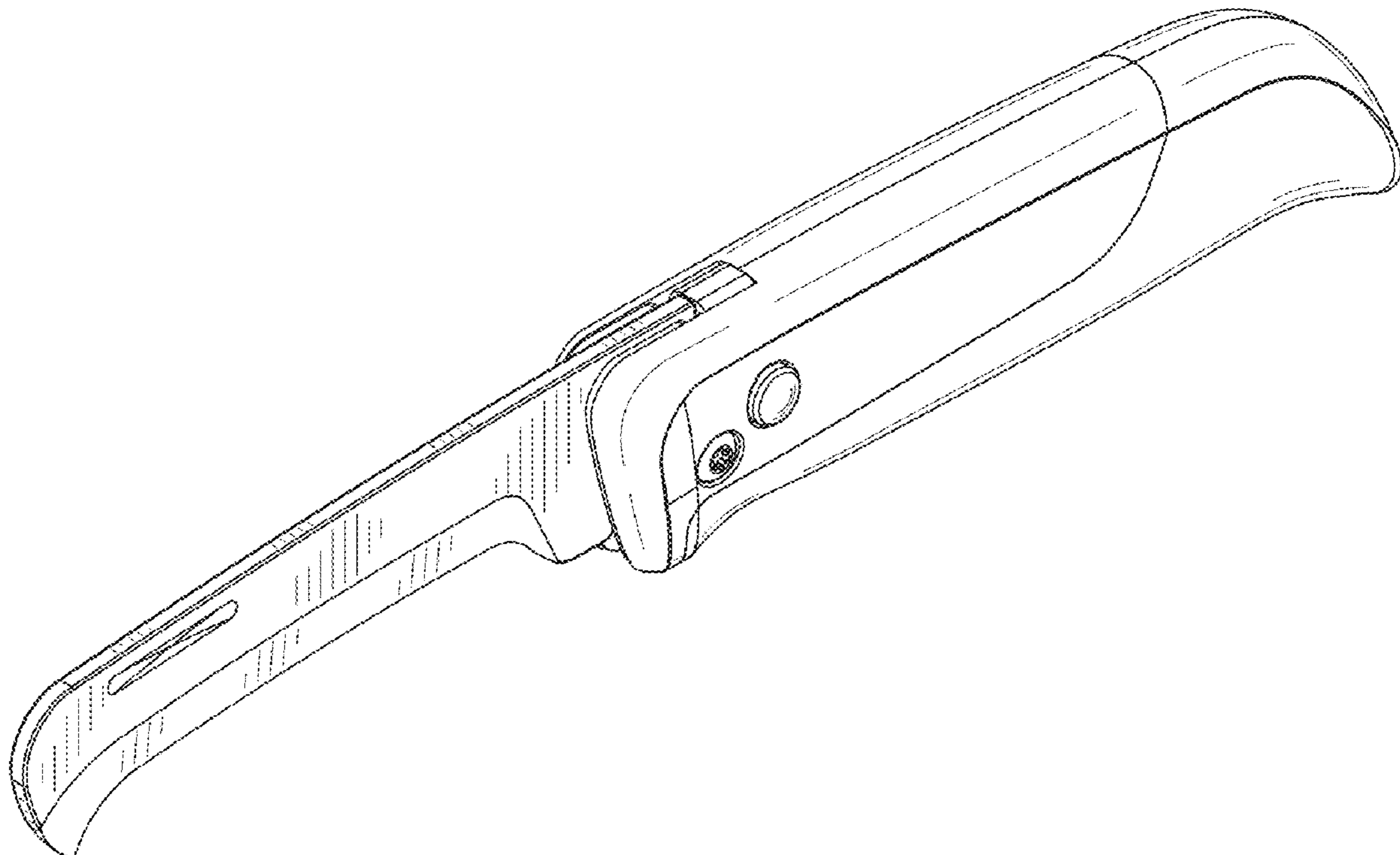
(57) **CLAIM**

The ornamental design for a folding knife, as shown and described.

DESCRIPTION

FIG. 1 is a perspective view of a folding knife according to our new design;
FIG. 2 is a front view thereof;
FIG. 3 is a rear view thereof;
FIG. 4 is a right, side view thereof;
FIG. 5 is a left, side view thereof;
FIG. 6 is a top plan view thereof; and,
FIG. 7 is a bottom plan view thereof.
Conventional shading is illustrated for purposes of highlighting the line drawings, but forms no part of the claimed design.

1 Claim, 7 Drawing Sheets



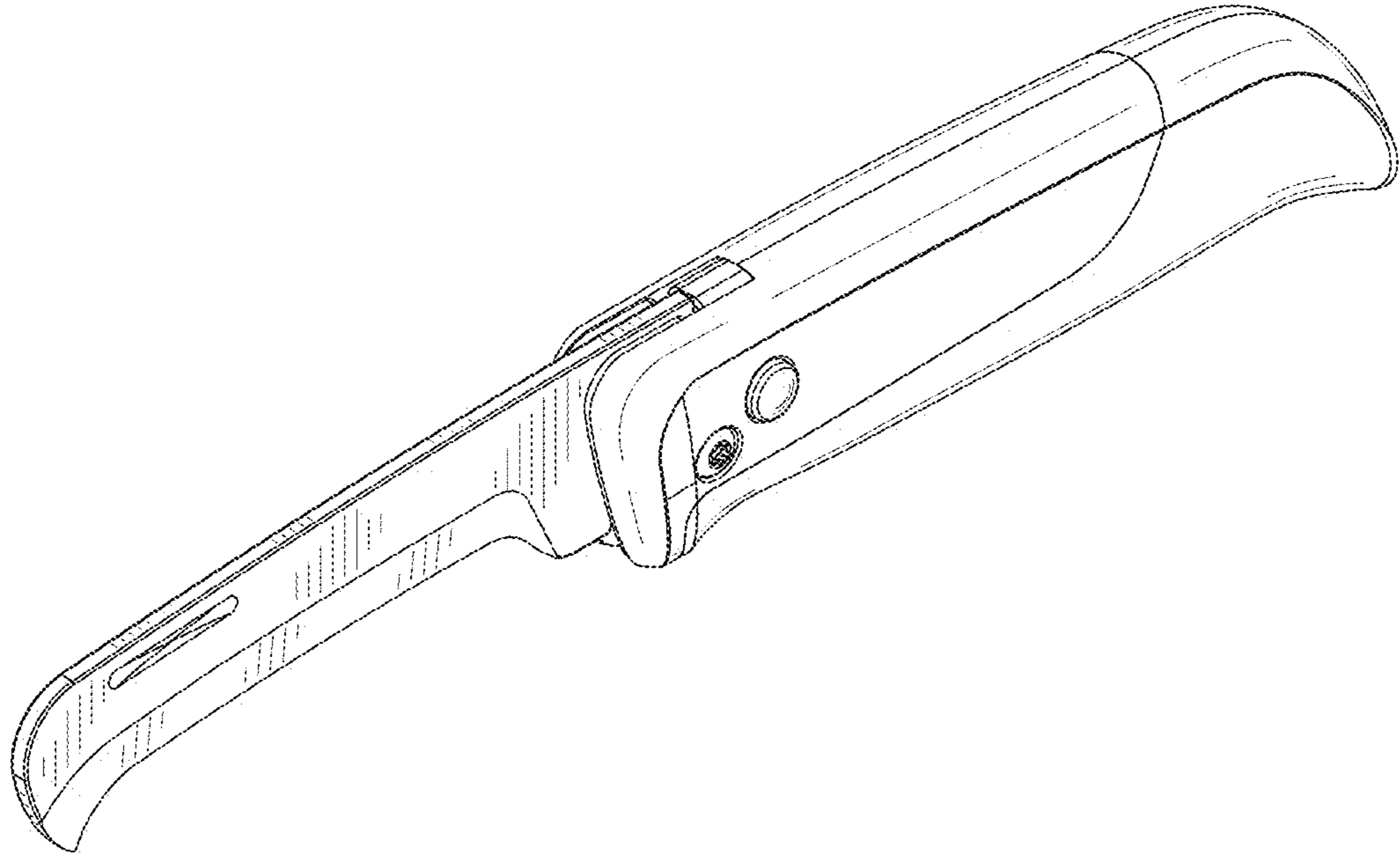


FIG. 1

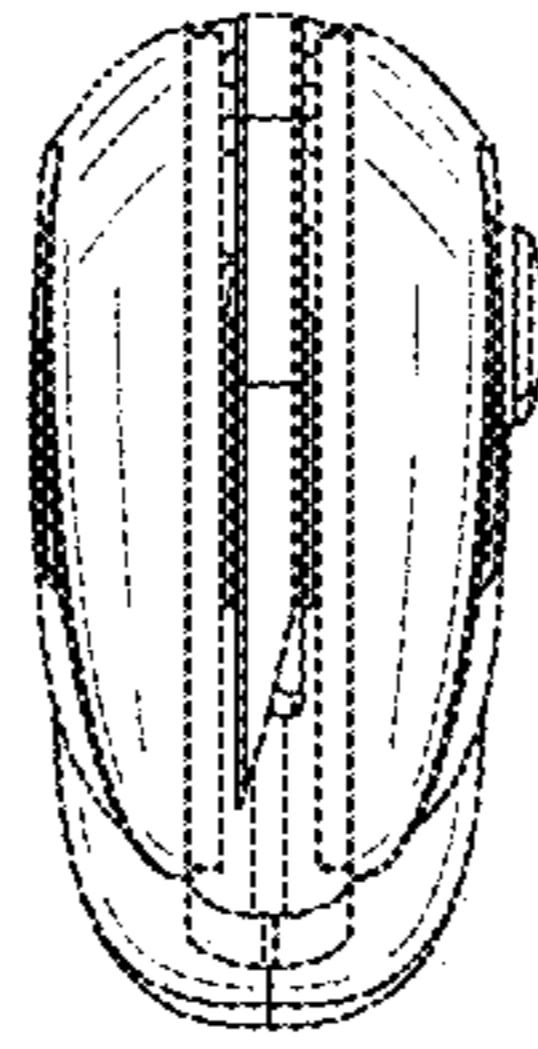


FIG. 2

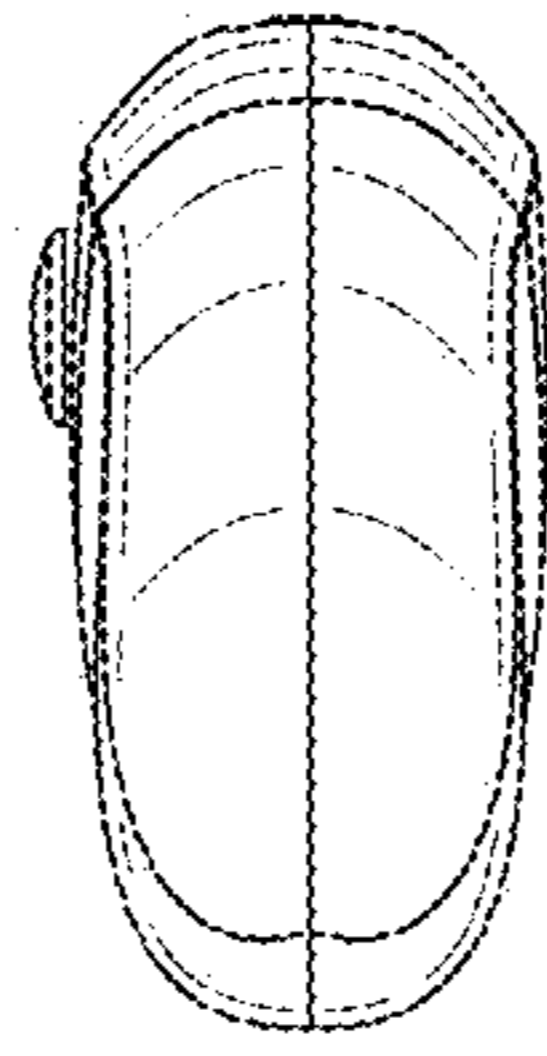


FIG. 3

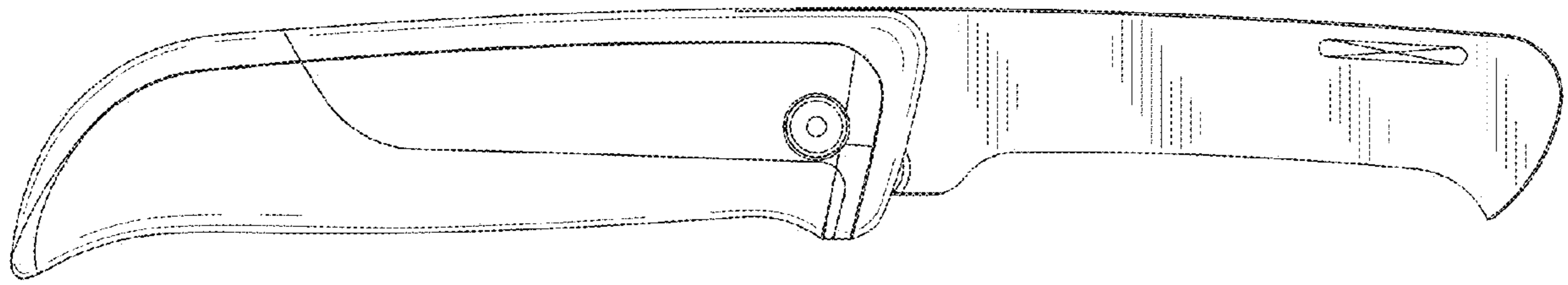


FIG. 4

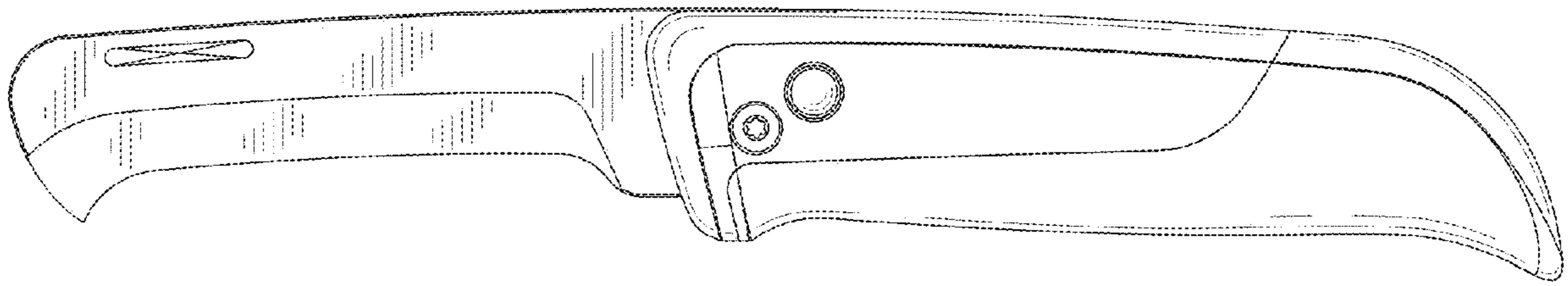


FIG. 5

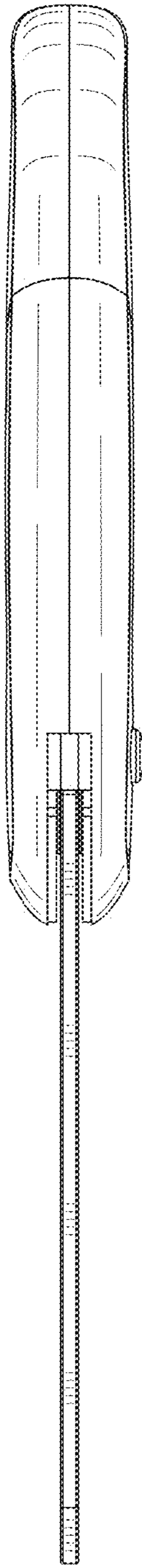


FIG. 6

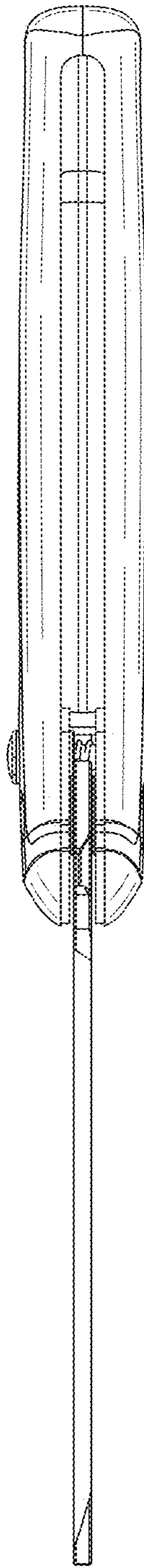


FIG. 7

UNITED STATES PATENT AND TRADEMARK OFFICE
CERTIFICATE OF CORRECTION

PATENT NO. : D917,259 S
APPLICATION NO. : 29/711678
DATED : April 27, 2021
INVENTOR(S) : Nicholas Vallo et al.

Page 1 of 1

It is certified that error appears in the above-identified patent and that said Letters Patent is hereby corrected as shown below:

On the Title Page

Item (72) Inventors: Lines 5-8:

“Nicholas Vallo, Helsinki (FI)” should read “Nicholas Vallo, Madison, WI (US)”

“Stephen Dechant, Helsinki (FI)” should read “Stephen Dechant, Waunakee, WI (US)”

“James Meiller, Helsinki (FI)” should read “James Meiller, Fitchburg, WI (US)”

“Rachel Belter, Helsinki (FI)” should read “Rachel Belter, Madison, WI (US)”

Signed and Sealed this
First Day of February, 2022



Drew Hirshfeld
*Performing the Functions and Duties of the
Under Secretary of Commerce for Intellectual Property and
Director of the United States Patent and Trademark Office*