



US00D917256S

(12) **United States Design Patent** (10) **Patent No.:** **US D917,256 S**
Smith (45) **Date of Patent:** **** Apr. 27, 2021**

(54) **COPING SAW**
(71) Applicant: **Smithline Inc.**, Peterborough (CA)
(72) Inventor: **Patrick J. Smith**, Peterborough (CA)
(73) Assignee: **Smithline Inc.**, Peterborough (CA)
(**) Term: **15 Years**
(21) Appl. No.: **29/721,075**
(22) Filed: **Jan. 17, 2020**
(30) **Foreign Application Priority Data**

6,216,350 B1 * 4/2001 Kirk B23D 49/008
30/507
D472,445 S * 4/2003 Juhlin D8/96
D475,600 S * 6/2003 Huang D8/96
D477,519 S * 7/2003 Seloron D8/96
D477,981 S * 8/2003 Snider D8/96
D486,372 S * 2/2004 Chen D8/96
D514,418 S * 2/2006 Critelli D8/96
D536,230 S * 2/2007 Dufour D8/96
D543,431 S * 5/2007 Jimenez D8/96
D551,048 S * 9/2007 Huang D8/96
D551,532 S * 9/2007 Huang D8/96
D633,359 S * 3/2011 Shih D8/96
D721,940 S * 2/2015 Vanderbeek D8/96
D755,034 S * 5/2016 DeBaker D8/97
2005/0044731 A1 * 3/2005 Ranieri B23D 51/125
30/513

Jul. 18, 2019 (CA) 188888
(51) **LOC (13) Cl.** **08-03**
(52) **U.S. Cl.**
USPC **D8/96**
(58) **Field of Classification Search**
USPC D8/14, 95, 96, 97, 98, 105
CPC B27B 21/00; B27B 21/02; B23D 61/123;
B23D 51/14; B23D 49/008; B23D 61/185
See application file for complete search history.

* cited by examiner

Primary Examiner — Philip S Hyder
(74) *Attorney, Agent, or Firm* — Young Basile Hanlon & MacFarlane, P.C.

(57) **CLAIM**

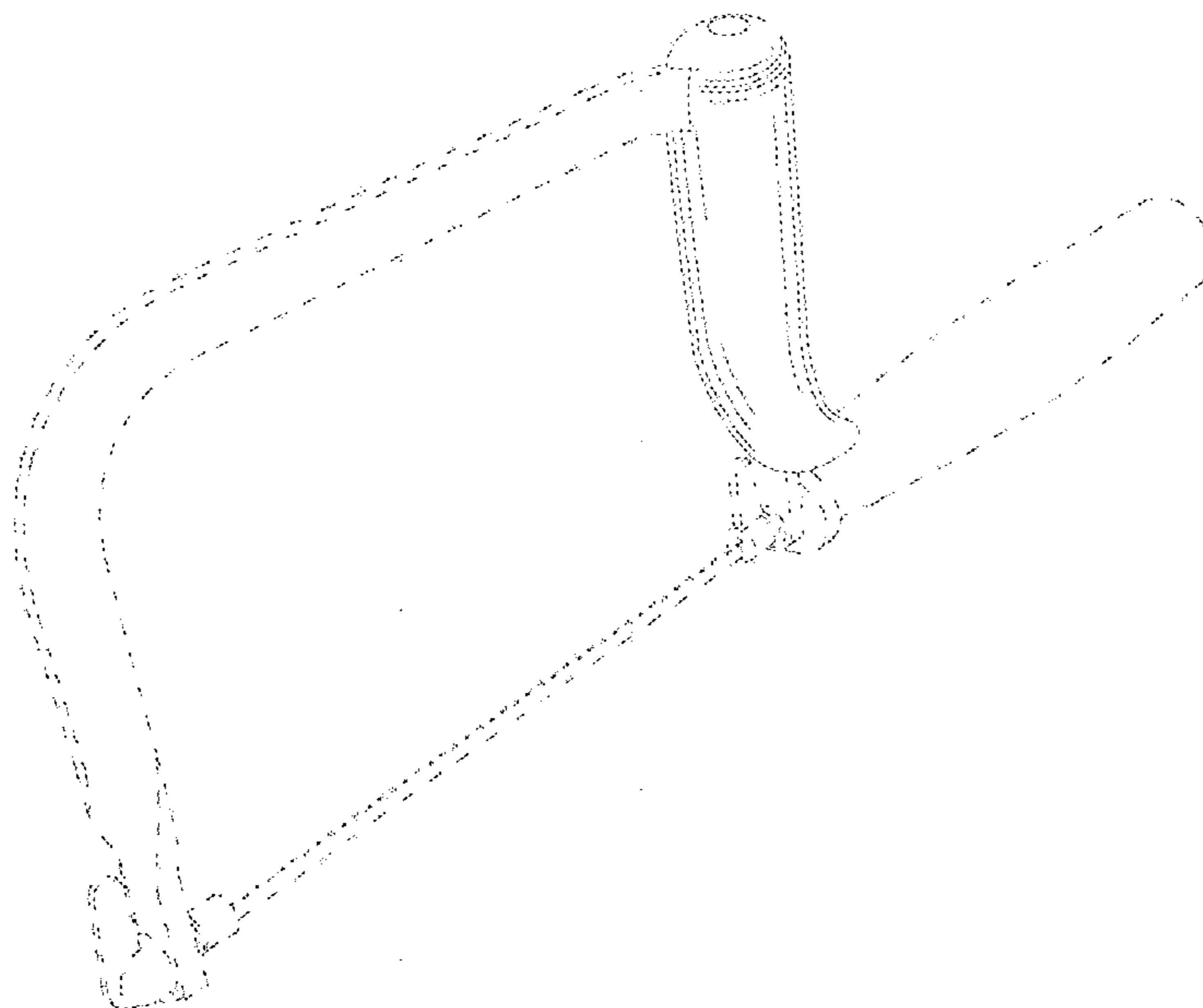
The ornamental design for a coping saw, as shown.

DESCRIPTION

FIG. 1 is a perspective view of a coping saw, embodying the new design.
FIG. 2 is a rear-quarter perspective view of the coping saw;
FIG. 3 is a left-side view of the coping saw;
FIG. 4 is a right-side view of the coping saw;
FIG. 5 is a bottom-view of the coping saw;
FIG. 6 is a top-view of the coping saw;
FIG. 7 is a rear-view of the coping saw; and,
FIG. 8 is a front-view of the coping saw.
The broken lines depict portions of the coping saw in which the design is embodied that are not considered part of the claimed design.

(56) **References Cited**
U.S. PATENT DOCUMENTS
2,795,251 A * 6/1957 Oleksy B23D 51/14
30/509
4,095,635 A * 6/1978 Hutchins B23D 51/14
30/509
4,592,145 A * 6/1986 Egan B27G 19/006
30/295
D318,006 S * 7/1991 Wanner D8/96
D325,506 S * 4/1992 Michas D8/96
5,388,333 A * 2/1995 Chen B23D 51/125
30/507
D370,610 S * 6/1996 Neyton D8/96
D409,892 S * 5/1999 Juhlin D8/96

1 Claim, 6 Drawing Sheets



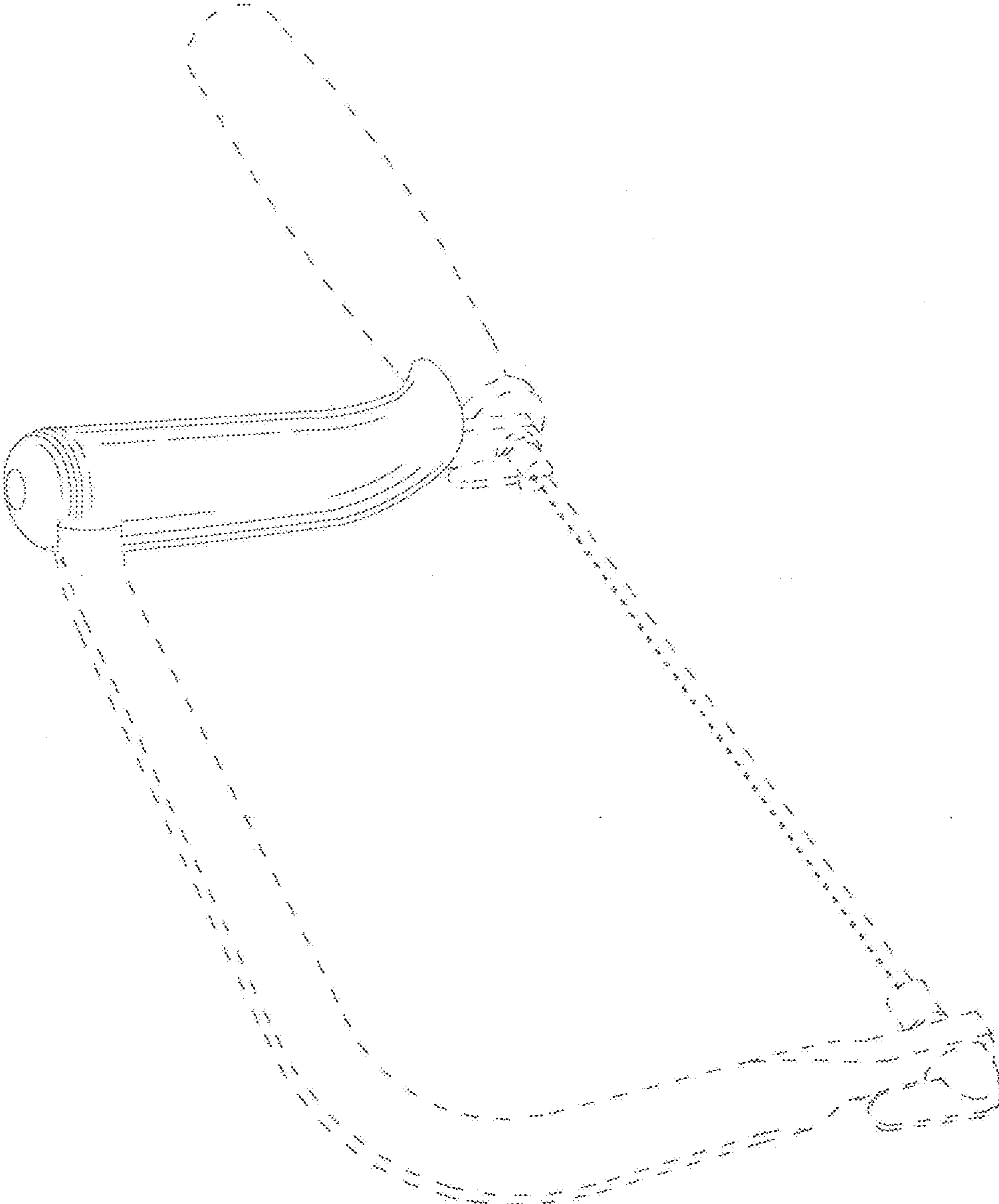


FIG.1

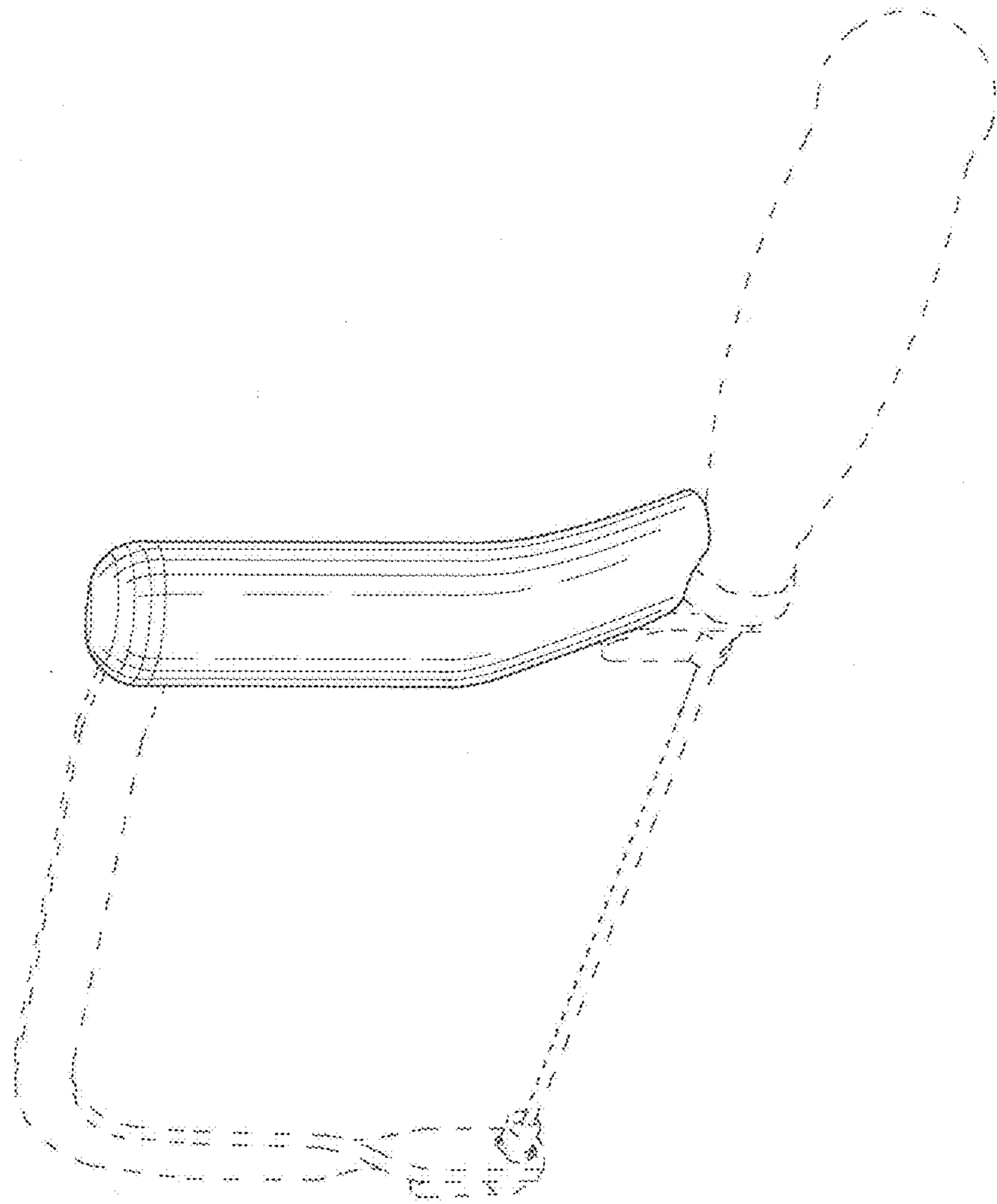


FIG.2

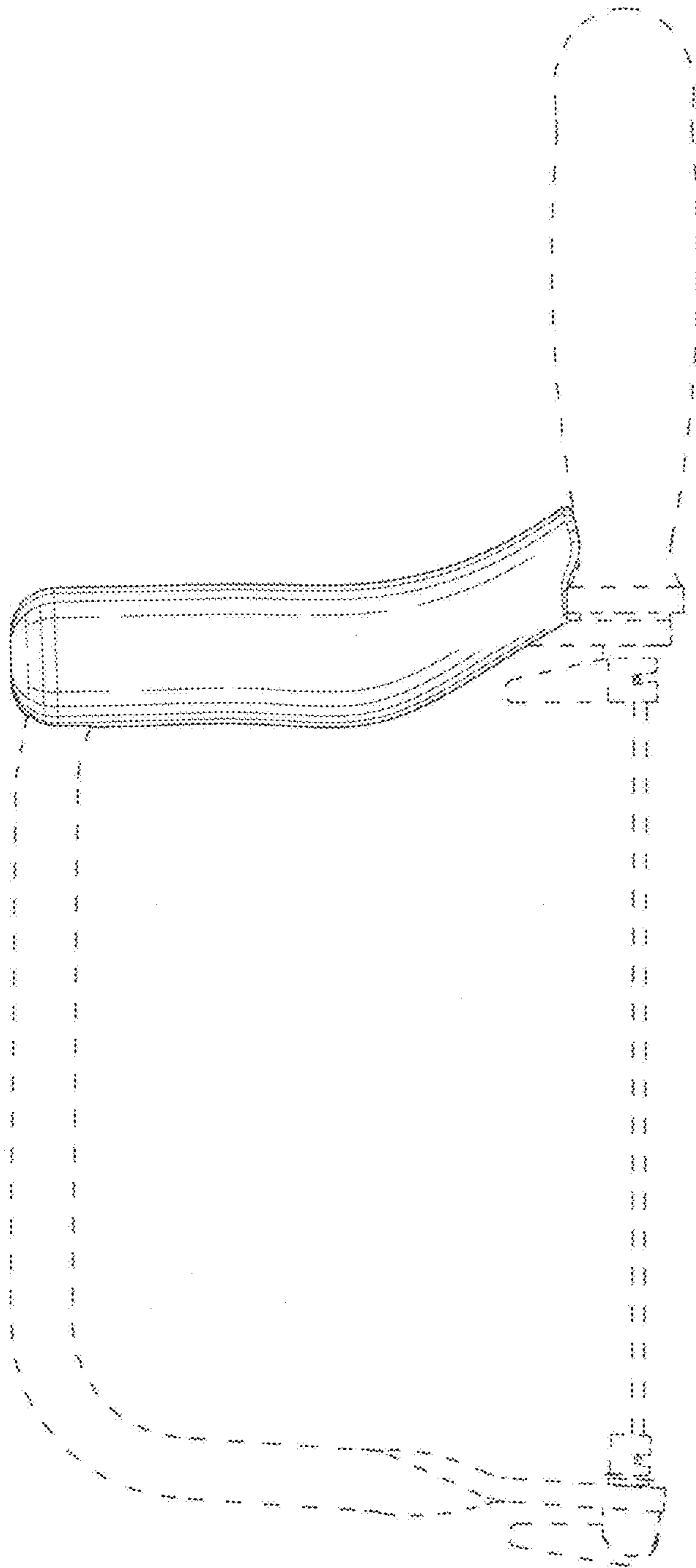


FIG.3

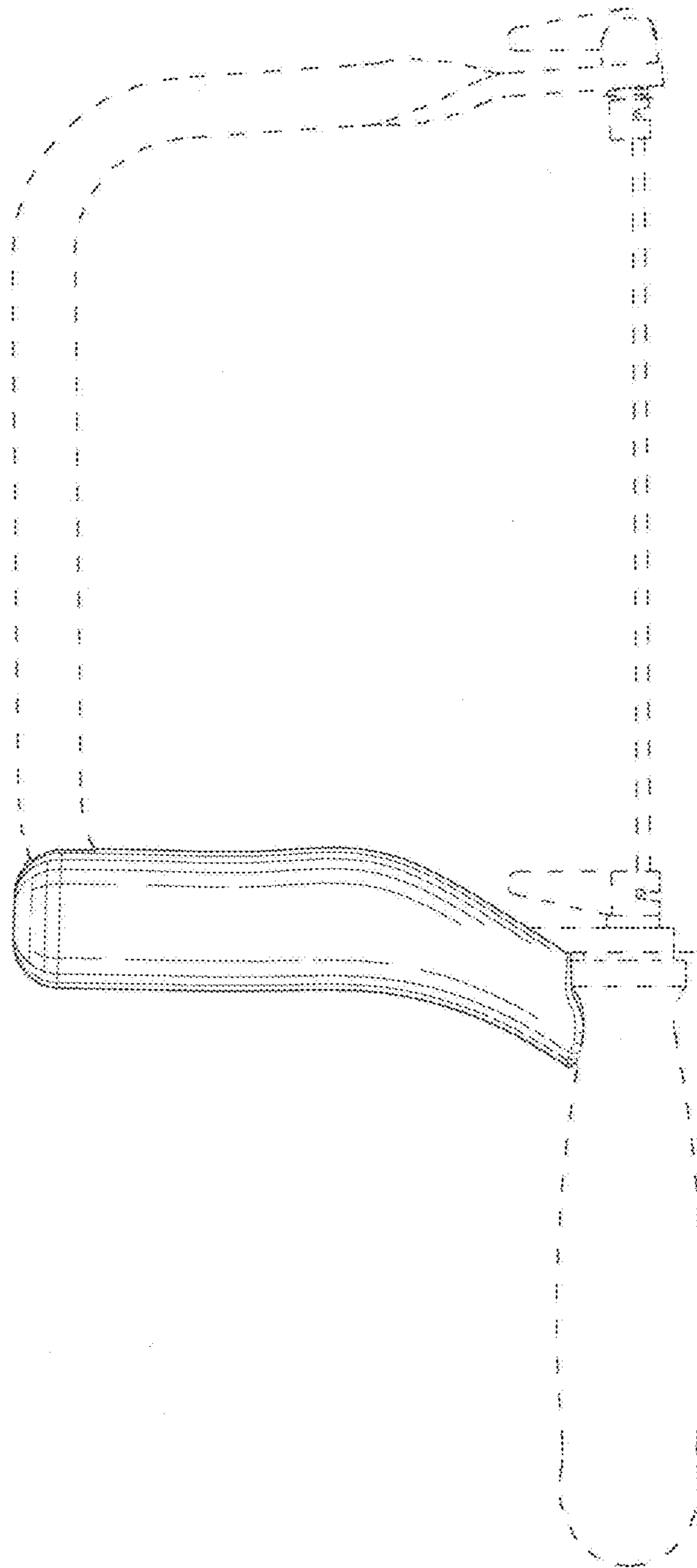


FIG.4

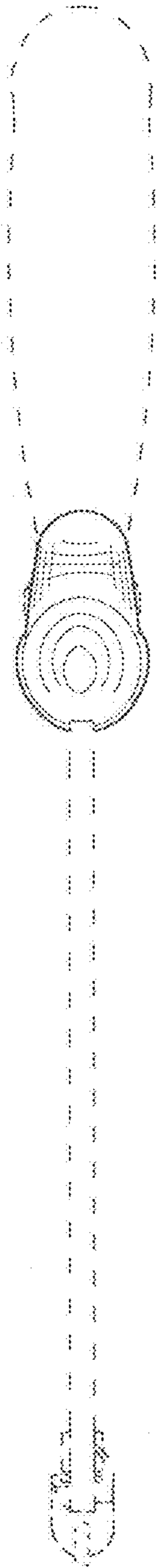


FIG. 5

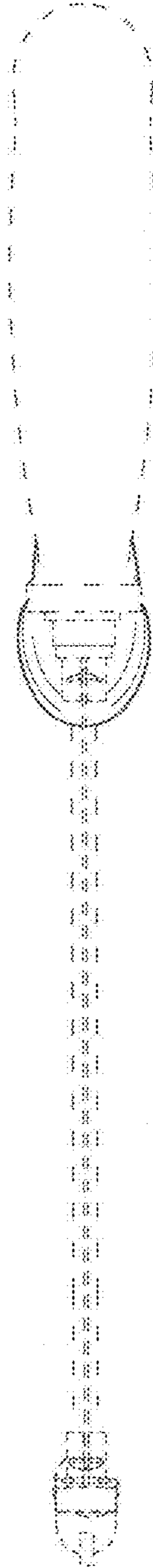


FIG. 6

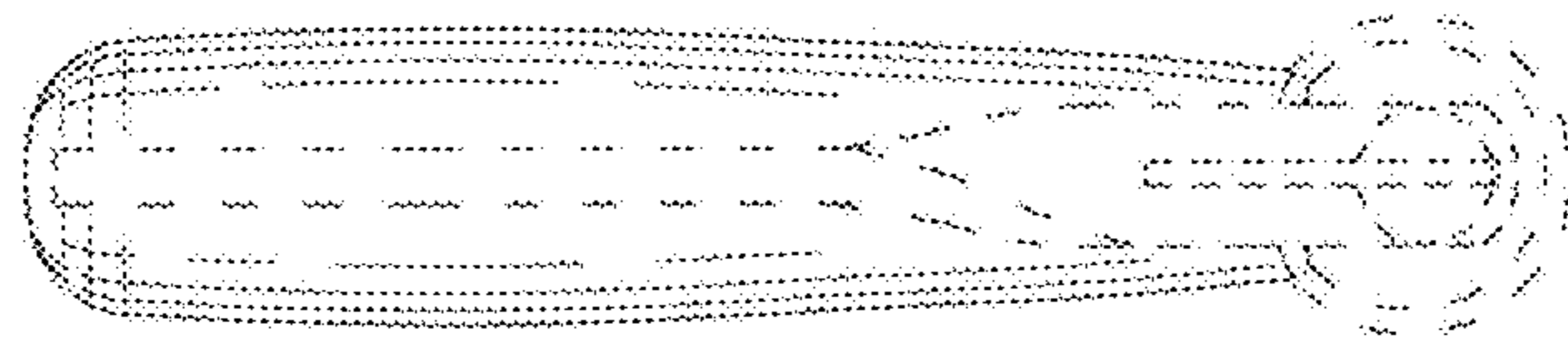


FIG. 8

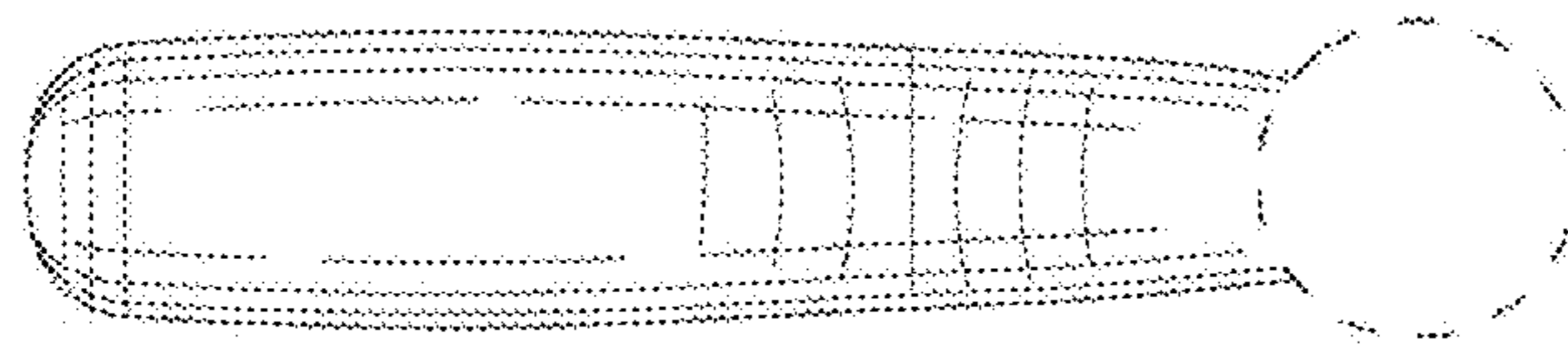


FIG. 7