



US00D917254S

(12) **United States Design Patent**
Oide

(10) **Patent No.:** **US D917,254 S**

(45) **Date of Patent:** **** Apr. 27, 2021**

(54) **HYDRAULIC PUNCHER**

(71) Applicant: **Ogura & Co., Ltd.**, Kanagawa (JP)

(72) Inventor: **Eisuke Oide**, Ebina (JP)

(73) Assignee: **OGURA & CO., LTD.**, Kanagawa (JP)

(**) Term: **15 Years**

(21) Appl. No.: **35/508,601**

(22) Filed: **Dec. 10, 2018**

(80) **Hague Agreement Data**

Int. Filing Date: **Dec. 10, 2018**

Int. Reg. No.: **DM/205701**

Int. Reg. Date: **Dec. 10, 2018**

Int. Reg. Pub. Date: **Feb. 14, 2020**

(51) **LOC (13) Cl.** **08-05**

(52) **U.S. Cl.**
USPC **D8/70**

(58) **Field of Classification Search**
USPC D8/61, 67, 70; D15/126, 128
CPC B26F 1/34; B21D 28/243
See application file for complete search history.

(56) **References Cited**

U.S. PATENT DOCUMENTS

- D346,539 S * 5/1994 Saito D15/128
- 5,416,975 A * 5/1995 Saito B21D 28/243
30/228
- 5,598,635 A * 2/1997 Saito B26F 1/34
30/362
- D515,384 S * 2/2006 Hutchings D8/70
- D646,542 S * 10/2011 Wackwitz D8/70
- D744,799 S * 12/2015 Rodenhouse D8/70
- D775,248 S * 12/2016 Avellaneda D15/140
- D780,548 S * 3/2017 Pomeroy D8/70
- D798,685 S * 10/2017 Matsui D8/70
- D856,102 S * 8/2019 Jessen D8/70

- D859,481 S * 9/2019 Nishimiya D15/130
- D871,876 S * 1/2020 McClure F16B 33/002
D8/70
- D877,590 S * 3/2020 Zimmermann D8/70

* cited by examiner

Primary Examiner — Darlington Ly

(74) *Attorney, Agent, or Firm* — Andrew F. Young, Esq.;
Nolte Lackenbach Siegel

(57) **CLAIM**

The ornamental design for a hydraulic puncher, as shown and described.

DESCRIPTION

1. Hydraulic puncher

1.1 is a top, front, and right side perspective view of a hydraulic puncher embodying my new design;

1.2 is a top, rear, and left side perspective view thereof;

1.3 is a right side elevation view thereof;

1.4 is a left side elevation view thereof;

1.5 is a top plan view thereof;

1.6 is a bottom plan view thereof;

1.7 is a front elevation view thereof;

1.8 is an enlarged top, front, and right side perspective view thereof;

1.9 is an enlarged top, rear, and right side perspective view thereof;

1.10 is an enlarged right side elevation view thereof;

1.11 is an enlarged top plan view thereof;

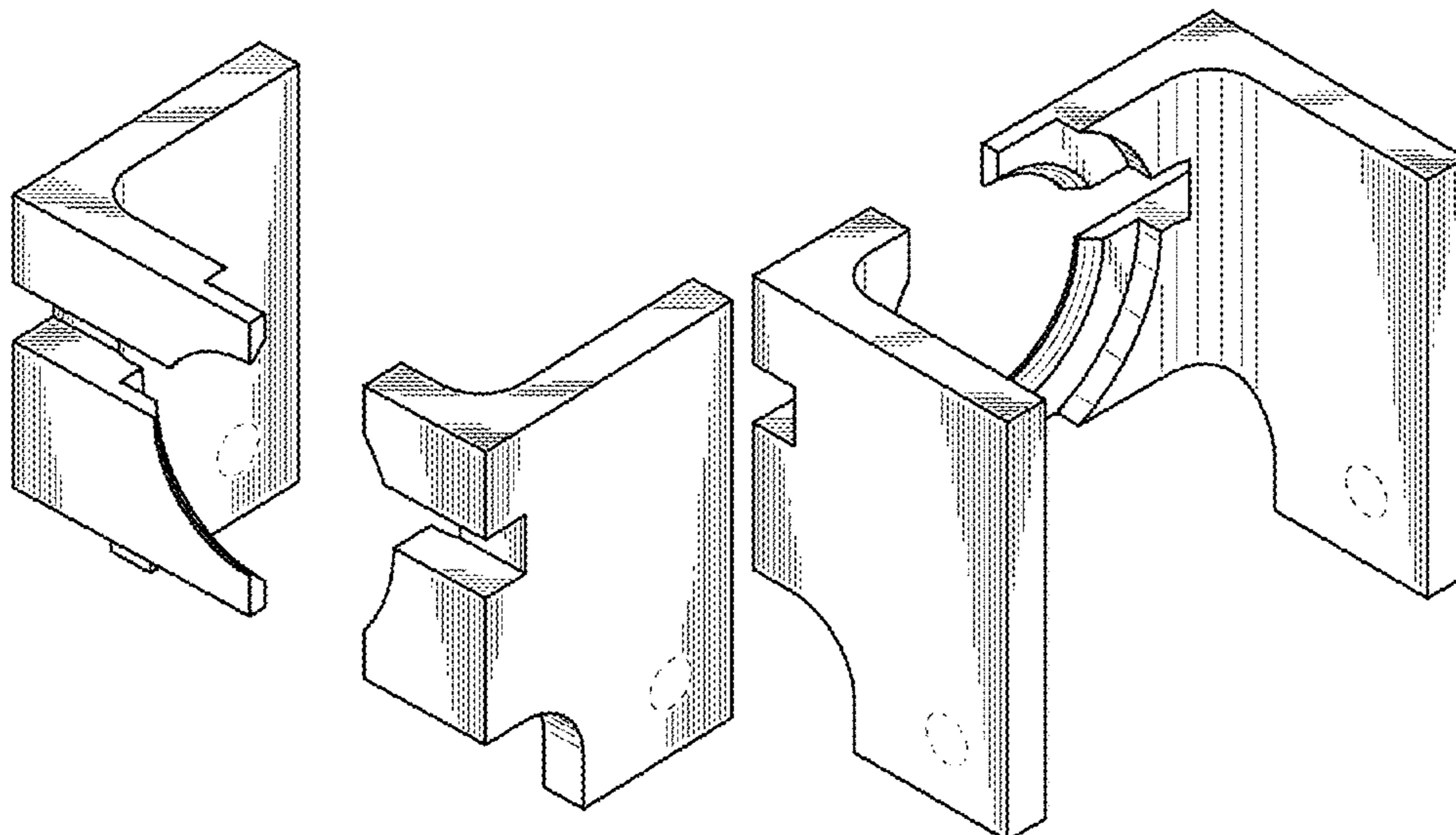
1.12 is an enlarged bottom plan view thereof;

1.13 is an enlarged front elevation view thereof; and

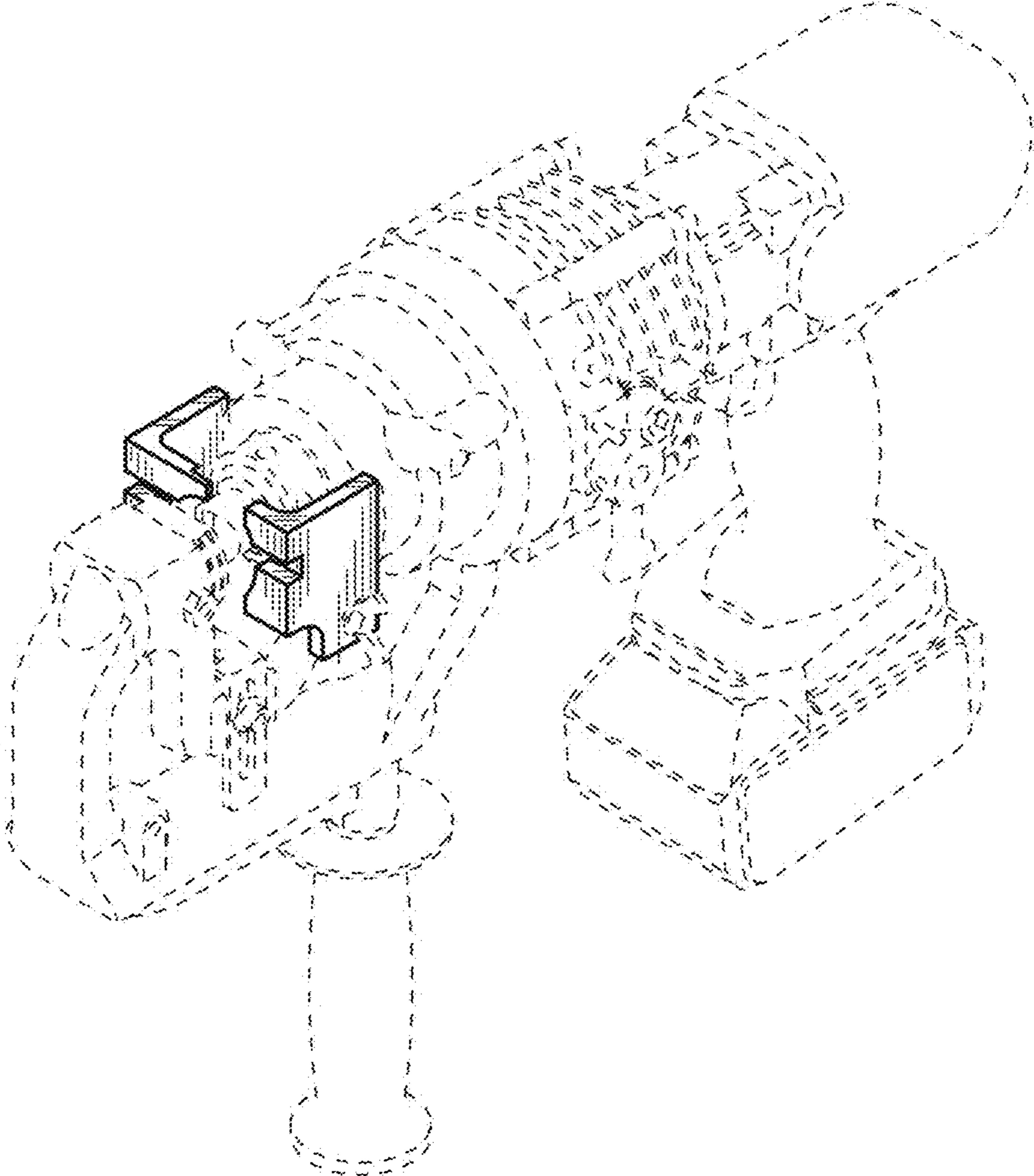
1.14 is an enlarged rear elevation view thereof.

The broken lines in the reproductions illustrate portions of the hydraulic puncher and an environmental power tool that form no part of the claimed design.

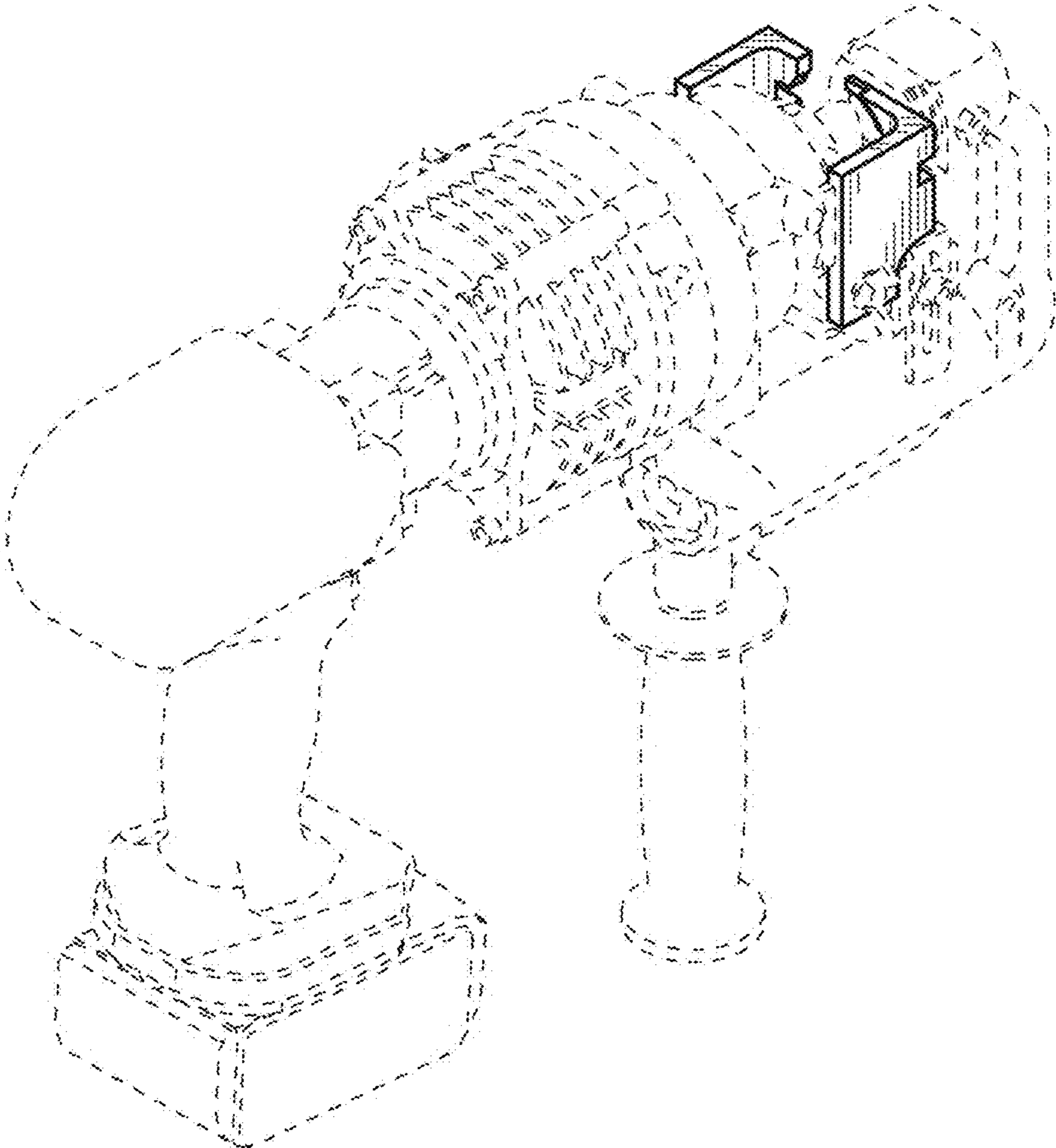
1 Claim, 14 Drawing Sheets



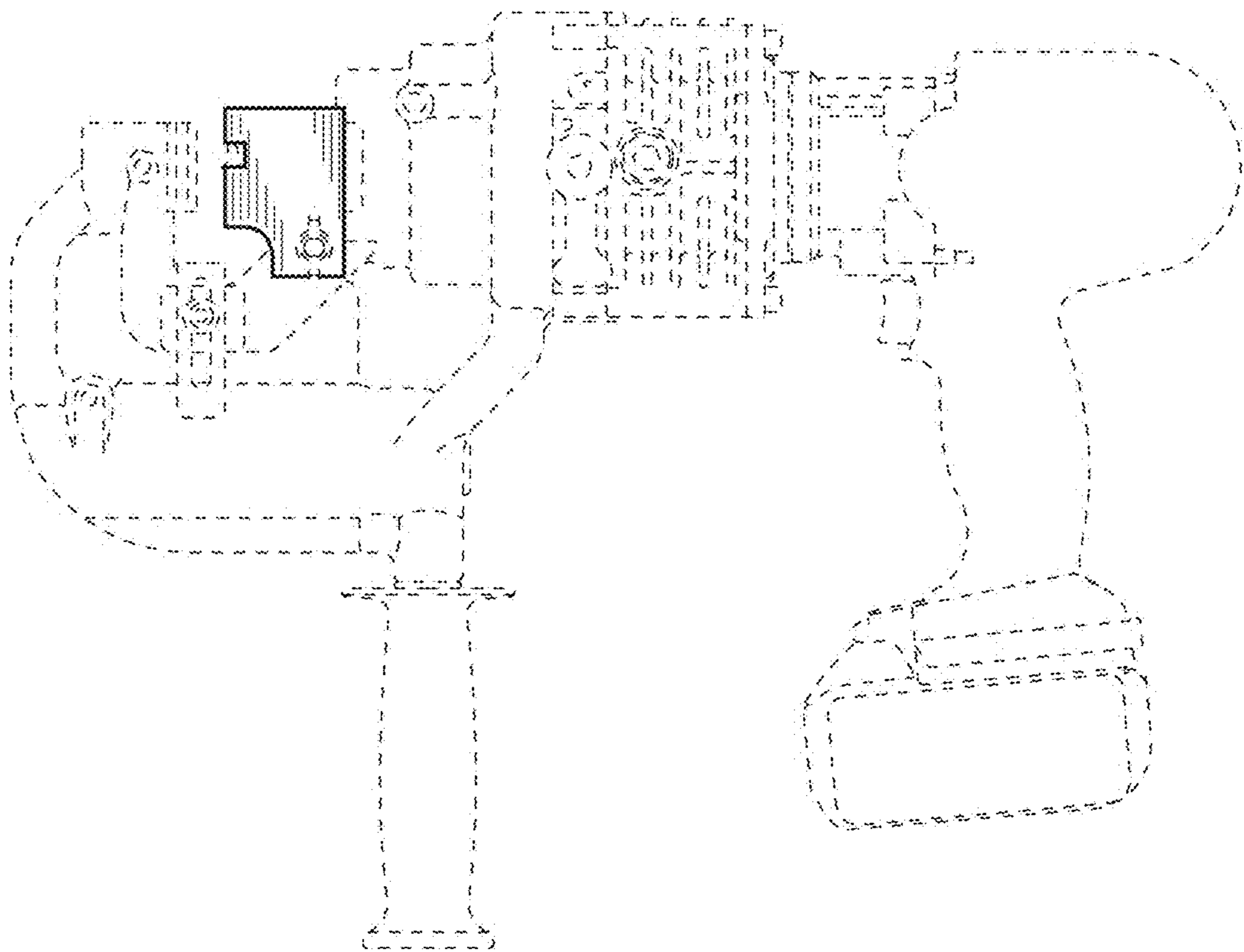
1.1



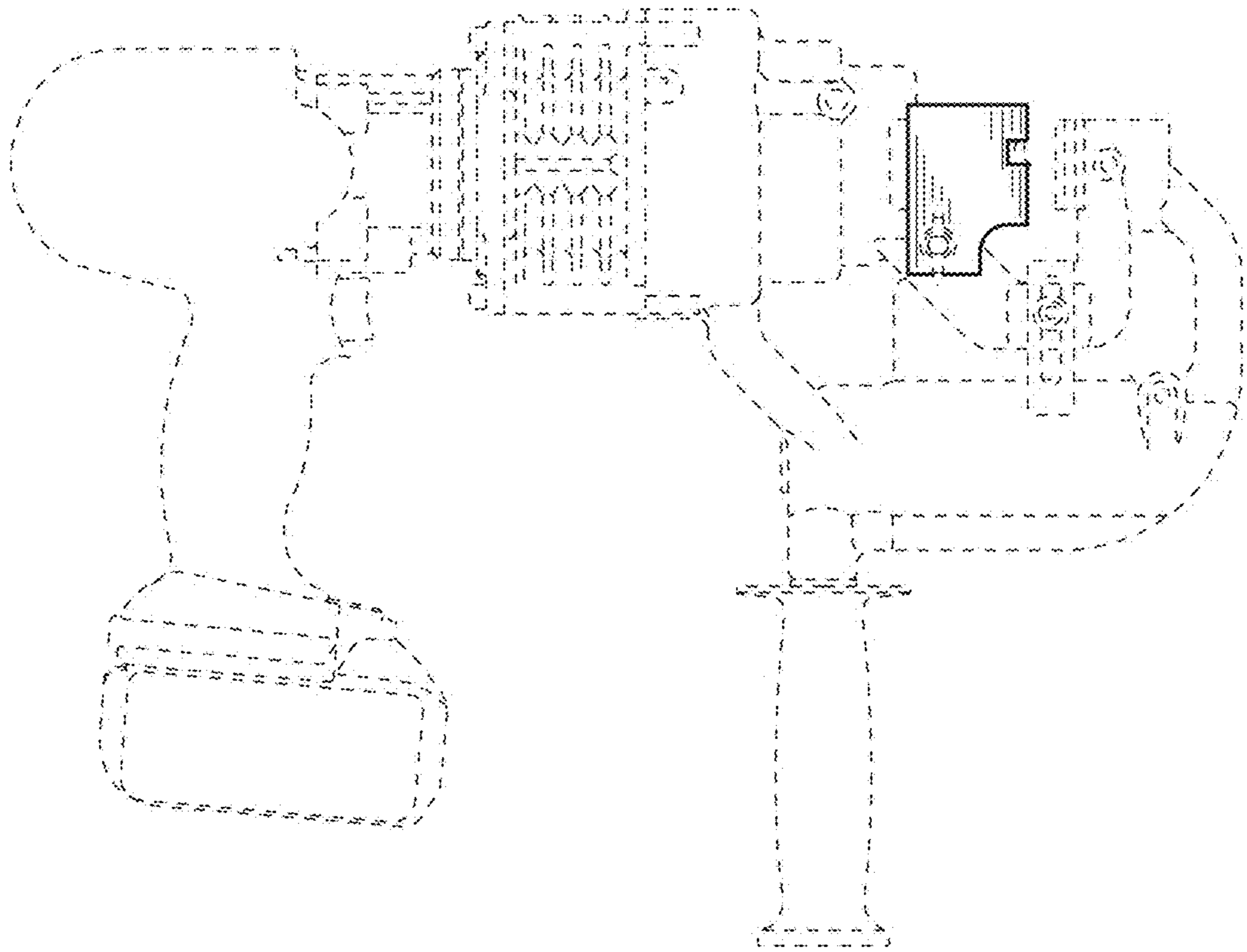
1.2



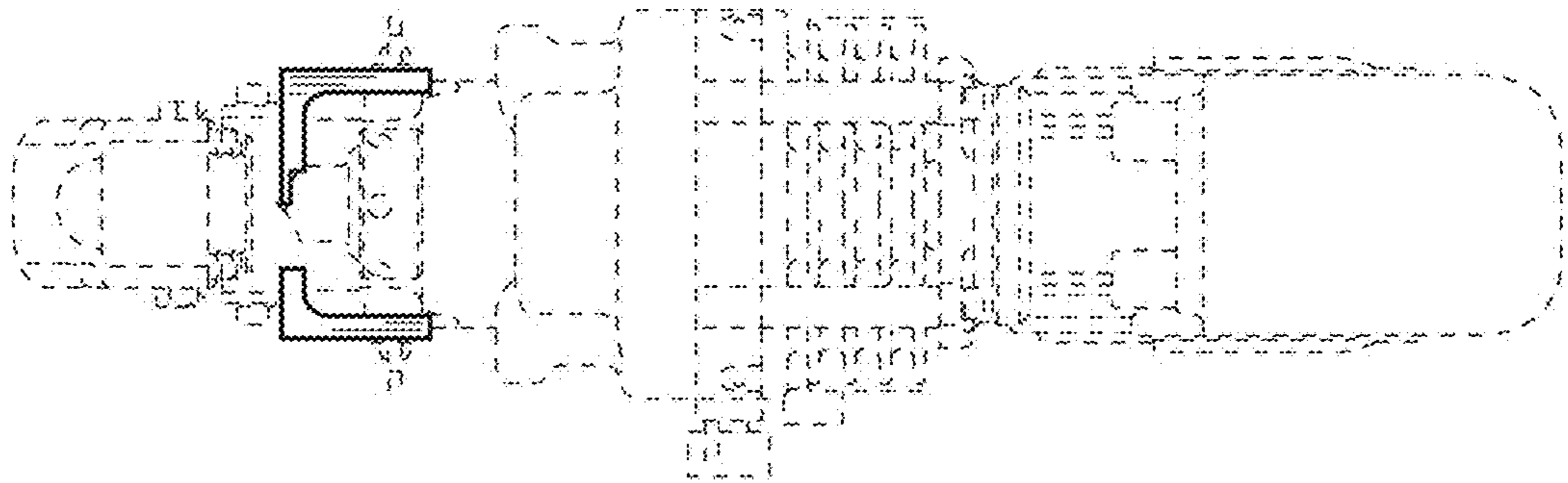
1.3



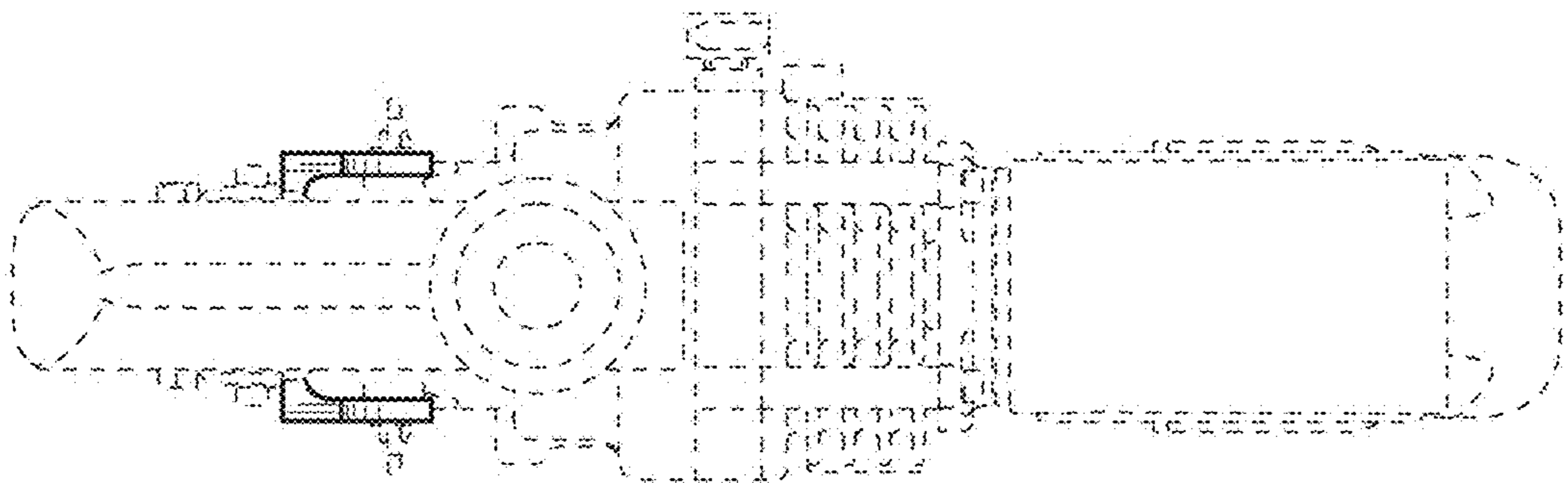
1.4



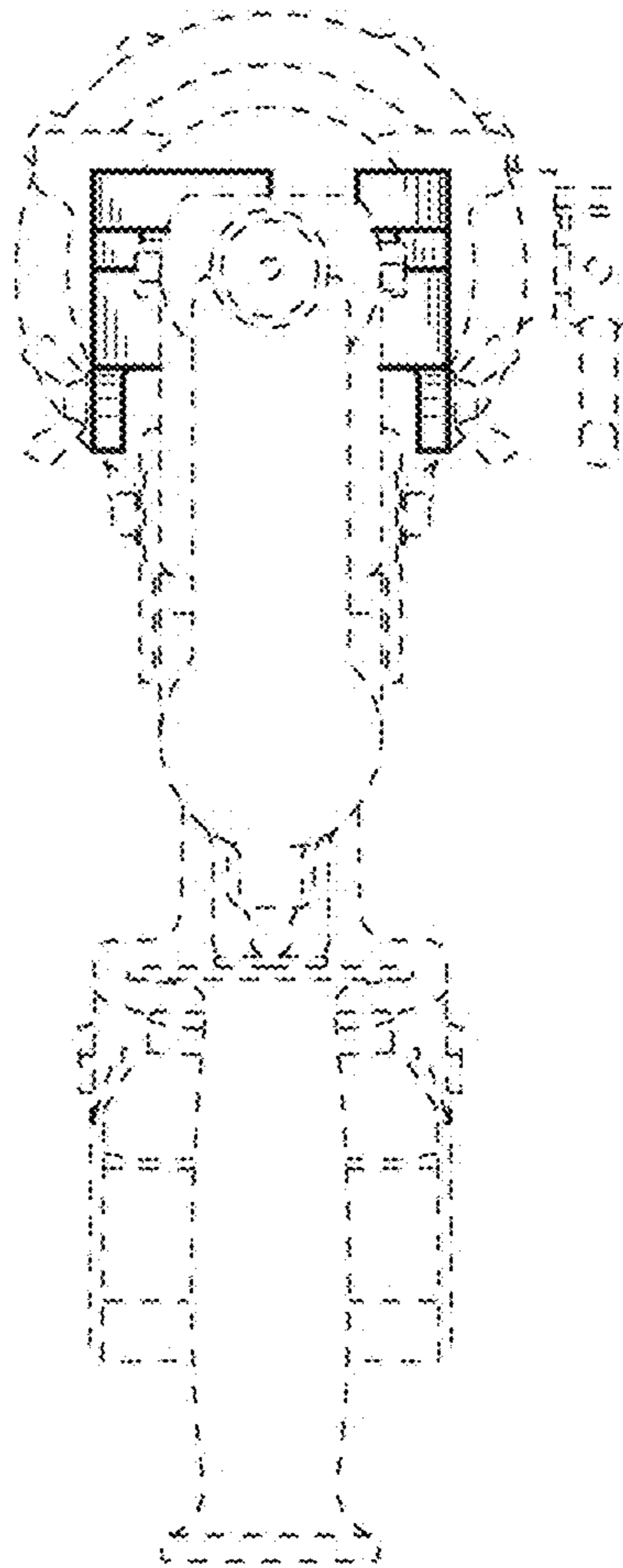
1.5



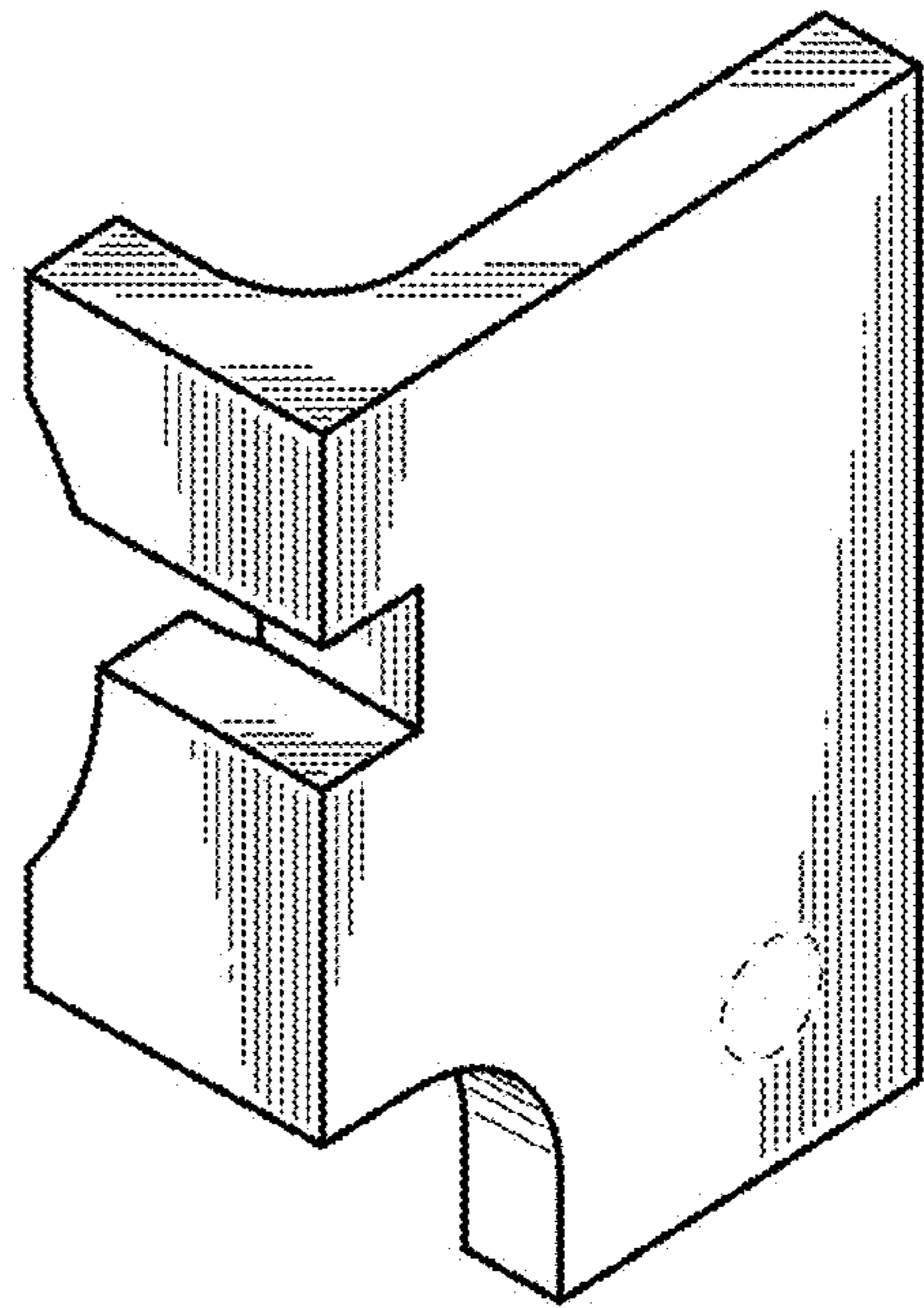
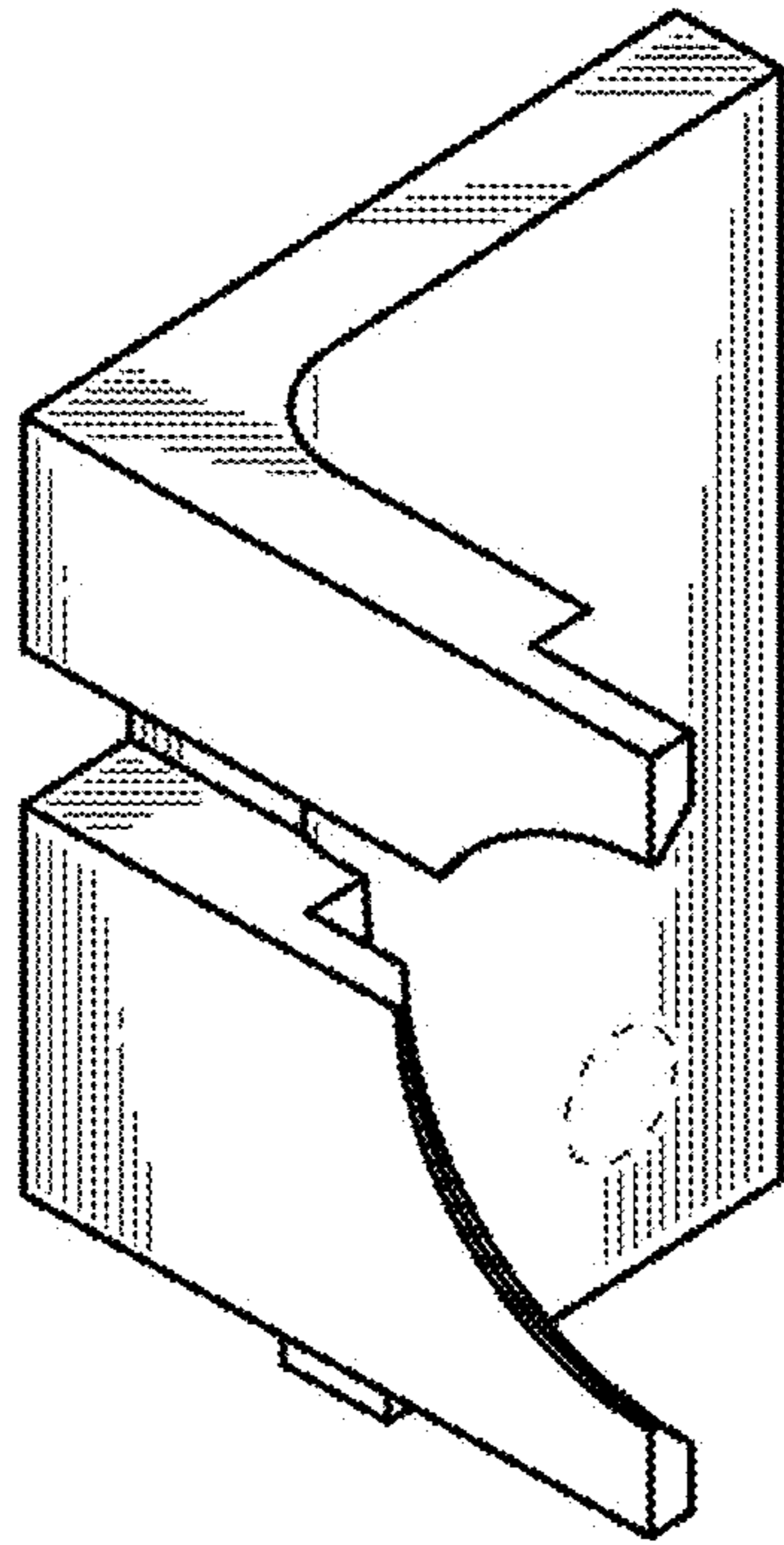
1.6



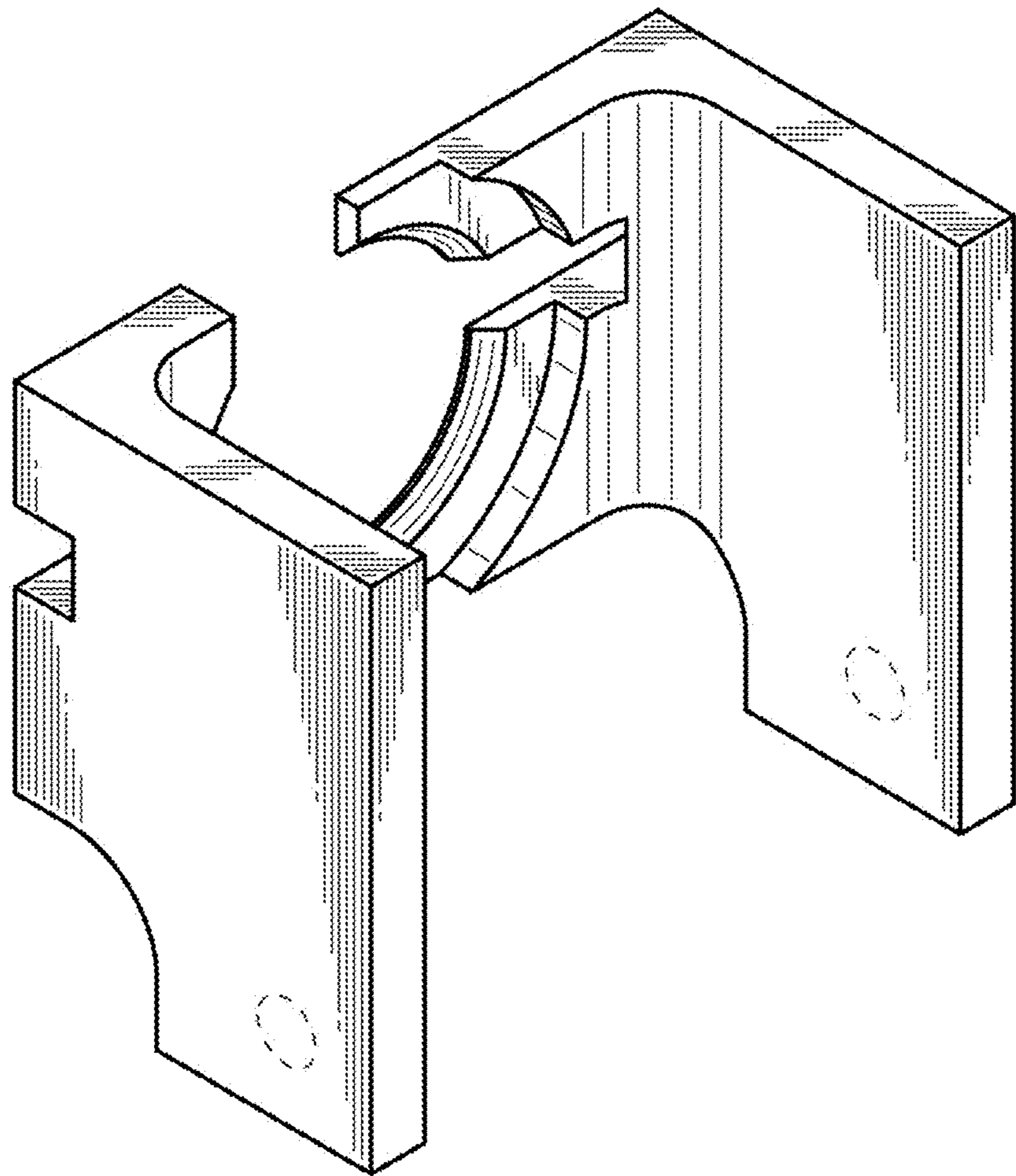
1.7



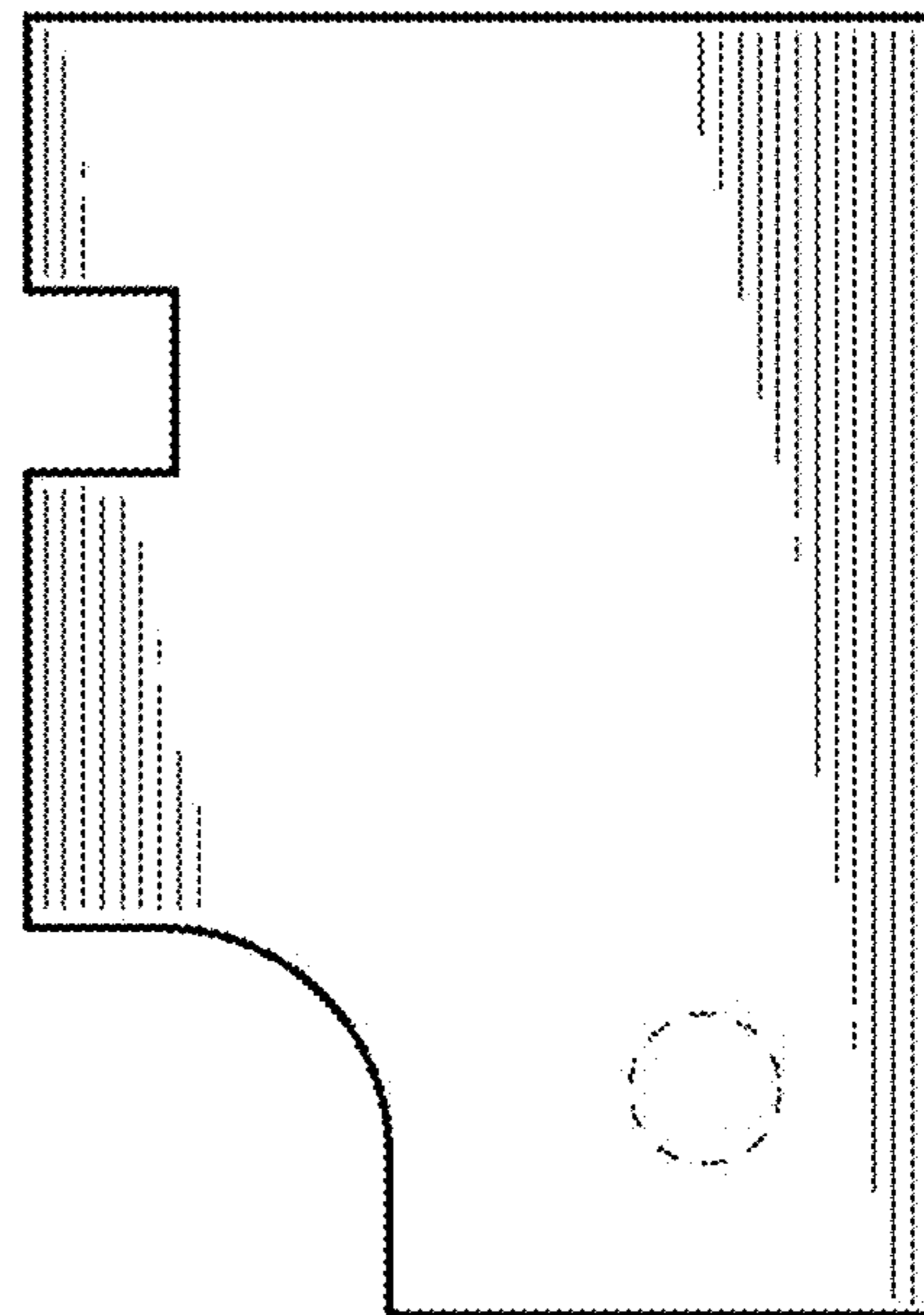
1.8



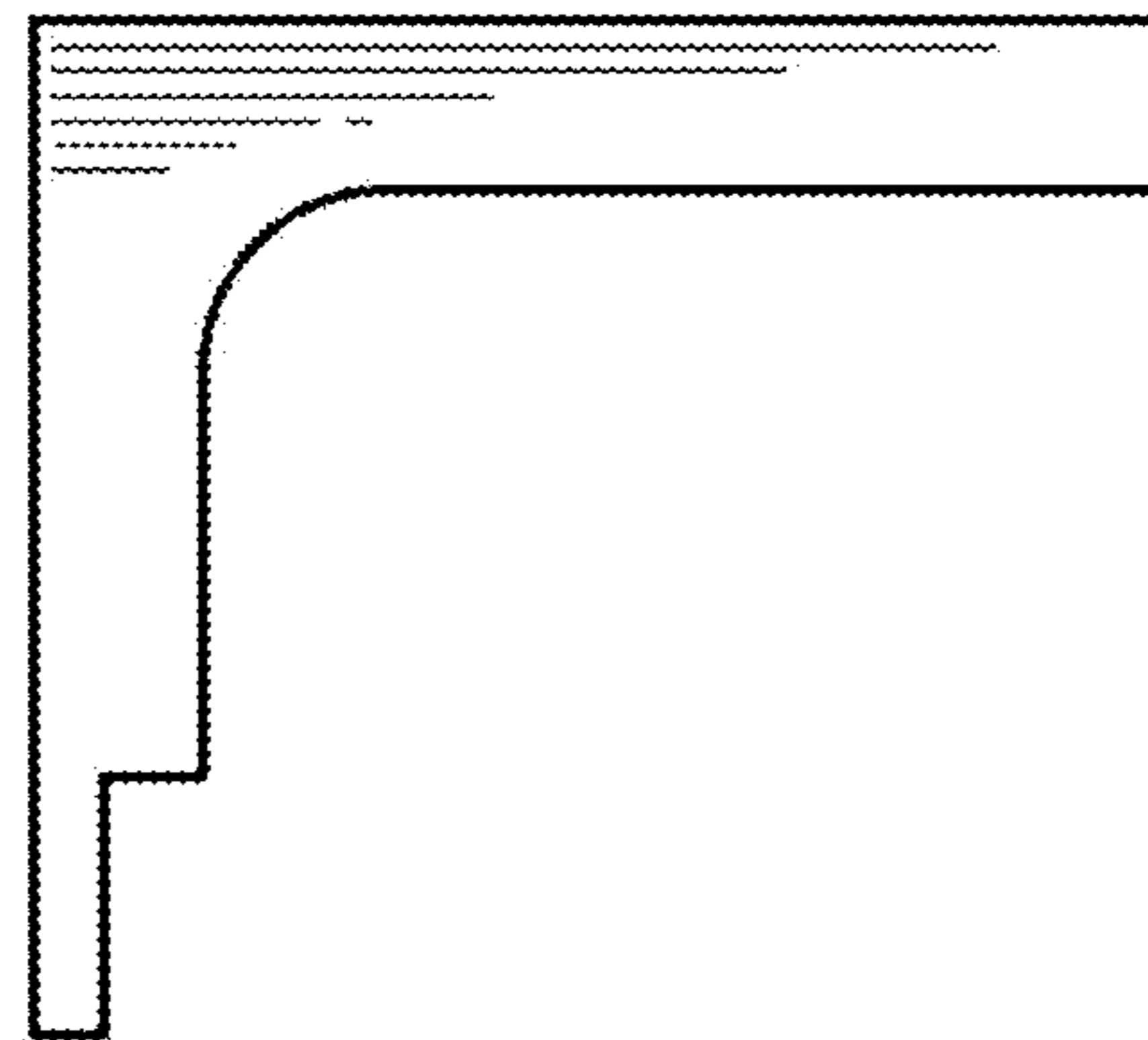
1.9



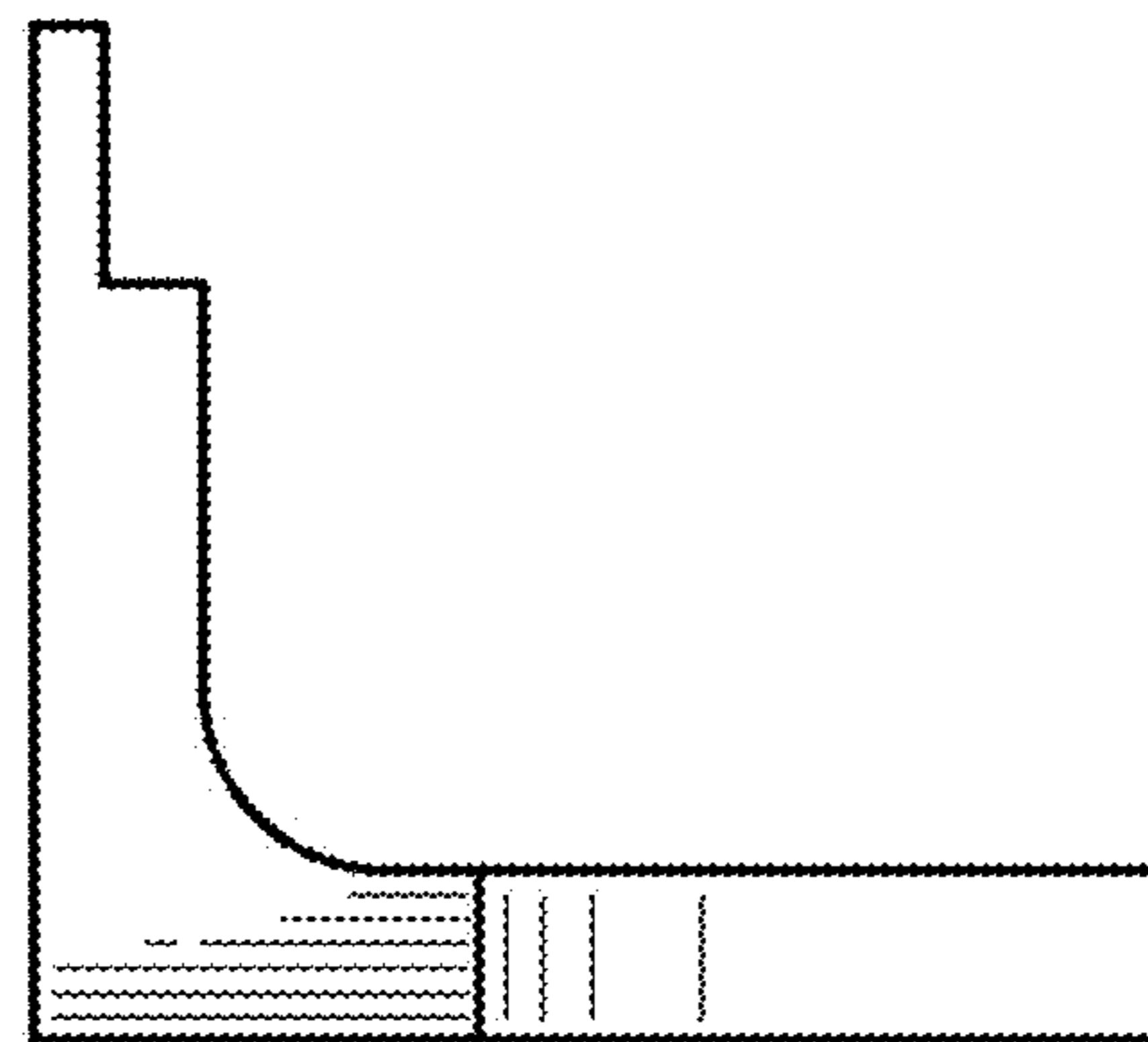
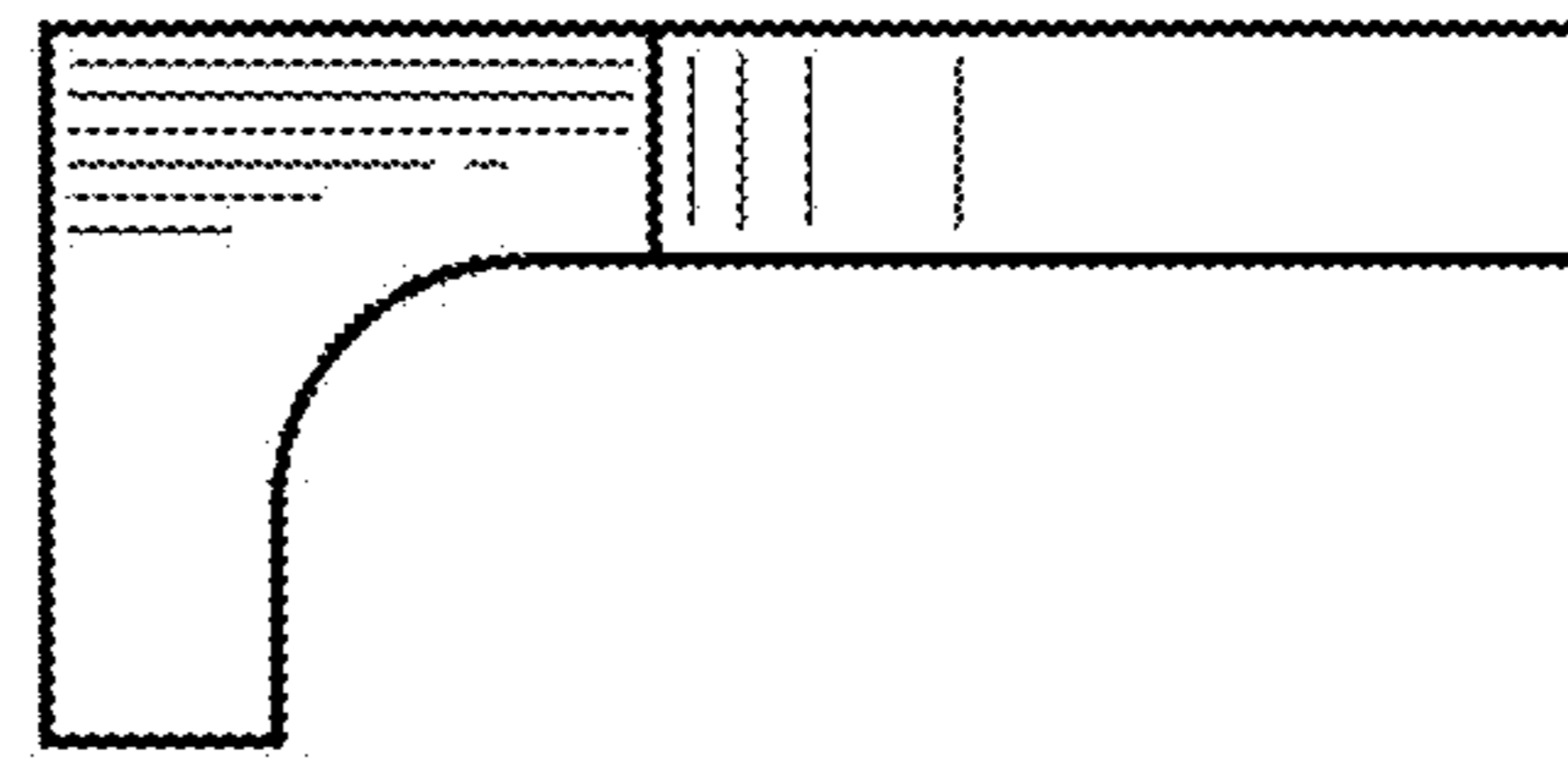
1.10



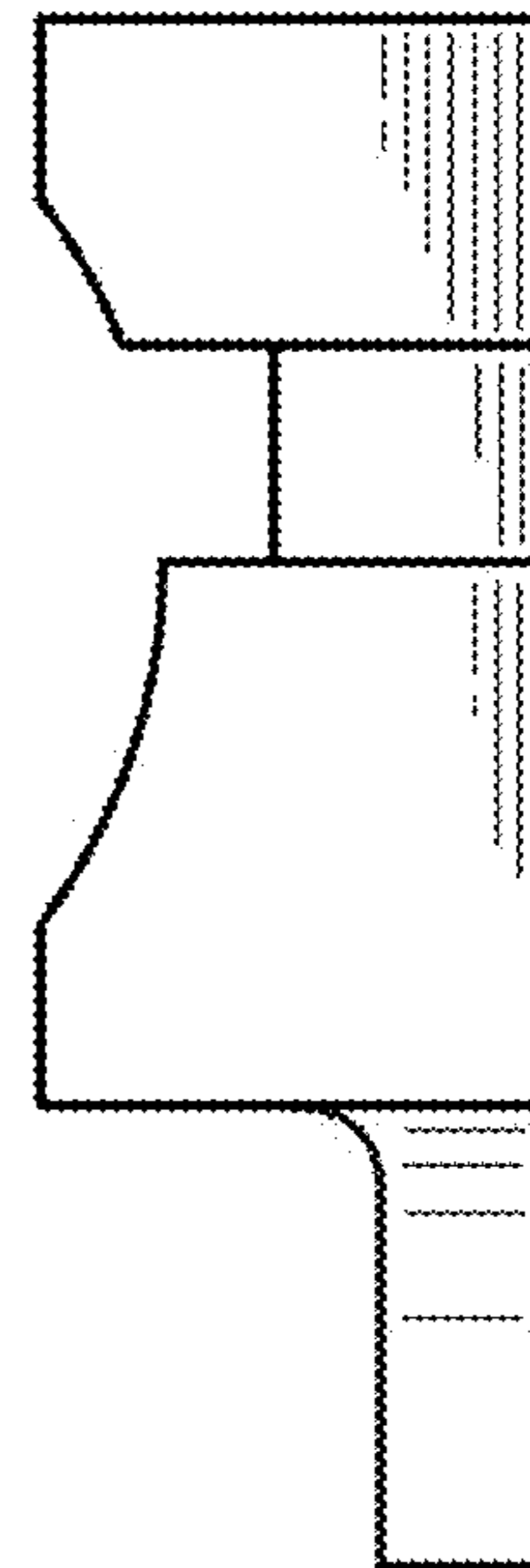
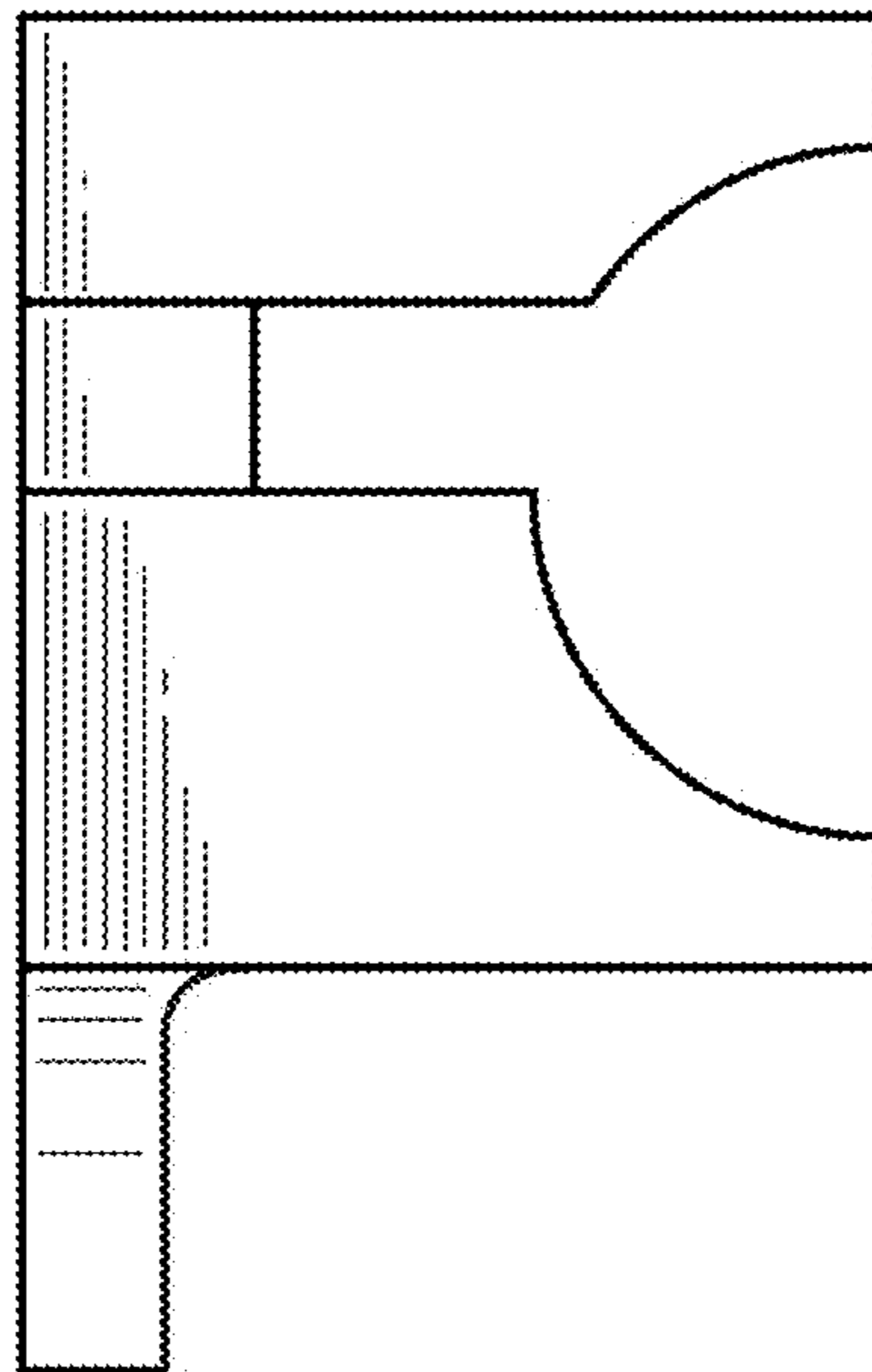
1.11



1.12



1.13



1.14

