



US00D917252S

(12) **United States Design Patent** (10) **Patent No.:** **US D917,252 S**
Durbin (45) **Date of Patent:** **** *Apr. 27, 2021**

- (54) **RATCHET BINDER**
- (71) Applicant: **Thomas Joseph Durbin**, Broadview, IL (US)
- (72) Inventor: **Thomas Joseph Durbin**, Broadview, IL (US)
- (*) Notice: This patent is subject to a terminal disclaimer.
- (**) Term: **15 Years**
- (21) Appl. No.: **29/710,245**
- (22) Filed: **Oct. 22, 2019**
- (51) **LOC (13) Cl.** **08-05**
- (52) **U.S. Cl.**
USPC **D8/44; D8/14**
- (58) **Field of Classification Search**
USPC D8/14, 16-19, 21-29, 51, 52, 54-59, D8/44-47, 31-32, 88, 89; 81/125.1, 81/177.1, 119, 124.7, 124.3, 186, 431, 81/176.15, 461.1, 99, 98, 100, 147, 185.1; 254/231-232, 237, 243, 244, 247, 249
CPC F16G 11/00; F16G 11/12; B60B 39/12; B60B 39/00; B60P 7/08; B60P 7/0853; F16H 31/002
See application file for complete search history.

- 3,065,007 A 11/1962 Colmer, Jr.
- 3,179,373 A 4/1965 Cochran
- 3,233,869 A 2/1966 St Pierre
- 3,338,359 A 8/1967 Baillie et al.
- 3,418,008 A 12/1968 Durbin
- (Continued)

OTHER PUBLICATIONS

US Cargo Control Store, Peerless Ratchet Binder Plus Loadbinder— $\frac{3}{8}$ Inch \times $\frac{1}{2}$ Inch Load Binder—Date first available Dec. 14, 2017, [online]retrieved Oct. 21, 2020, available from internet, https://www.amazon.com/dp/B0788VR27L/ref=sspa_dk_detail_1?psc=1&pd_rd_i=B0788VR27L&pd_rd_w=kF (Year: 2017).*

(Continued)

Primary Examiner — Keli L Hill
Assistant Examiner — Sara S Sahnneh
 (74) *Attorney, Agent, or Firm* — McConnell Law Firm;
 Robert McConnell

(57) **CLAIM**

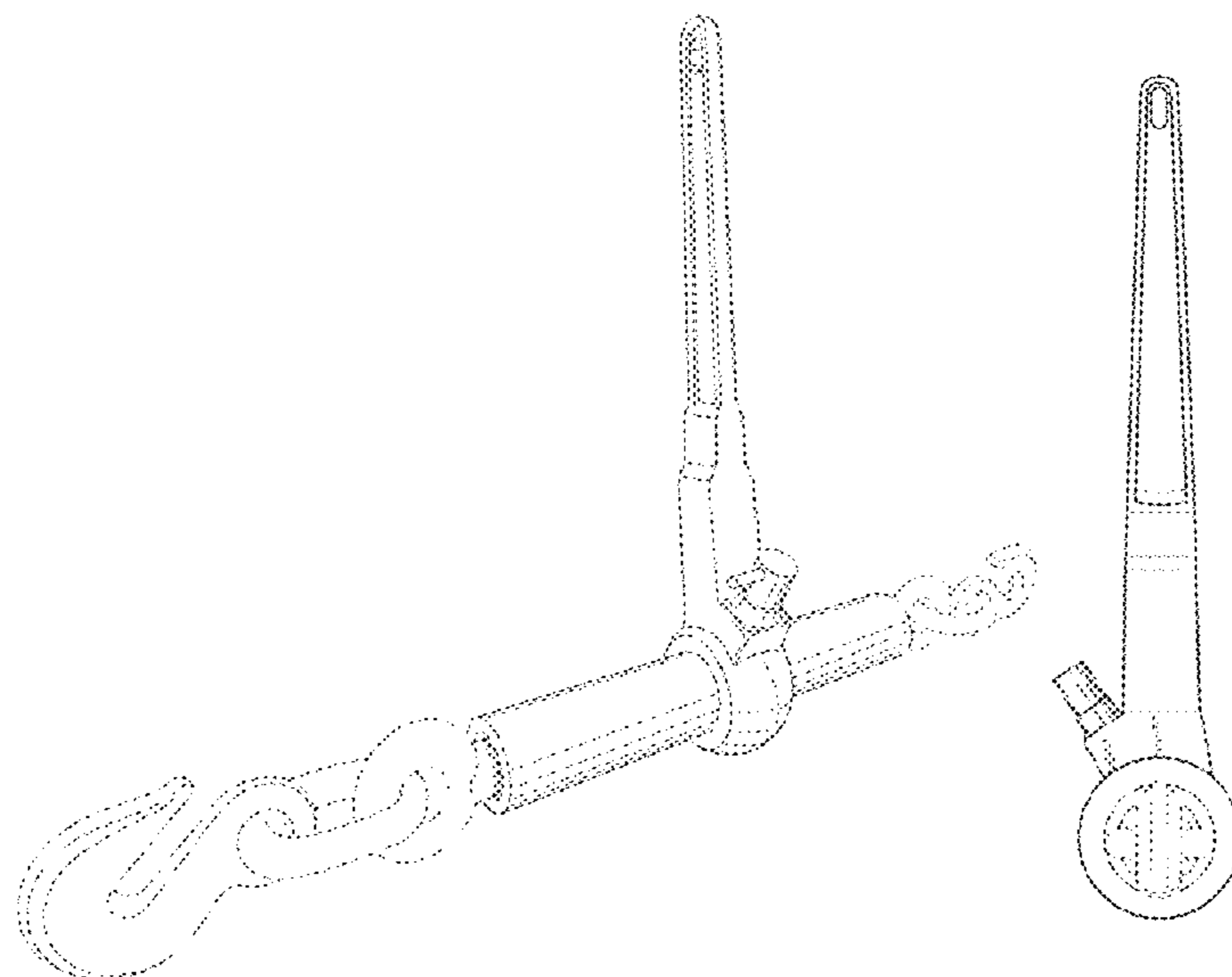
The ornamental design for a ratchet binder, as shown and described.

DESCRIPTION

FIG. 1 is a front and side perspective view of a ratchet binder, showing my new design;
 FIG. 2 is an enlarged view of the knob portion as seen in FIG. 1, shown with the knob in an alternate position;
 FIG. 3 is a side elevation view of FIG. 1;
 FIG. 4 is an opposite side elevation view of FIG. 1;
 FIG. 5 is a front elevation view of FIG. 1;
 FIG. 6 is a cross-section view taken along lines 6-6 of FIG. 5; and,
 FIG. 7 is a bottom plan view of FIG. 1.
 The broken lines shown in FIGS. 1, 3, 4, 5 and 7 are for the purpose of illustrating the eye, chain and hook attached to the ratchet binder and form no part of the claimed design.

1 Claim, 7 Drawing Sheets

- (56) **References Cited**
- U.S. PATENT DOCUMENTS
- | | | |
|-------------|---------|----------------|
| 1,758,039 A | 5/1930 | Haubert |
| 1,758,831 A | 5/1930 | Haubert |
| 1,911,194 A | 5/1930 | Jenkins et al. |
| 2,198,844 A | 4/1940 | Smith |
| 2,220,288 A | 11/1940 | Sarosdy |
| 2,422,001 A | 6/1947 | Durbin |
| 2,564,821 A | 8/1951 | Smith |
| 2,630,609 A | 3/1953 | Le Bus |
| 2,746,108 A | 5/1956 | Cole et al. |
| 2,824,717 A | 2/1958 | Yeager |



(56)

References Cited

U.S. PATENT DOCUMENTS

3,591,141 A 7/1971 Ratcliff
 3,726,507 A 4/1973 Rymza
 3,826,469 A 7/1974 Ratcliff et al.
 3,842,426 A 10/1974 Ratcliff et al.
 3,862,742 A 1/1975 James
 3,954,252 A 5/1976 Lyons
 3,974,544 A 8/1976 Roberts
 3,988,005 A 10/1976 Mooney et al.
 4,062,206 A 12/1977 McWhorter
 D261,611 S 11/1981 Brannock
 4,422,218 A 12/1983 Brasseux
 4,423,639 A 1/1984 Grade et al.
 4,500,073 A 2/1985 Smith
 4,512,062 A 4/1985 Crook, Jr.
 4,800,627 A 1/1989 Smith
 4,830,339 A 5/1989 McGee et al.
 D309,854 S 8/1990 Smith
 D354,664 S 1/1995 Harrison
 5,429,462 A 7/1995 Anderson
 5,611,521 A 5/1997 Grover et al.
 5,775,673 A 7/1998 Carnes, Sr. et al.
 6,149,132 A 11/2000 Ostrobrod
 6,945,516 B1 * 9/2005 Scott B60P 7/083
 254/231
 9,302,277 B2 4/2016 Davis, Jr. et al.
 D772,032 S * 11/2016 Durbin D8/44
 9,812,649 B2 11/2017 Yen et al.
 D830,801 S * 10/2018 Chao D8/44

D893,968 S * 8/2020 Robins D8/44
 2004/0064921 A1 * 4/2004 Mittleider F16B 21/12
 24/68 CT
 2006/0005360 A1 1/2006 Profit
 2008/0235922 A1 * 10/2008 Scott F16G 15/00
 24/68 CT
 2010/0111634 A1 5/2010 Wang
 2011/0000317 A1 * 1/2011 Ruan B60P 7/083
 73/862.42
 2011/0167600 A1 7/2011 Keevy
 2014/0326935 A1 11/2014 Chao
 2018/0319311 A1 * 11/2018 Chao B60P 7/083
 2018/0363729 A1 * 12/2018 Stephens B63B 21/04
 2019/0031079 A1 * 1/2019 Robins B63B 25/24
 2019/0186595 A1 * 6/2019 Agarwalla F16G 11/12
 2019/0351808 A1 * 11/2019 Liu B60P 7/083
 2019/0351809 A1 * 11/2019 Liu B60P 7/083

OTHER PUBLICATIONS

I & I Sling, Inc., Load Binders [online]retrieved Nov. 5, 2020, available from internet , <https://iandisling.com/chain/load-binders/> (Year: 2020).*
 Durabilt, Ratchet Style T-Handle Load Binder with Grab Hook and Chain Anchor, Date first available Jan. 6, 2017, [online] retrieved Oct. 6, 2020, available from internet, https://www.amazon.com/Durabilt-Ratchet-T-Handle-Binder-Anchor/dp/B0114F09U8/ref=sr_1_87?dchild=1&keywords=ratchet+binde (Year: 2017).*

* cited by examiner

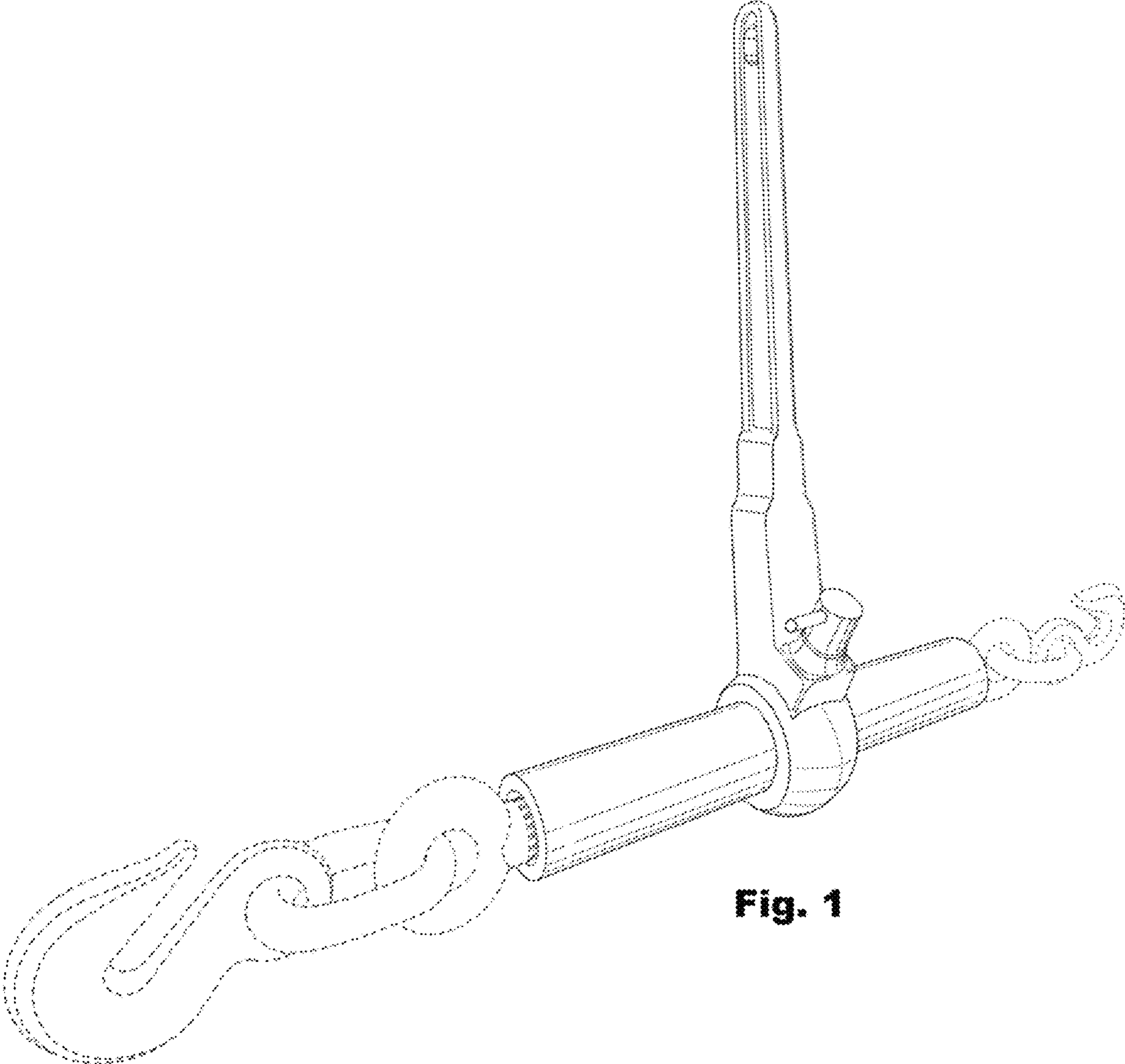


Fig. 1

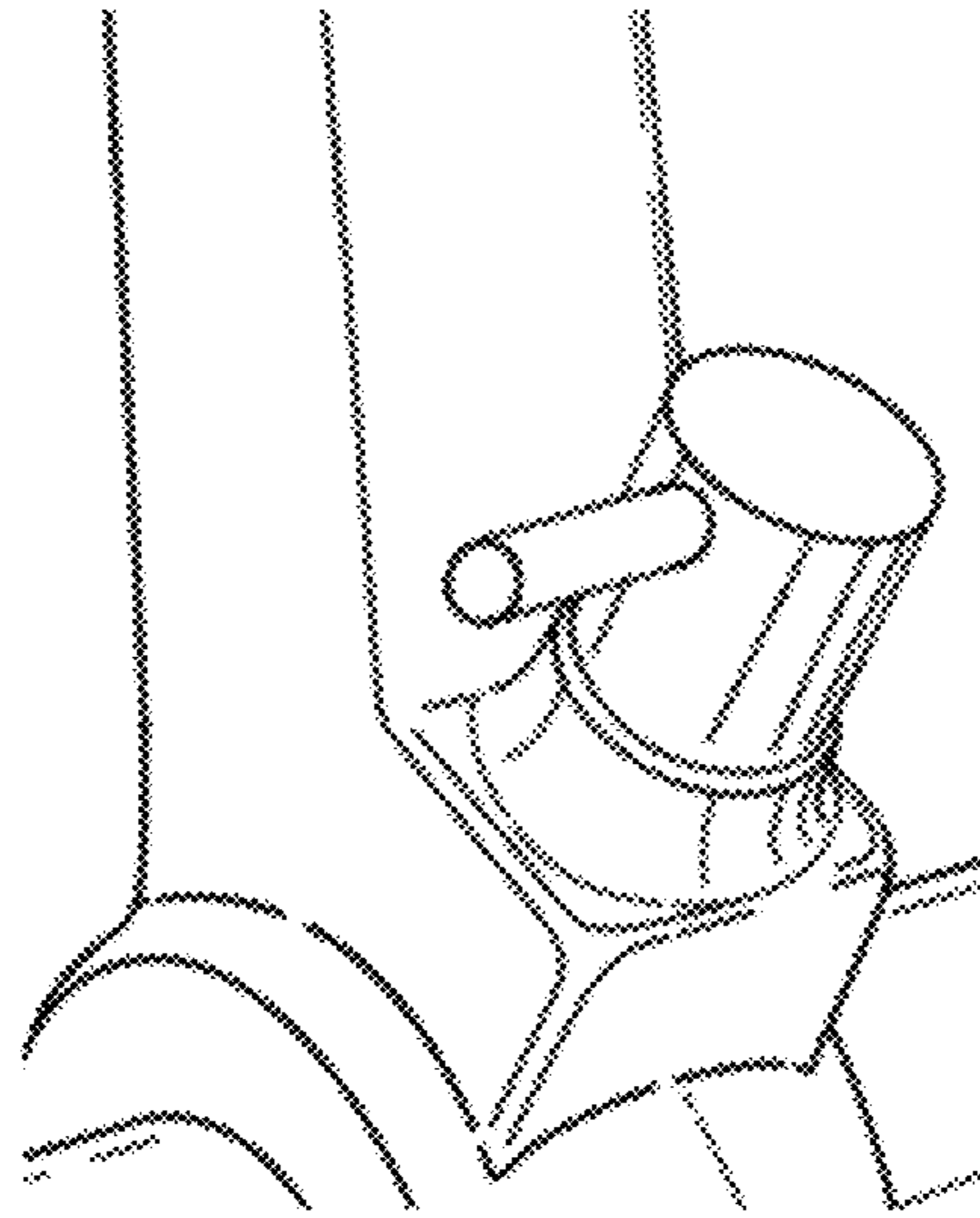


Fig. 2

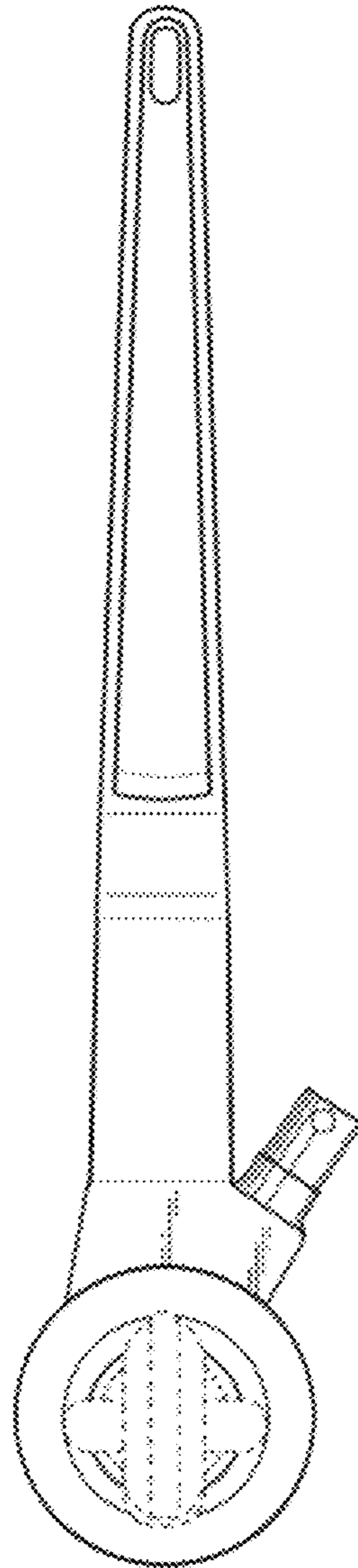


Fig. 3

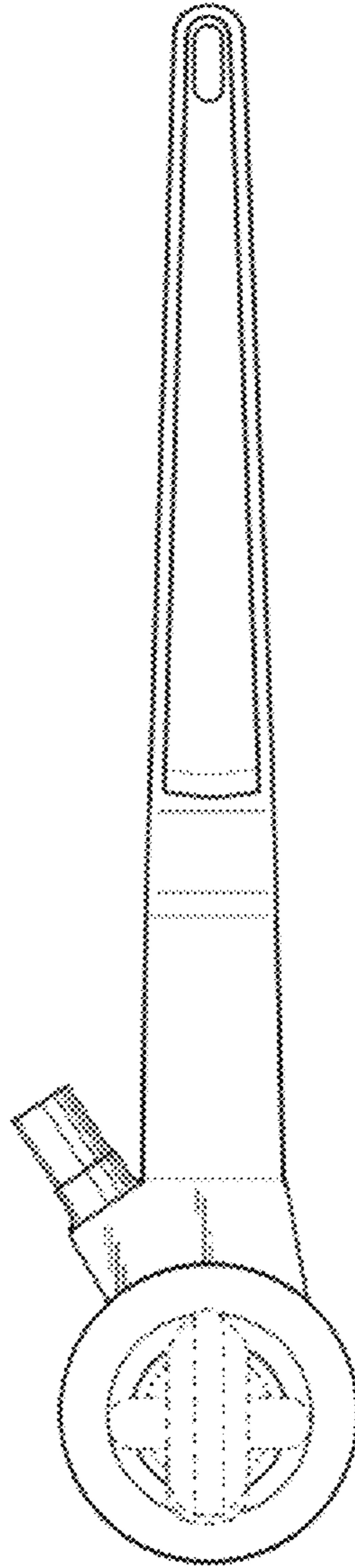


Fig. 4

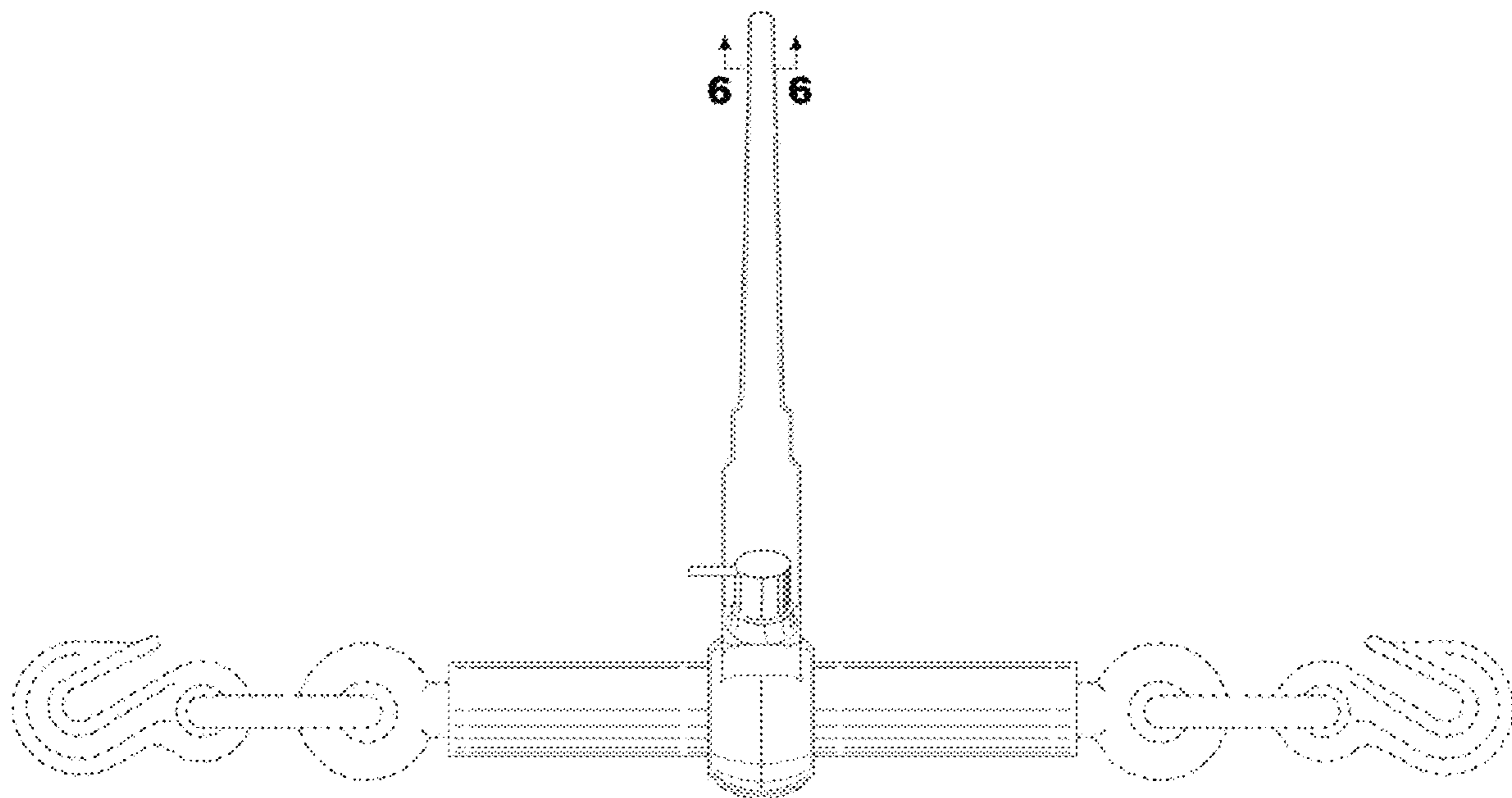


Fig. 5



Fig. 6

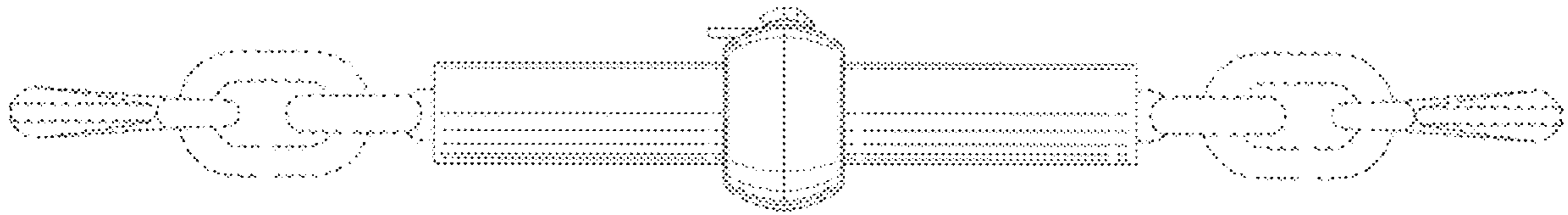


Fig. 7