

US00D917251S

(12) **United States Design Patent** (10) **Patent No.:** **US D917,251 S**
Albertson (45) **Date of Patent:** **** *Apr. 27, 2021**

- (54) **SOCKET WRENCH**
- (71) Applicant: **ALBERTSON ENTERPRISES, LLC**,
Mound, MN (US)
- (72) Inventor: **Robert V. Albertson**, Mound, MN (US)
- (73) Assignee: **ALBERTSON ENTERPRISES, LLC**,
Spring Park, MN (US)
- (*) Notice: This patent is subject to a terminal disclaimer.
- (**) Term: **15 Years**
- (21) Appl. No.: **29/651,964**
- (22) Filed: **Jul. 19, 2019**
- (51) **LOC (13) Cl.** **08-05**
- (52) **U.S. Cl.**
USPC **D8/25**
- (58) **Field of Classification Search**
USPC D8/17, 21-29
CPC B25B 13/06; B25B 23/0035
See application file for complete search history.

- (56) **References Cited**
U.S. PATENT DOCUMENTS
5,392,672 A * 2/1995 Larson B25B 13/461
81/58.4
7,024,968 B2 * 4/2006 Raudabough A61M 5/347
81/121.1
D544,321 S * 6/2007 Wyss D8/14
D580,730 S * 11/2008 Gao D8/107
D603,235 S * 11/2009 Ruzicka D8/28
D665,639 S * 8/2012 Albertson D8/25
D670,984 S * 11/2012 Albertson D8/25

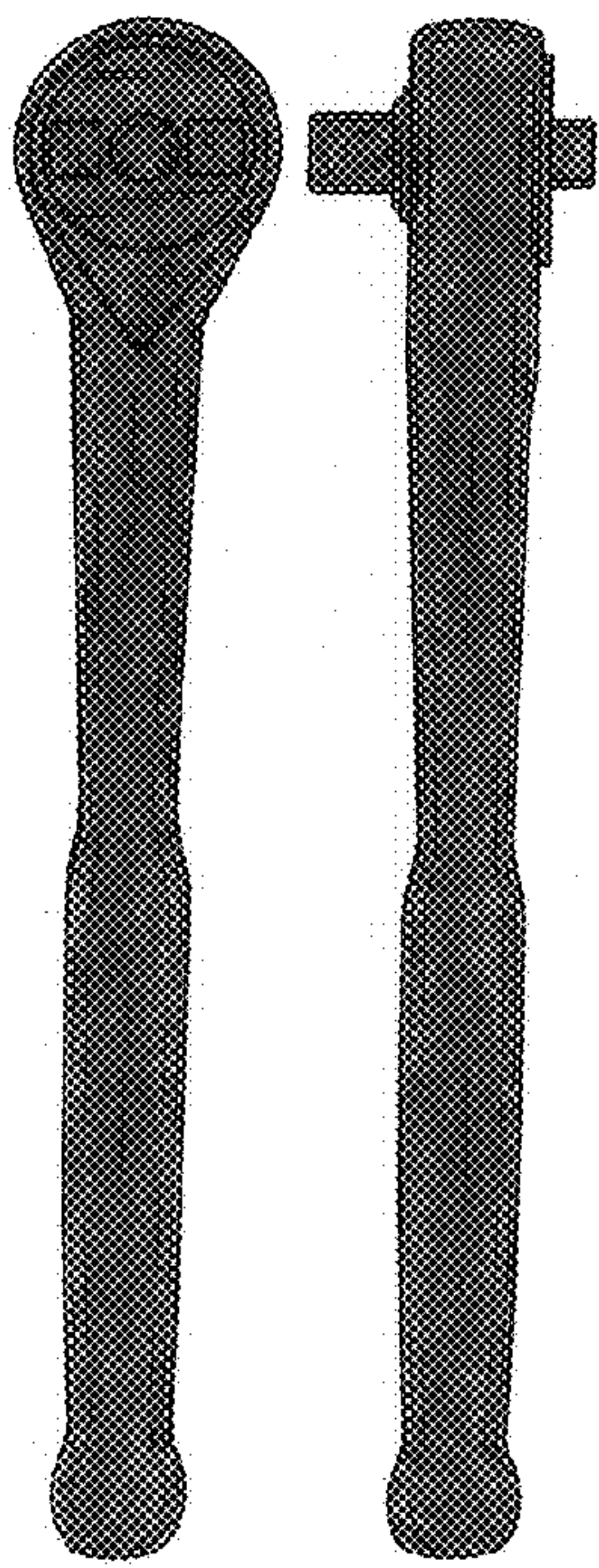
- 8,434,390 B2 * 5/2013 Cross B25B 13/44
81/63.1
- D760,565 S * 7/2016 Tempelmeier D8/21
- D822,448 S * 7/2018 Albertson D8/25
- D890,586 S * 7/2020 Albertson D8/25
- 2013/0081518 A1 * 4/2013 Scheid B28D 1/146
81/58.2
- 2019/0076995 A1 * 3/2019 Albertson B25B 13/462
- * cited by examiner

Primary Examiner — Michael A. Pratt
(74) *Attorney, Agent, or Firm* — Richard John Bartz

(57) **CLAIM**
The ornamental design of the socket wrench, as shown and described.

DESCRIPTION
The patent or application file contains at least one drawing executed in color. Copies of this patent or patent application publication with color drawings will be provided by the Office upon request and payment of the necessary fee.
FIG. 1 is a front elevational view of the socket wrench of my design;
FIG. 2 is a left side elevational view thereof;
FIG. 3 is a right side elevational view thereof;
FIG. 4 is a rear elevational view thereof;
FIG. 5 is a top plan view thereof;
FIG. 6 is a bottom plan view thereof;
FIG. 7 is a sectional view taken along the line 7-7 of FIG. 5; and,
FIG. 8 is a sectional view taken along the line 8-8 of FIG. 7.
The drawing is shaded for the color red.

1 Claim, 2 Drawing Sheets
(2 of 2 Drawing Sheet(s) Filed in Color)



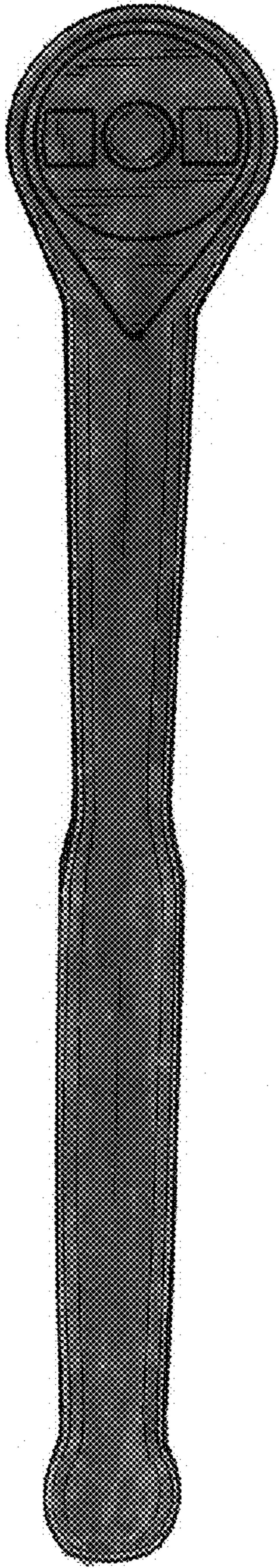


FIG.1

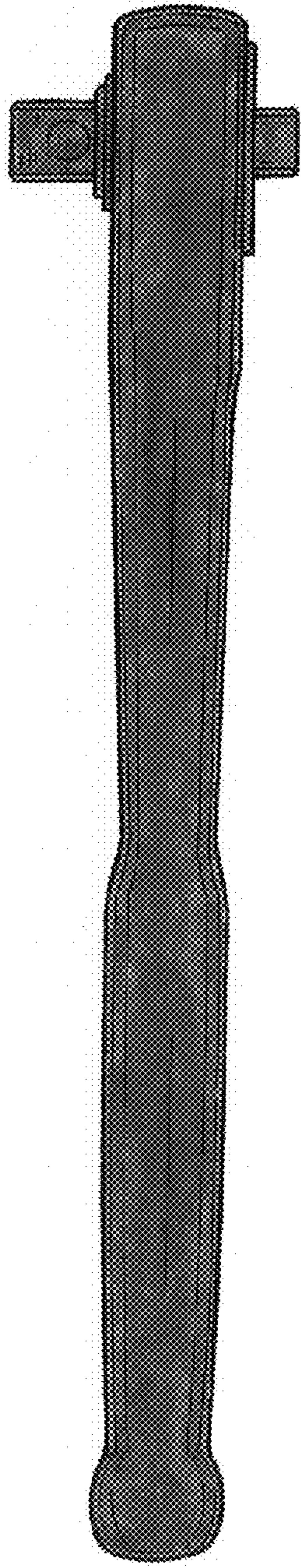


FIG.2

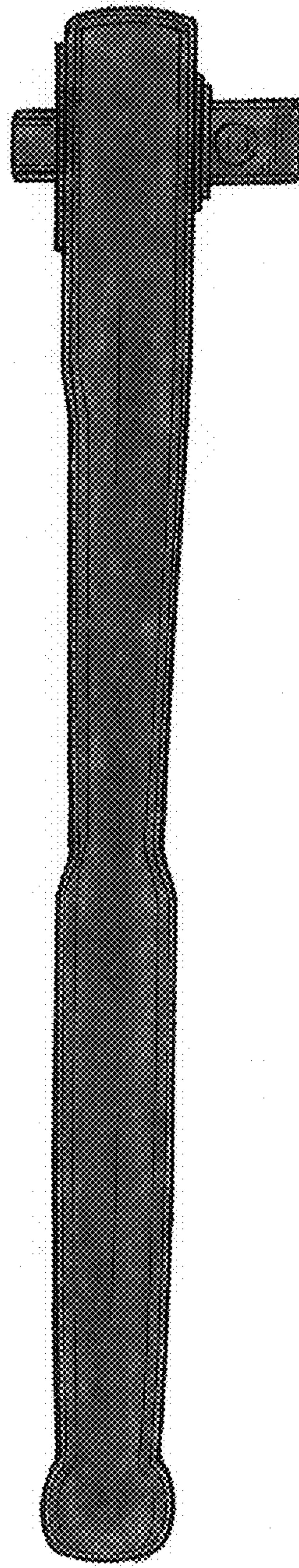


FIG.3

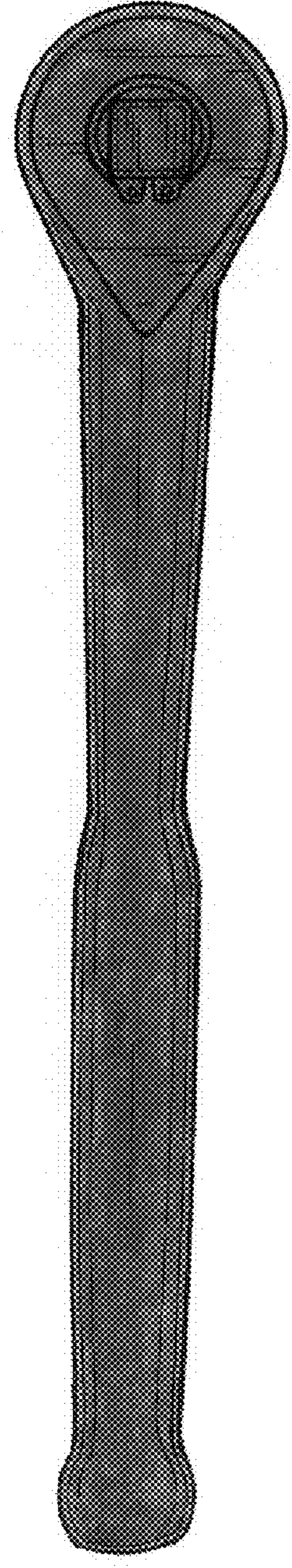


FIG.4

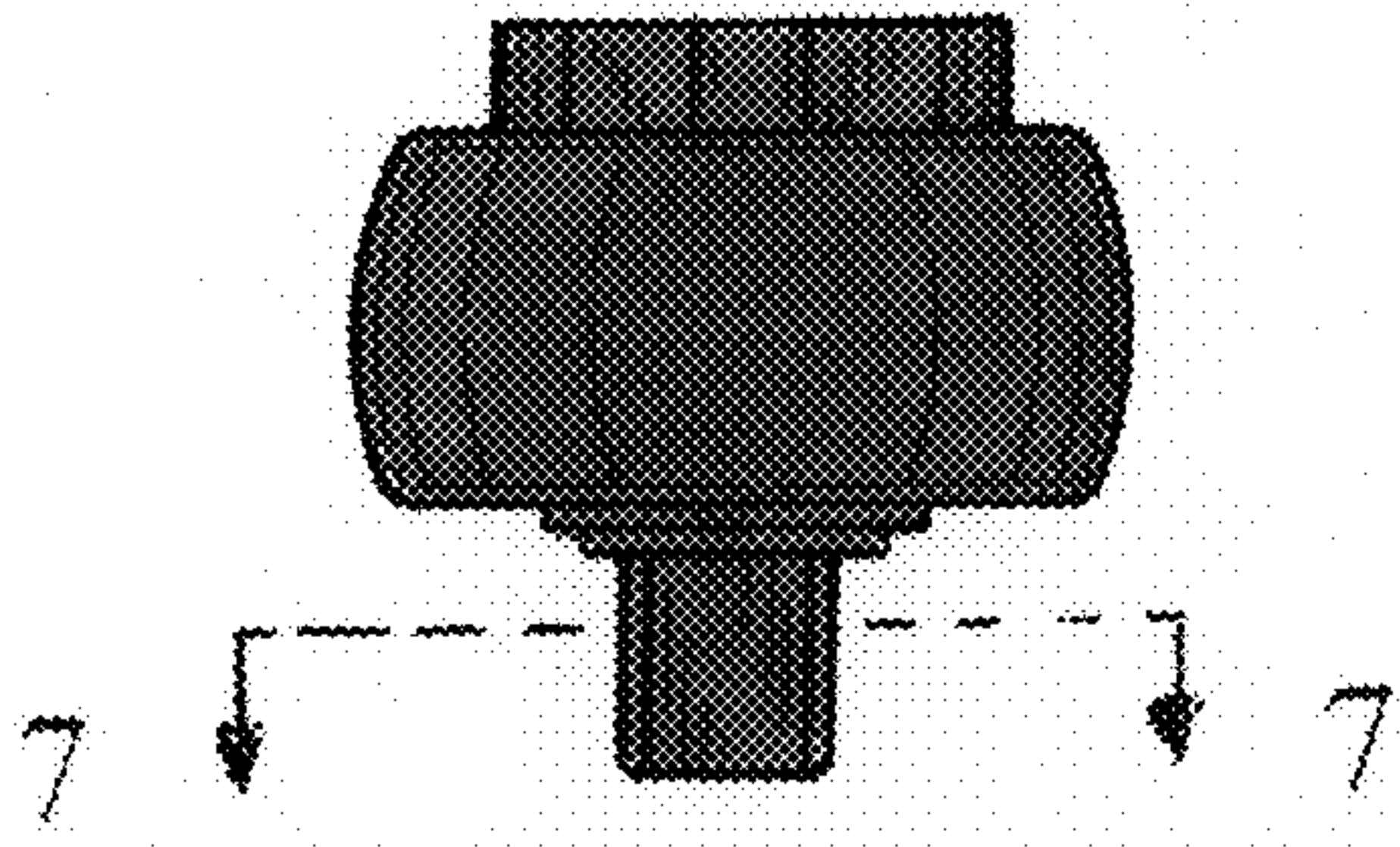


FIG. 5

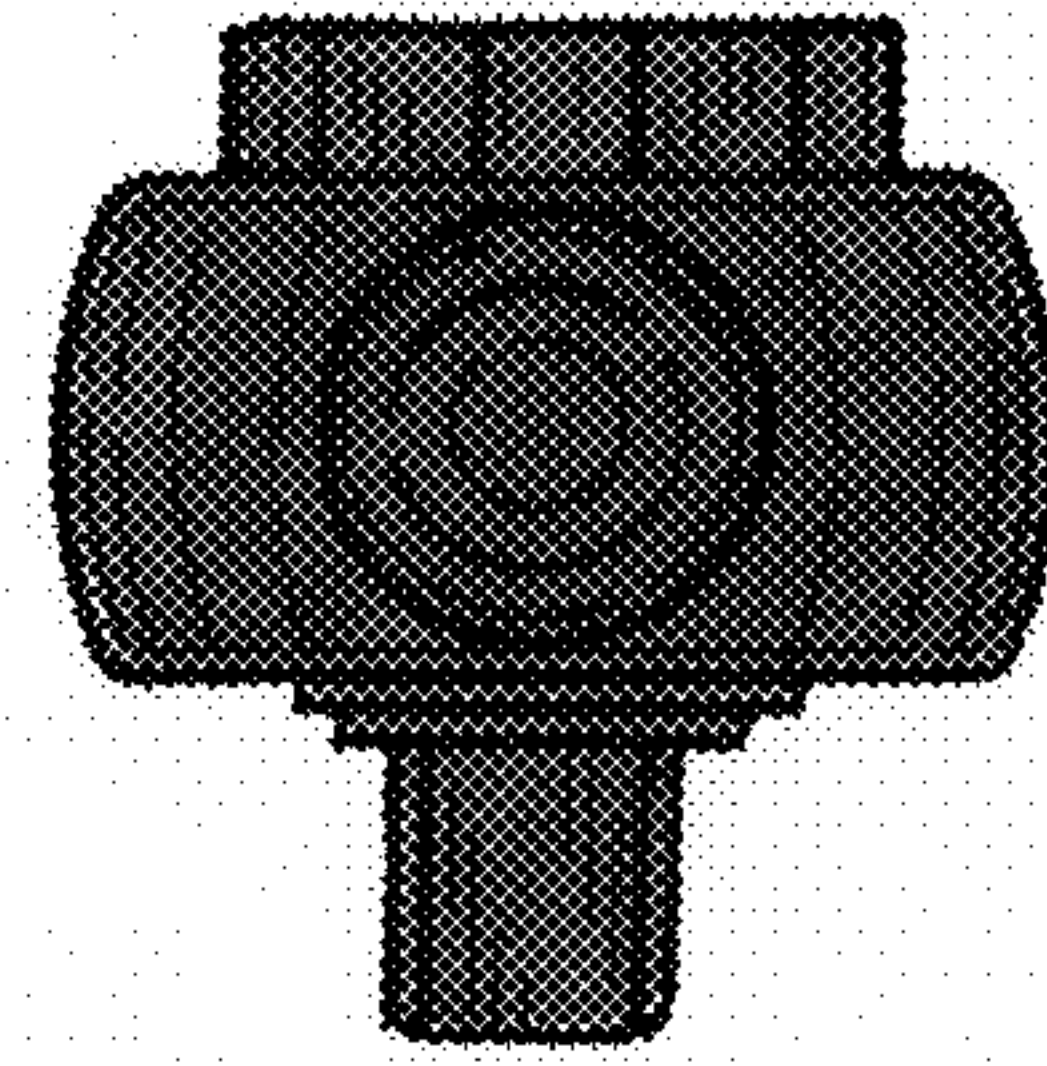


FIG. 6

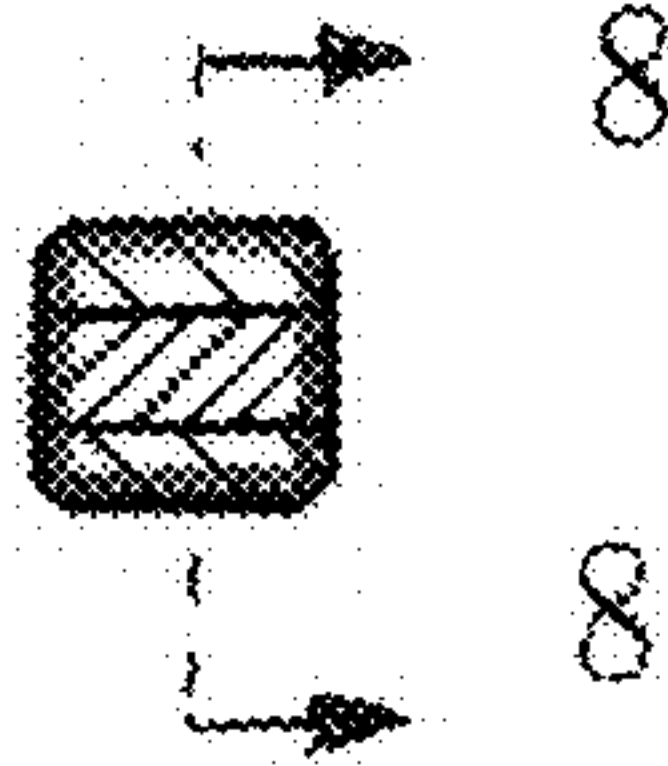


FIG. 7

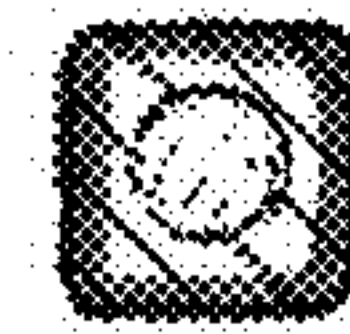


FIG. 8