



US00D917249S

(12) **United States Design Patent** (10) **Patent No.:** **US D917,249 S**
Puerta (45) **Date of Patent:** **** Apr. 27, 2021**

(54) **BOAT PLUG TOOL**
(71) Applicant: **3E Engineering & Manufacturing Solutions, Inc.**, Homestead, FL (US)
(72) Inventor: **Frank E. Puerta**, Homestead, FL (US)
(73) Assignee: **3E Engineering & Manufacturing Solutions, Inc.**, Homestead, FL (US)
(**) Term: **15 Years**

6,637,297 B1 * 10/2003 Mlynarczyk B25B 13/06
81/121.1
D489,234 S * 5/2004 Pyper D8/27
D553,470 S * 10/2007 Chaconas D7/401.2
D574,680 S * 8/2008 Oldknow D8/28
D611,789 S * 3/2010 Taylor, Jr. D8/29
(Continued)

(21) Appl. No.: **29/708,500**
(22) Filed: **Oct. 7, 2019**
(51) **LOC (13) Cl.** **08-05**
(52) **U.S. Cl.**
USPC **D8/21**; D8/29
(58) **Field of Classification Search**
USPC D8/14-40, 51-56; 81/125.1, 177.1, 119,
81/124.7, 124.3, 186, 431, 176.15, 461.1,
81/99, 98, 100; 30/193, 252, 254
CPC B25B 13/14; B25B 13/06; B25B 13/04;
B25B 13/46; B25B 13/00; B25B 7/02;
B25B 13/48; B25B 13/16; B25B 13/505;
B25B 13/5058; B25B 23/0007; B25B
13/28; B25B 23/0035; B25B 13/08; B25B
13/02; B25B 13/50; B25B 7/10; B25B
7/14; B25B 5/147; B25B 5/085; B25B
27/00; B25B 23/142; B67B 7/00; B67B
7/18

FOREIGN PATENT DOCUMENTS

CN 301595285 * 1/2011
CN 303066476 * 7/2014
CN 303708460 * 12/2015

OTHER PUBLICATIONS

Plug-Minder, Boat Plug Holder, Reminder, Installer and Remover Tool, for 1/2" NPT Plugs. Date first available Nov. 20, 2019, [online]retrieved Nov. 30, 2020, available from internet, [https://www.amazon.com/Holder-Reminder-Installer-Remover-Plugs/dp/B081S55FC5/ref=sr_1_4?dchild=1&keywords=boat+p\(Year:2019\).](https://www.amazon.com/Holder-Reminder-Installer-Remover-Plugs/dp/B081S55FC5/ref=sr_1_4?dchild=1&keywords=boat+p(Year:2019).)*

(Continued)

Primary Examiner — Keli L Hill
Assistant Examiner — Sara S Sahneh
(74) *Attorney, Agent, or Firm* — Mark Terry

(57) **CLAIM**

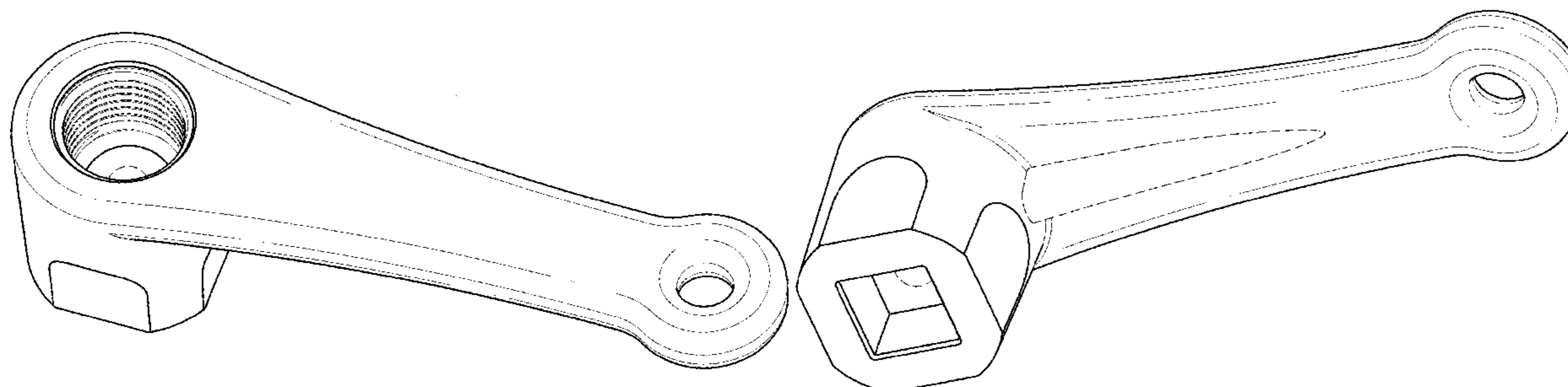
The ornamental design for a boat plug tool, as shown and described.

DESCRIPTION

FIG. 1 is a top perspective view of a boat plug tool, showing the new design;
FIG. 2 is a bottom perspective view thereof;
FIG. 3 is a left view thereof;
FIG. 4 is a front view thereof;
FIG. 5 is rear view thereof;
FIG. 6 is a top view thereof; and,
FIG. 7 is a bottom view thereof.
The broken lines in the drawings illustrate portions of the boat plug tool which form no part of the claimed design.

1 Claim, 2 Drawing Sheets

(56) **References Cited**
U.S. PATENT DOCUMENTS
1,734,270 A * 11/1929 Olson B25B 13/488
81/55
2,094,584 A * 10/1937 Cox B25B 23/1415
81/471
2,270,092 A * 1/1942 Thompson B25B 13/48
81/176.15
H1689 H * 11/1997 Foucher 81/124.2



(56)

References Cited

U.S. PATENT DOCUMENTS

D650,644 S * 12/2011 Dosch D8/21
D760,045 S * 6/2016 Gandy D8/21
D827,973 S * 9/2018 Stoner D34/35
2010/0257979 A1 * 10/2010 Zhan B25B 13/08
81/58.2

OTHER PUBLICATIONS

TH Marine, Prop Master Propeller Wrench, Date first available Jan. 19, 2018, [online]retrieved Nov. 30, 2020, available from internet, https://www.amazon.com/TH-Marine-PMW-1-DP-Master-Wrench/dp/B0000BYF3X/ref=sr_1_59?dchild=1&keywords=boat (Year: 2018).*

Pactrade Marine, Pactrade Marine Boat Nylon Nut Wrench ¹¹/₁₆" Nut, Date first available Apr. 3, 2018, [online]retrieved Dec. 3, 2020, available from internet, https://www.amazon.com/dp/B07BWXNYZV/ref=sspa_dk_detail_6?psc=1&pd_rd_i=B07BWXNYZV&pd_rd_w=fcPRk&pf_rd_p=7d37a48b-2b1a-4373-8c1a (Year: 2018).*

* cited by examiner

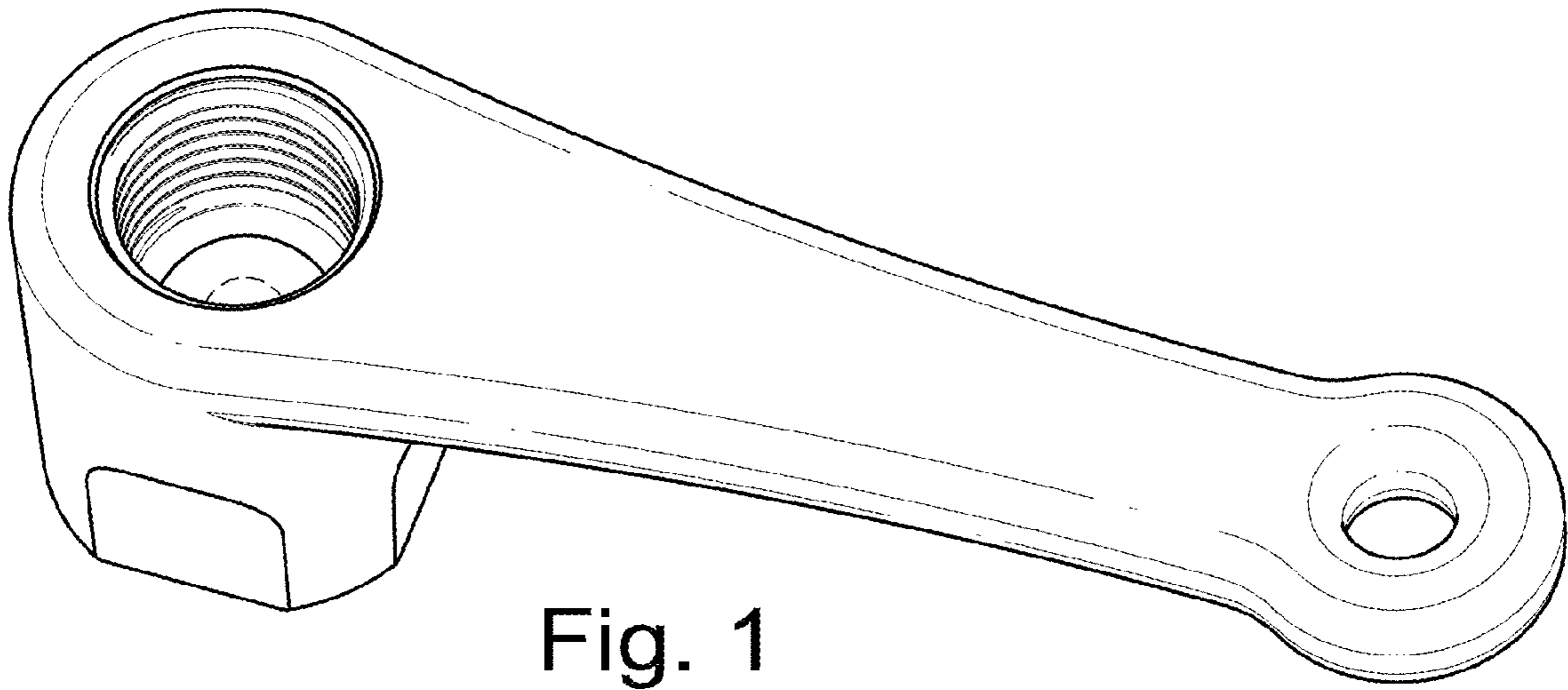


Fig. 1

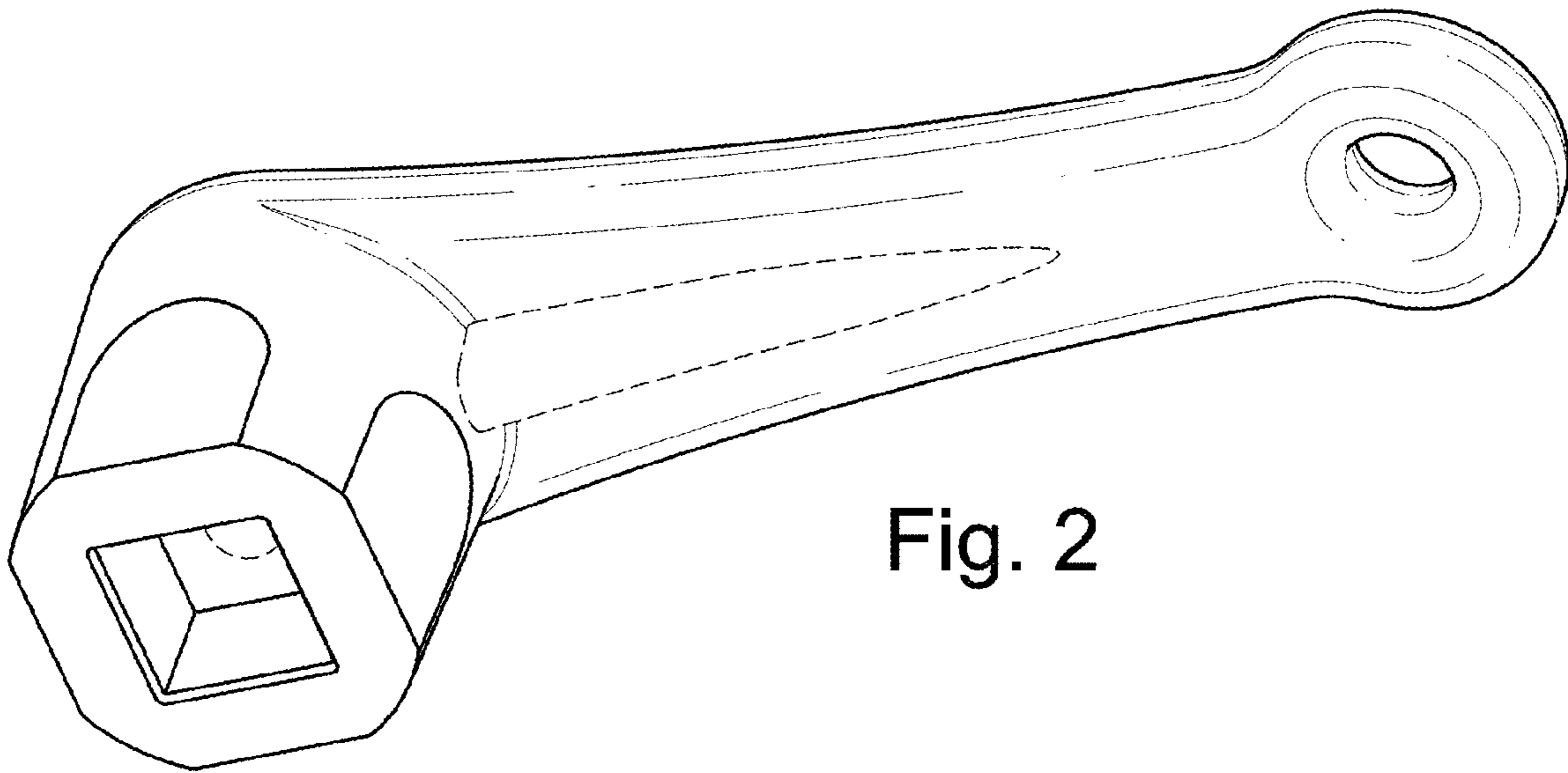


Fig. 2

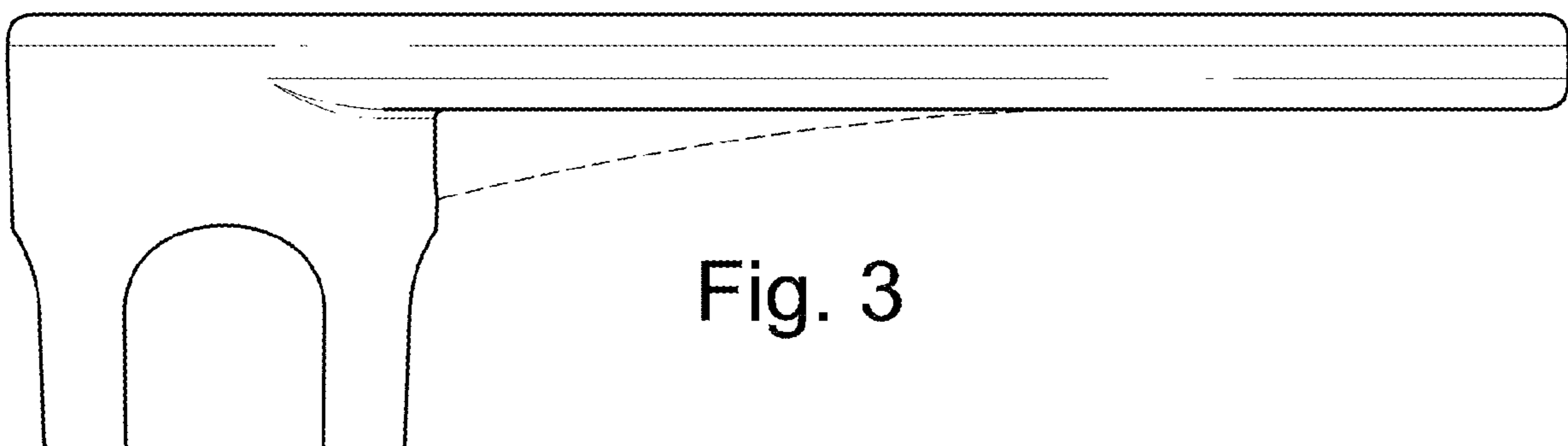


Fig. 3

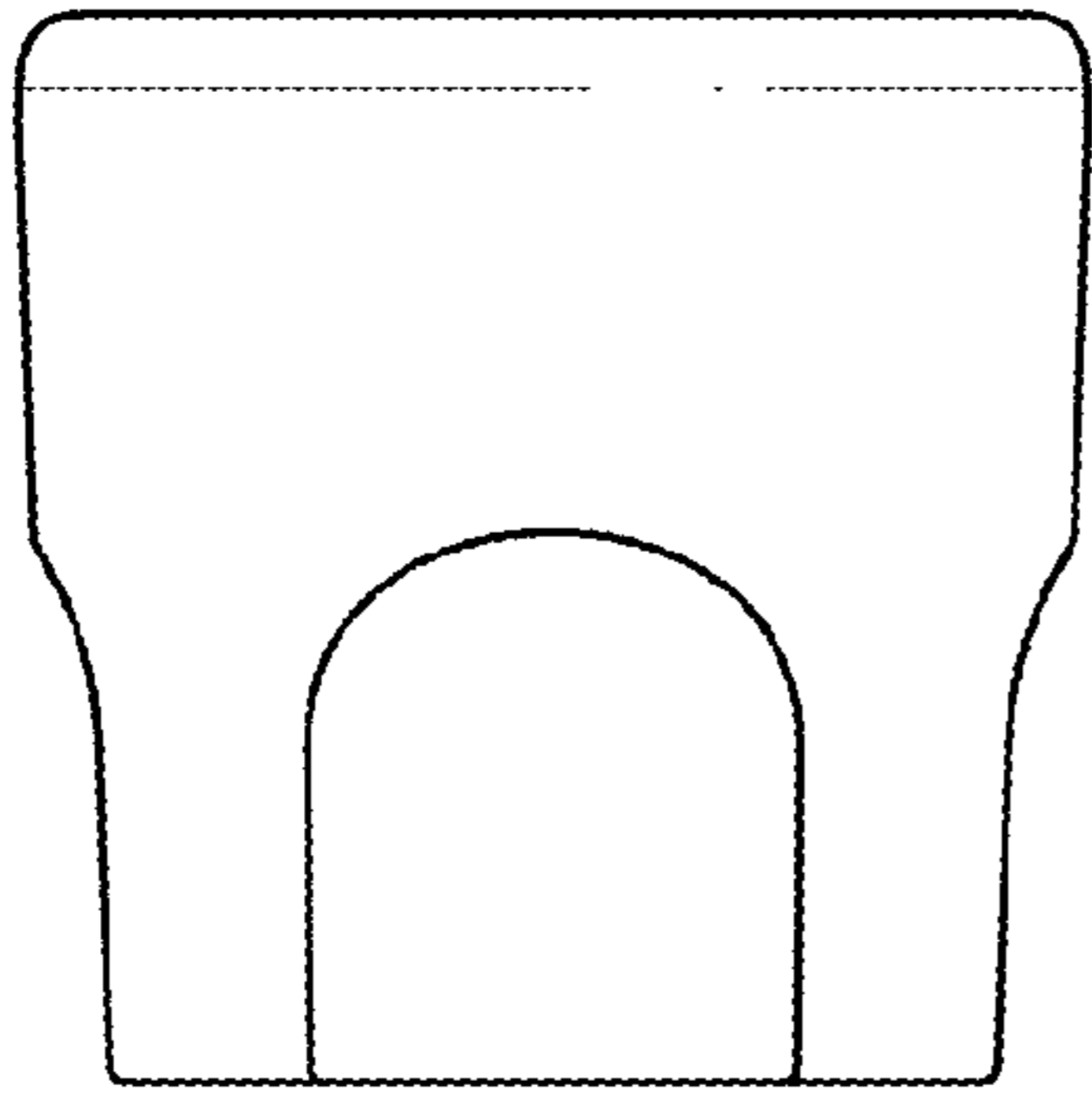


Fig. 4

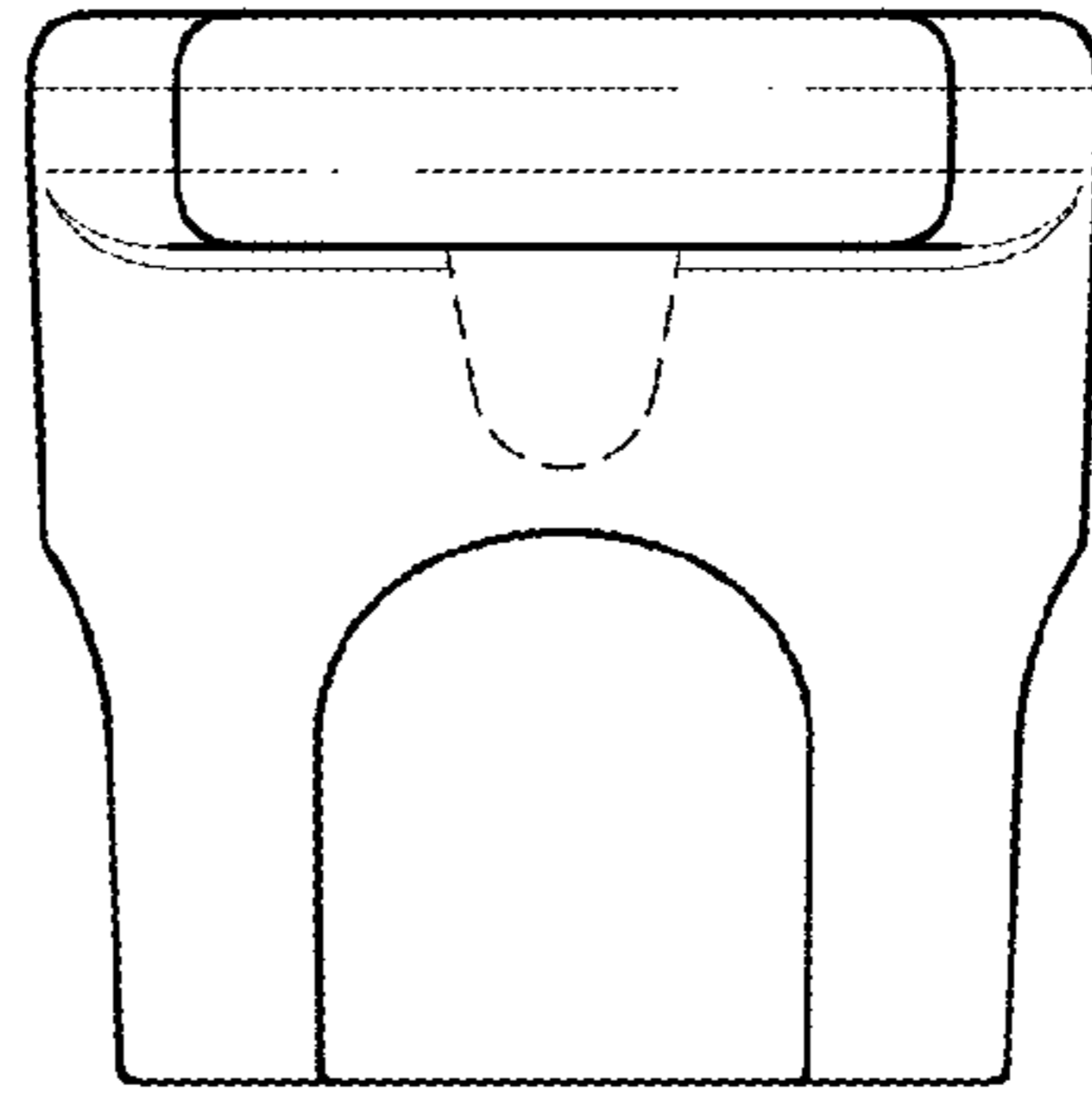


Fig. 5

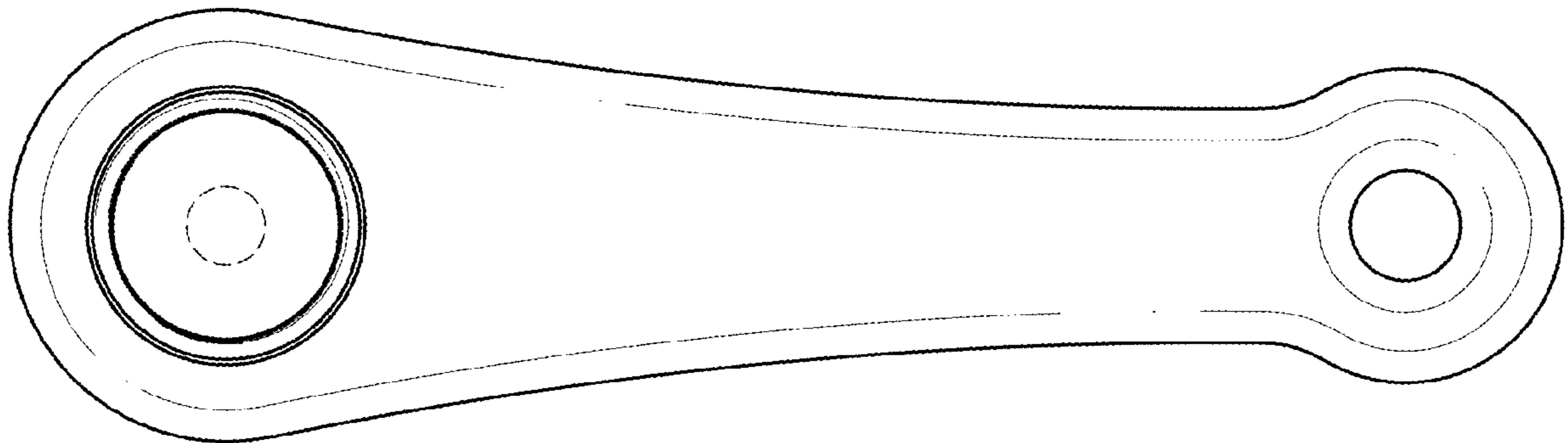


Fig. 6

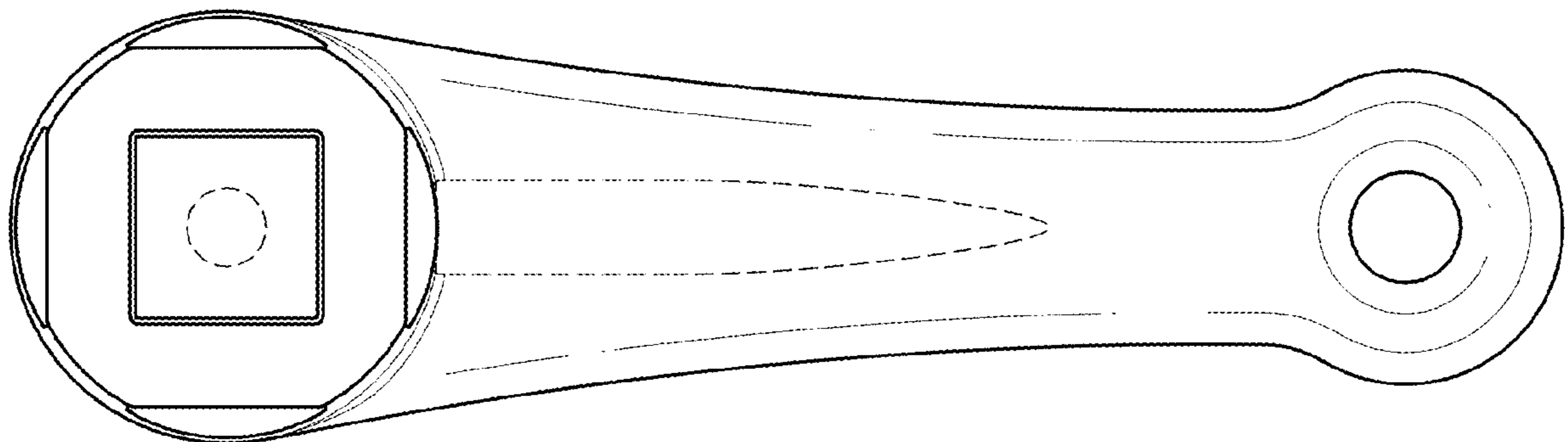


Fig. 7