



US00D917248S

(12) **United States Design Patent** (10) **Patent No.:** **US D917,248 S**
Cai (45) **Date of Patent:** **** Apr. 27, 2021**

(54) **REFITTING TOOL FOR VEHICLE**

(71) Applicant: **Xiao Cai**, Shenzhen (CN)

(72) Inventor: **Xiao Cai**, Shenzhen (CN)

(**) Term: **15 Years**

(21) Appl. No.: **29/718,250**

(22) Filed: **Dec. 23, 2019**

(51) **LOC (13) Cl.** **08-05**

(52) **U.S. Cl.**

USPC **D8/14**; D8/89

(58) **Field of Classification Search**

USPC D8/14, 47, 88, 89, 105

CPC B25C 11/00; B66F 15/00; B25B 27/0035;

B25B 27/0092; Y10T 29/49822; Y10T

29/53835; Y10T 29/53896

See application file for complete search history.

(56) **References Cited**

U.S. PATENT DOCUMENTS

3,134,574 A * 5/1964 Reuterfors E04G 23/08
254/25

D386,057 S * 11/1997 Hreha D8/89

D386,067 S * 11/1997 Hamerski D8/373

5,695,172 A * 12/1997 Hreha B25C 11/00

254/18

D444,690 S * 7/2001 Bond B66F 15/00

D8/16

D493,086 S * 7/2004 Taylor D8/88

D506,118 S * 6/2005 Rau D8/89

7,185,879 B1 * 3/2007 Lejuez B25C 11/00

254/21

D603,236 S * 11/2009 Weeks D8/38

D627,617 S * 11/2010 Chambers D8/89

D627,886 S * 11/2010 Williamson D24/152

8,955,827 B2 * 2/2015 Brown B25C 11/00

254/25

D790,944 S * 7/2017 Wise D8/89

D876,921 S * 3/2020 Allen D8/89

D880,969 S * 4/2020 Lenart D8/89

2005/0062026 A1 * 3/2005 Holcomb E04D 15/00

254/25

2008/0127473 A1 * 6/2008 Yu B25B 27/0092

29/267

2013/0263382 A1 * 10/2013 Sindt B25C 11/00

7/166

2014/0259605 A1 * 9/2014 Dorsey B25B 27/0035

29/426.5

OTHER PUBLICATIONS

Harbor Freight website, Pittsburg Automotive trim tool set, offered for sale since 2010.*

Amazon.com Tressalto automotive fastener removal tool set. reviewed Dec. 18, 2016.*

* cited by examiner

Primary Examiner — Philip S Hyder

(74) *Attorney, Agent, or Firm* — W&K IP

(57) **CLAIM**

The ornamental design for a refitting tool for vehicle, as shown and described.

DESCRIPTION

FIG. 1 is a front perspective view of a refitting tool for vehicle, showing my new design;

FIG. 2 is a rear perspective view thereof;

FIG. 3 is a front elevational view thereof;

FIG. 4 is a rear elevational view thereof;

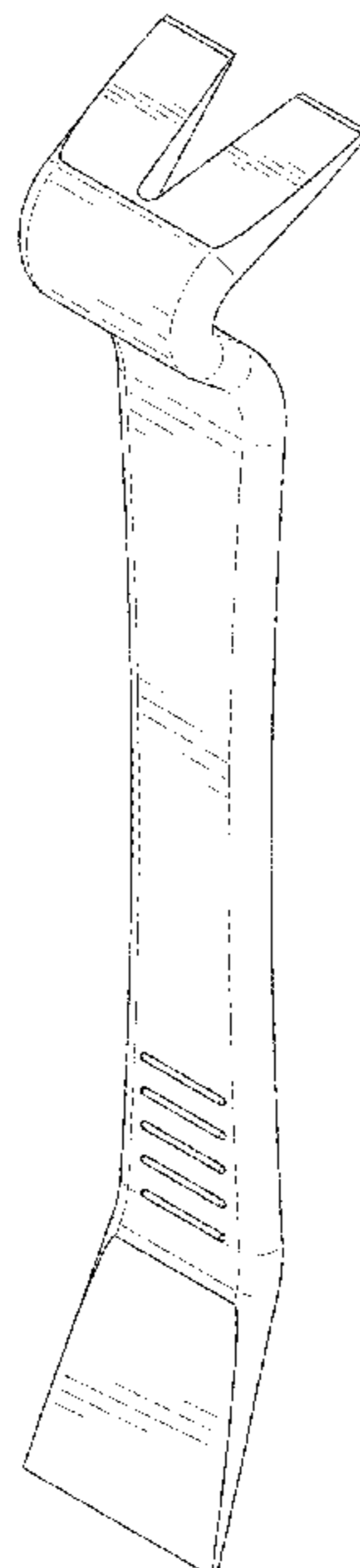
FIG. 5 is a left side devotional view thereof;

FIG. 6 is a right side elevational view thereof;

FIG. 7 is a top plan view thereat; and,

FIG. 8 is a bottom plan view thereof.

1 Claim, 8 Drawing Sheets



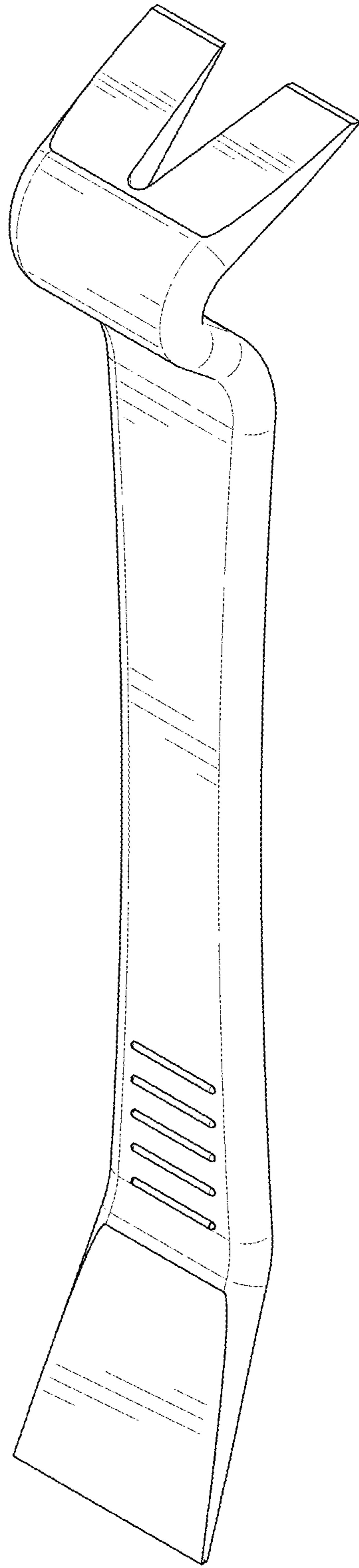


FIG. 1

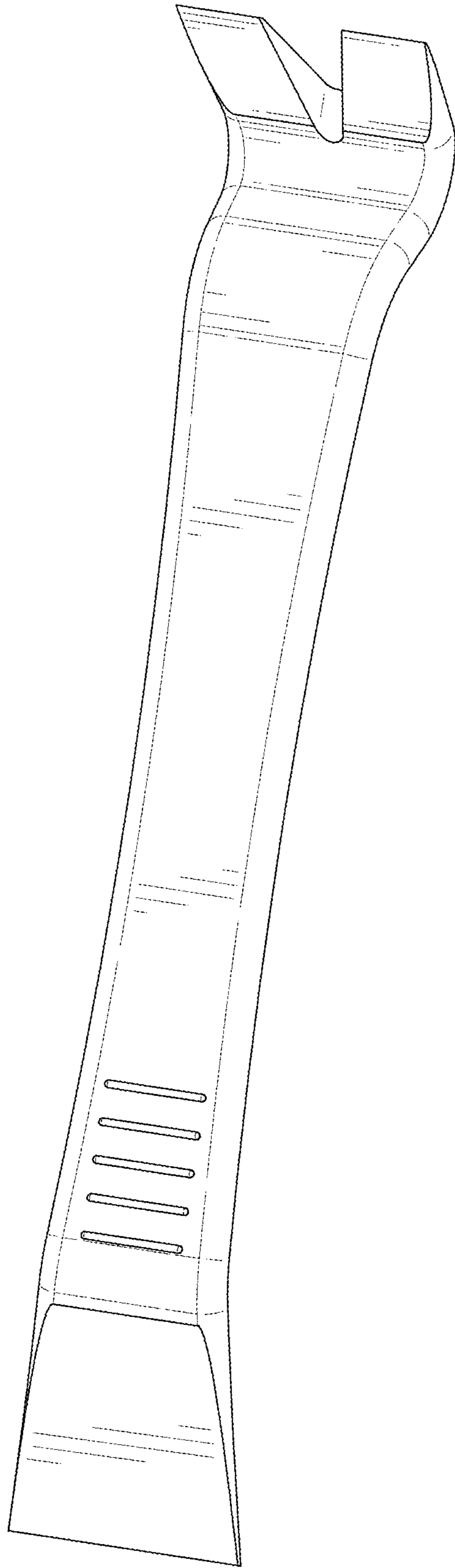


FIG. 2

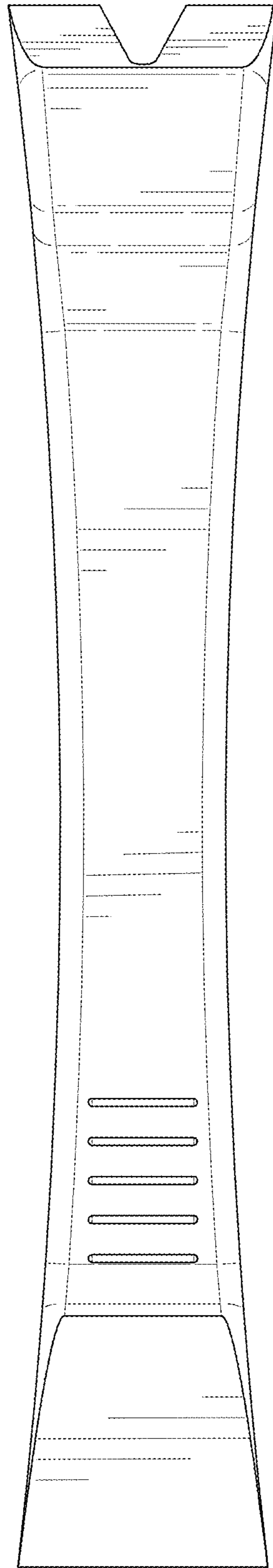


FIG. 3

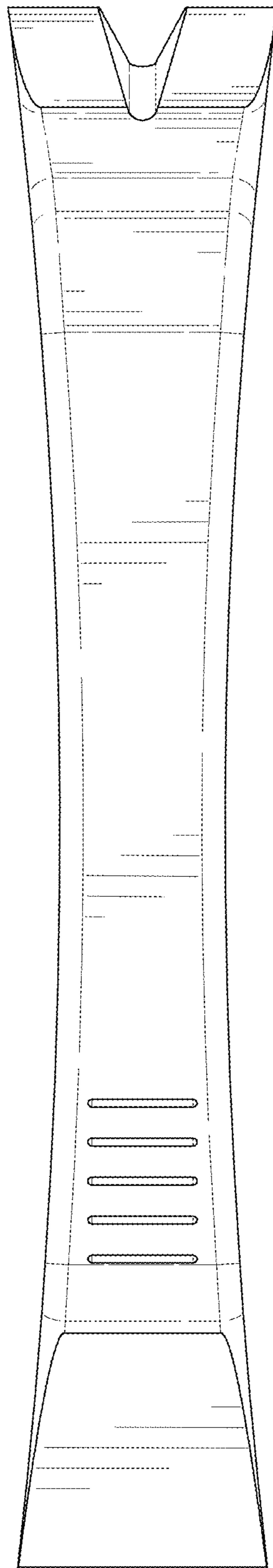


FIG. 4

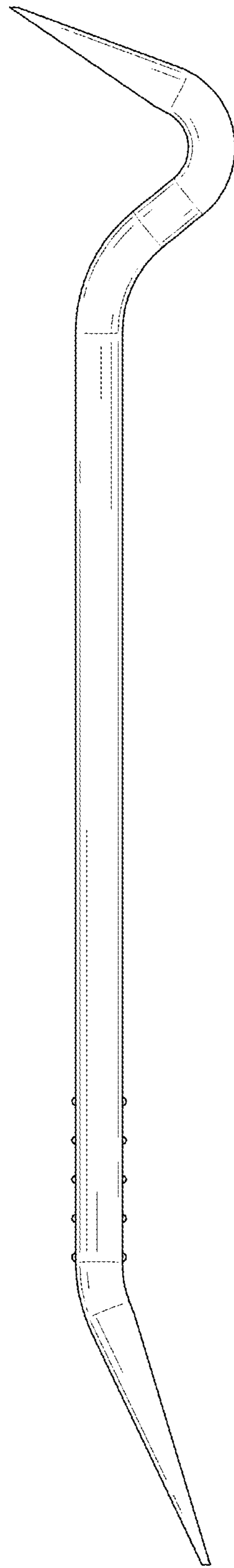


FIG. 5

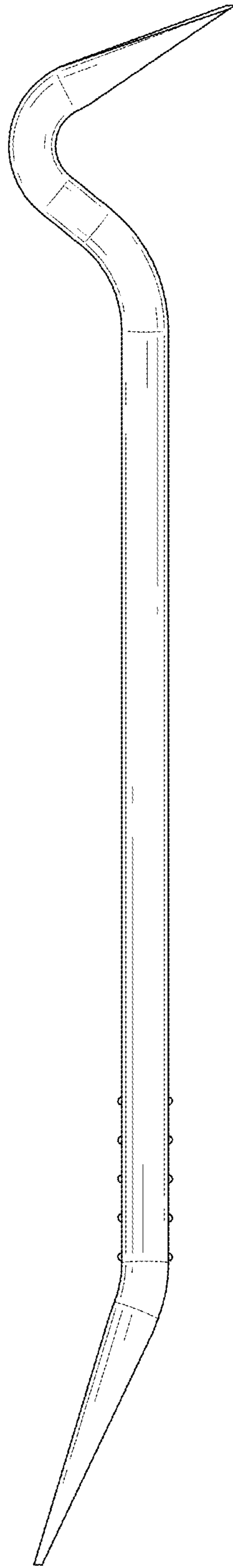


FIG. 6

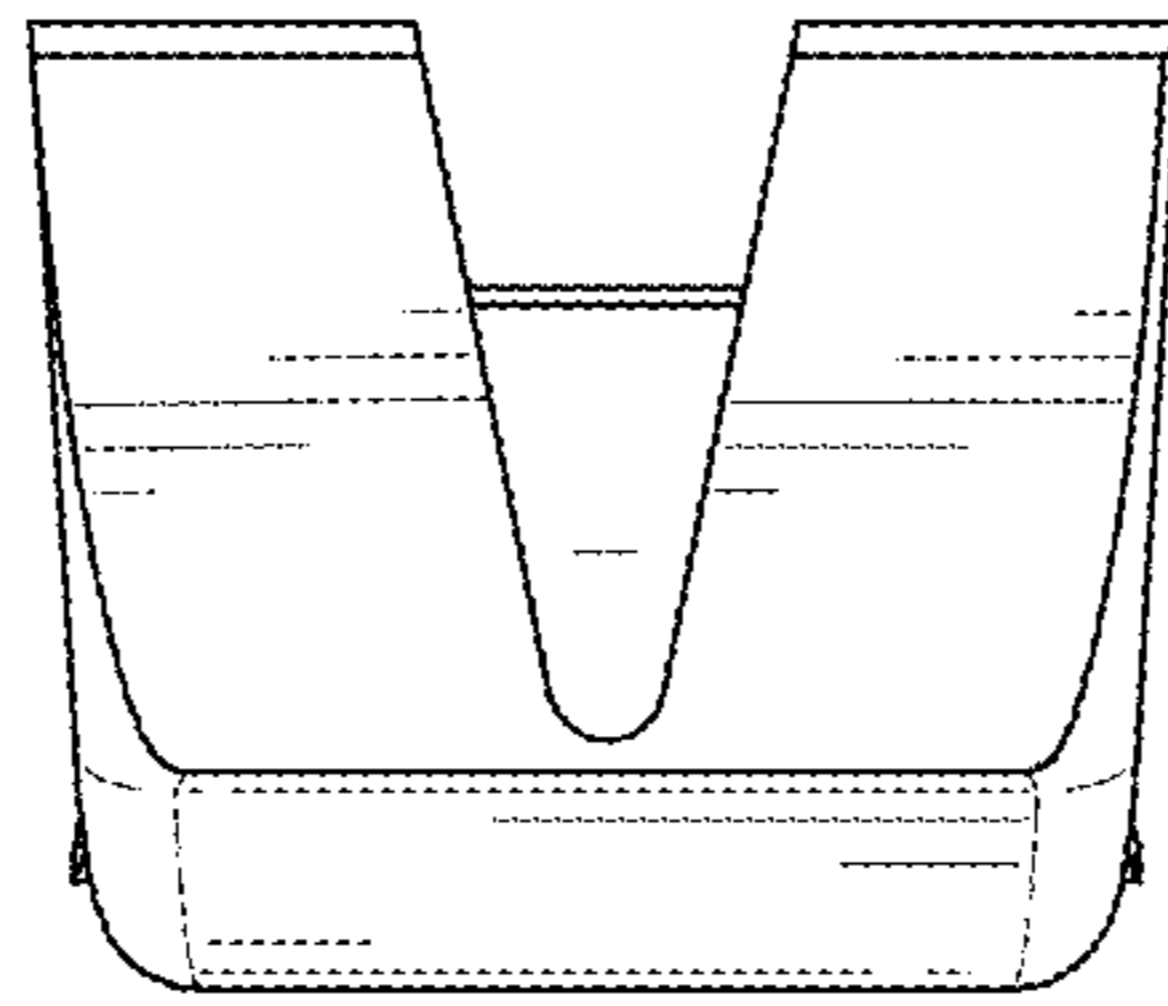


FIG. 7

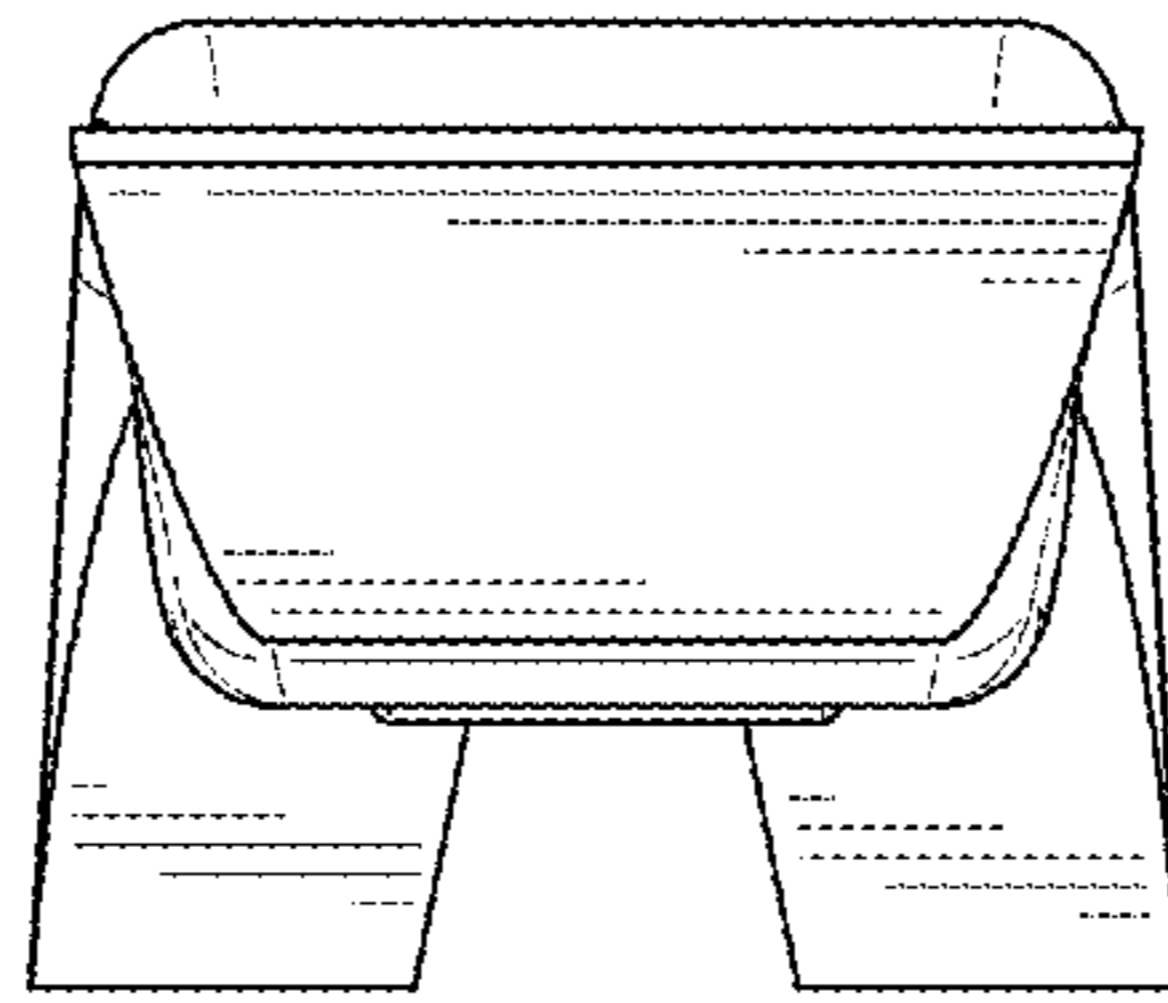


FIG. 8