



US00D917246S

(12) **United States Design Patent**
Wang

(10) **Patent No.:** **US D917,246 S**
(45) **Date of Patent:** **** Apr. 27, 2021**

- (54) **WINE GLASS HOLDER**
- (71) Applicant: **Wuyi Manchen Stainless Steel Products Co., Ltd., Jinhua (CN)**
- (72) Inventor: **Chunxiao Wang, Jinhua (CN)**
- (73) Assignee: **Wuyi Manchen Stainless Steel Products Co., Ltd., Jinhua (CN)**
- (**) Term: **15 Years**
- (21) Appl. No.: **29/747,569**
- (22) Filed: **Aug. 24, 2020**
- (51) **LOC (13) Cl.** **06-04**
- (52) **U.S. Cl.**
USPC **D7/701**
- (58) **Field of Classification Search**
USPC D7/701, 707, 708, 637-641; D3/313;
D6/512, 552, 672, 569, 682.2, 552.2, 525,
D6/527, 528, 534, 535
CPC A47G 23/0641; A47G 23/06; A47G 23/02;
A47G 23/0208; A47G 23/0241; A47B
3/00; A47B 73/006; A47F 5/16; A47F
7/28; A47F 7/283; B25H 3/04
See application file for complete search history.

4,947,991 A *	8/1990	Snell	A47B 13/16 206/427
D329,359 S *	9/1992	Eggen	D19/77
D381,515 S *	7/1997	Haynes	D24/224
D505,841 S *	6/2005	Fiedeler	D6/525
D634,541 S *	3/2011	Gutierrez	D3/313
D649,416 S *	11/2011	Tietjen	D7/707
D786,029 S *	5/2017	Pannell	D7/708
D789,756 S *	6/2017	MacDonald	D7/701
D792,176 S *	7/2017	Lee	D7/701
D817,728 S *	5/2018	Brown	D7/701
D831,444 S	10/2018	Gu	

* cited by examiner

Primary Examiner — Terry A Wallace
(74) *Attorney, Agent, or Firm* — ScienBiziP, P.C.

(57) **CLAIM**

The ornamental design for a wine glass holder, as shown and described.

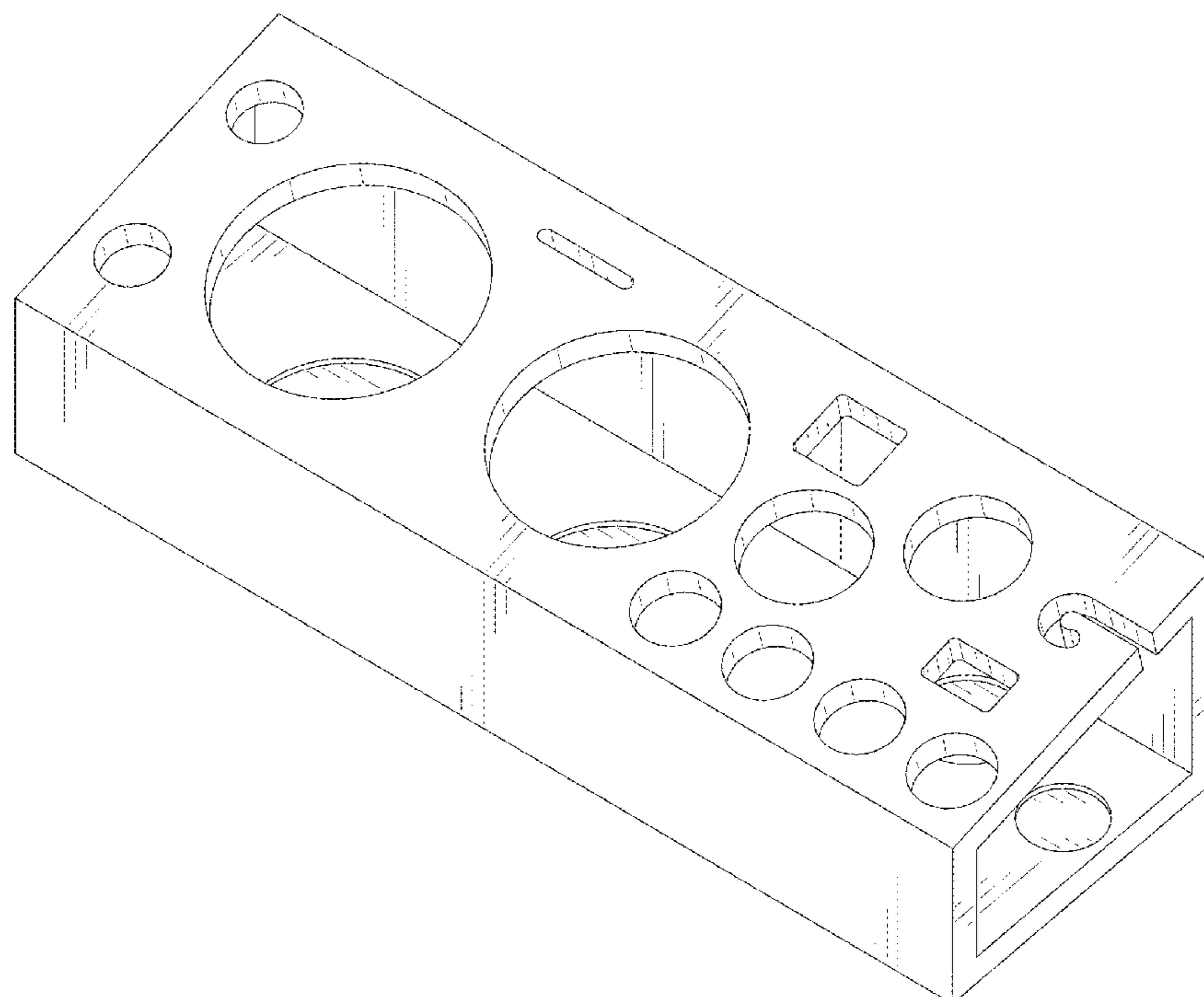
DESCRIPTION

FIG. 1 is a front perspective view of a wine glass holder, showing my design.
 FIG. 2 is a front elevation view thereof.
 FIG. 3 is a rear elevation view thereof.
 FIG. 4 is a left side elevation view thereof.
 FIG. 5 is a right side elevation view thereof.
 FIG. 6 is a top plan view thereof.
 FIG. 7 is a bottom plan view thereof; and,
 FIG. 8 is cross-sectional view along a line labeled 8 in FIG. 2.

The broken lines in the drawings depict environmental structure and boundaries and form no part of the claimed design.

1 Claim, 8 Drawing Sheets

- (56) **References Cited**
U.S. PATENT DOCUMENTS
- D127,900 S * 6/1941 Block D6/699
- D198,098 S * 4/1964 Kaneko D6/569
- D231,594 S * 5/1974 Demers D7/701
- D253,084 S * 10/1979 Berger D6/682.4
- D253,154 S * 10/1979 Kriesten D6/682.2



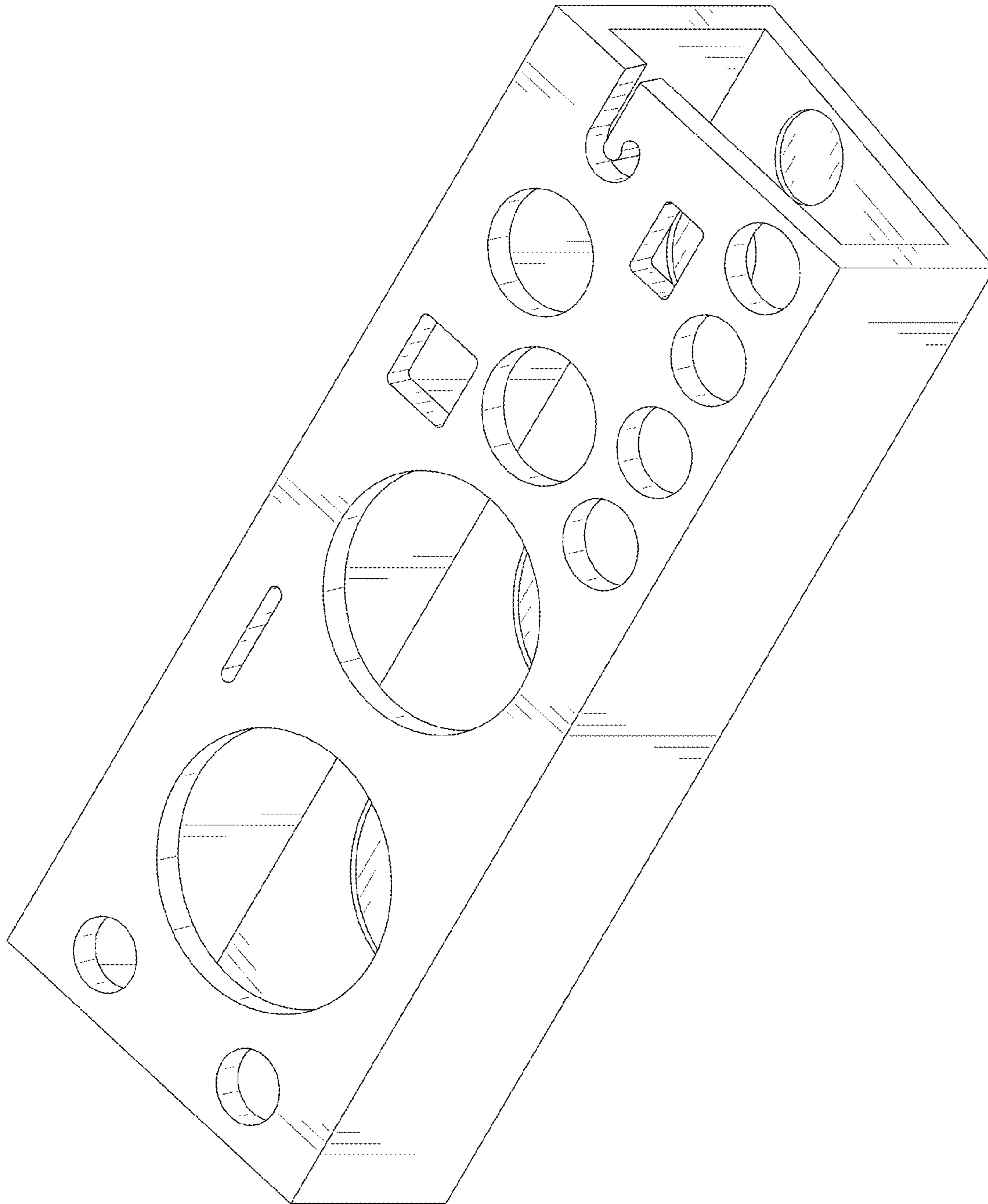


FIG.1

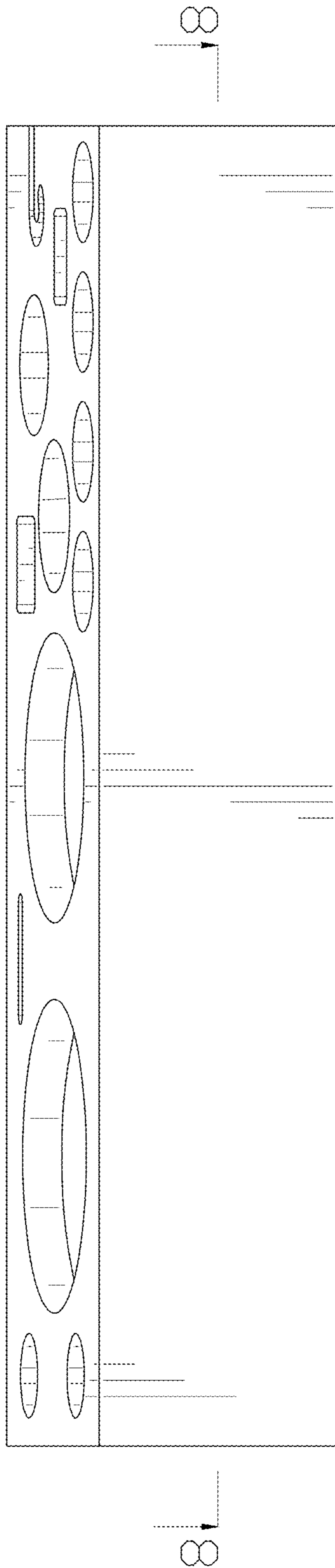


FIG. 2

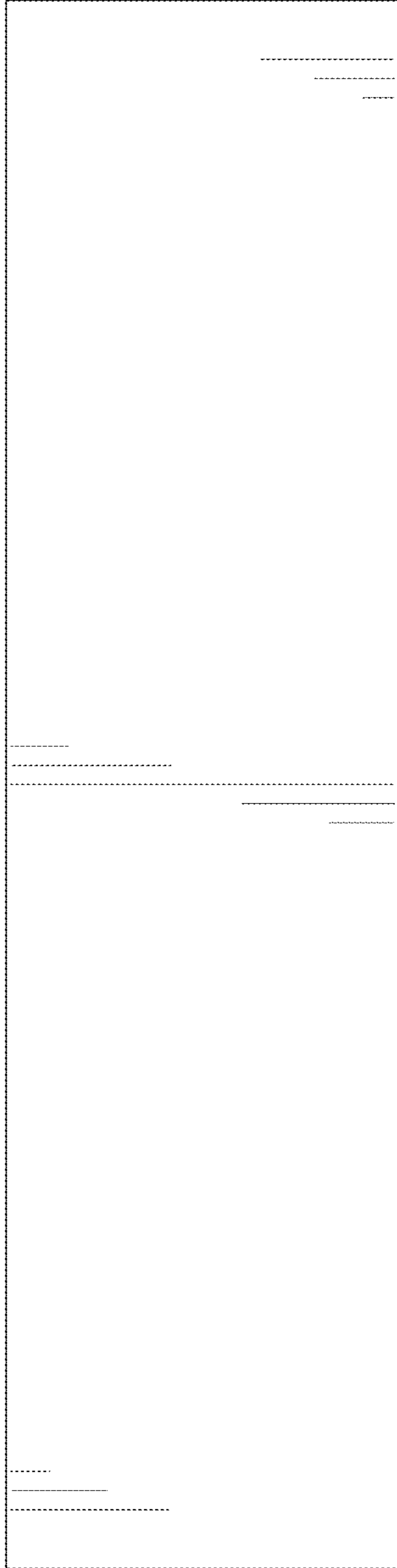


FIG. 3

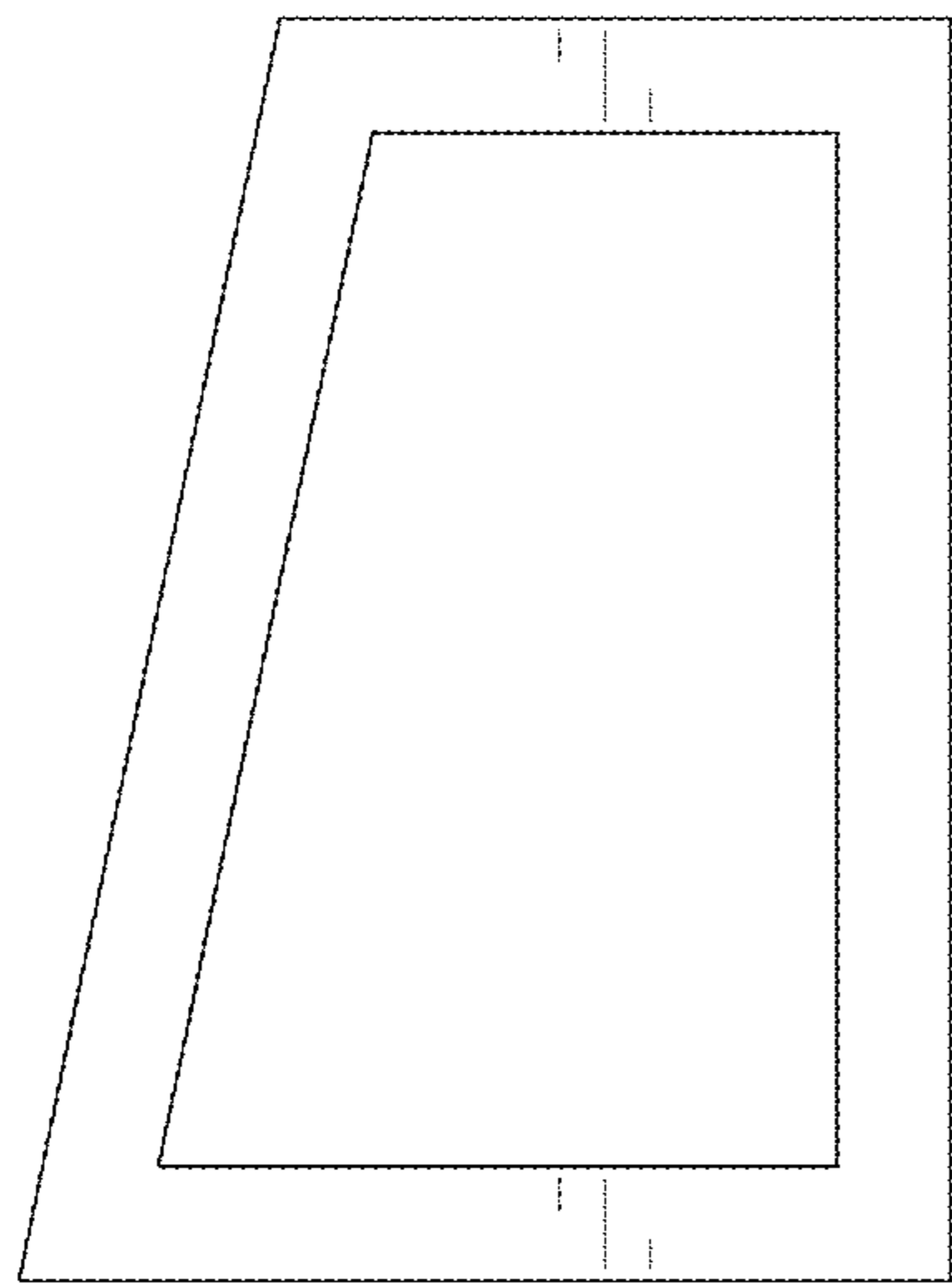


FIG. 4

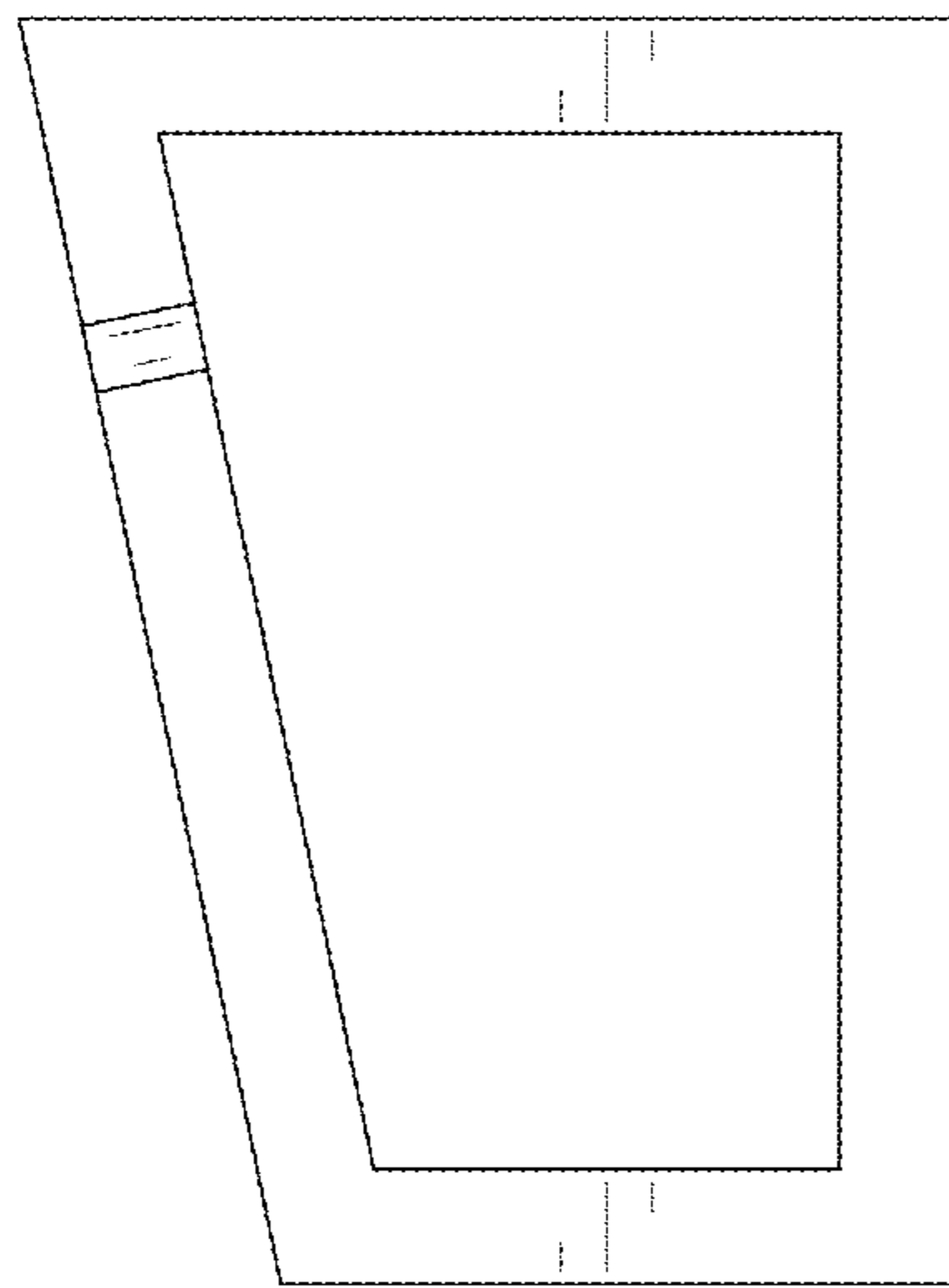


FIG. 5

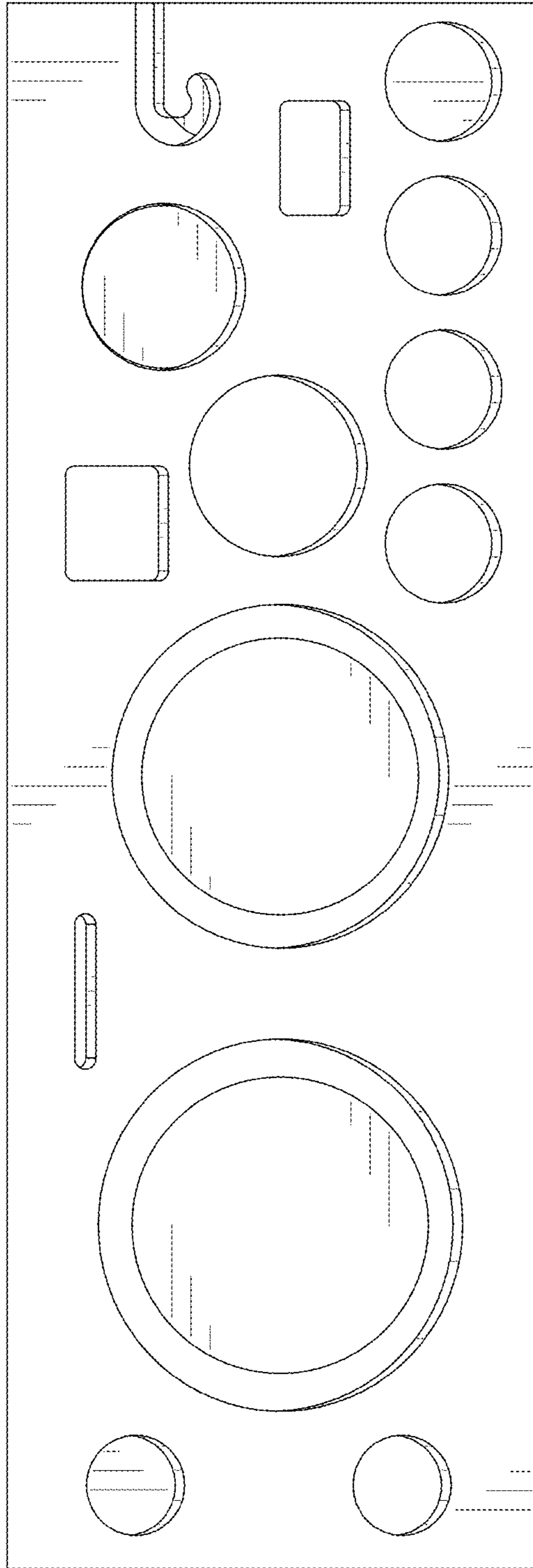


FIG. 6

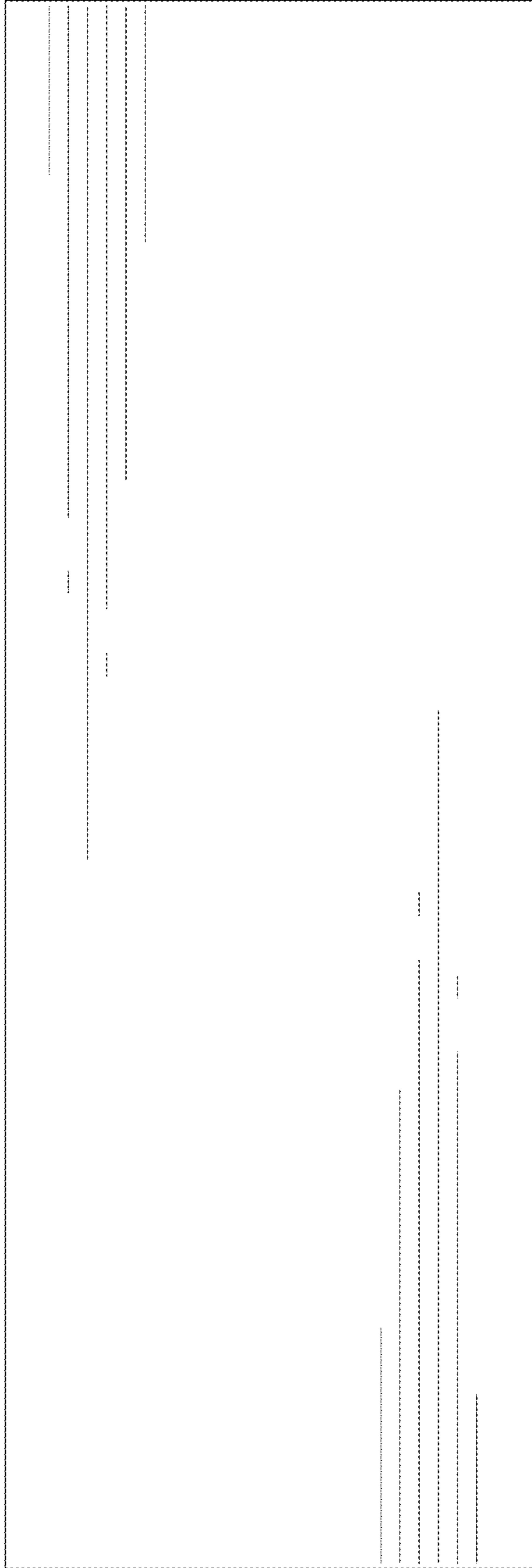


FIG. 7

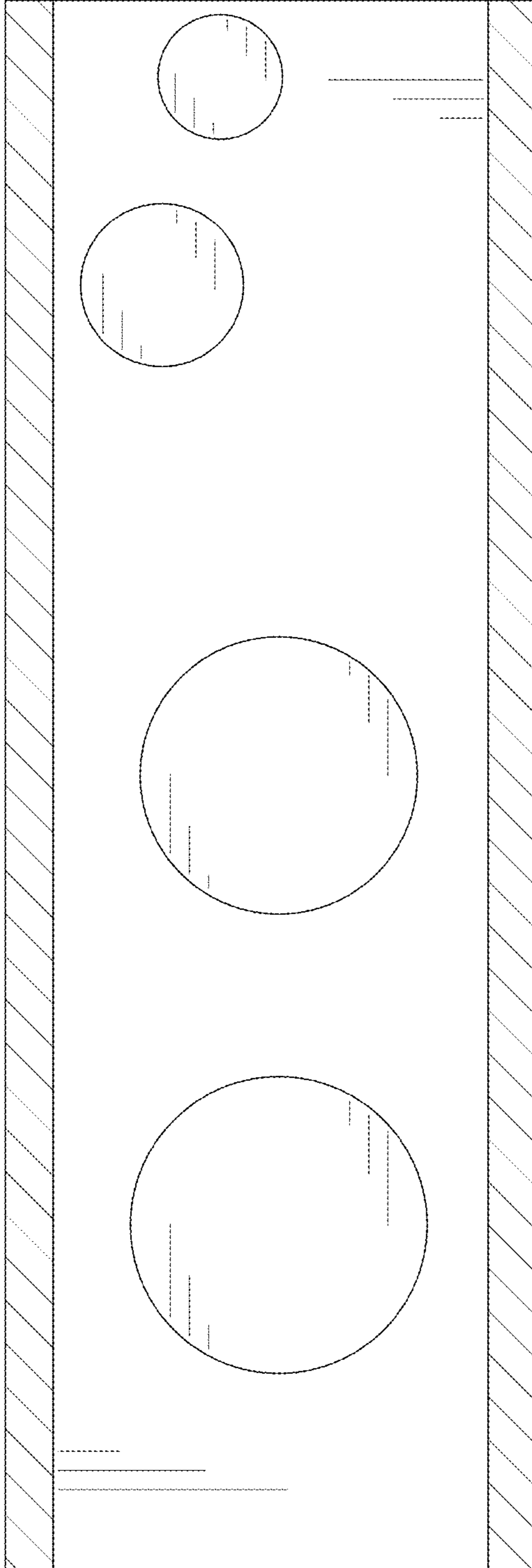


FIG. 8