



US00D917243S

(12) **United States Design Patent** (10) **Patent No.:** **US D917,243 S**
Xie (45) **Date of Patent:** **** Apr. 27, 2021**

(54) **LADLE**
 (71) Applicant: **Zhixia Xie**, Guangdong (CN)
 (72) Inventor: **Zhixia Xie**, Guangdong (CN)
 (73) Assignee: **Shenzhen Baozhixia Technology Co., Ltd.**, Shenzhen (CN)

D395,381 S * 6/1998 Cousins D7/691
 D527,959 S * 9/2006 Fung D7/690
 D598,720 S 8/2009 Wu
 D634,591 S 3/2011 Coppo
 D688,536 S 8/2013 Lion et al.
 D706,587 S 6/2014 Holding et al.

* cited by examiner

(**) Term: **15 Years**

Primary Examiner — Terry A Wallace

(21) Appl. No.: **29/760,006**

(22) Filed: **Nov. 27, 2020**

(51) **LOC (13) Cl.** **07-02**

(52) **U.S. Cl.**
USPC **D7/691**

(58) **Field of Classification Search**
 USPC D7/688–692, 669, 368
 CPC A21B 3/003; A47G 21/045; A47G 21/04;
 A47G 21/02; A47G 21/023; A47G
 21/026; A47J 43/283; A47J 43/281; A47J
 43/28; A47J 43/00; A47J 43/282; A47J
 43/285; A47J 43/288; A47F 13/08; A61J
 7/0023

See application file for complete search history.

(56) **References Cited**

U.S. PATENT DOCUMENTS

3,822,020 A * 7/1974 Hong A47J 43/281
 210/248
 3,886,345 A * 5/1975 Baisch H05B 3/00
 219/227

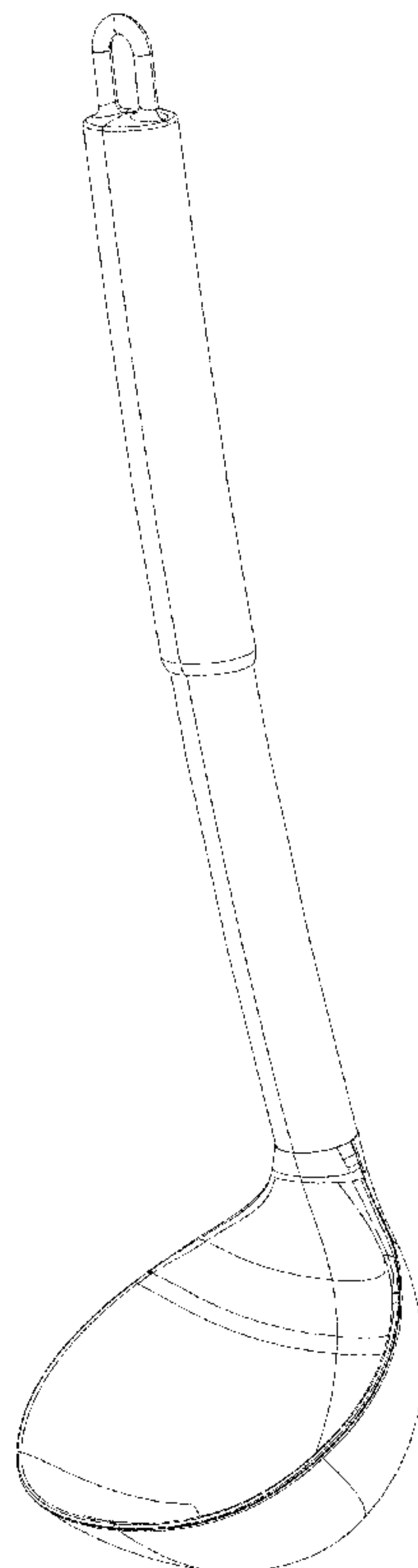
(57) **CLAIM**

The ornamental design for a ladle, as shown and described.

DESCRIPTION

FIG. 1 is a front, right side perspective view of a ladle showing my new design;
 FIG. 2 is a rear, left side perspective view thereof;
 FIG. 3 is a rear, right side perspective view thereof;
 FIG. 4 is a front elevation view thereof;
 FIG. 5 is a rear elevation view thereof;
 FIG. 6 is a left side elevation view thereof;
 FIG. 7 is a right side elevation view thereof;
 FIG. 8 is a top plan view thereof; and,
 FIG. 9 is a bottom plan view thereof.

1 Claim, 6 Drawing Sheets



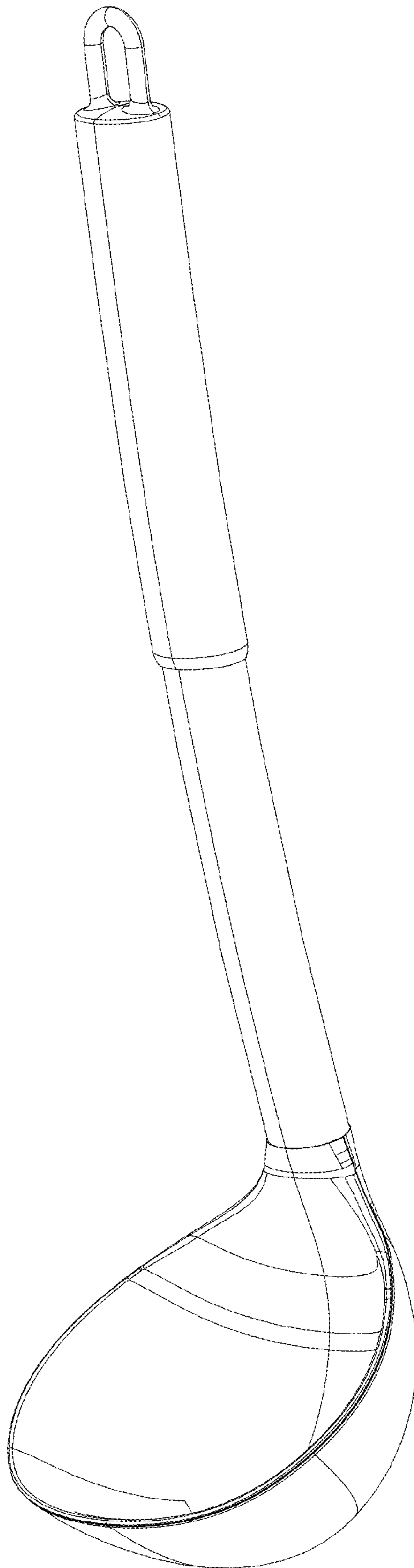


FIG.1

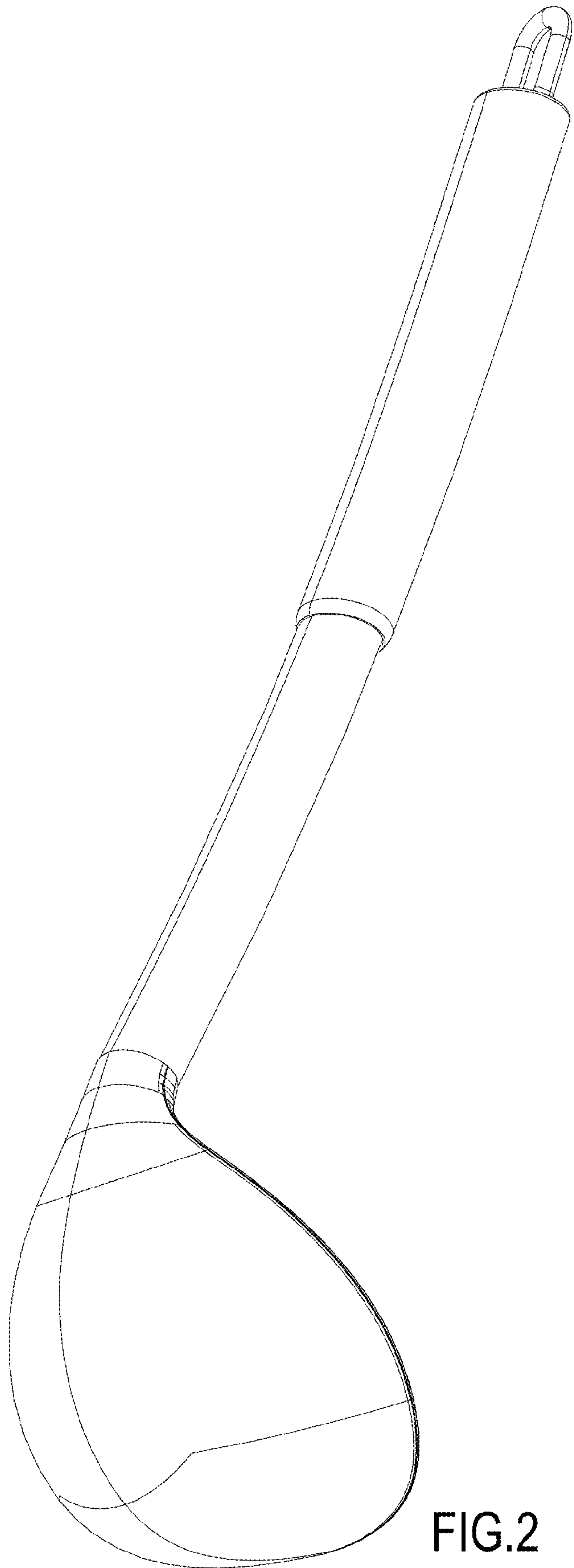


FIG.2

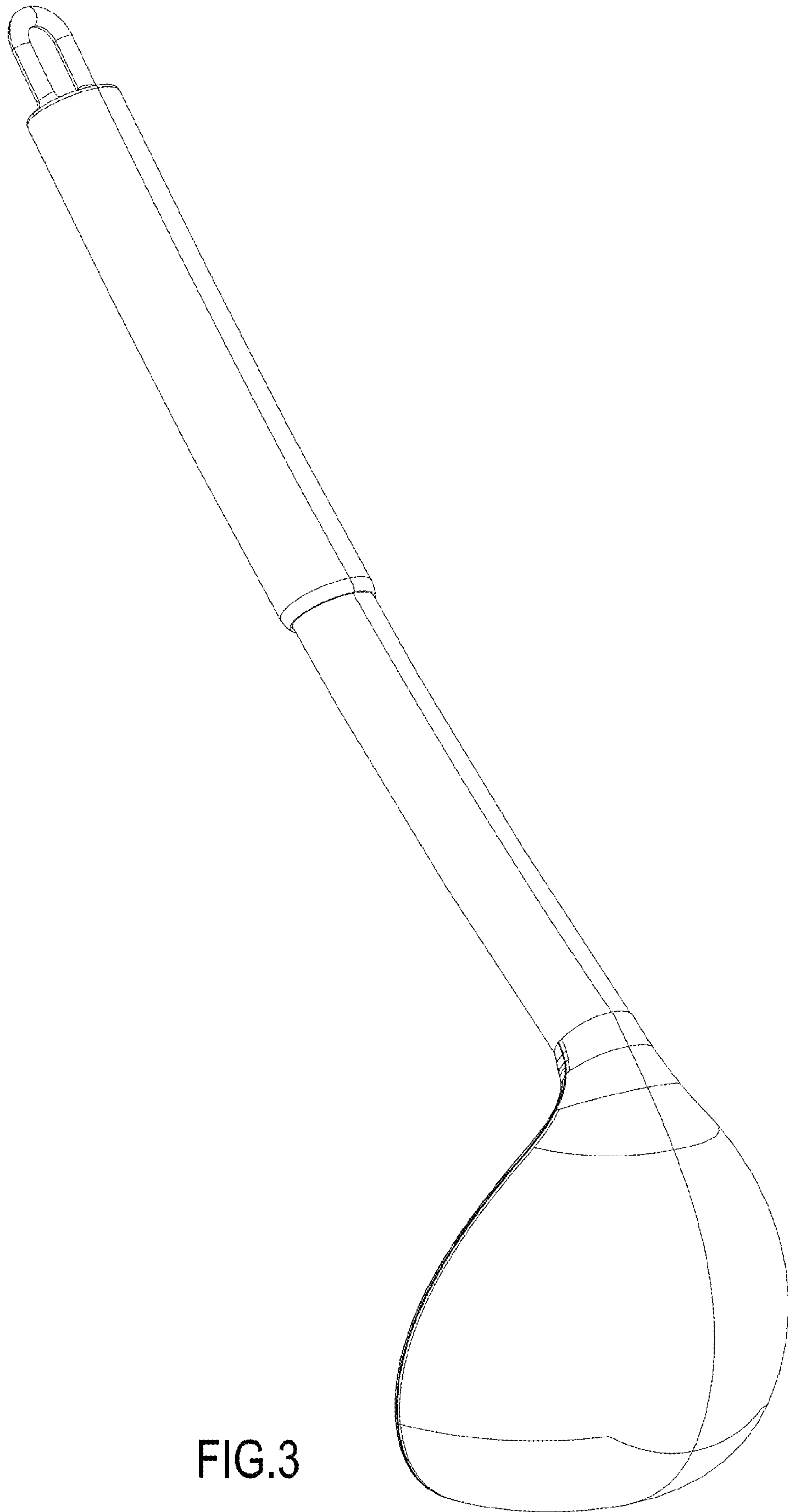
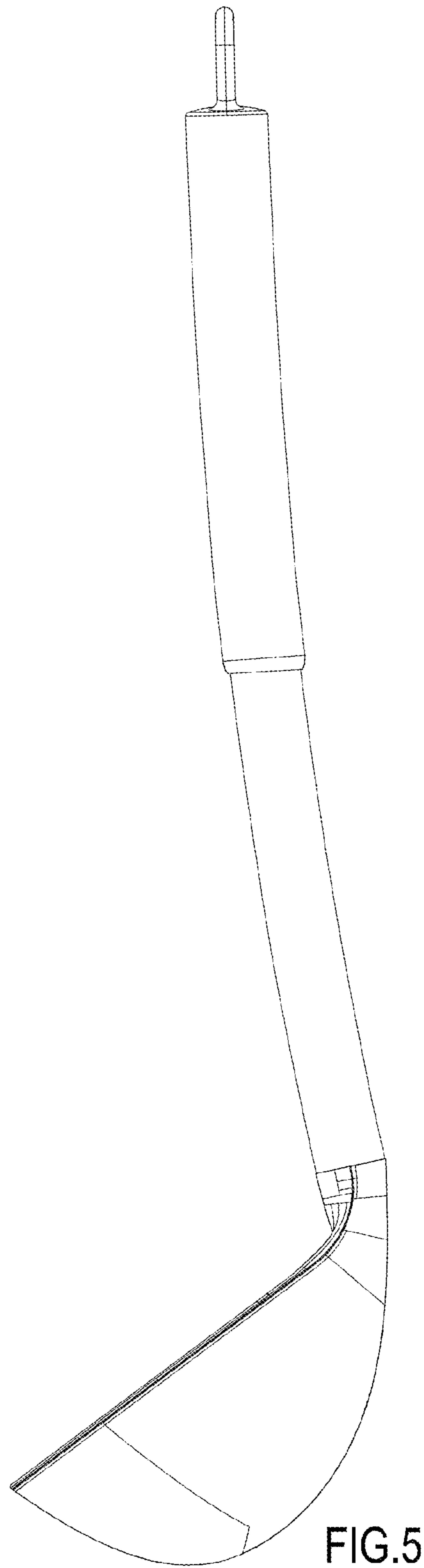
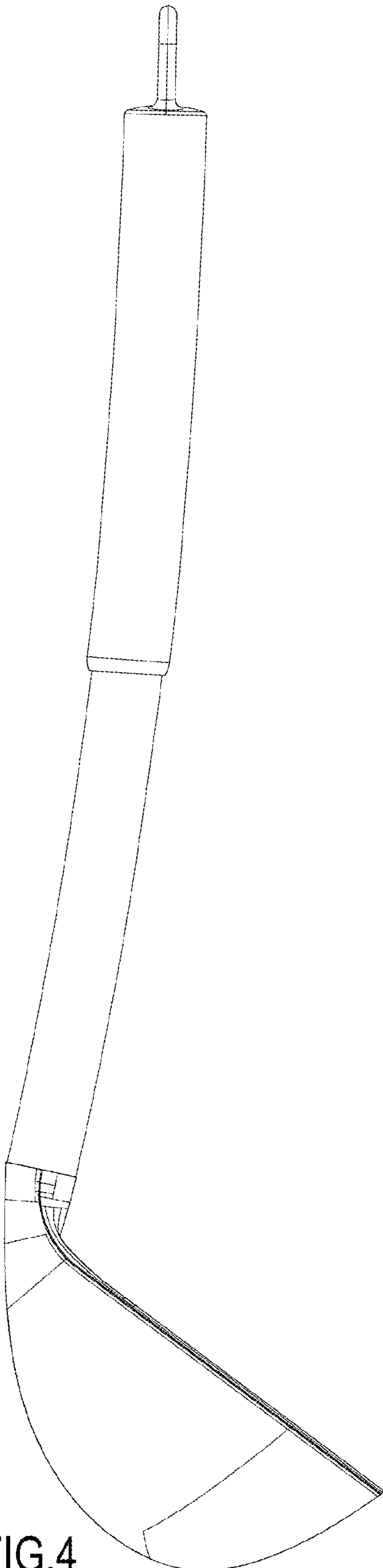
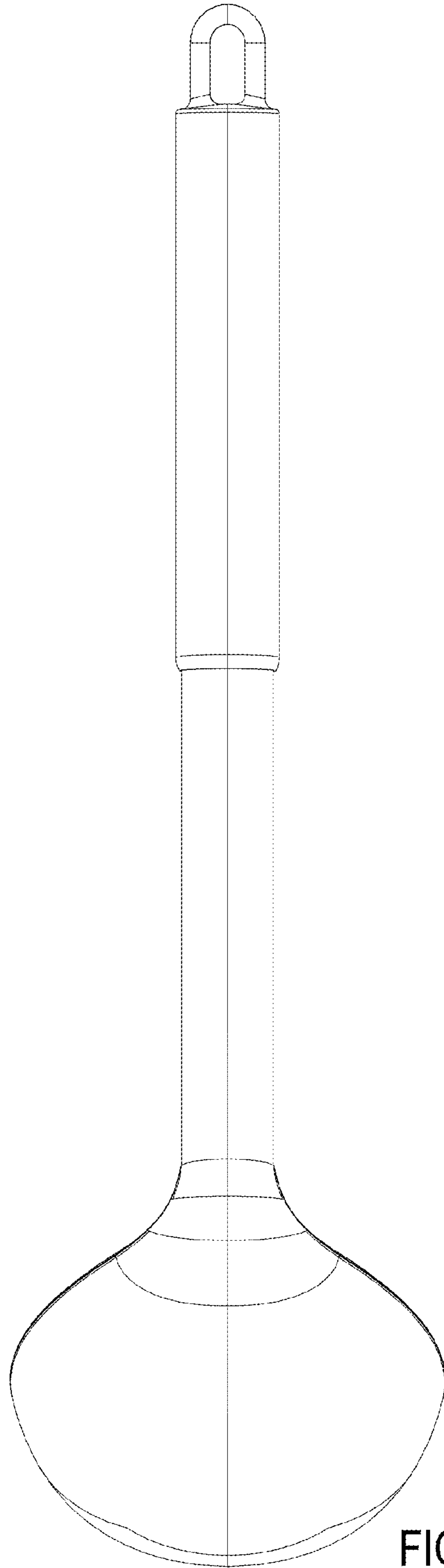
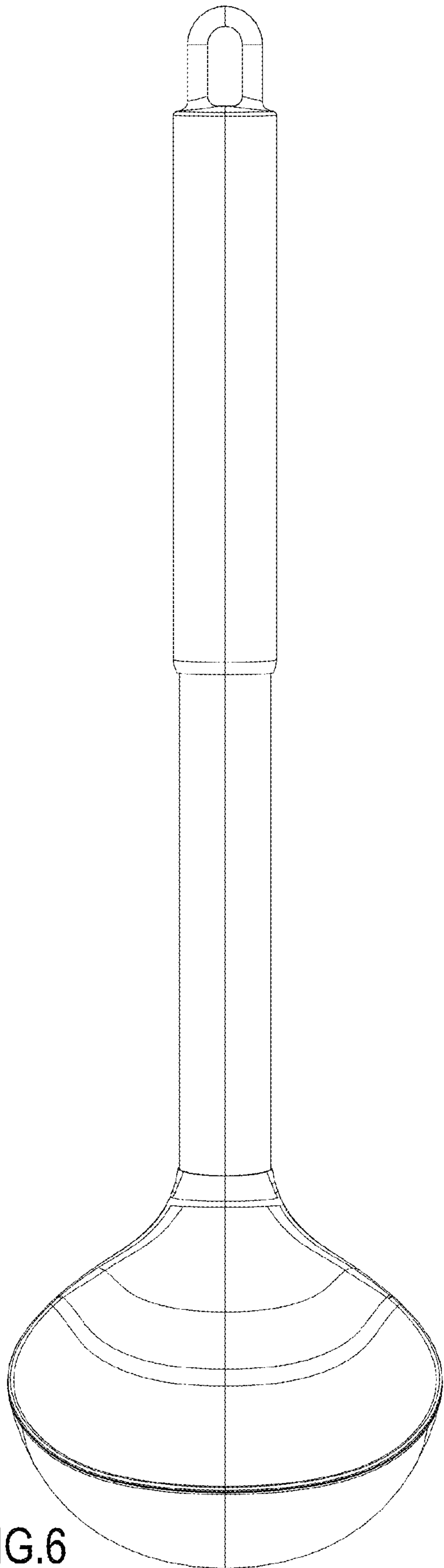


FIG.3





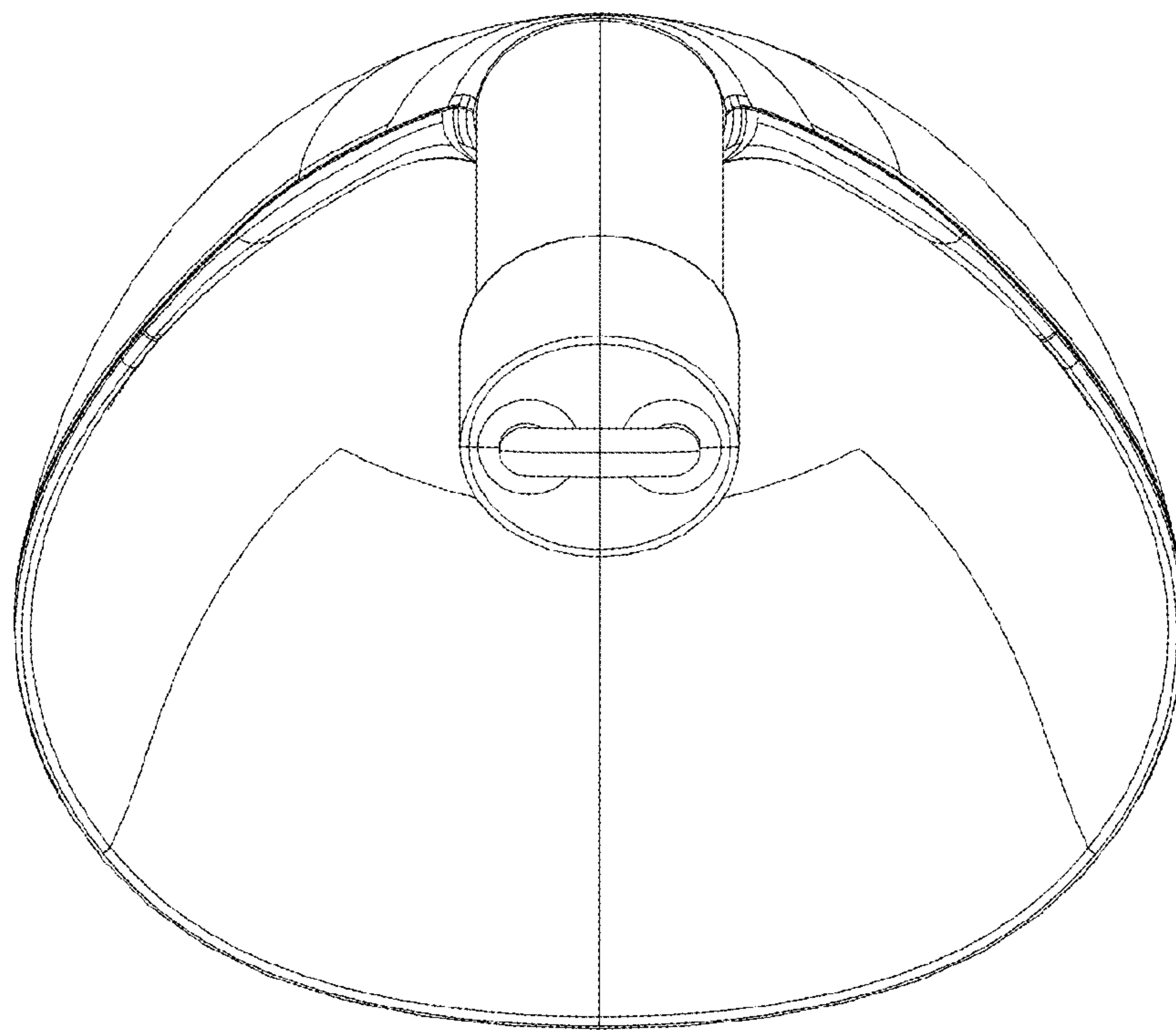


FIG. 8

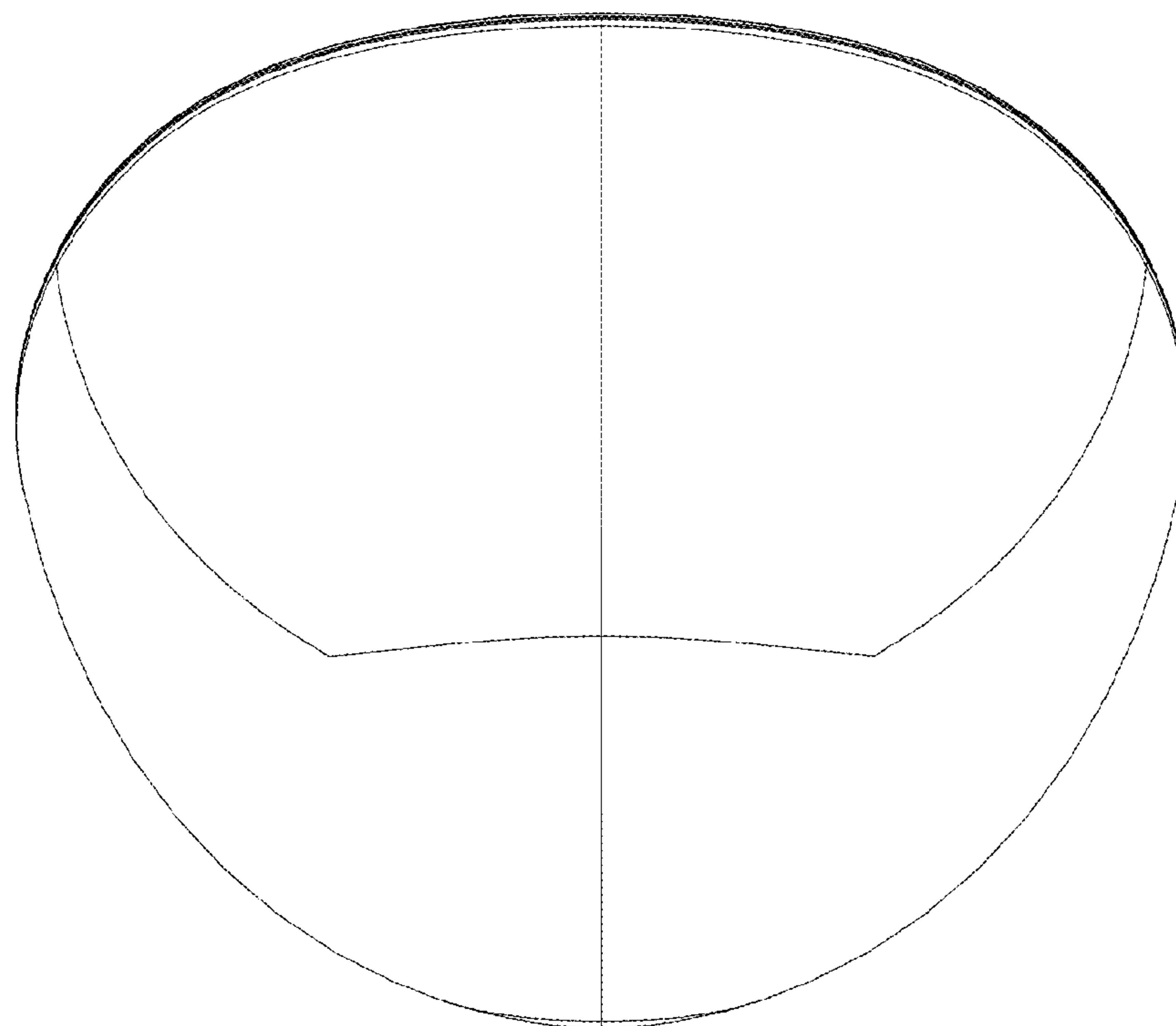


FIG. 9