



US00D917242S

(12) **United States Design Patent** (10) **Patent No.:** **US D917,242 S**
Berge et al. (45) **Date of Patent:** **** Apr. 27, 2021**

(54) **WAFFLE TONGS**

(71) Applicant: **National Presto Industries, Inc.**, Eau Claire, WI (US)

(72) Inventors: **Michael R. Berge**, Eau Claire, WI (US); **Brent T. Ellis**, Altoona, WI (US); **Russell W. Hall**, Eau Claire, WI (US)

(73) Assignee: **National Presto Industries, Inc.**, Eau Claire, WI (US)

(**) Term: **15 Years**

(21) Appl. No.: **29/702,403**

(22) Filed: **Aug. 19, 2019**

(51) **LOC (13) Cl.** **07-06**

(52) **U.S. Cl.**
USPC **D7/686**

(58) **Field of Classification Search**
USPC D7/680-697; D24/122, 128
CPC C03B 35/20; A47J 43/283; A47G 21/10;
A47G 21/106; B81C 99/002; B25B 9/00;
B25B 9/02; B25J 7/00
See application file for complete search history.

(56) **References Cited**

U.S. PATENT DOCUMENTS

1,336,734	A *	4/1920	De Graff	A47J 37/0611 99/375
2,378,867	A *	6/1945	Reichart	A47J 45/077 294/31.2
2,801,873	A *	8/1957	Faughnder	A47J 43/288 294/7
2,839,325	A *	6/1958	Jeanfavre	F25C 5/043 294/99.2
D264,298	S *	5/1982	Guttman	D7/690
4,345,516	A *	8/1982	Sinclair	A47J 37/108 249/115
D453,450	S *	2/2002	Drummond	D7/693

D488,361	S *	4/2004	Bertulis	D7/693
D545,138	S *	6/2007	Dockendorf	D7/637
D672,622	S *	12/2012	Donahue	D7/687
D682,631	S *	5/2013	Kent	D7/691
D792,174	S *	7/2017	Galik	D7/686
D821,829	S *	7/2018	Krus	D7/693

(Continued)

OTHER PUBLICATIONS

Presto 03512 Stuffer Stuffed Waffle Maker, Belgian, Style. Online, published date Apr. 27, 2020. Retrieved on Dec. 23, 2020 from uRL: <https://www.amazon.com/Presto-03512-Stuffer-Stuffed-Belgian/dp/B087QRK33P>.*

(Continued)

Primary Examiner — Susan Bennett Hattan
Assistant Examiner — Omeed Agilee

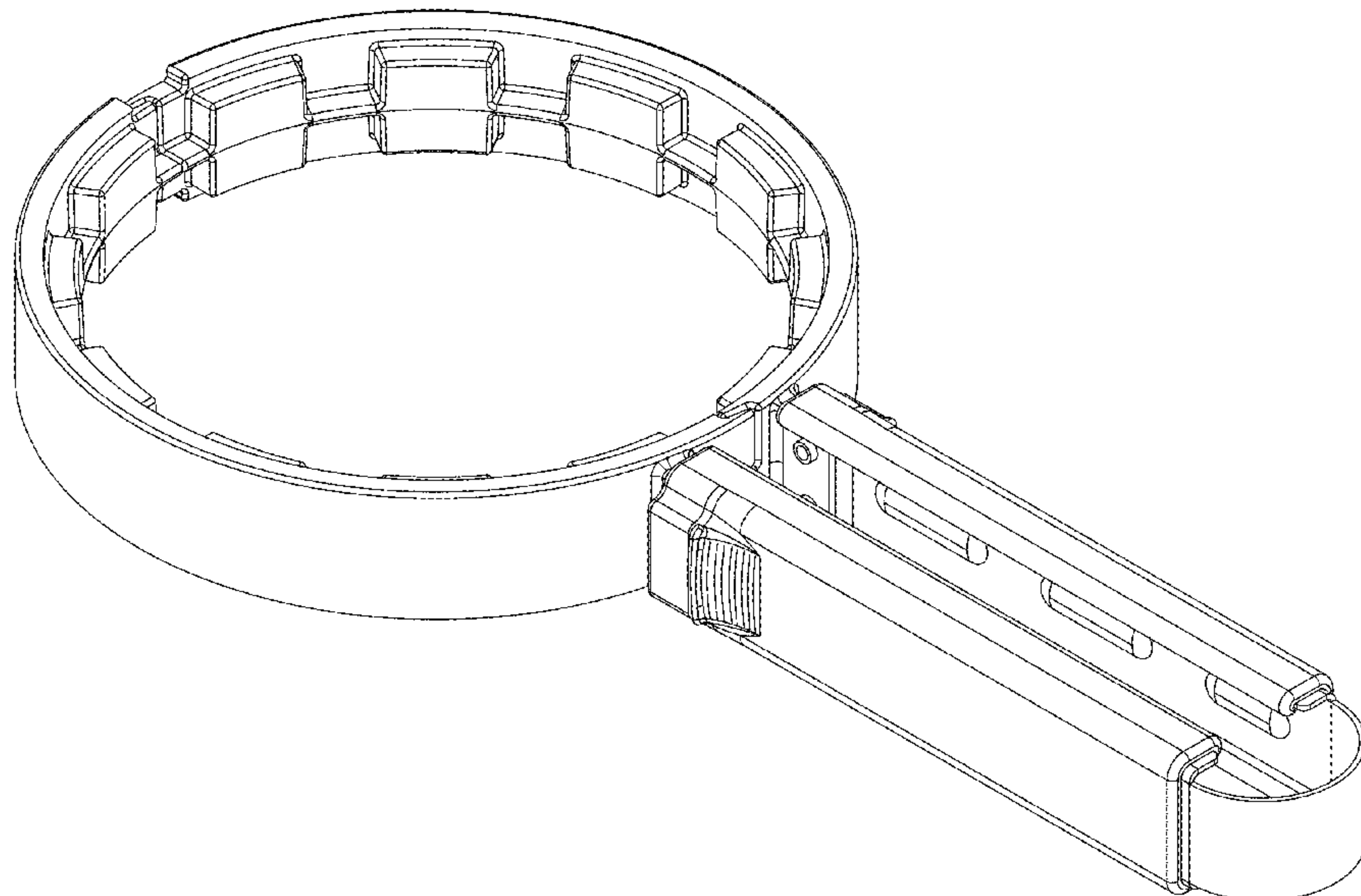
(57) **CLAIM**

The ornamental design for waffle tongs, as shown and described.

DESCRIPTION

FIG. 1 is a top, rear perspective view of waffle tongs of the present invention.
FIG. 2 is a top view of the waffle tongs depicted in FIG. 1.
FIG. 3 is an enlarged front view of the waffle tongs depicted in FIG. 1.
FIG. 4 is a bottom view of the waffle tongs depicted in FIG. 1.
FIG. 5 is an enlarged rear view of the waffle tongs depicted in FIG. 1.
FIG. 6 is a left, side view of the waffle tongs depicted in FIG. 1.
FIG. 7 is a right, side view of the waffle tongs depicted in FIG. 1; and,
FIG. 8 is a top, rear perspective view of the waffle tongs of the present invention in an open disposition.

1 Claim, 8 Drawing Sheets



(56)

References Cited

U.S. PATENT DOCUMENTS

10,028,621 B1 * 7/2018 Galik A47J 43/28
D856,080 S * 8/2019 Stulberg D7/410

OTHER PUBLICATIONS

Amazon.com: Aroma Bakeware Silicone Waffle Tongs, Orange: Kitchen & Dining, https://www.amazon.com/dp/B01C7WKRRO/ref-psdc_289772_t2_B00Z1JJ0YK, Aug. 19, 2019, 8 pages.

Amazon.com: Norpro Grip-EZ and Lift Silicone Tongs: Food Tongs: Kitchen & Dining, https://www.amazson.com/dp?B006OVZRT8/ref-psdc_289772_t2_B01C7WKRRO, Aug. 19, 2019, 10 pages.

Amazon.com: Tovolo Mini Silicone Easy-Grip Waffle Tongs, Non-Slip Handle, Candy Apple Red: Gateway, https://www.amazon.com/Tovolog-Silicone-Easy-Grip-Waffle-Non-Slip/dp/B00Z1JJ0YK/ref=sr_1_4?keywords=waffle+tongs&Qid=1566245997&s-gatewaym, Aug. 19, 2019, 9 pages.

* cited by examiner

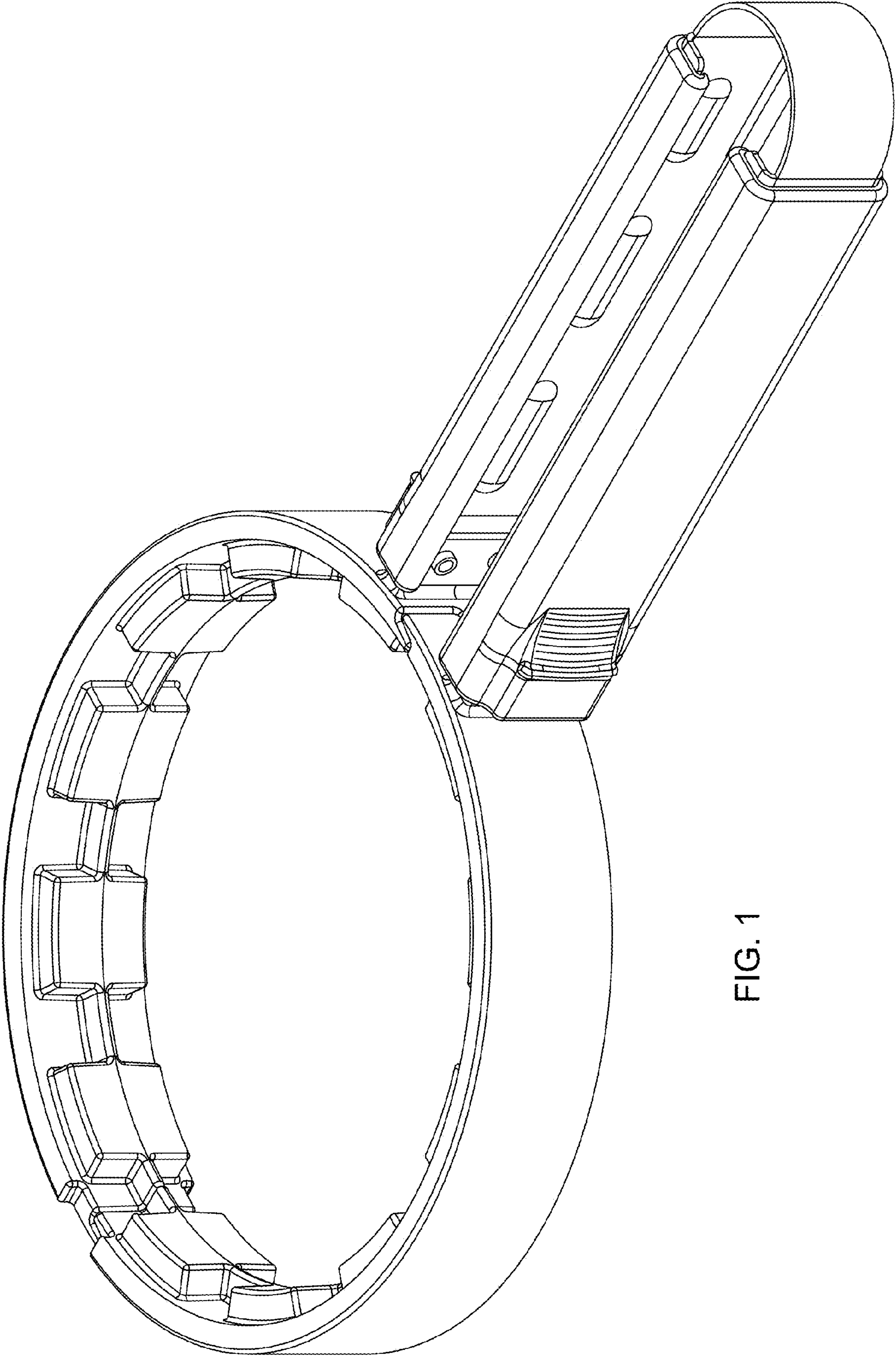


FIG. 1

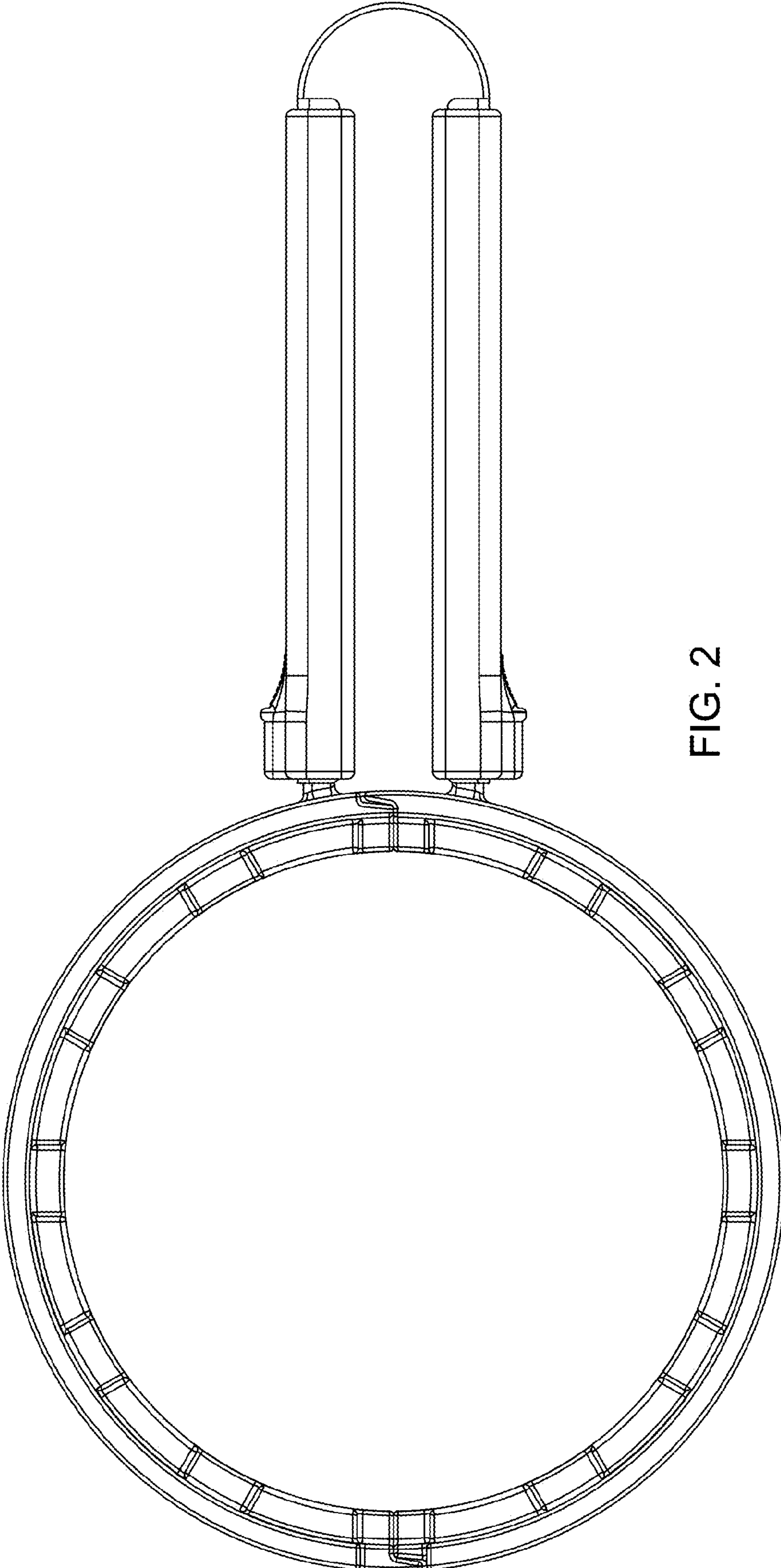


FIG. 2

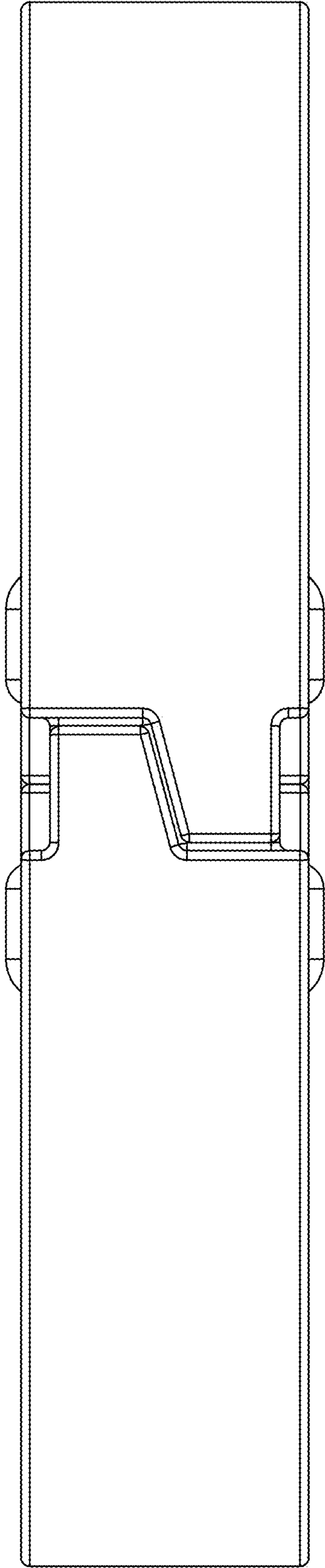


FIG. 3

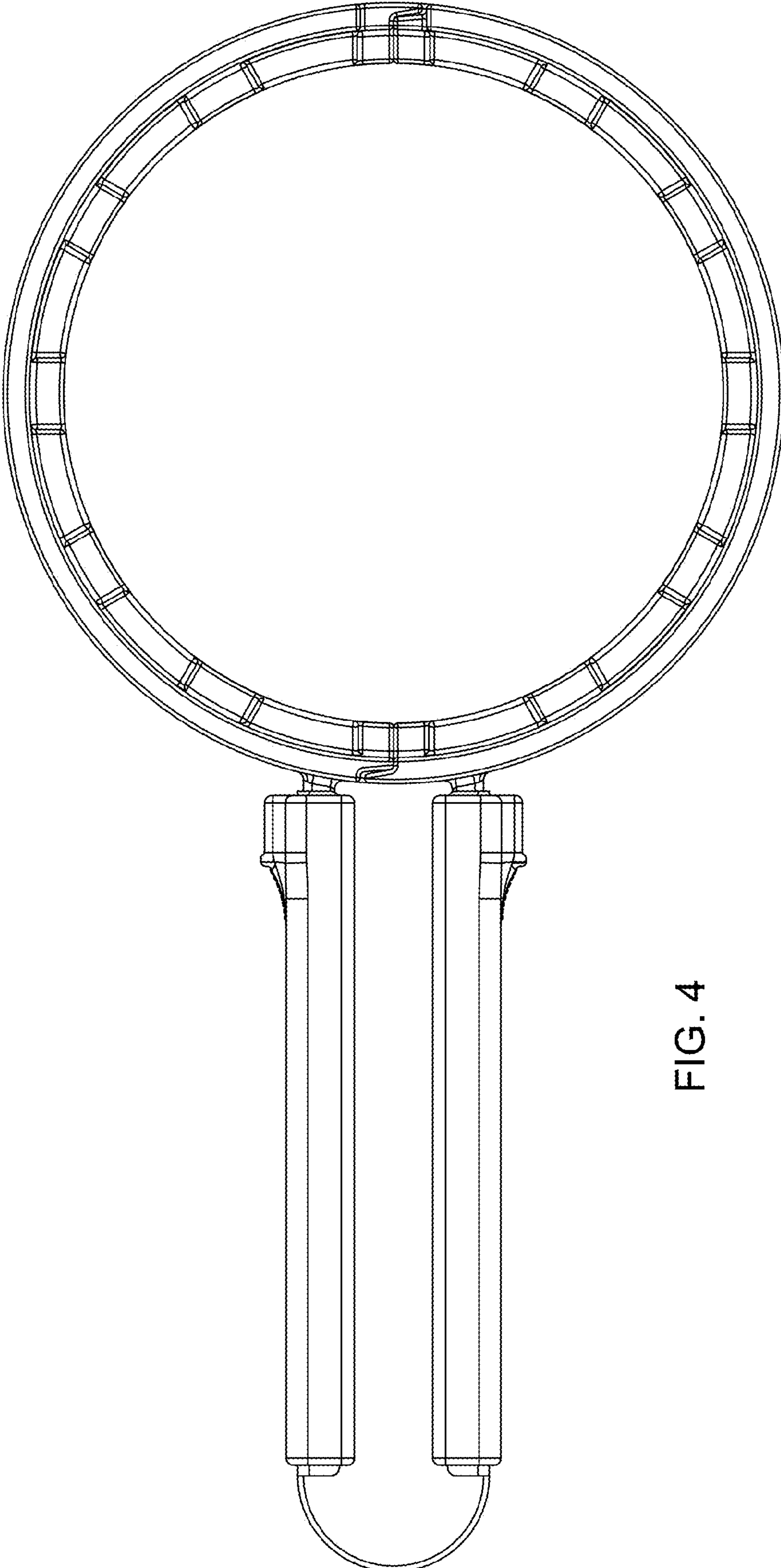


FIG. 4

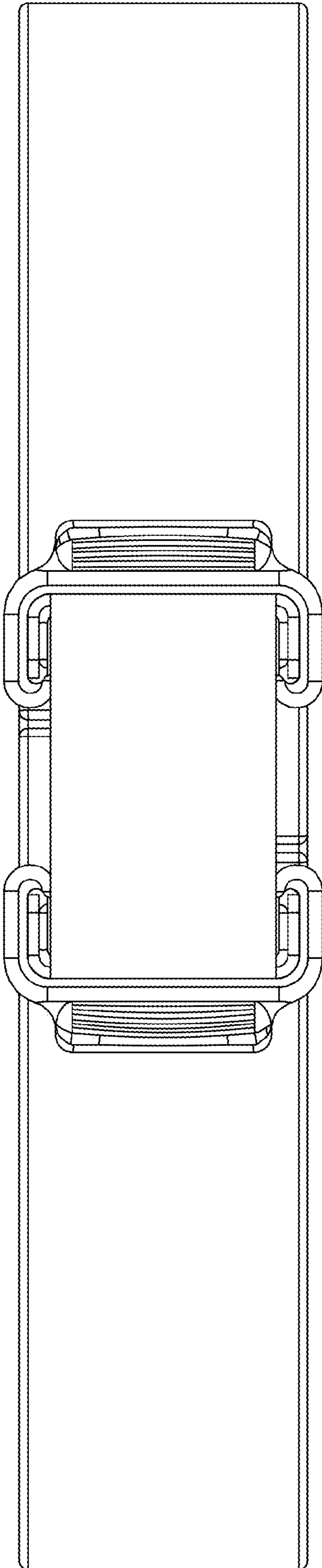


FIG. 5

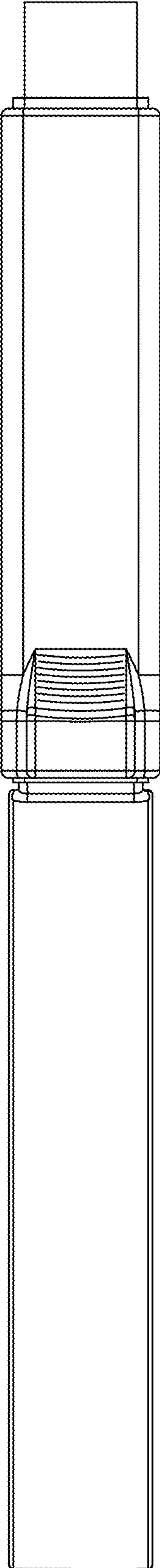


FIG. 6

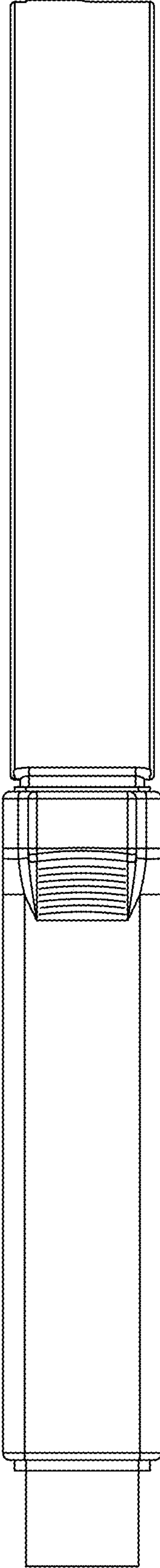


FIG. 7

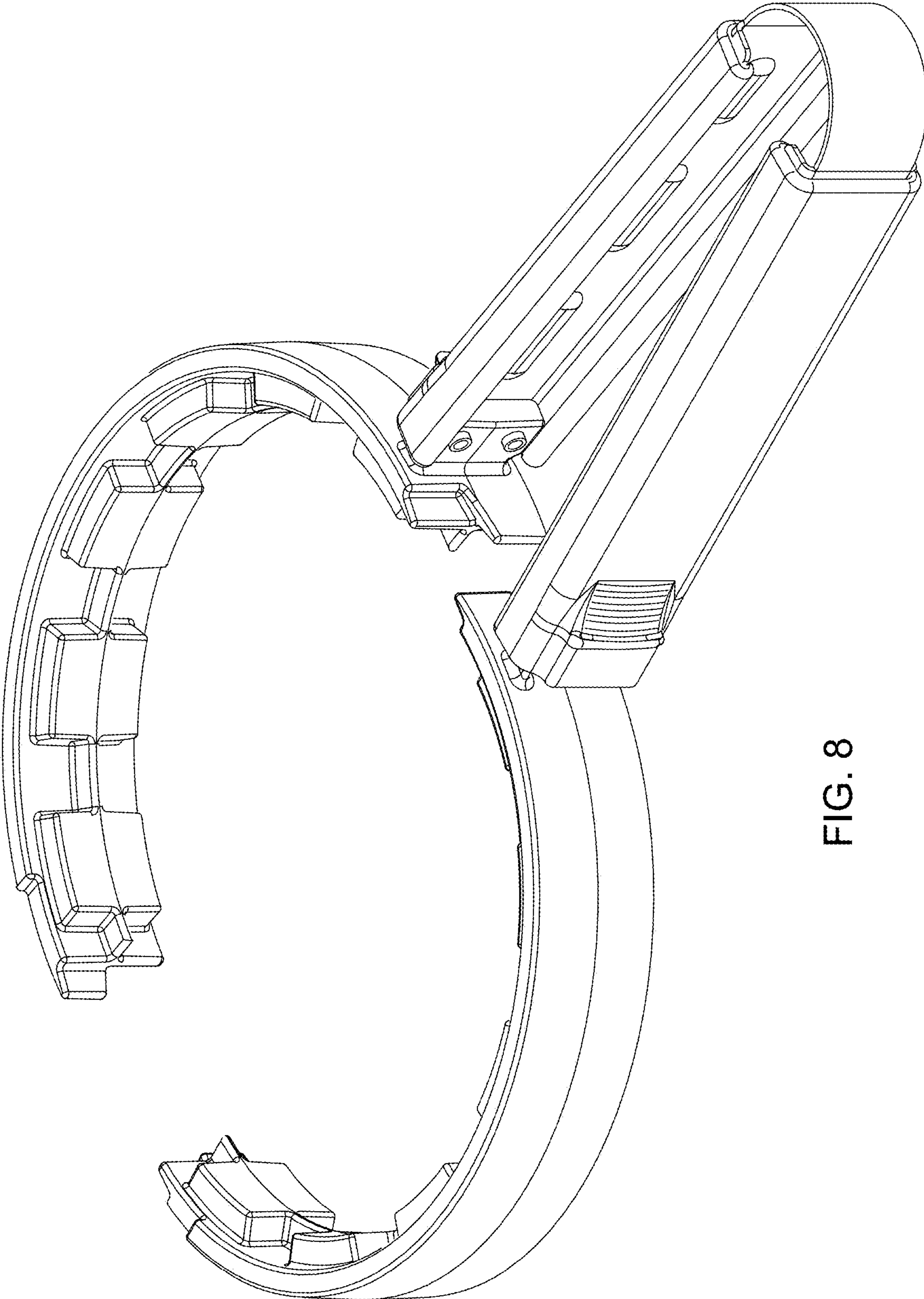


FIG. 8