



US00D917241S

(12) **United States Design Patent**  
**Dittrich**

(10) **Patent No.:** **US D917,241 S**  
(45) **Date of Patent:** **\*\* Apr. 27, 2021**

(54) **STRAINER**

(71) Applicant: **Spectrum Diversified Designs, LLC**,  
Streetsboro, OH (US)

(72) Inventor: **Megan Dittrich**, Twinsburg, OH (US)

(73) Assignee: **Spectrum Diversified Designs, LLC**,  
Streetsboro, OH (US)

(\*\*) Term: **15 Years**

(21) Appl. No.: **29/756,976**

(22) Filed: **Nov. 2, 2020**

**Related U.S. Application Data**

(63) Continuation of application No. 29/692,321, filed on  
May 24, 2019, now Pat. No. Des. 904,135.

(51) **LOC (13) Cl.** ..... **07-04**

(52) **U.S. Cl.**  
USPC ..... **D7/668**

(58) **Field of Classification Search**  
USPC ..... D7/667, 668, 400, 538-549, 586, 587,  
D7/669, 368

CPC .. A47J 43/24; A47J 43/22; A47J 43/00; A47J  
19/04; A47J 19/005; A47J 19/00; A47J  
36/08; A47J 36/20; A47J 36/22; A47J  
27/16; A47J 31/06; A47J 42/28; A47J  
42/286; B01D 29/035

See application file for complete search history.

(56) **References Cited**

**U.S. PATENT DOCUMENTS**

3,995,544 A 12/1976 Farley  
D391,440 S \* 3/1998 Cousins ..... D7/360  
5,902,481 A \* 5/1999 Schwieter ..... A47J 43/24  
210/464

6,422,138 B1 7/2002 Ballard  
D512,881 S \* 12/2005 Bertulis ..... D7/665  
D598,717 S 8/2009 Jalet  
2004/0238438 A1 12/2004 Chen  
2007/0251874 A1\* 11/2007 Stewart ..... A47J 43/24  
210/232  
2010/0101435 A1 4/2010 Hughes  
2019/0365132 A1\* 12/2019 Farkas ..... A47J 27/12

**OTHER PUBLICATIONS**

Kitchencraft Stainless Steel Food Can Strainer Sieve Tuna Press Oil  
Drainer, No Mess Design, Amazon website, <https://www.amazon.com/Kitchencraft-Stainless-Strainer-Drainer-Design/dp/B0001IX3WI>, dated May 20, 2019, 1 page.

\* cited by examiner

*Primary Examiner* — Terry A Wallace

(74) *Attorney, Agent, or Firm* — Tucker Ellis LLP

(57) **CLAIM**

The ornamental design for a strainer, as shown and  
described.

**DESCRIPTION**

FIG. 1 is a perspective view of a strainer showing my new  
design;

FIG. 2 is a front view thereof, a rear view being a mirror  
image;

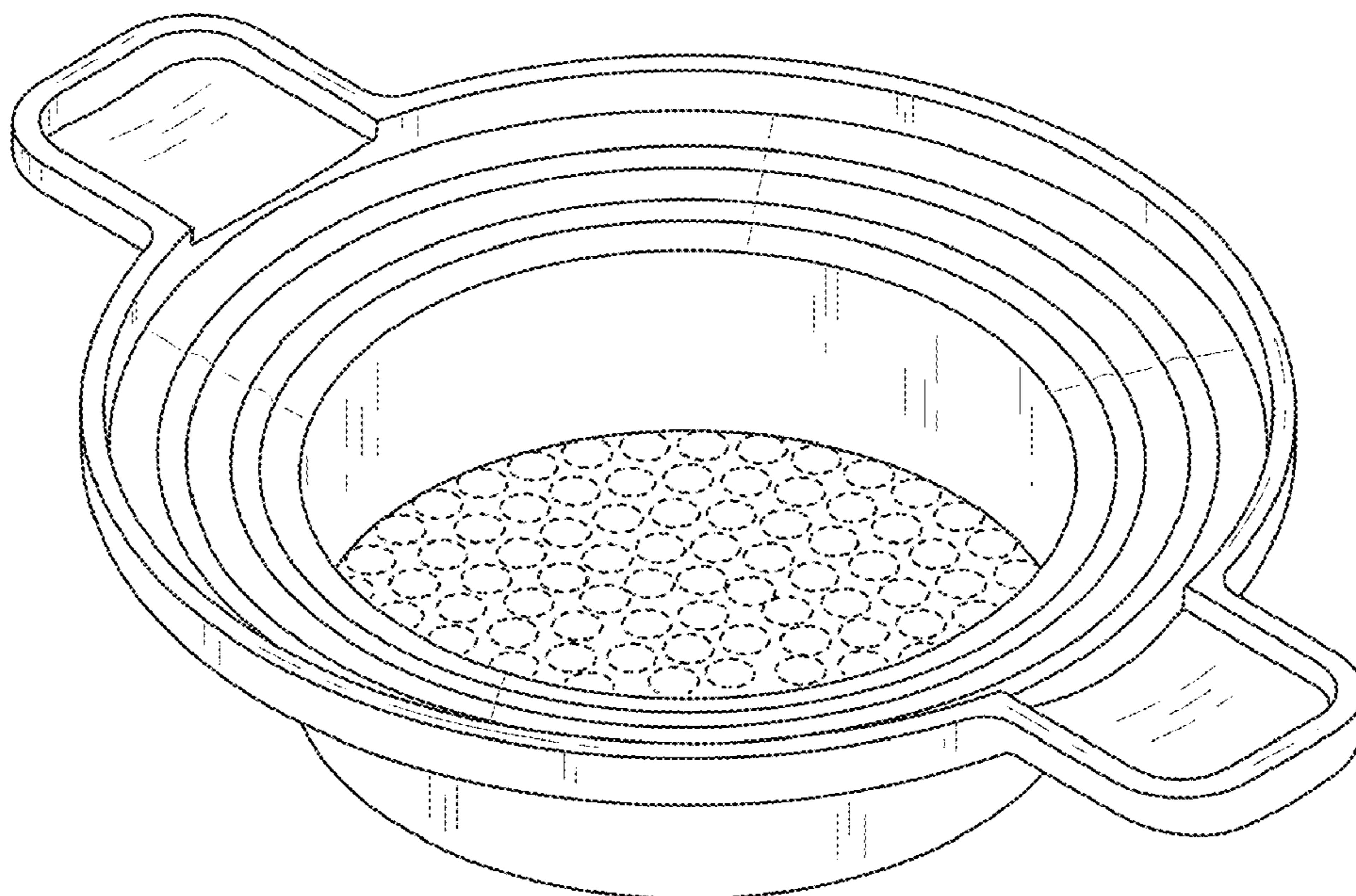
FIG. 3 is a right side view thereof, a left side view being a  
mirror image;

FIG. 4 is a top view thereof; and,

FIG. 5 is a bottom view thereof.

The broken lines show portions of the design that form no  
part of the claimed design.

**1 Claim, 5 Drawing Sheets**



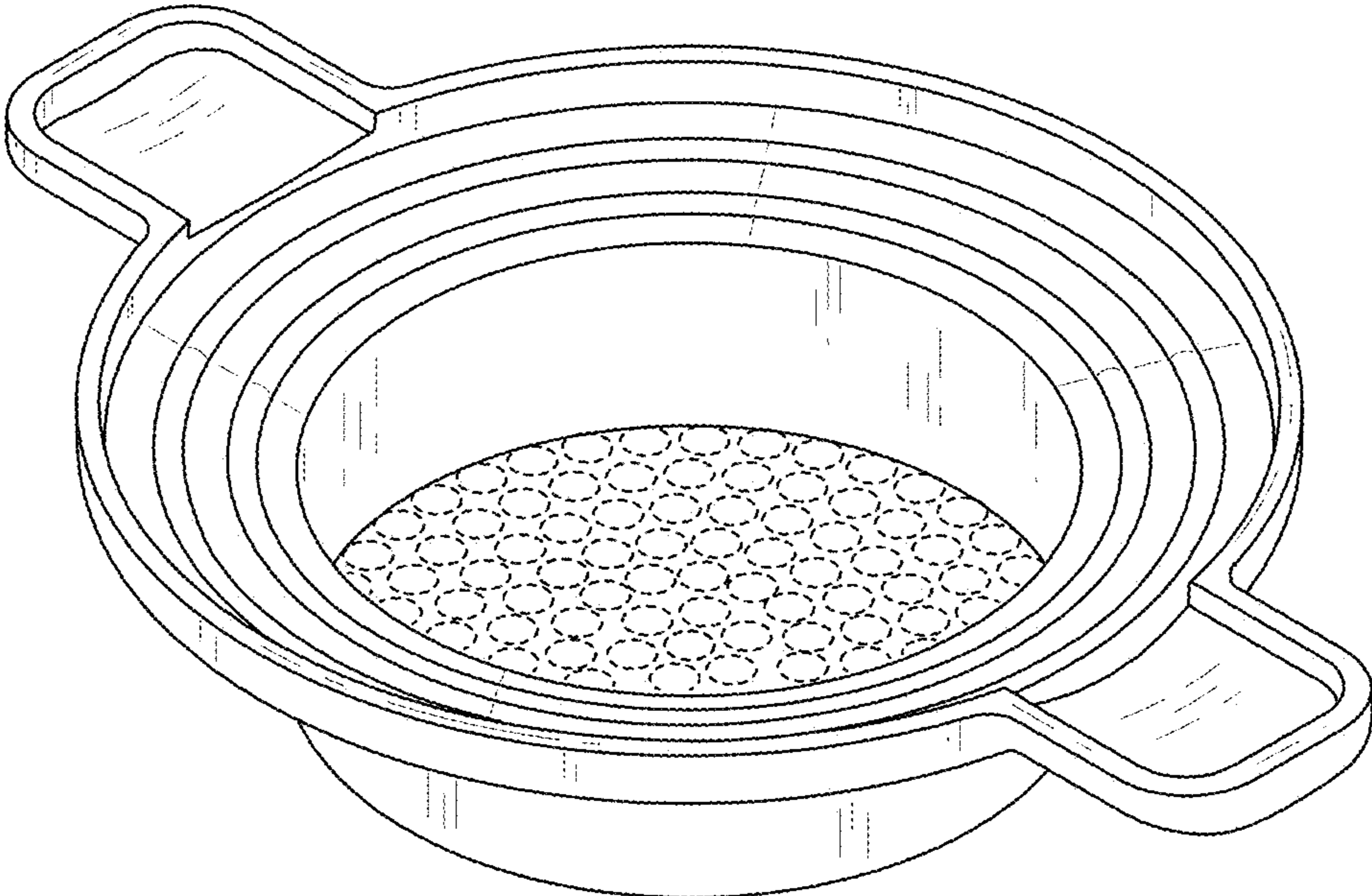


Fig. 1

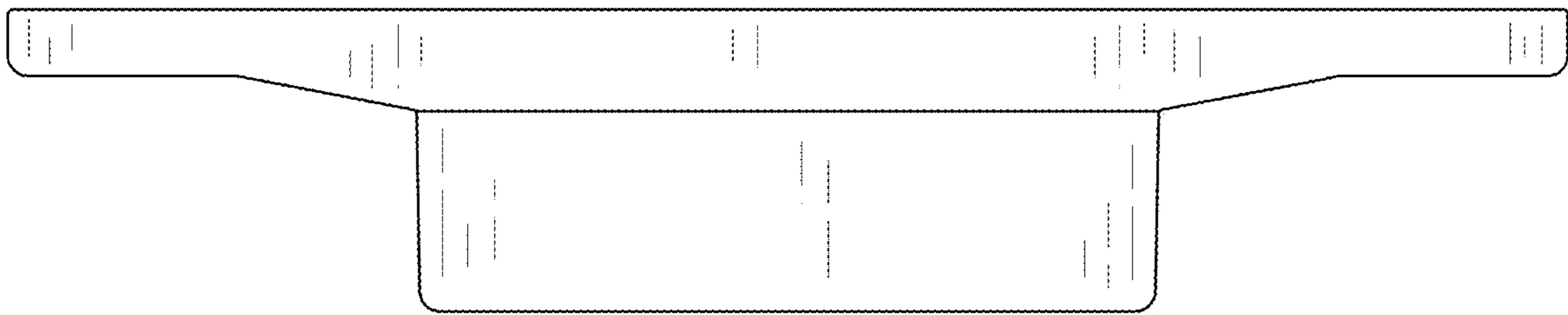


Fig. 2

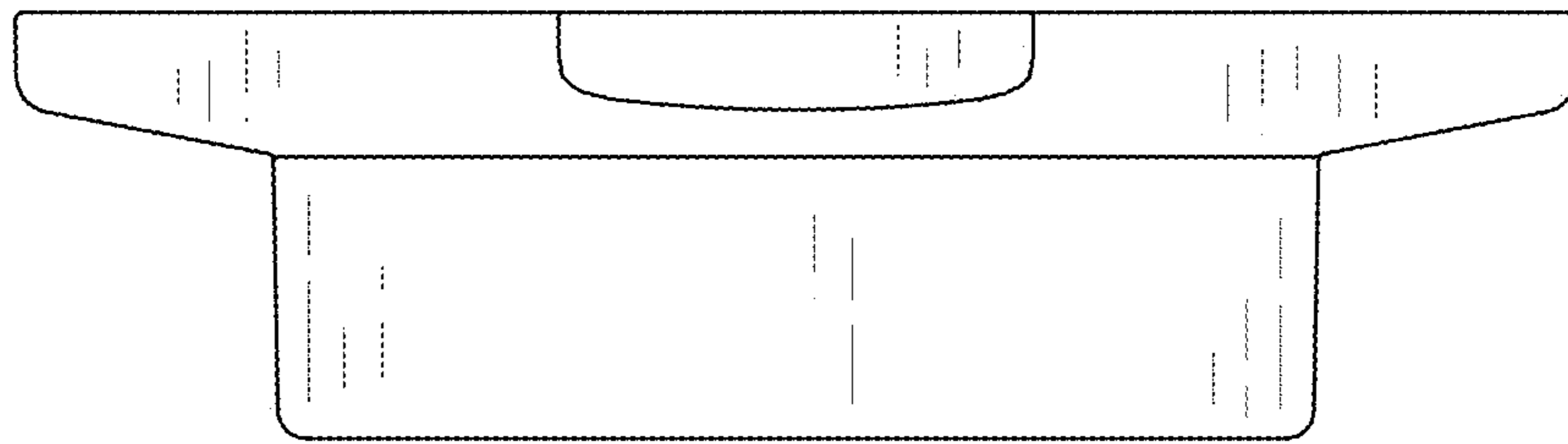


Fig. 3

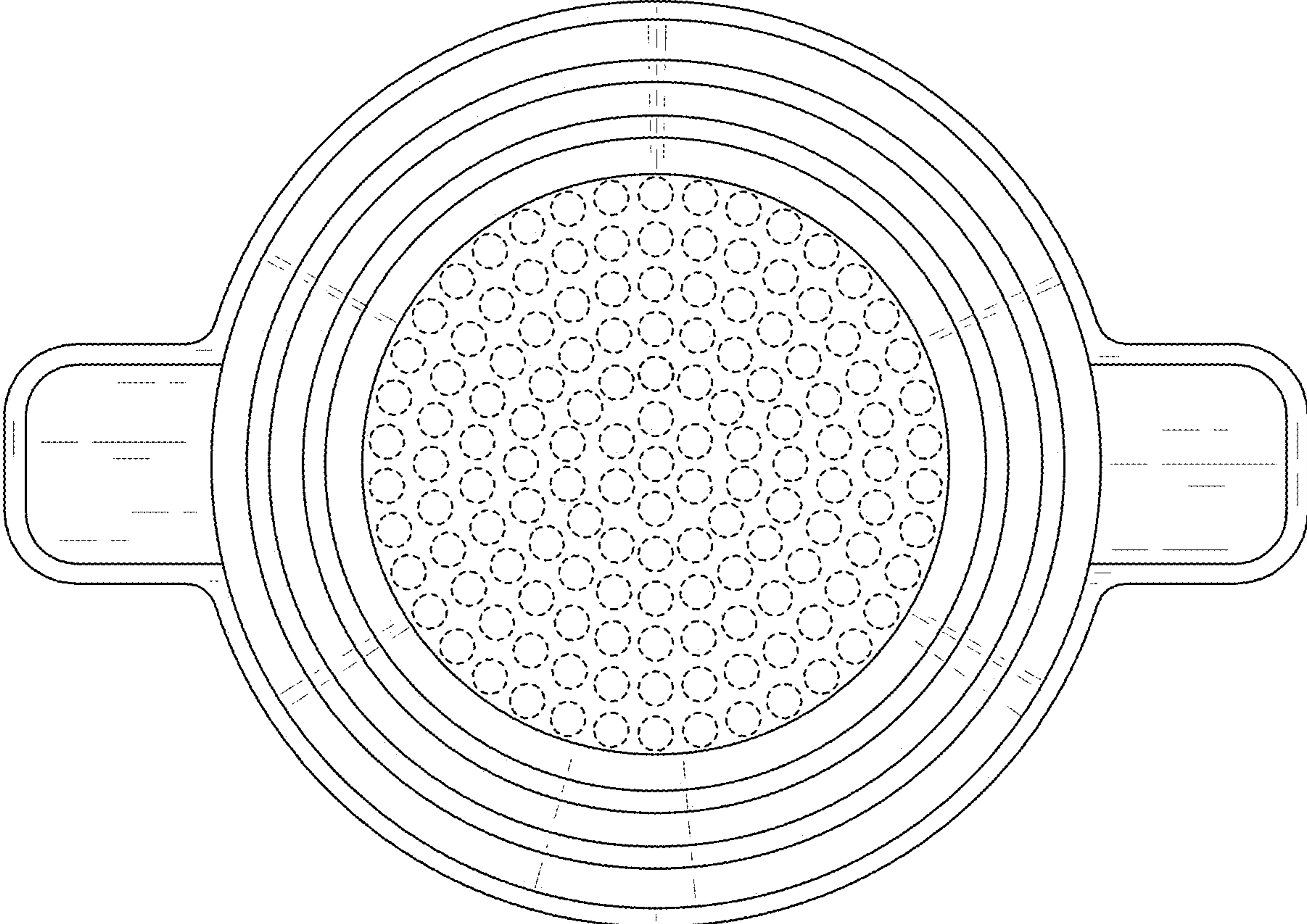


Fig. 4

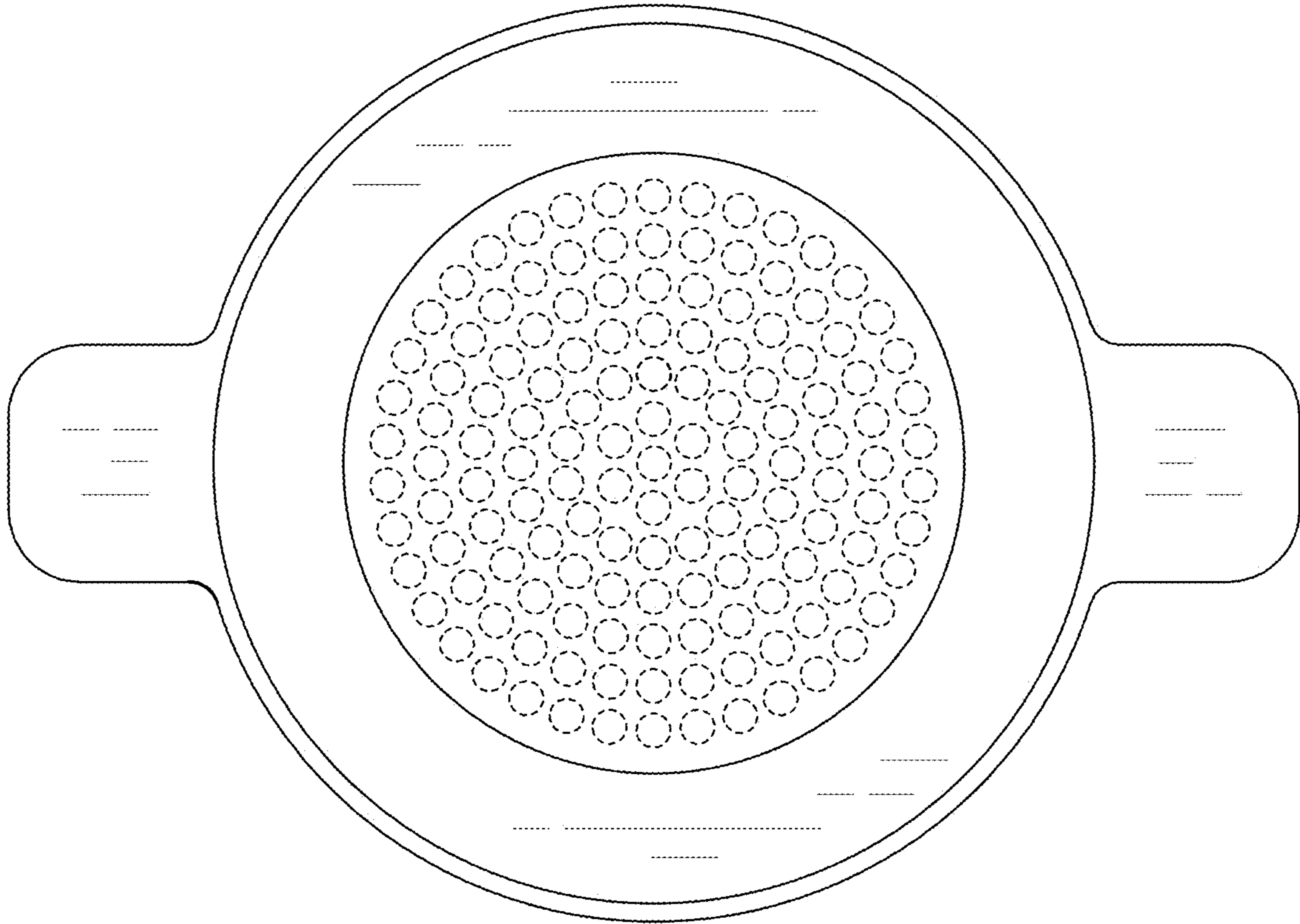


Fig. 5