



US00D917240S

(12) **United States Design Patent**
Seagren et al.

(10) **Patent No.:** **US D917,240 S**
(45) **Date of Patent:** **** Apr. 27, 2021**

- (54) **DIPPER SPOON**
- (71) Applicant: **MAPA GmbH**, Zeven (DE)
- (72) Inventors: **Kelly Elizabeth Seagren**, Kalamazoo, MI (US); **Melissa Sue Jacobson**, Kalamazoo, MI (US); **Austin Peter Laniosz**, Willowbrook, IL (US); **Lea Marie Stewart**, Kalamazoo, MI (US); **Alfredo David Carreno**, Portage, MI (US)
- (73) Assignee: **MAPA GMBH**, Zeven (DE)
- (**) Term: **15 Years**
- (21) Appl. No.: **29/706,719**
- (22) Filed: **Sep. 23, 2019**
- (51) **LOC (13) Cl.** **07-03**
- (52) **U.S. Cl.**
USPC **D7/653; D7/401.2**
- (58) **Field of Classification Search**
USPC D7/368, 401.2, 642-645, 653-664, 669, D7/675-677, 683, 688-689, 691; D8/107, 300-301; D21/525; D22/117-118; D24/133, 198, 223
CPC ... A01D 9/02; A01D 9/04; A01D 9/06; A47G 21/00; A47G 21/004; A47G 21/005; A47G 21/02; A47G 21/023; A47G 21/04; A47G 21/06; A47G 21/08; A47J 43/28; A47J 43/281; A47J 43/282; A61F 13/10; A61J 7/0023; A61J 17/001; A61J 17/107; B25G 1/00; B25G 1/01; B25G 1/02; B25G 3/00; B65D 75/56; B65D 75/563; B65D 75/566; B67B 7/00; B67B 7/724; B67B 7/73
See application file for complete search history.

- D491,420 S * 6/2004 Shibata D7/653
- D496,833 S * 10/2004 Lantz D7/653
- 7,029,491 B2 * 4/2006 Davis A61J 17/107
606/234
- D592,019 S * 5/2009 Holcomb D7/643
- 8,211,144 B2 * 7/2012 Rohrig A61J 17/107
606/235
- D695,361 S * 12/2013 Roehrig D21/525
- D707,307 S * 6/2014 Roehrig D21/525
- D790,929 S * 7/2017 Perez D7/653
- D799,280 S * 10/2017 Shalev D7/653
- D838,368 S * 1/2019 Rifani D24/133
- D869,679 S * 12/2019 Yang D24/223

* cited by examiner

Primary Examiner — Ricky Pham

(74) *Attorney, Agent, or Firm* — Eversheds Sutherland (US) LLP

(57) **CLAIM**

The ornamental design for a dipper spoon, as shown and described.

DESCRIPTION

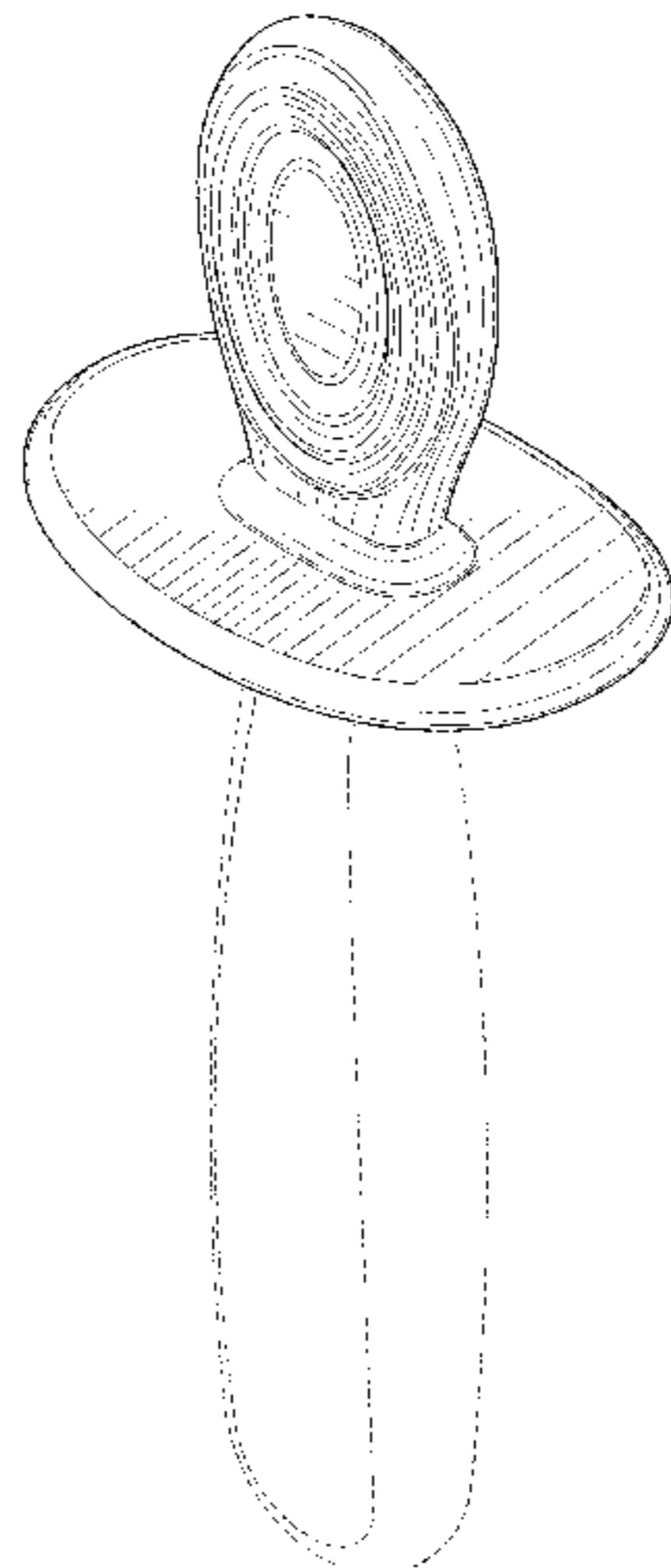
FIG. 1 is a perspective view of a dipper spoon showing our new design;
FIG. 2 is a front-side elevation view thereof;
FIG. 3 is a rear-side elevation view thereof;
FIG. 4 is a left-side elevation view thereof;
FIG. 5 is a right-side elevation view thereof;
FIG. 6 is a top plan view thereof;
FIG. 7 is a bottom plan view thereof; and,
FIG. 8 is a cross-sectional view taken through line 2-2 of FIG. 2 thereof.

The broken lines shown on the drawings depict portions of the dipper spoon that form no part of the claimed design. The dash-dot-dash lines define the bounds of the claimed design and form no part thereof.

1 Claim, 6 Drawing Sheets

(56) **References Cited**
U.S. PATENT DOCUMENTS

- D349,770 S * 8/1994 Jarnagin D24/198
- 5,620,462 A * 4/1997 Valenti A61J 17/001
606/234



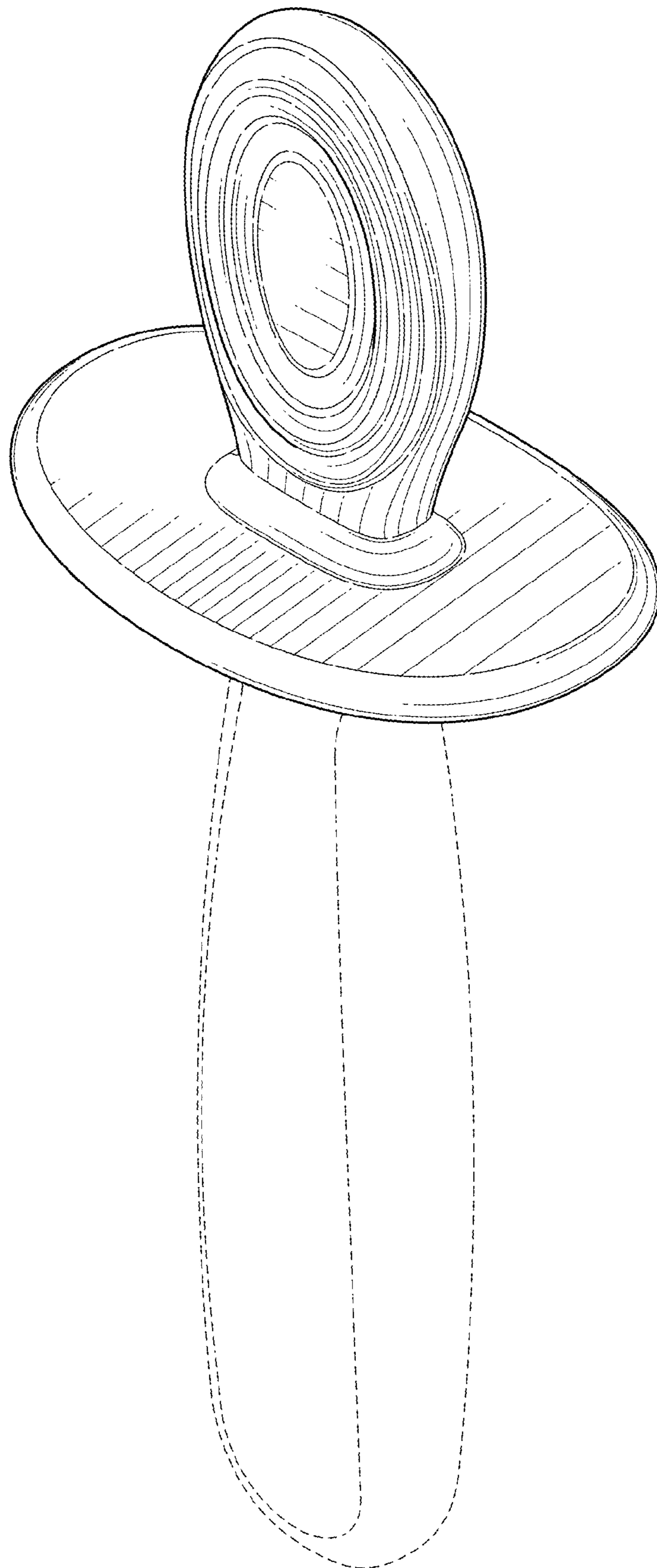


FIG. 1

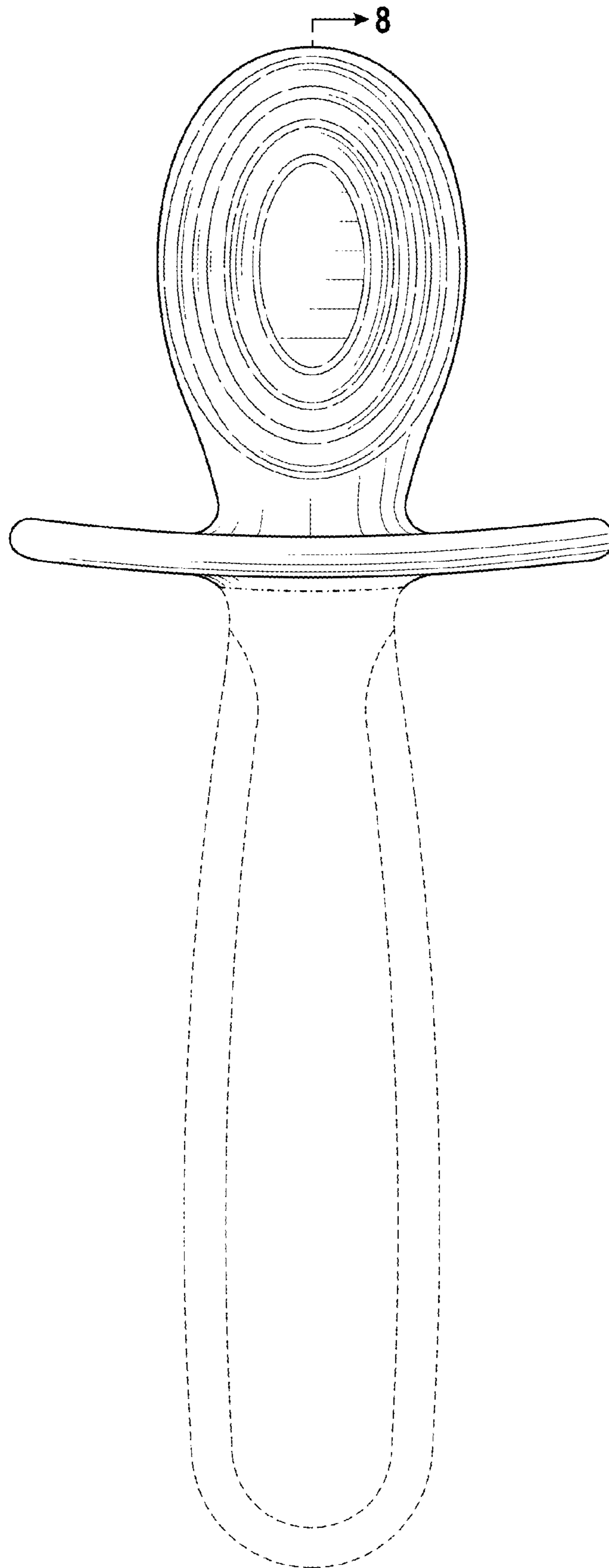


FIG. 2

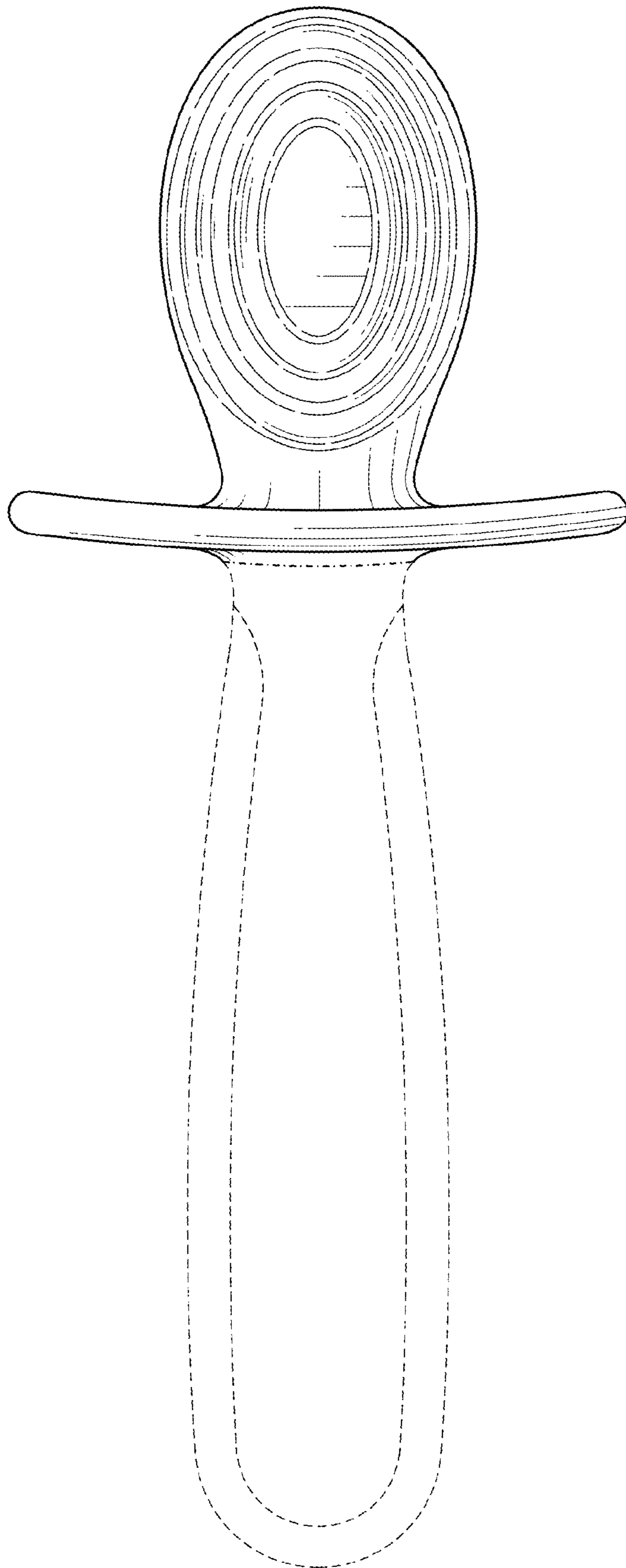


FIG. 3

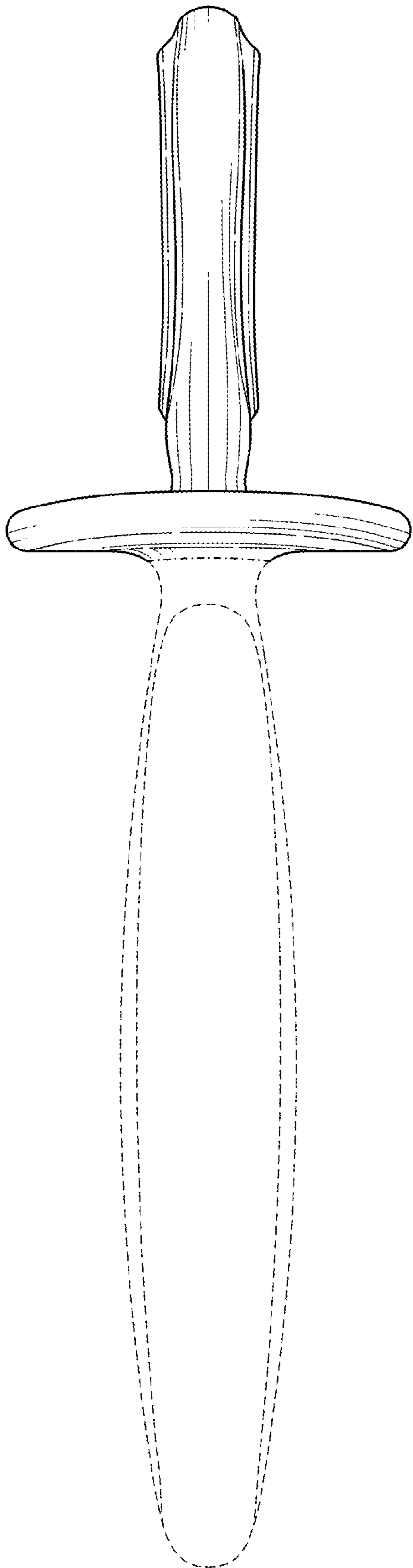


FIG. 4

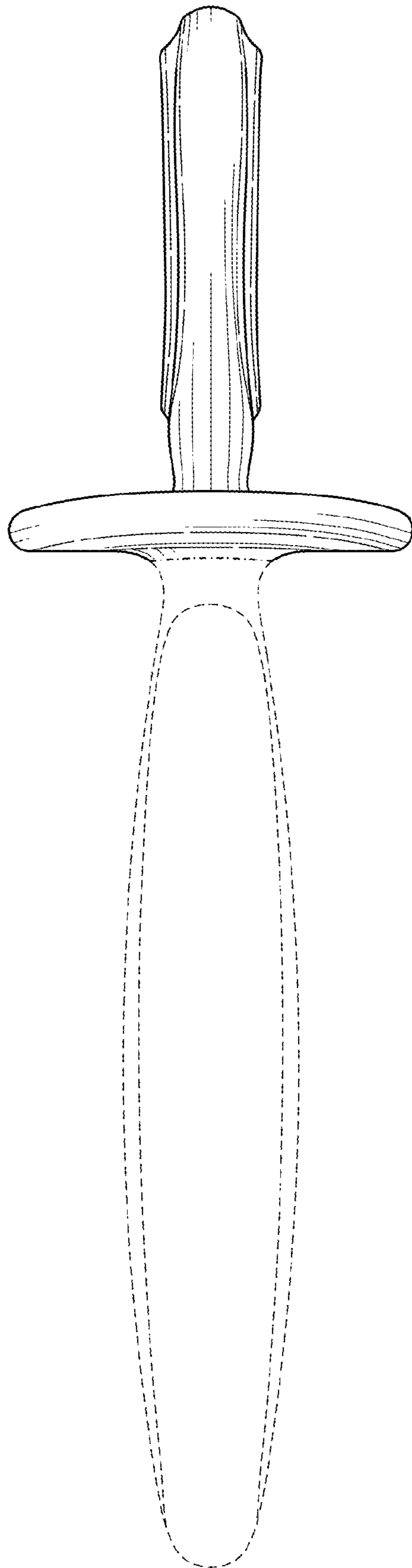


FIG. 5

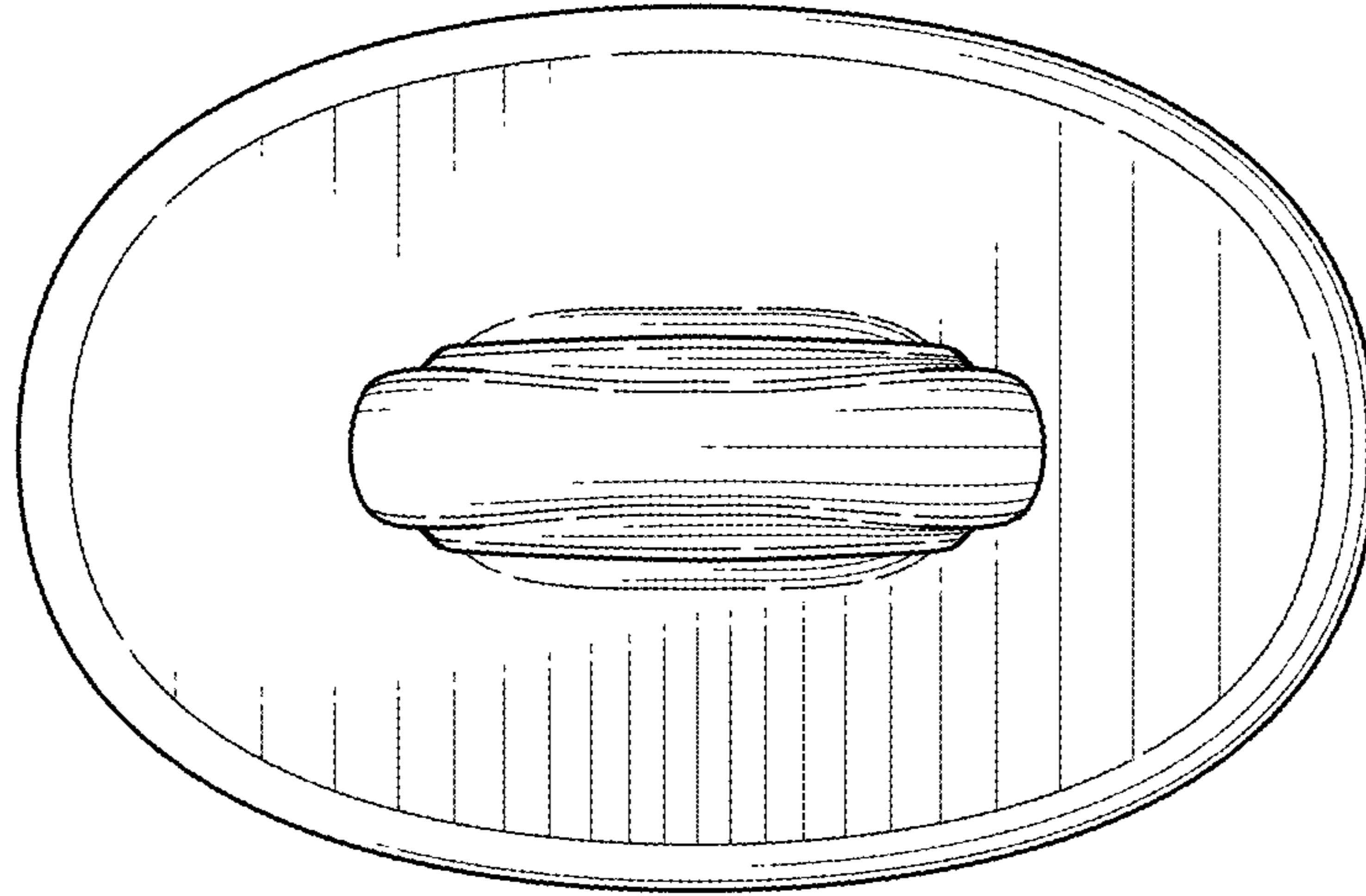


FIG. 6

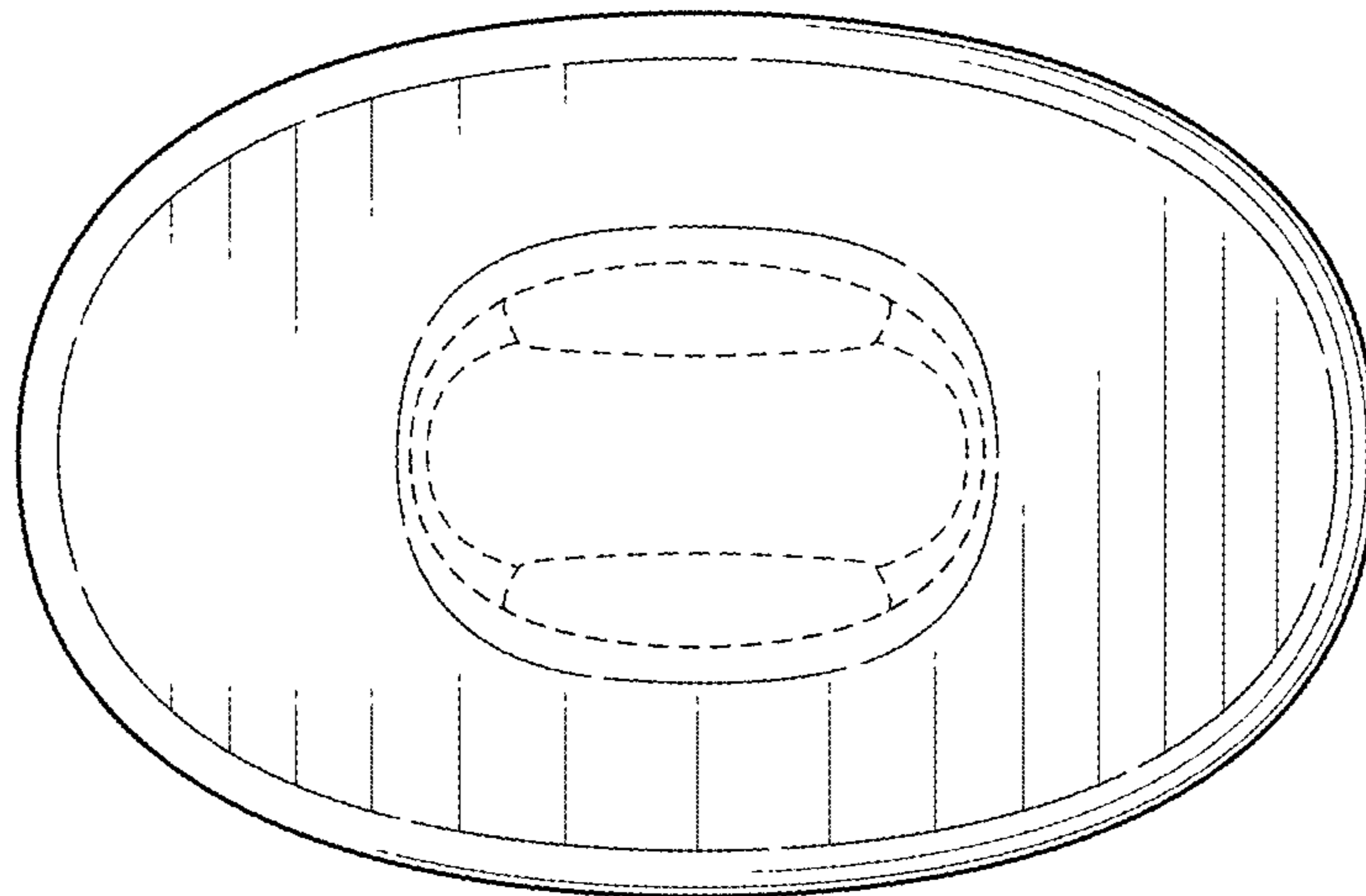


FIG. 7

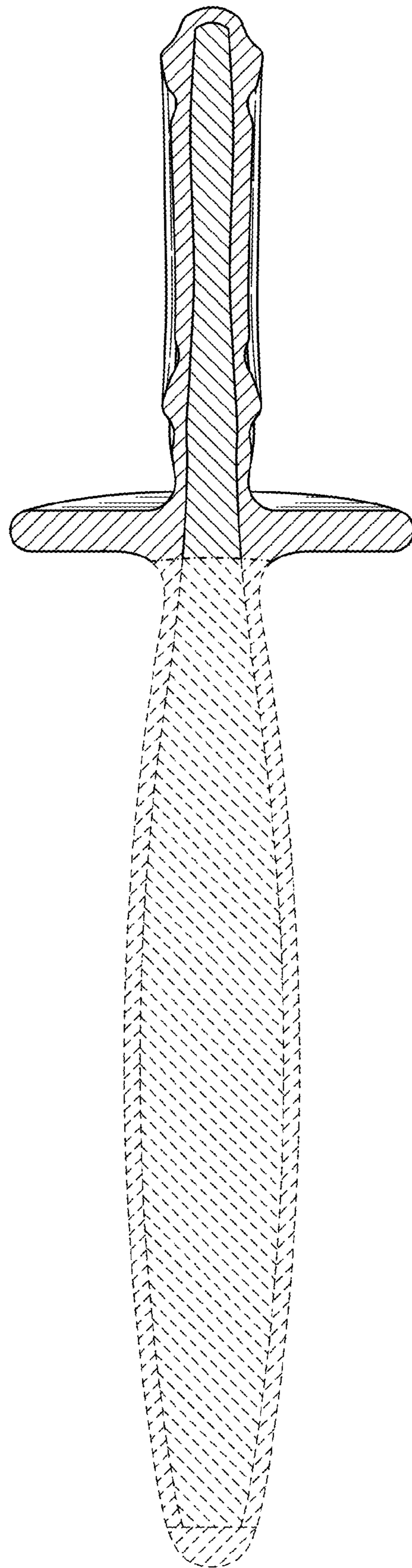


FIG. 8