



US00D917237S

(12) **United States Design Patent** (10) **Patent No.:** **US D917,237 S**  
**Bennett** (45) **Date of Patent:** **\*\* Apr. 27, 2021**

- (54) **FOOD STORAGE CONTAINER**
- (71) Applicant: **TUESDAY MORNING PARTNERS, LTD.**, Dallas, TX (US)
- (72) Inventor: **Timothy J. Bennett**, Colorado Springs, CO (US)
- (73) Assignee: **TUESDAY MORNING PARTNERS, LTD.**, Dallas, TX (US)
- (\*\*) Term: **15 Years**
- (21) Appl. No.: **29/695,728**
- (22) Filed: **Jun. 21, 2019**

- D210,311 S 2/1968 Newman
  - 3,470,944 A 10/1969 Segal
  - D216,271 S 12/1969 Swett et al.
  - 3,511,288 A 5/1970 Swett
  - 3,590,988 A 7/1971 Hollar
  - 3,645,758 A 2/1972 Macmanus
  - 3,737,068 A 6/1973 Bird
- (Continued)

**Related U.S. Application Data**

- (62) Division of application No. 29/542,913, filed on Oct. 19, 2015, now Pat. No. Des. 854,382.
- (51) **LOC (13) Cl.** ..... **07-07**
- (52) **U.S. Cl.**  
USPC ..... **D7/610**
- (58) **Field of Classification Search**  
USPC ..... D7/610, 602, 301, 368, 552.1, 554.2;  
D26/12, 10; 428/7; 431/295, 253, 296;  
206/457; 99/645  
CPC ..... F21V 35/00; A47G 19/26  
See application file for complete search history.

**References Cited**

**U.S. PATENT DOCUMENTS**

- D102,510 S 12/1936 Stallings et al.
- D116,149 S 8/1939 Sharlitt et al.
- D116,150 S 8/1939 Sharlitt et al.
- 2,178,274 A \* 10/1939 Ratner ..... A47G 19/02  
220/574
- 2,530,910 A 11/1950 Schnabel
- D170,561 S 10/1953 Tupper
- 3,026,997 A 3/1962 Bianchi, Jr.
- 3,066,824 A 12/1962 Bostrom

**OTHER PUBLICATIONS**

“2 in 1 Cake and Pie Carrier with Deviled Eggs Insert”, printed from [www.amazon.com/Cake-Carrier-Deviled-Insert-Atoll/dp/B00V3RRSGS](http://www.amazon.com/Cake-Carrier-Deviled-Insert-Atoll/dp/B00V3RRSGS), publicly available at least as early as Jul. 2, 2014 (10 pages).

(Continued)

*Primary Examiner* — Cynthia R Underwood

(74) *Attorney, Agent, or Firm* — Haynes and Boone, LLP

(57) **CLAIM**

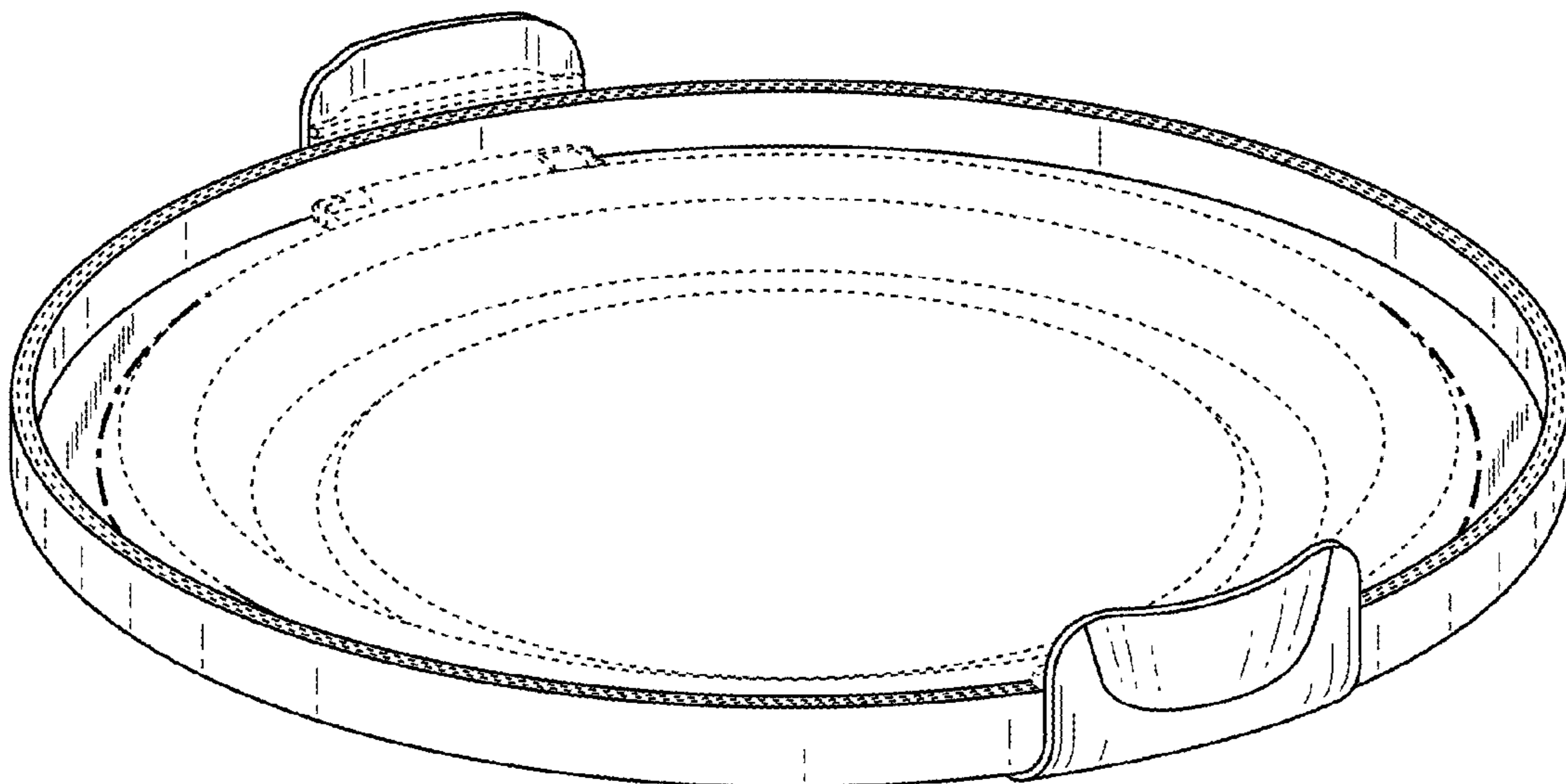
The ornamental design for a food storage container, as shown and described.

**DESCRIPTION**

FIG. 1 is a front perspective view of a food storage container showing my new design;  
FIG. 2 is a bottom perspective view thereof;  
FIG. 3 is a front view thereof, the review view being a mirror image of the front view;  
FIG. 4 is a right side view thereof, the left side view being a mirror image of the right side view;  
FIG. 5 is a top view thereof; and,  
FIG. 6 is a bottom view thereof.

The features shown in broken lines are portions of the food storage container or environmental subject matter to the food storage container forming no part of the claimed design. The features shown in long dash-short dash bolded broken lines indicate the bounds of the claimed design and otherwise form no part of the claimed design.

**1 Claim, 5 Drawing Sheets**



(56)

References Cited

U.S. PATENT DOCUMENTS

3,940,010 A \* 2/1976 Sears ..... A47G 19/02  
220/23.86  
3,989,158 A \* 11/1976 Florian ..... A47G 19/2283  
220/23.83  
D250,565 S \* 12/1978 Stowell ..... D7/543  
D254,166 S 2/1980 Christian  
4,360,118 A 11/1982 Stern  
D314,119 S \* 1/1991 Kauffman ..... D7/505  
5,158,202 A \* 10/1992 Kosonen ..... A47G 19/02  
220/574  
D365,498 S \* 12/1995 Lillelund ..... D7/505  
5,485,937 A \* 1/1996 Tseng ..... A47G 19/02  
220/571  
D379,134 S \* 5/1997 Joergensen ..... D7/543  
D385,462 S \* 10/1997 Ferris ..... D7/543  
D390,752 S \* 2/1998 DeCoster ..... D7/505  
D391,850 S 3/1998 Krupa et al.  
D415,420 S 10/1999 Chen  
D417,584 S \* 12/1999 Lillelund ..... D7/392.1  
D452,417 S \* 12/2001 Whitmore ..... D7/543  
D473,752 S \* 4/2003 Kerr ..... D7/316  
D500,937 S \* 1/2005 Bravard ..... D7/543  
D505,596 S 5/2005 Tucker et al.  
D508,378 S 8/2005 Bertulis  
D512,604 S \* 12/2005 Panepinto ..... D7/505  
D512,872 S \* 12/2005 McMahon, III ..... D7/392  
D522,813 S 6/2006 Swinford et al.  
D524,153 S 7/2006 Reinhard  
D564,138 S \* 3/2008 Dunn ..... D30/129  
D572,539 S 7/2008 Swinford et al.  
D609,979 S 2/2010 Soibel et al.  
D612,196 S \* 3/2010 Furlong ..... D7/392.1  
D613,127 S \* 4/2010 Olivari ..... D7/543  
D614,453 S 4/2010 Curtin et al.  
D627,607 S 11/2010 Roth et al.  
D628,021 S 11/2010 Curtin  
D630,061 S \* 1/2011 Kellermann ..... D7/545  
D639,107 S 6/2011 Barber  
D653,906 S 2/2012 Bull et al.  
D653,910 S \* 2/2012 Stamper ..... D7/543  
D656,793 S \* 4/2012 Mastroianni ..... D7/587  
D658,012 S 4/2012 Dagan et al.  
D678,730 S 3/2013 Stewart  
D682,045 S 5/2013 Myoung  
D682,046 S 5/2013 Myoung  
D682,047 S 5/2013 Myoung  
D692,272 S \* 10/2013 Montgomery ..... D7/396.1  
D699,081 S 2/2014 Dagan et al.  
D708,912 S 7/2014 Decraim  
8,857,209 B2 10/2014 Wang  
D722,251 S \* 2/2015 Morga ..... D7/500  
D732,891 S \* 6/2015 Bonilla ..... D30/129  
D749,908 S \* 2/2016 Cai ..... D7/543  
D763,625 S \* 8/2016 Wright ..... D7/545  
D796,269 S \* 9/2017 Grepper ..... D7/586  
D805,836 S \* 12/2017 Yessin ..... D7/391  
D816,417 S \* 5/2018 Hutton ..... D7/565  
D823,063 S \* 7/2018 Guo ..... D7/552.1  
D823,642 S \* 7/2018 Ribeiro-Ramalhosa ..... D7/543

10,311,748 B2 \* 6/2019 Highet ..... G09B 19/0092  
10,325,515 B2 \* 6/2019 Highet ..... A47G 19/025  
D869,239 S \* 12/2019 Wands ..... D7/543  
2005/0127073 A1 \* 6/2005 Kusuma ..... B65D 21/086  
220/6  
2009/0159069 A1 \* 6/2009 Choi ..... A47G 19/027  
126/263.01

OTHER PUBLICATIONS

“Andrew James Cup Cake Holder”, printed from [www.ebay.co.uk/itm/Andrew-James-Cupcake-Holder-Cake-Carrier-Container-Storage-Box-Caddy-Holds-24-/390953988832](http://www.ebay.co.uk/itm/Andrew-James-Cupcake-Holder-Cake-Carrier-Container-Storage-Box-Caddy-Holds-24-/390953988832), publicly available at least as early as Jul. 27, 2015 (15 pages).  
“Pie Carrier”, printed from [www.bedbathandbeyond.com/1/1/278430-pie-carrier.html](http://www.bedbathandbeyond.com/1/1/278430-pie-carrier.html), publicly available at least as early as Oct. 19, 2015, per <http://web.archive.org> (4 pages).  
“Pie Carrier, 9 inches”, printed from [www.chefscatalog.com/product/24639-round-pie-carrier-9-inch.aspx](http://www.chefscatalog.com/product/24639-round-pie-carrier-9-inch.aspx), publicly available at least as early as Jan. 6, 2008 (3 pages).  
“Prepworks from Progressive BCC-1AZ Collapsible Cupcake and Cake Carrier”, printed from [www.amazon.com/Progressive-International-Collapsible-Cupcake-Cake-Carrier-Set-24-Count-Set/dp/B0039MDTDG/ref=sim\\_sbs\\_79\\_1?ie=UTF8&refRID=1R3Z4EGXQNF4ZGRT4D3](http://www.amazon.com/Progressive-International-Collapsible-Cupcake-Cake-Carrier-Set-24-Count-Set/dp/B0039MDTDG/ref=sim_sbs_79_1?ie=UTF8&refRID=1R3Z4EGXQNF4ZGRT4D3), publicly available at least as early as Jan. 16, 2014 (12 pages).  
“Red Lock & Lock 2 Piece Glass Pie and Storage Set”, printed from [www.ebay.com/itm/K37573-172-RED-LOCK-LOCK-2-PIECE-GLASS-PIE-AND-STORAGE-SET-/361409160856?hash=item5425aa2698:g:3a0AAOxyQj9RSfEp](http://www.ebay.com/itm/K37573-172-RED-LOCK-LOCK-2-PIECE-GLASS-PIE-AND-STORAGE-SET-/361409160856?hash=item5425aa2698:g:3a0AAOxyQj9RSfEp), publicly available at least as early as Jul. 24, 2015 (3 pages).  
“Collapsible Pie Carrier”, printed from <http://bakingbites.com/2011/01/collapsible-pie-carrier/>, posted on Jan. 6, 2011 (4 pages).  
“Pyrex Corning Pie Plate and Pie Keeper with Original Box”, printed from [www.ebay.com/itm/PYREX-CORNING-PIE-PLATE-AND-PIE-KEEPER-with-ORIGINAL-BOX-/391186070640](http://www.ebay.com/itm/PYREX-CORNING-PIE-PLATE-AND-PIE-KEEPER-with-ORIGINAL-BOX-/391186070640), publicly available at least as early as Jul. 20, 2015 (2 pages).  
“Tupperware Pie Stackable—Works with Cake Taker”, printed from [www.amazon.com/Tupperware-Pie-Stackable-Works-Taker/dp/B0039MDTDG/ref=sim\\_sbs\\_79\\_1?ie=UTF8&refRID=1R3Z4EGXQNF4ZGRT4D3](http://www.amazon.com/Tupperware-Pie-Stackable-Works-Taker/dp/B0039MDTDG/ref=sim_sbs_79_1?ie=UTF8&refRID=1R3Z4EGXQNF4ZGRT4D3), publicly available at least as early as Jul. 27, 2015 (4 pages).  
“Starplast Pie Carrier”, printed from [www.bedbathandbeyond.com/store/product/starplast-pie-carrier/1014383824](http://www.bedbathandbeyond.com/store/product/starplast-pie-carrier/1014383824), publicly available at least as early as Oct. 29, 2014, per <http://web.archive.org> (2 pages).  
Rabanal, Jane, “Plate Topper Kitchen Accessory”, printed from [www.coroflot.com/janerabanal/tasting](http://www.coroflot.com/janerabanal/tasting), publicly available at least as early as Aug. 19, 2015 (6 page).  
Office Action dated May 24, 2018 in U.S. Appl. No. 29/542,913, 10 pgs.  
Final Office Action dated Dec. 6, 2018 in U.S. Appl. No. 29/542,913, 9 pgs.  
Notice of Allowance dated Feb. 27, 2019 in U.S. Appl. No. 29/542,913, 13 pgs.

\* cited by examiner

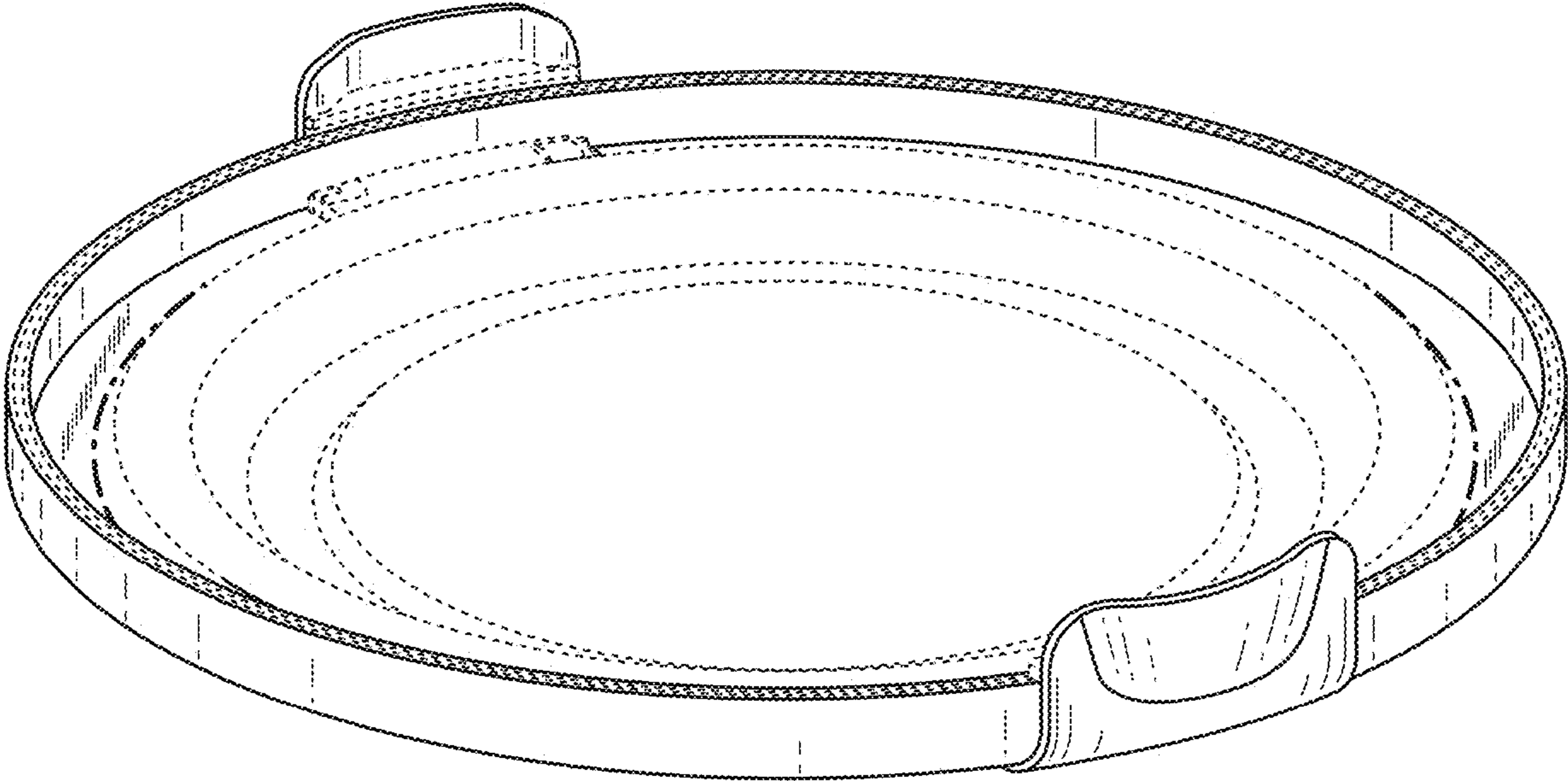


FIG. 1

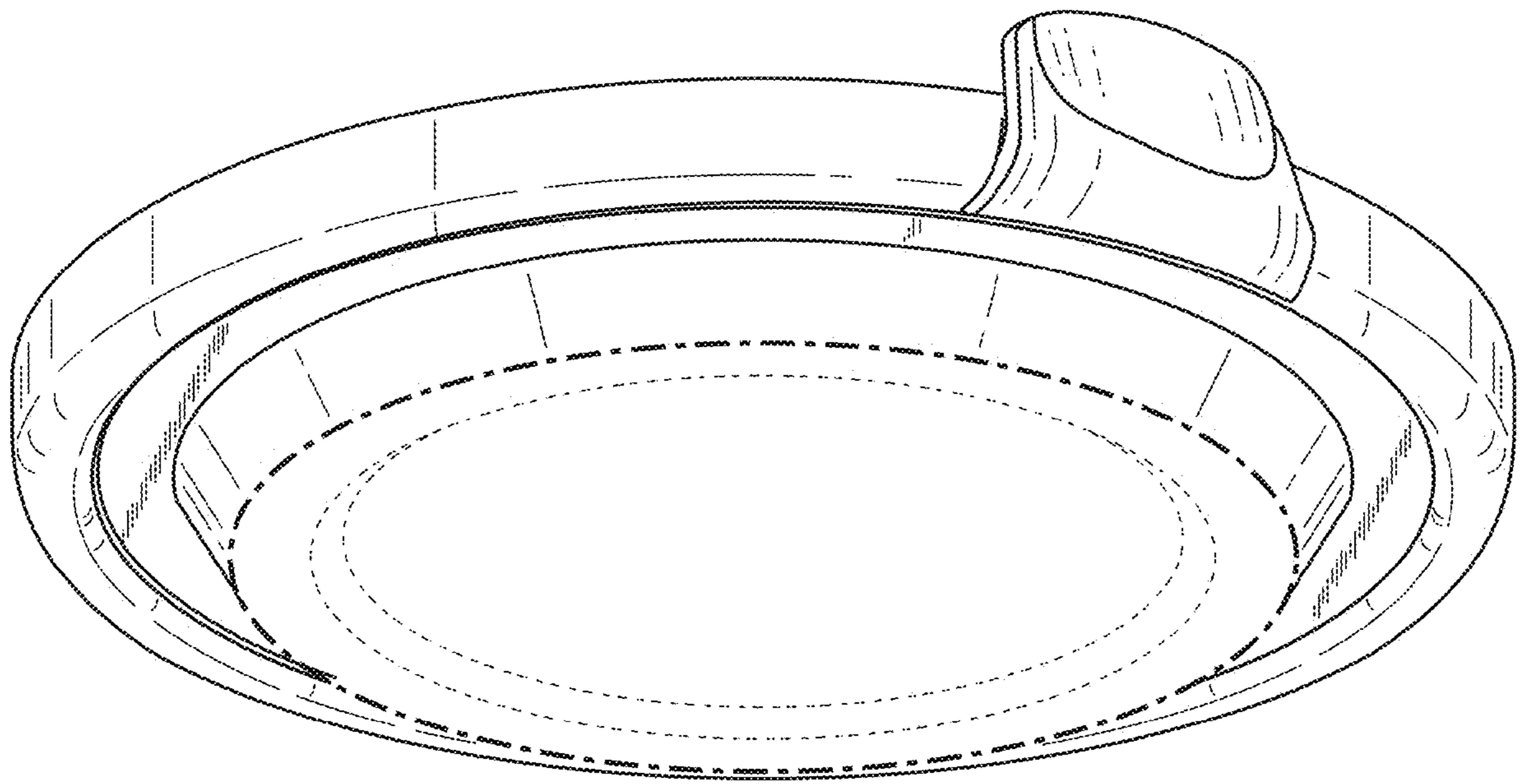


FIG. 2

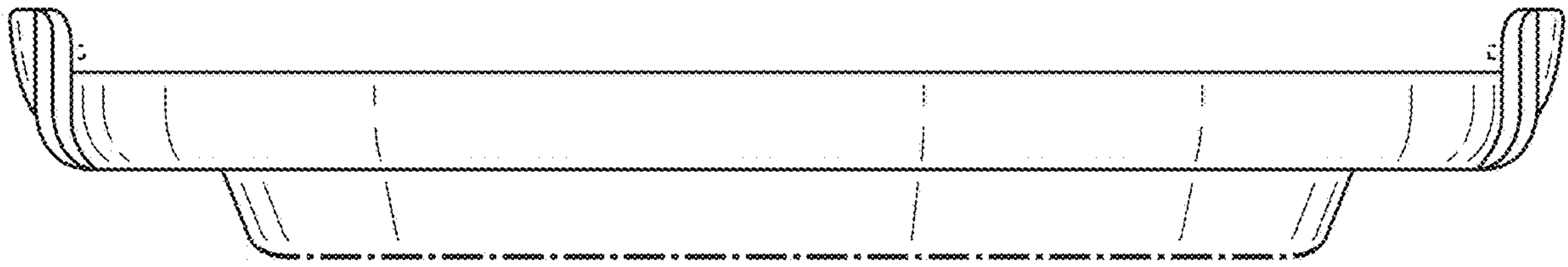


FIG. 3

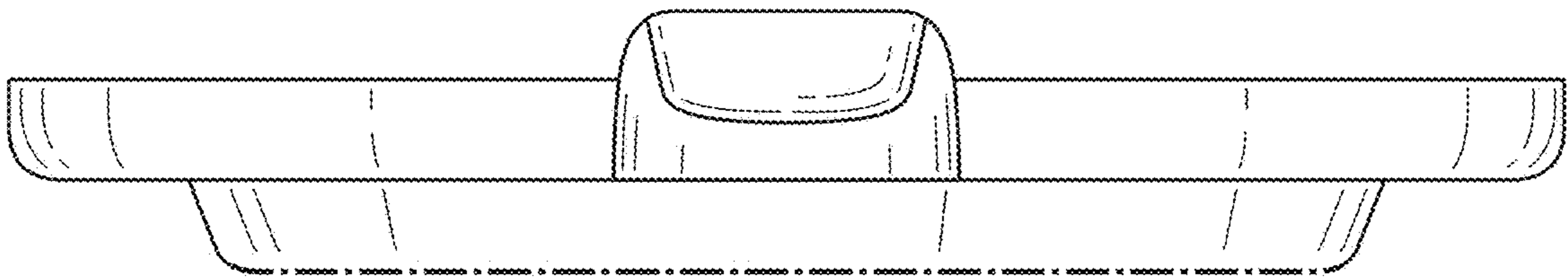


FIG. 4



FIG. 5

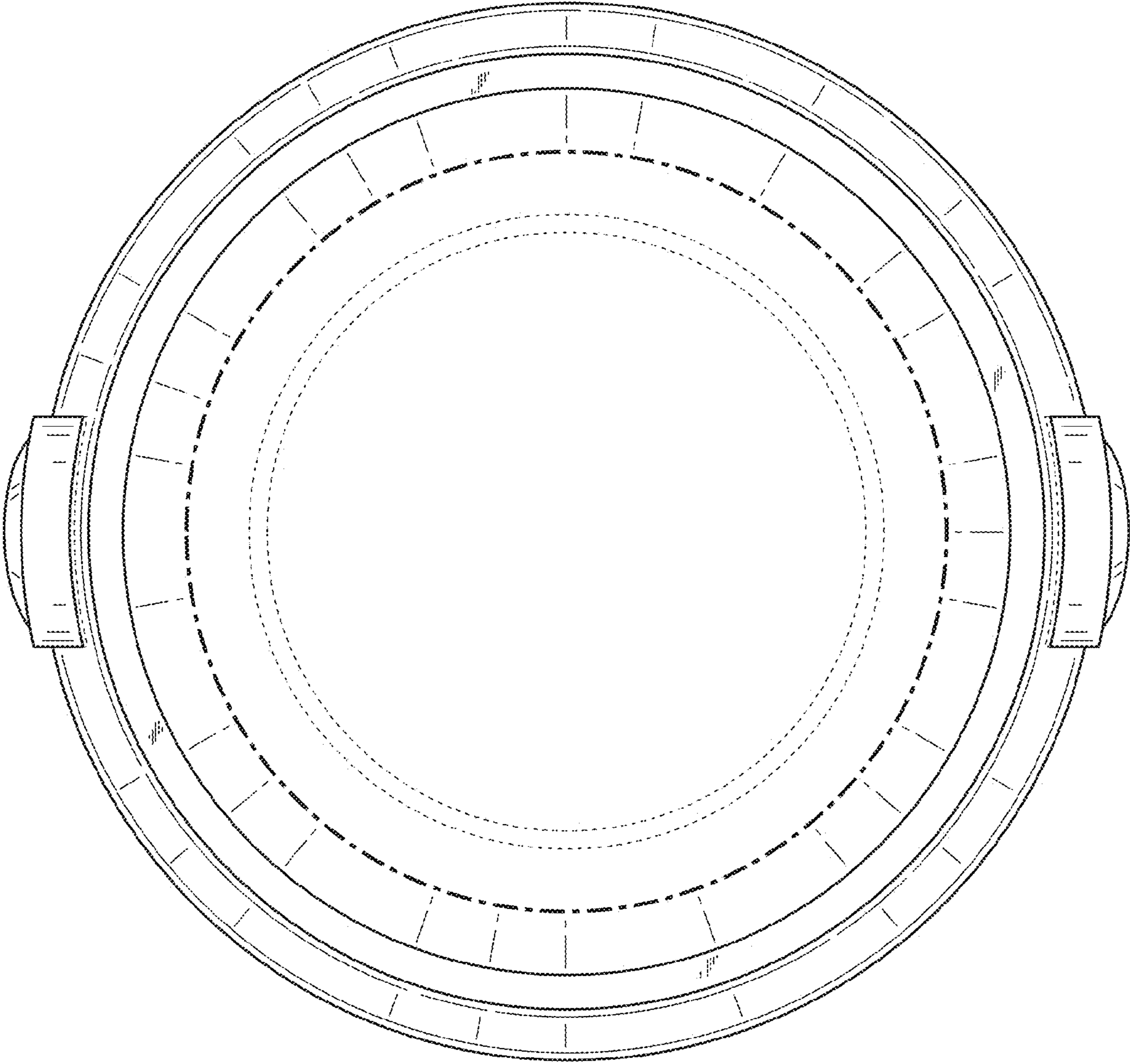


FIG. 6