



US00D917236S

(12) **United States Design Patent** (10) **Patent No.:** **US D917,236 S**
Jones (45) **Date of Patent:** **** Apr. 27, 2021**

- (54) **DECORATIVE CAKE SHIELD**
- (71) Applicant: **Angela Jones**, Riverview, FL (US)
- (72) Inventor: **Angela Jones**, Riverview, FL (US)
- (**) Term: **15 Years**
- (21) Appl. No.: **29/679,271**
- (22) Filed: **Feb. 4, 2019**

D625,565	S	*	10/2010	Alford	D7/610
D627,190	S	*	11/2010	Fain	D7/368
D627,191	S		11/2010	Fain		
D666,457	S	*	9/2012	Logan	D7/505
D713,694	S	*	9/2014	Fitzpatrick	D7/610
9,027,277	B2		5/2015	Castleberry		
D733,502	S	*	7/2015	Hill	D7/610
D805,849	S	*	12/2017	Logan	D7/558
2003/0129559	A1		7/2003	Wolter		
2003/0136277	A1		7/2003	Okros		
2004/0224271	A1		11/2004	Langsam		
2006/0000741	A1		1/2006	Flanagan		
2006/0048652	A1		3/2006	Ahn		

(Continued)

Related U.S. Application Data

- (63) Continuation-in-part of application No. 14/172,999, filed on Feb. 5, 2014, now abandoned.
- (51) **LOC (13) Cl.** **07-07**
- (52) **U.S. Cl.**
USPC **D7/610**
- (58) **Field of Classification Search**
USPC D7/610, 602, 301, 368; D26/12, 10;
428/7; 431/295, 253, 296; 206/457;
99/645
CPC F21V 35/00; A47G 19/26
See application file for complete search history.

FOREIGN PATENT DOCUMENTS

GB 2197453 B 10/1990

Primary Examiner — Cynthia R Underwood

(74) *Attorney, Agent, or Firm* — Boudwin Intellectual Property; Daniel Boudwin

(57) **CLAIM**

The ornamental design for a decorative cake shield, as shown and described.

DESCRIPTION

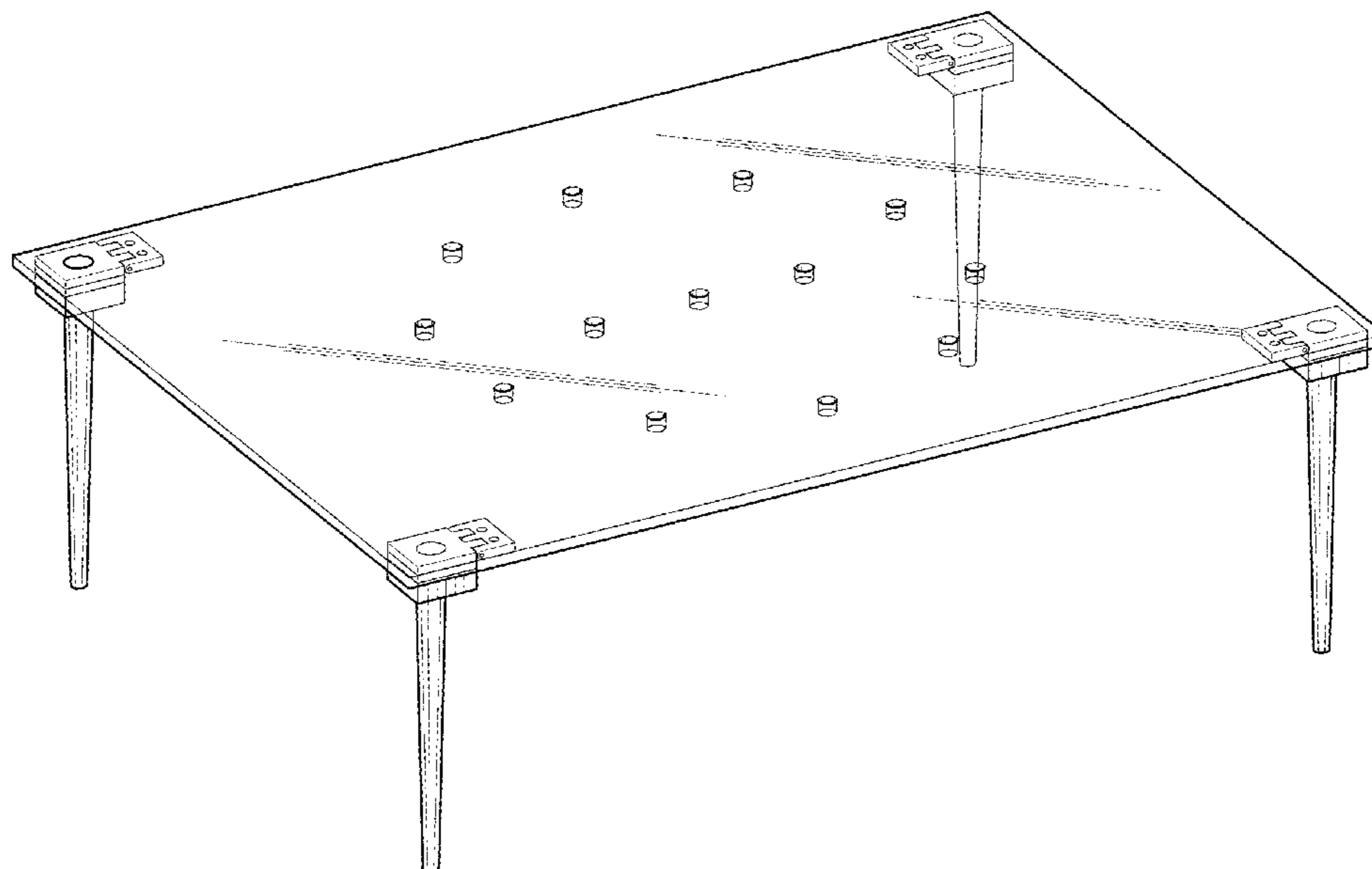
FIG. 1 shows a perspective view of a decorative cake shield; FIG. 2 shows a top plan view of the decorative cake shield; FIG. 3 shows a bottom plan view of the decorative cake shield; FIG. 4 shows a front view of the decorative cake shield; FIG. 5 shows a rear view of the decorative cake shield; FIG. 6 shows a right side view of the decorative cake shield; and, FIG. 7 shows a left side view of the decorative cake shield. The shade lines in the Figures show contour and not surface ornamentation.

(56) **References Cited**

U.S. PATENT DOCUMENTS

1,707,539	A	4/1929	Louis		
2,811,030	A	10/1957	Tannahill		
2,960,770	A	* 11/1960	Valenta	F21V 35/00 33/1 F
4,544,351	A	10/1985	Marsicano		
4,721,455	A	1/1988	Barfus		
D298,859	S	* 12/1988	Crisci	D11/184
4,884,966	A	* 12/1989	Wexler	A47G 19/26 431/295
4,938,688	A	* 7/1990	Wexler	A47G 19/26 312/284
5,509,361	A	4/1996	Chen		
5,941,181	A	8/1999	Hornberger et al.		

1 Claim, 5 Drawing Sheets



(56)

References Cited

U.S. PATENT DOCUMENTS

2006/0078838	A1	4/2006	McLemore	
2006/0130769	A1	6/2006	Nichols	
2007/0048680	A1	3/2007	Cartledge et al.	
2008/0268392	A1	10/2008	Bern	
2008/0272019	A1	11/2008	Miller	
2009/0053663	A1	2/2009	Okros	
2009/0114127	A1	5/2009	Wright	
2009/0181335	A1*	7/2009	Tropeano	F21V 35/00 431/253
2011/0061573	A1	3/2011	Wright	
2012/0167784	A1	7/2012	Zeigler et al.	
2012/0247996	A1	10/2012	Donnelly	
2014/0096444	A1	4/2014	Castleberry	
2014/0190371	A1	7/2014	Woog	

* cited by examiner

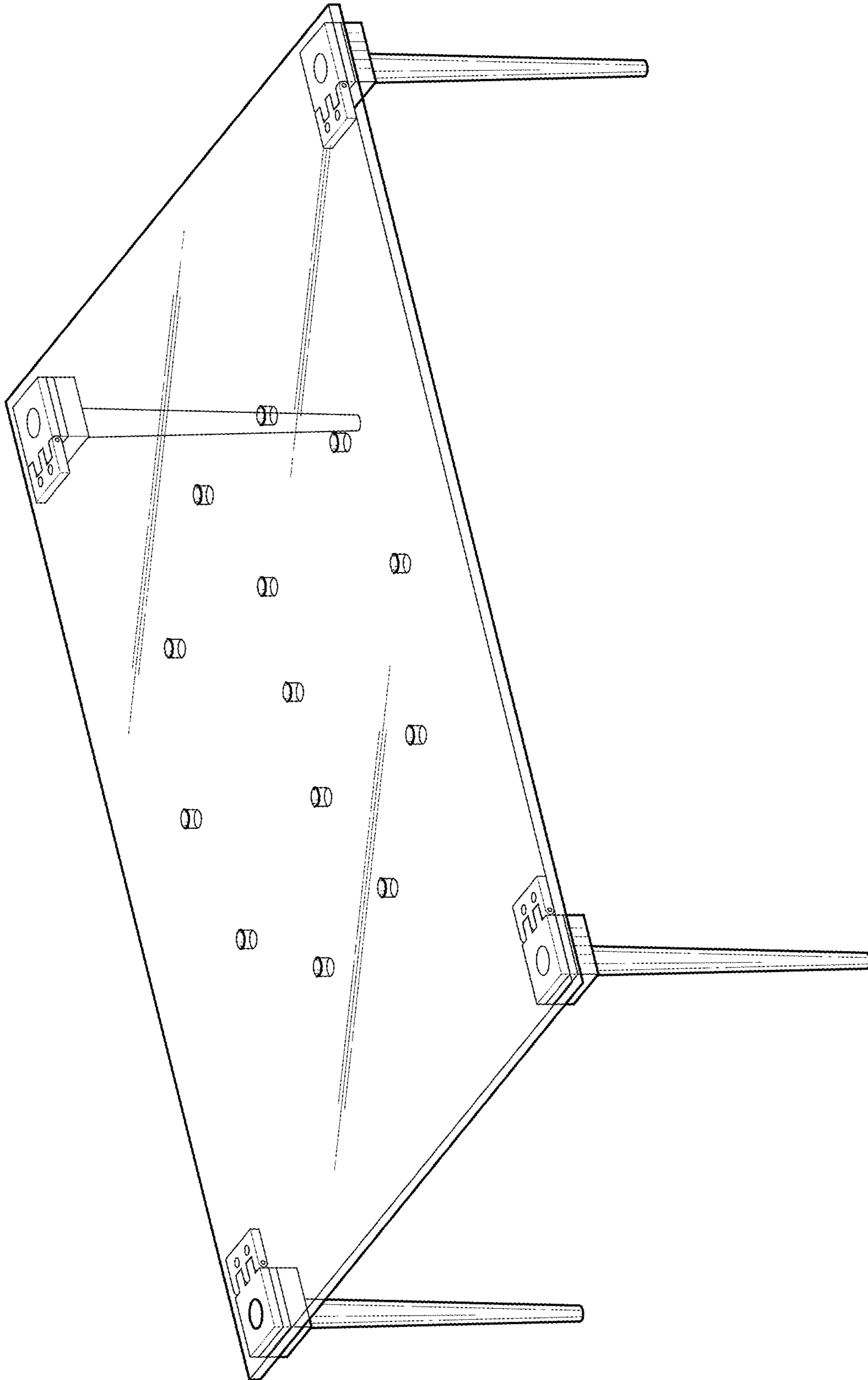


FIG. 1

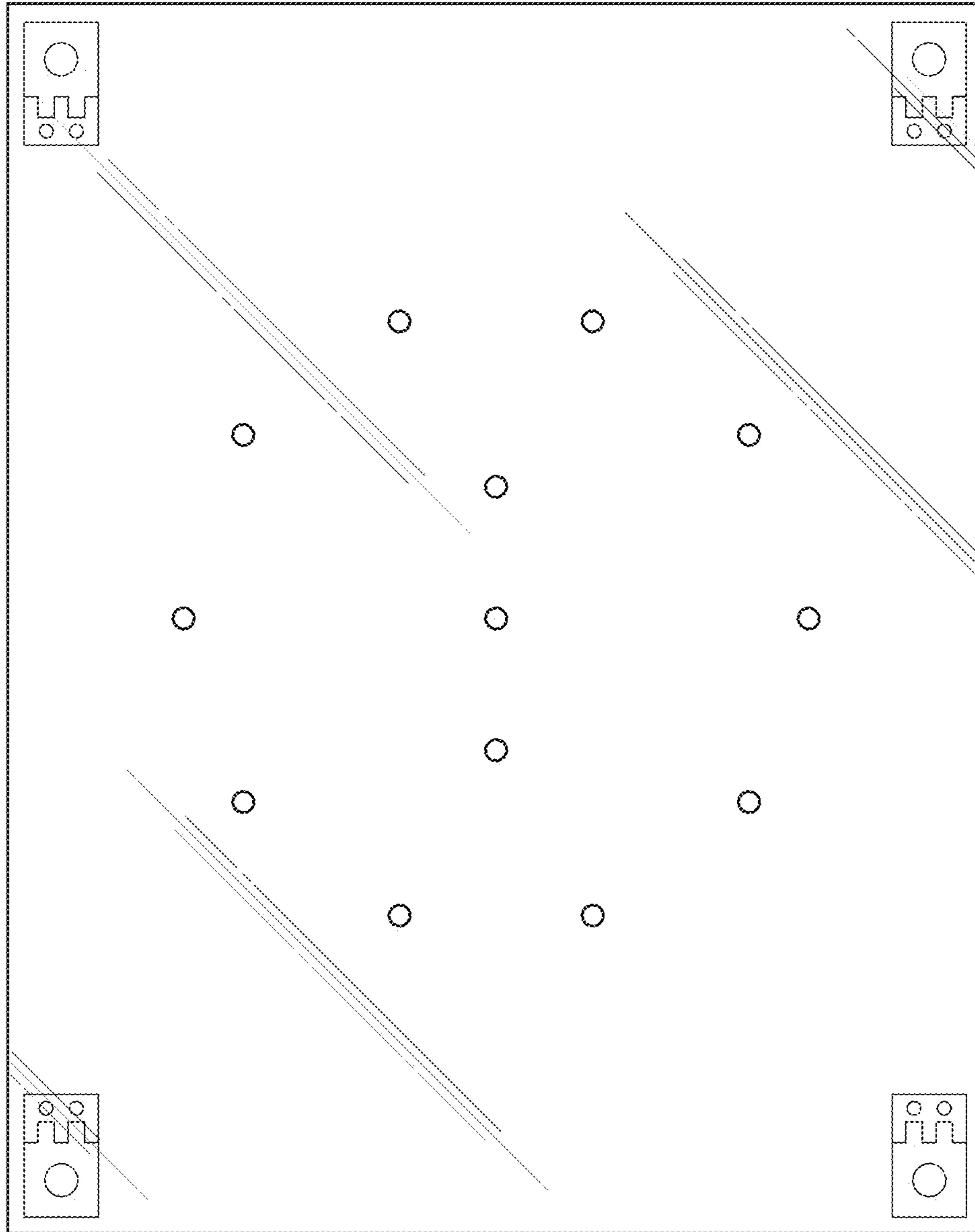


FIG. 2

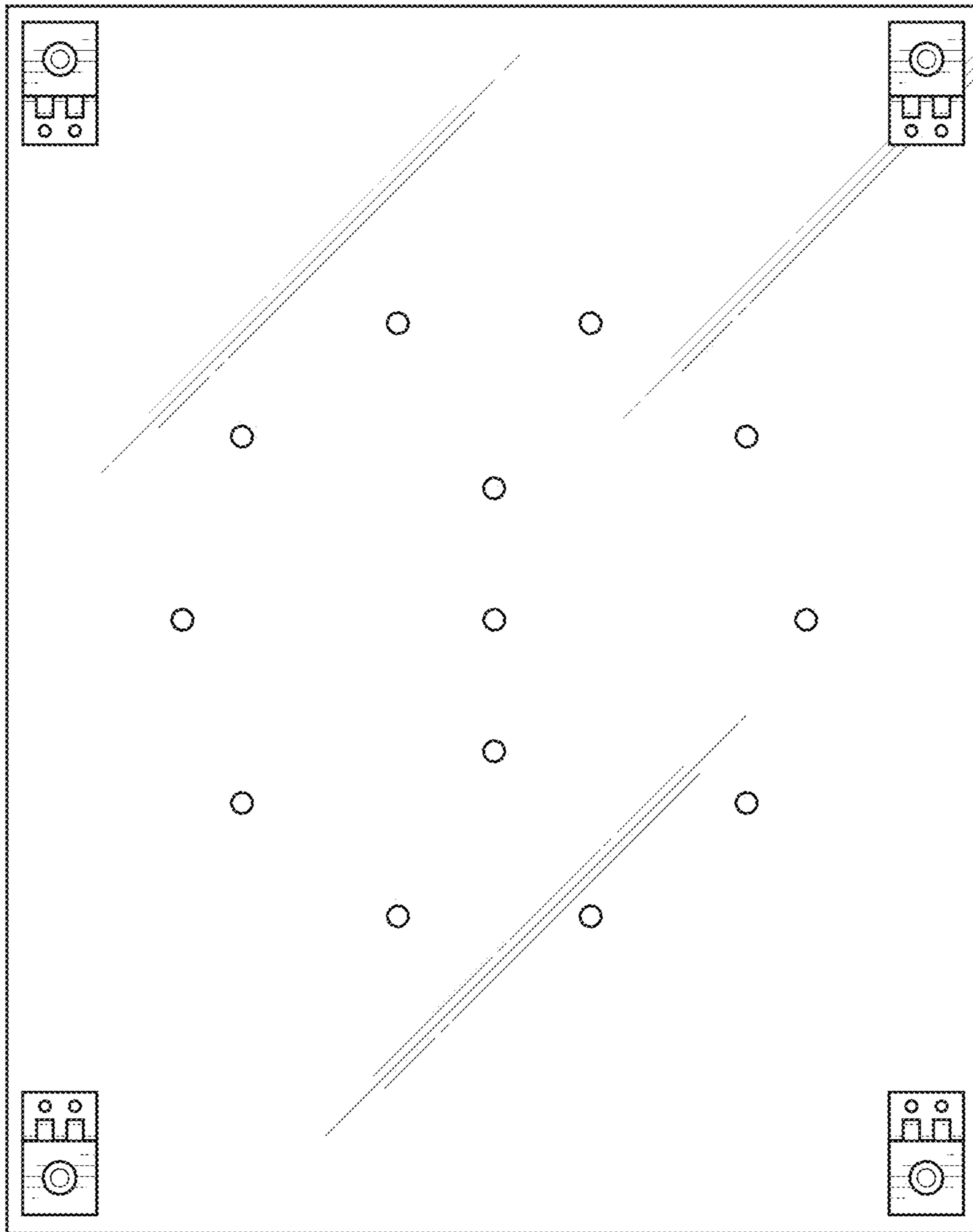


FIG. 3

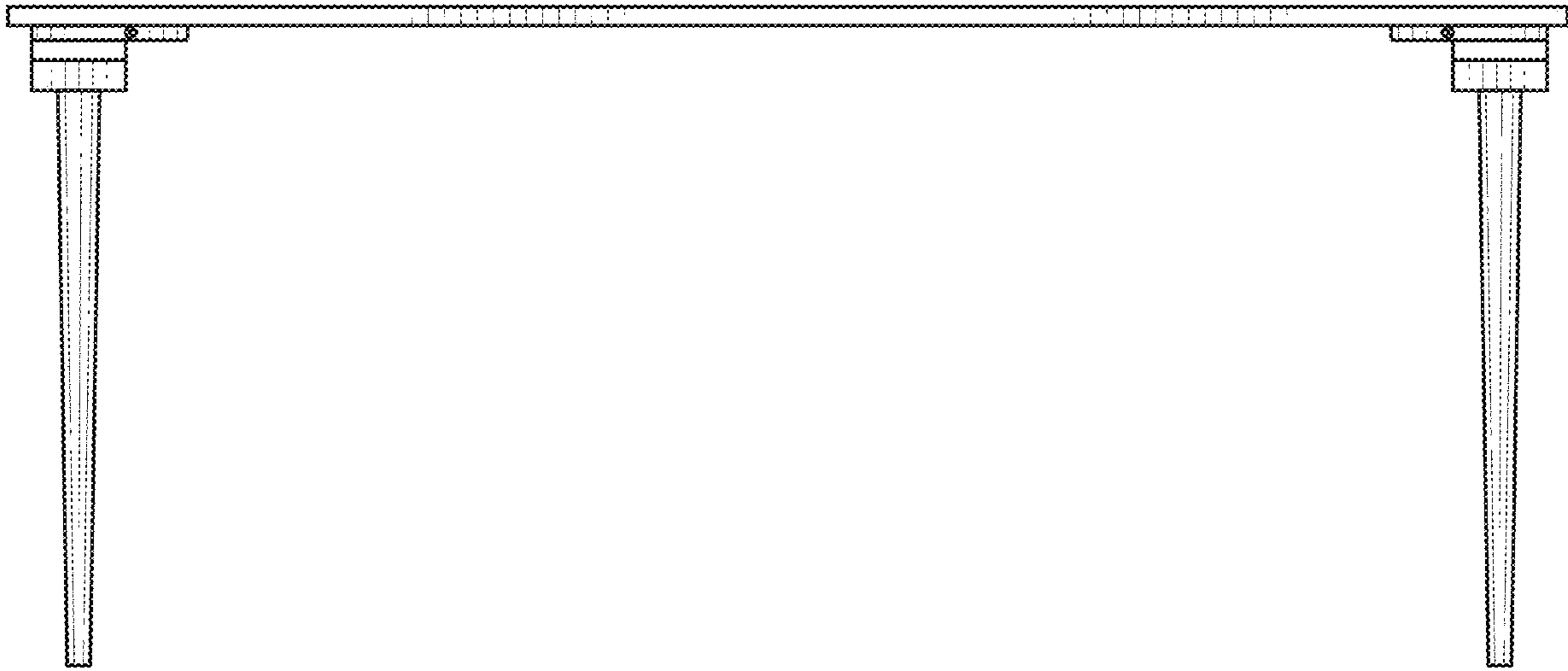


FIG. 4

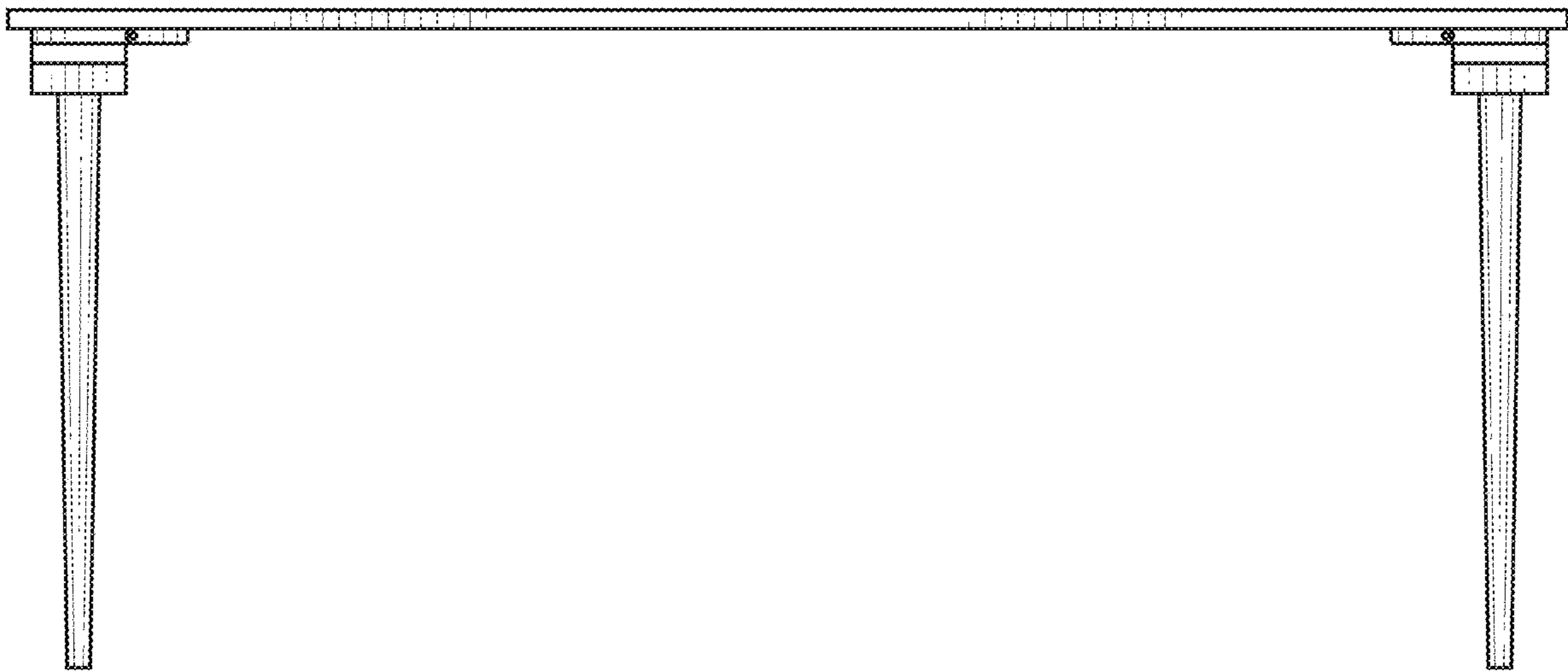


FIG. 5

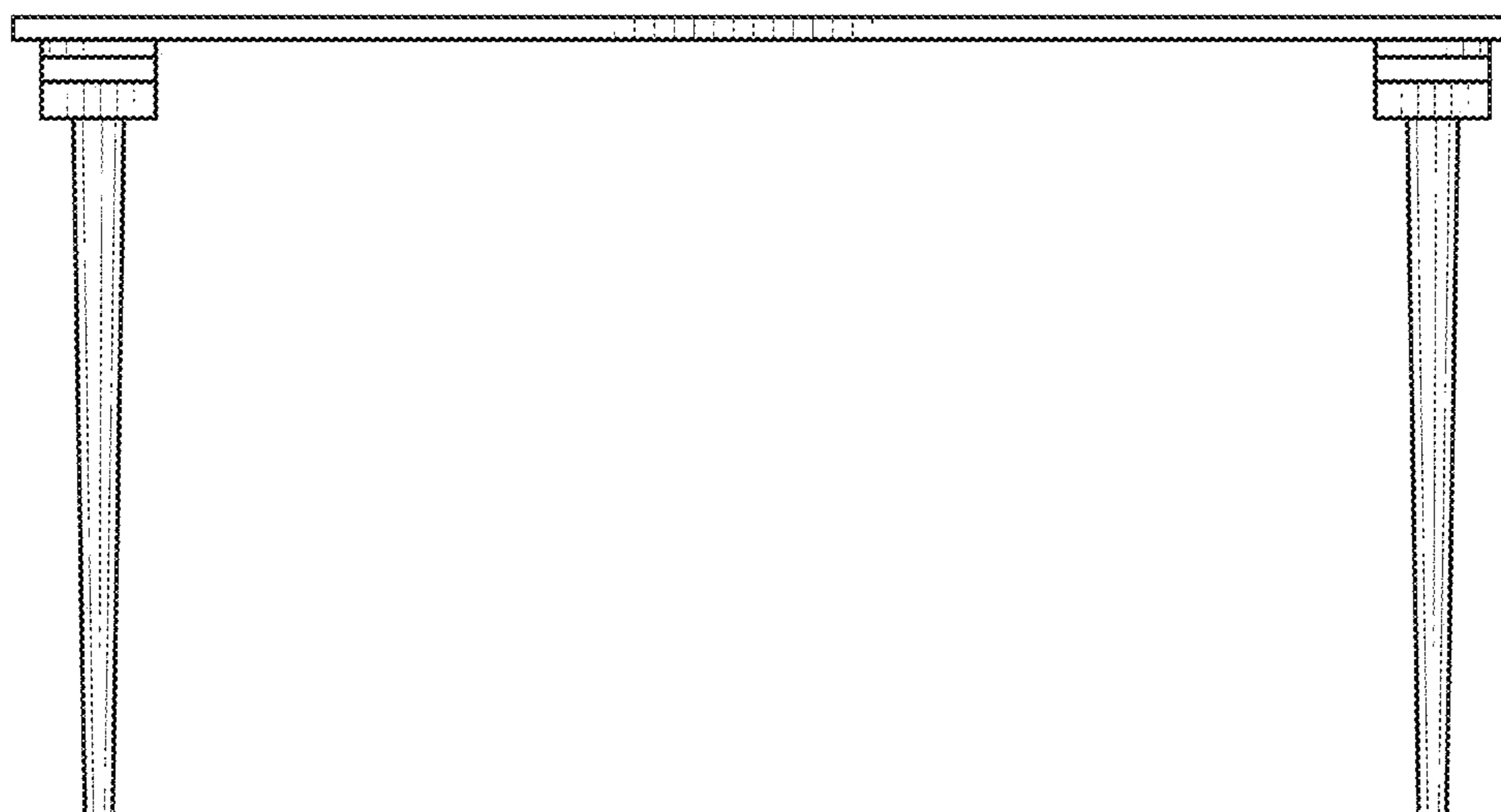


FIG. 6

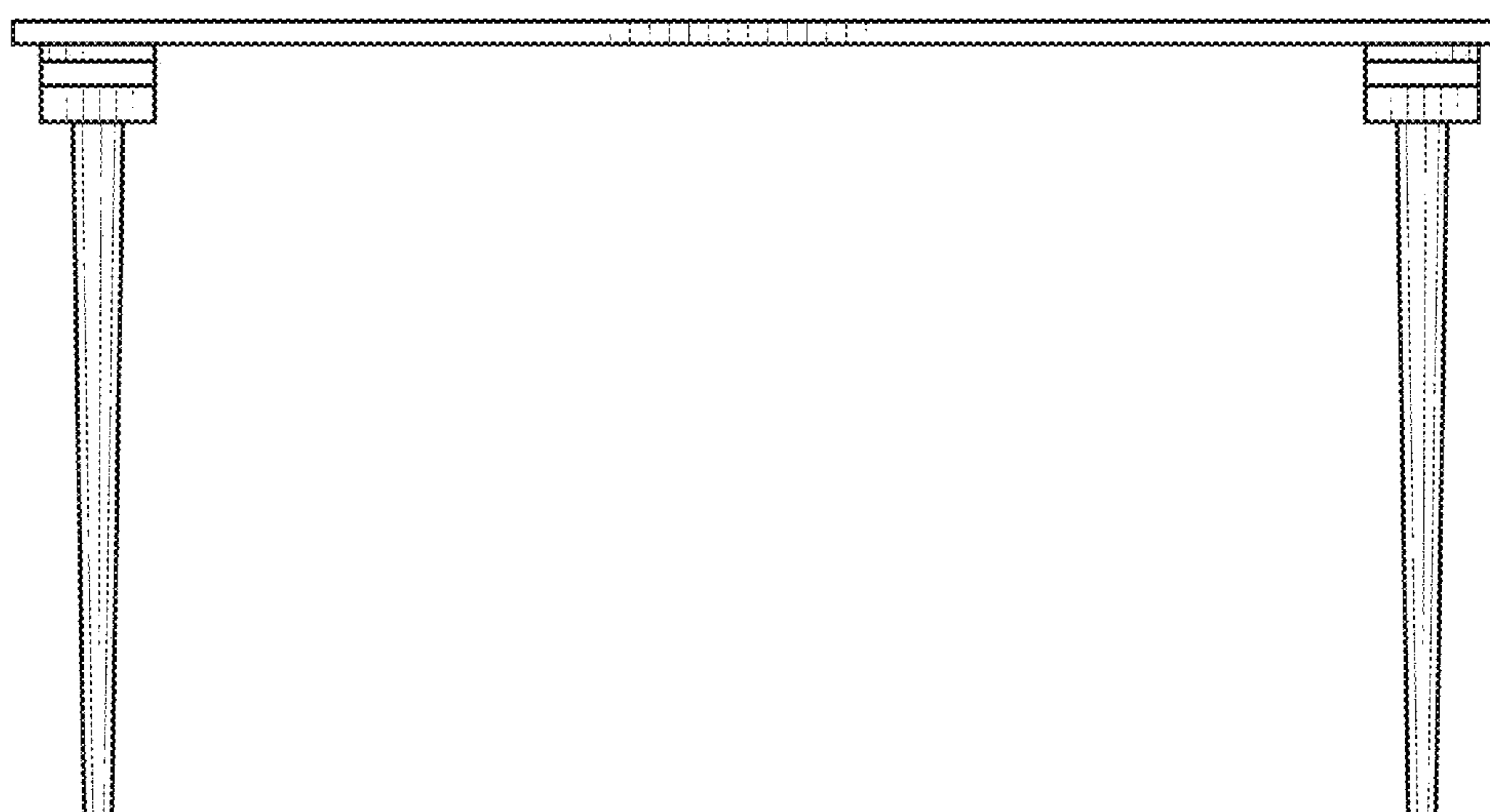


FIG. 7