



US00D917234S

(12) **United States Design Patent**
Manska et al.

(10) **Patent No.:** **US D917,234 S**
(45) **Date of Patent:** **** Apr. 27, 2021**

(54) **PILSNER GLASS**

Primary Examiner — Jae Liang

(71) Applicants: **George Frederick Manska**, Las Vegas, NV (US); **Lynda Grace Schultz**, Las Vegas, NV (US); **Christine Renea Crnek**, Henderson, NV (US)

(57) **CLAIM**

The ornamental design for a pilsner glass, as shown and described.

(72) Inventors: **George Frederick Manska**, Las Vegas, NV (US); **Lynda Grace Schultz**, Las Vegas, NV (US); **Christine Renea Crnek**, Henderson, NV (US)

DESCRIPTION

(**) Term: **15 Years**

Design Pat. No. USD663165S1 by two of the same inventors herein established the straight, angled rim flare portion of this patent. Design Pat. No. US20130273224A1 filed with USPTO on Jun. 27, 2011, published Oct. 17, 2013 with utility patent application subsequently submitted and is at this submission under examination.

(21) Appl. No.: **29/728,844**

FIG. 1 is a top view of a pilsner glass showing my new design;

(22) Filed: **Mar. 21, 2020**

(51) **LOC (13) Cl.** **07-01**

(52) **U.S. Cl.**

USPC **D7/524; D7/537**

(58) **Field of Classification Search**

USPC D7/524, 525, 526, 527, 528, 510, 511, D7/392.1, 396.2, 387, 393, 396.6, 213, D7/523, 537; D9/435, 436, 439, 447, D9/503, 504, 562; D27/102, 103, 118, D27/109, 138

FIG. 2 is a cross sectional view thereof showing a section taken along line 2-2 of FIG. 1;

CPC B65D 41/04; B65D 43/02; A47G 19/2288; A47G 19/2266

FIG. 3 is an elevation side view thereof; all sides being identical;

See application file for complete search history.

FIG. 4 is a bottom view

FIG. 5 is a perspective view exposing the vessel mouth; and, FIG. 6 is a perspective view exposing the vessel bottom.

(56) **References Cited**

U.S. PATENT DOCUMENTS

D4,118 S	8/1870	Roebuck	D34/2
D24,785 S	10/1895	Gaither	D7/523
599,286 A	2/1898	McAusland	220/574
D74,401 S	2/1928	Venon		
D102,062 S	11/1936	Morrison	D7/509
D108,746 S	3/1938	Hudson	D7/523

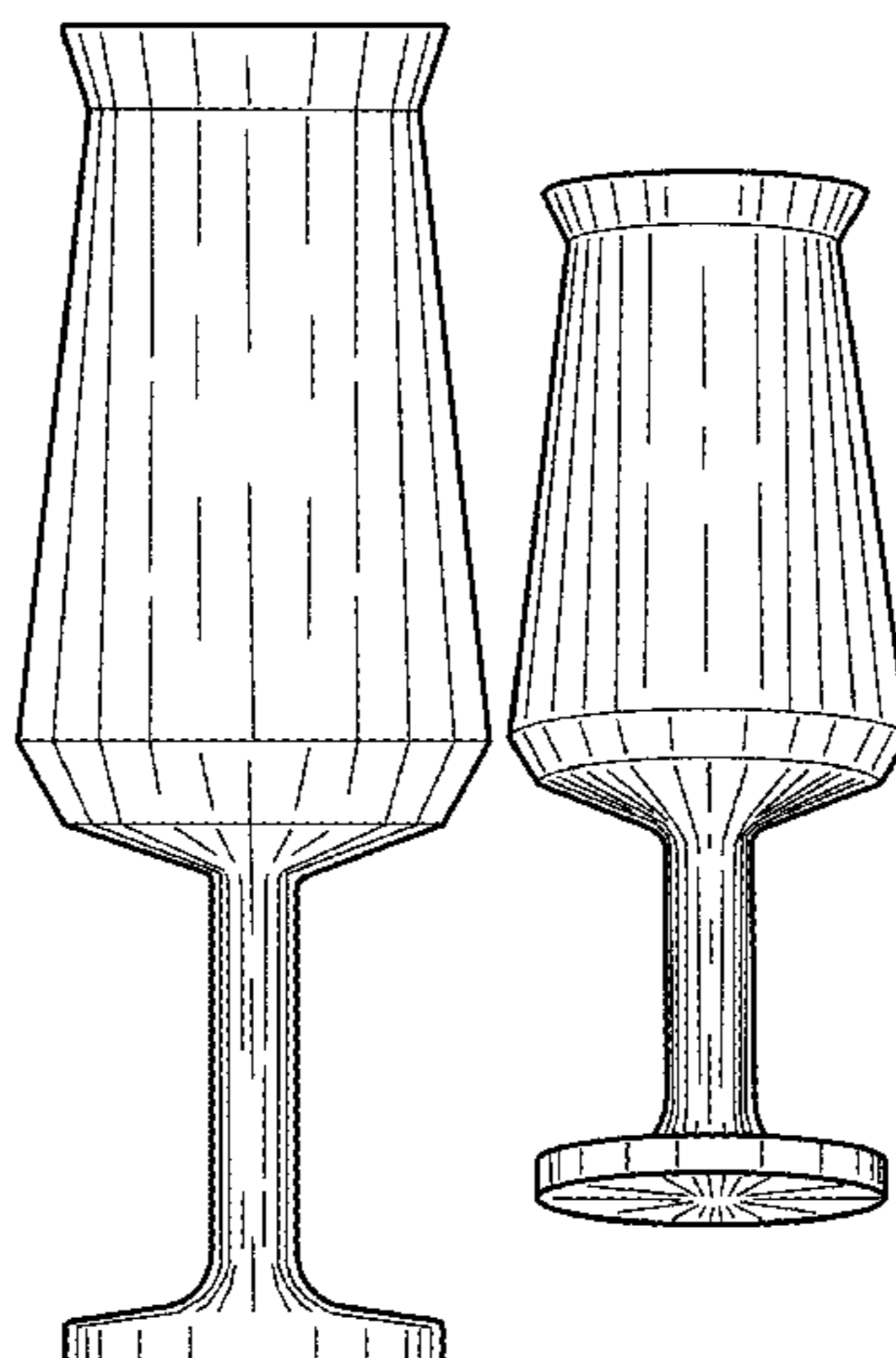
(Continued)

FOREIGN PATENT DOCUMENTS

WO	WO2006/130896 A	12/2006	A47G 19/12
WO	WO 2013/002972 A1	1/2020	B65D 90/12

Ornamental design features are distinctive straight bowl sides vertically convergent from the lower part of the bowl toward the rim, straight angled flare, stem, and foot to eliminate all visual curves in elevation except minimal radii which may be required for manufacturing feasibility between the convergent angled sides and flares, and are required for the attachment of stem to lower bowl and foot to stem, a straight flare at the top rim of the vessel, and a substantially large diameter stem and substantially thick vertical height foot.

1 Claim, 2 Drawing Sheets



(56)

References Cited

U.S. PATENT DOCUMENTS

D136,625 S * 11/1943 Richards D7/537
 2,347,658 A 5/1944 Bourne A47G 19/02
 D154,729 S 8/1949 Smith D7/524
 3,243,068 A 3/1966 Huston 215/10
 3,482,731 A 12/1969 Douty B65D 25/24
 3,499,569 A 3/1970 Wentzel 215/374
 D221,170 S * 7/1971 Benes D7/524
 4,363,479 A * 12/1982 Urasaki A47G 19/2227
 215/6
 4,555,040 A 11/1985 Butenschon B65D 23/16
 D286,246 S * 10/1986 Blake D7/527
 D286,390 S 10/1986 Groce D11/157
 D334,321 S 3/1993 Falzorano D7/527
 D351,121 S * 10/1994 Lauchlan D11/143
 5,482,456 A * 1/1996 Jwayad F21S 19/00
 431/295
 D442,101 S 5/2001 Kochie D26/9
 D459,156 S 6/2002 Davidson D7/524

D463,615 S 9/2002 Habibi et al. D27/138
 D495,210 S 8/2004 Rosow D7/524
 D515,927 S 2/2006 Smay et al. D9/503
 7,128,687 B2 10/2006 Lewis 220/675
 D544,652 S 6/2007 Nysten et al. D30/125
 D575,108 S 8/2008 Barducci D7/523
 D582,213 S 12/2008 Kehrein et al. D7/523
 D617,148 S 6/2010 Musso et al. D7/524
 D658,539 S 5/2012 Harshman D11/146
 D660,195 S 5/2012 Harshman D11/146
 D663,165 S 7/2012 Manska et al. D7/523
 D698,200 S 1/2014 Lauwagie D7/509
 D766,040 S * 9/2016 Kehrein D7/523
 D798,666 S 10/2017 Koch et al. D7/523
 D801,119 S 10/2017 Petre et al. D7/523
 D815,912 S 4/2018 Willat et al. D7/523
 D828,096 S 9/2018 Moore et al. D7/523
 D829,055 S * 9/2018 Wearden D7/524
 2012/0228166 A1 9/2012 Mitchell B65D 23/00
 2013/0273224 A1 10/2013 Manska et al. A47G 19/22

* cited by examiner

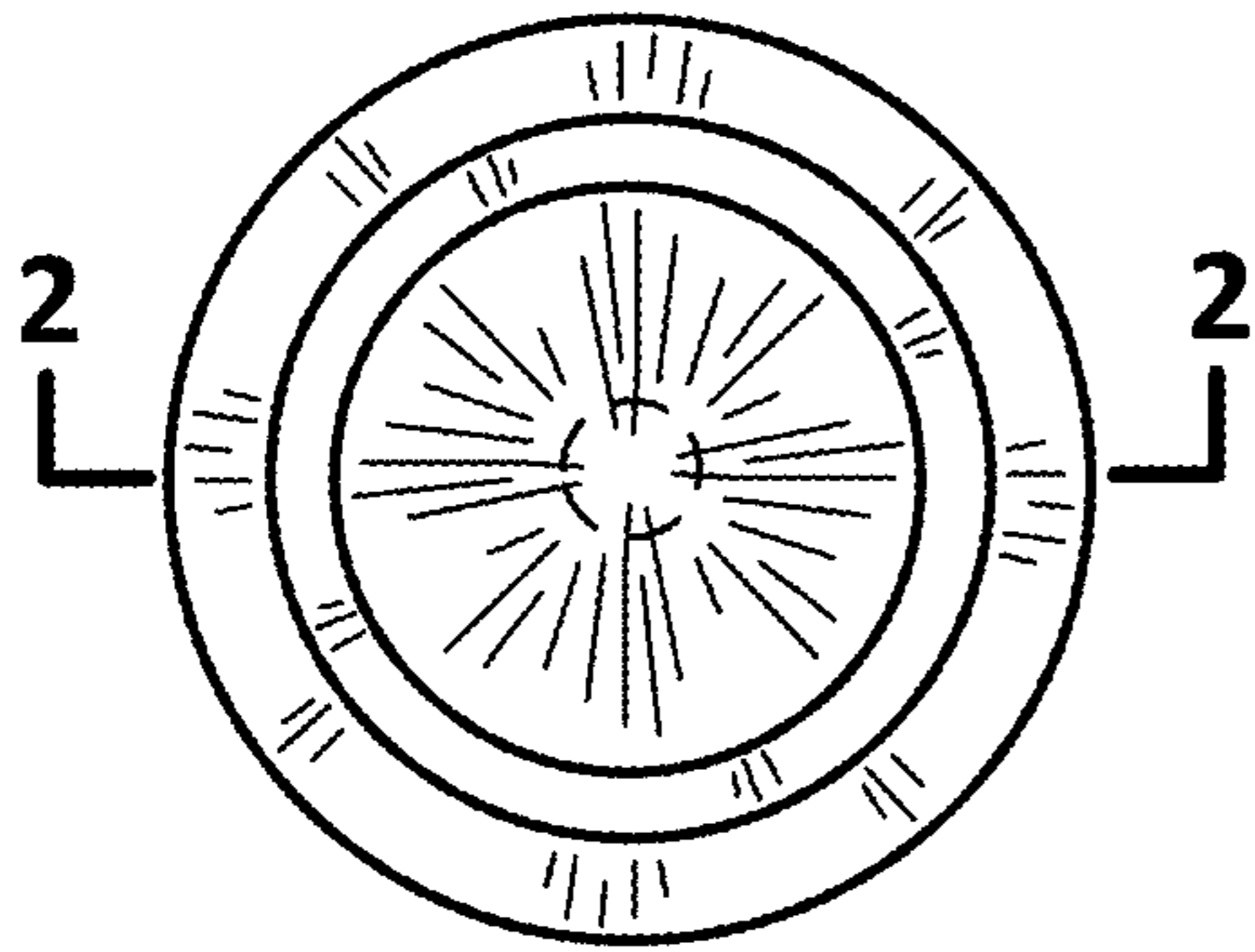


Fig. 1

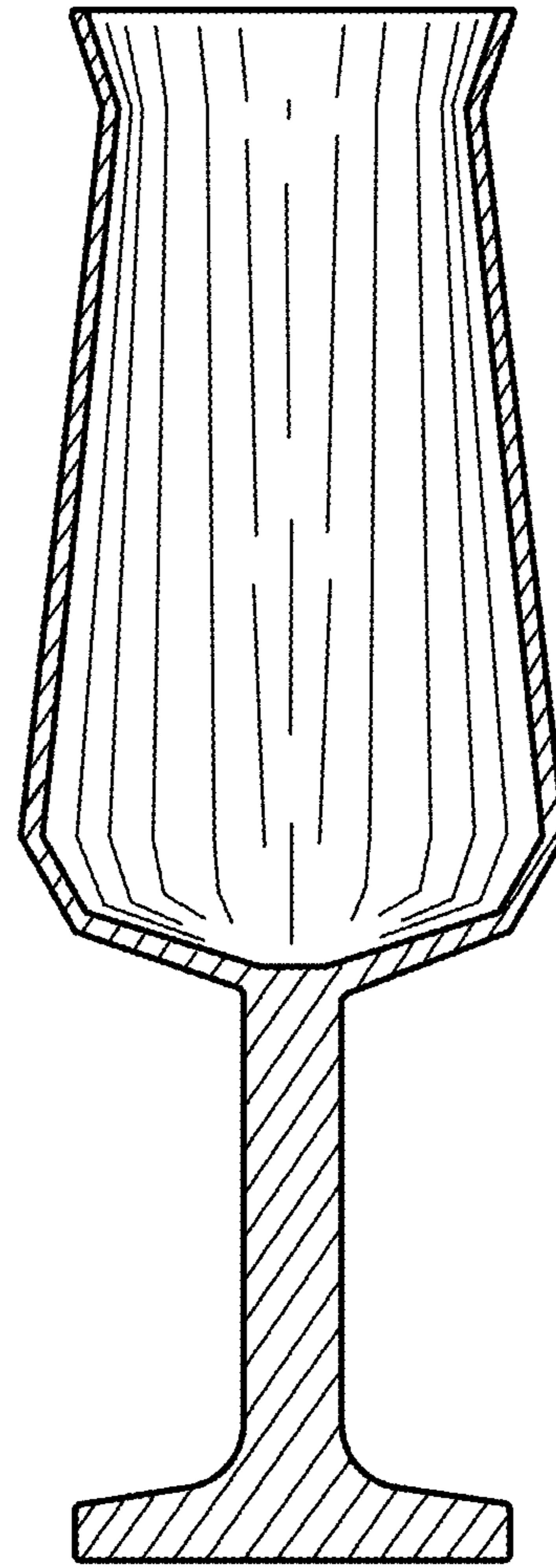


Fig. 2

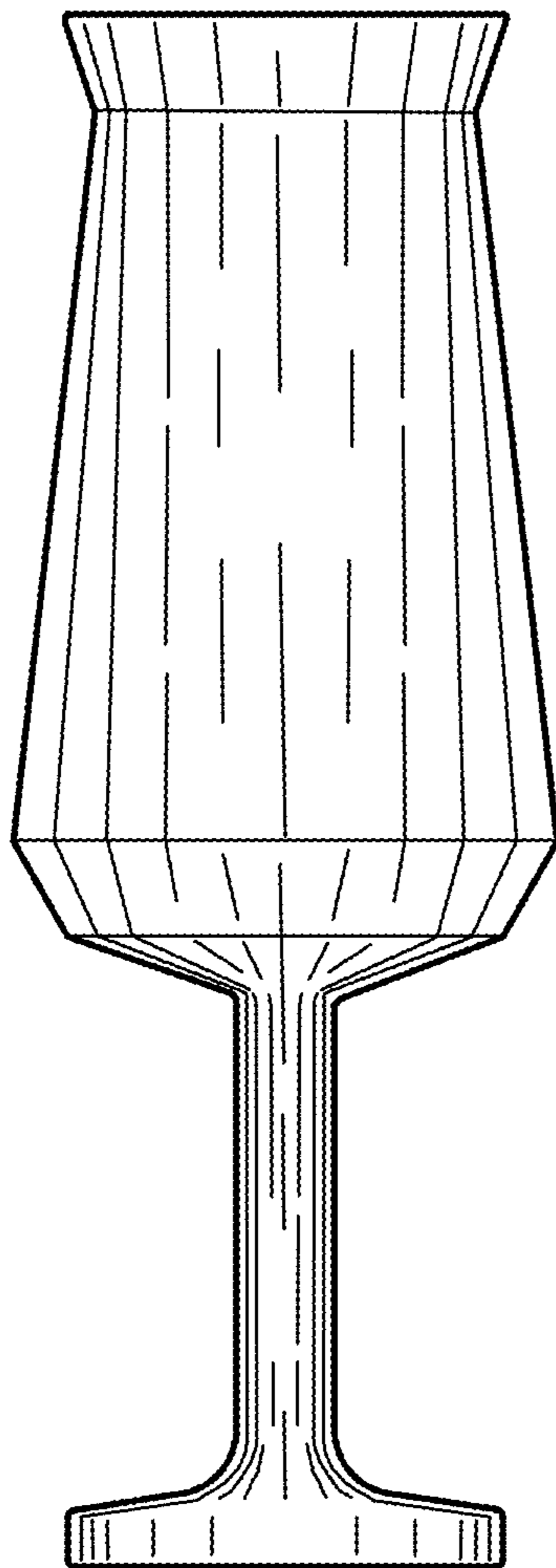


Fig. 3

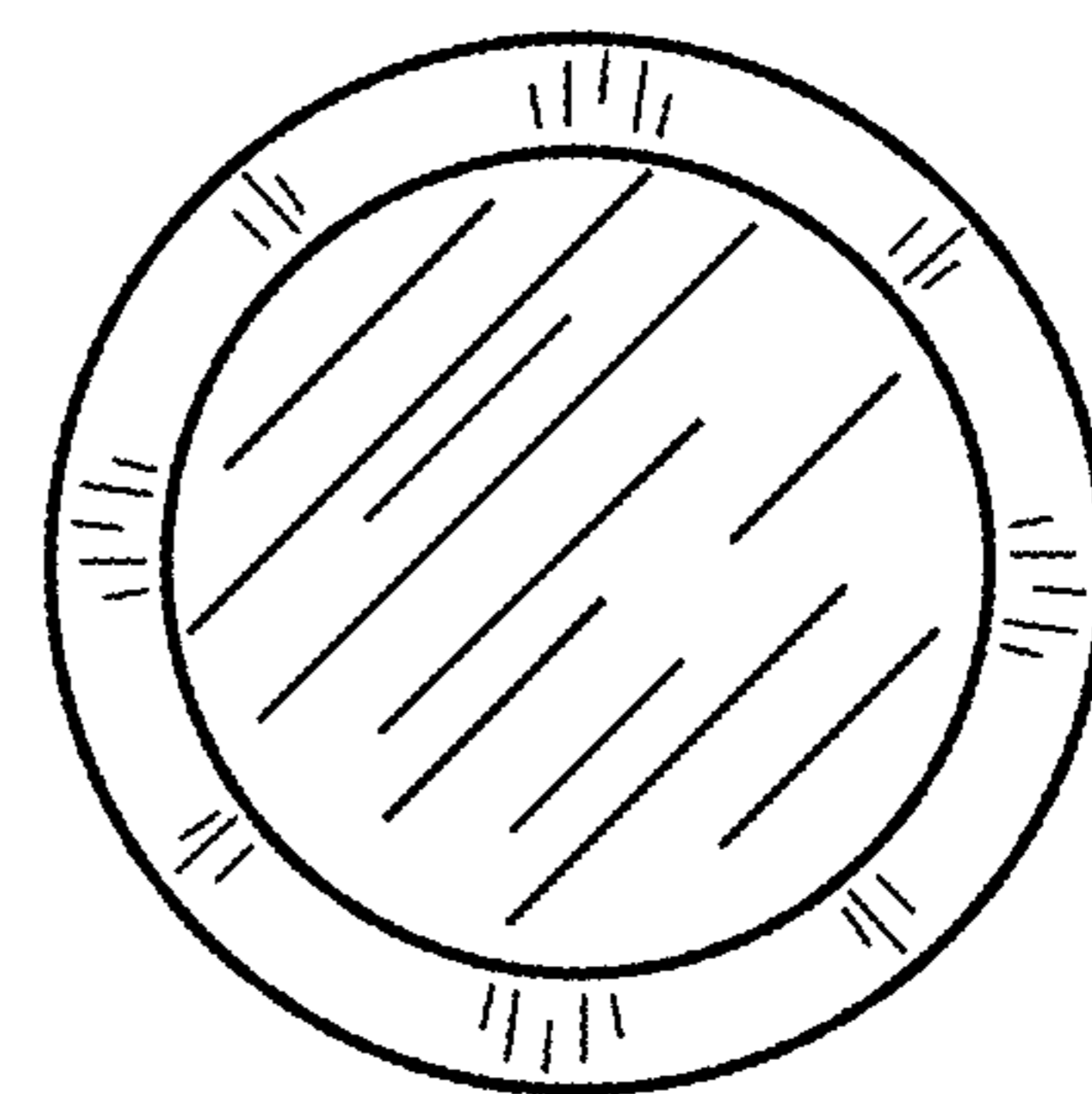


Fig. 4

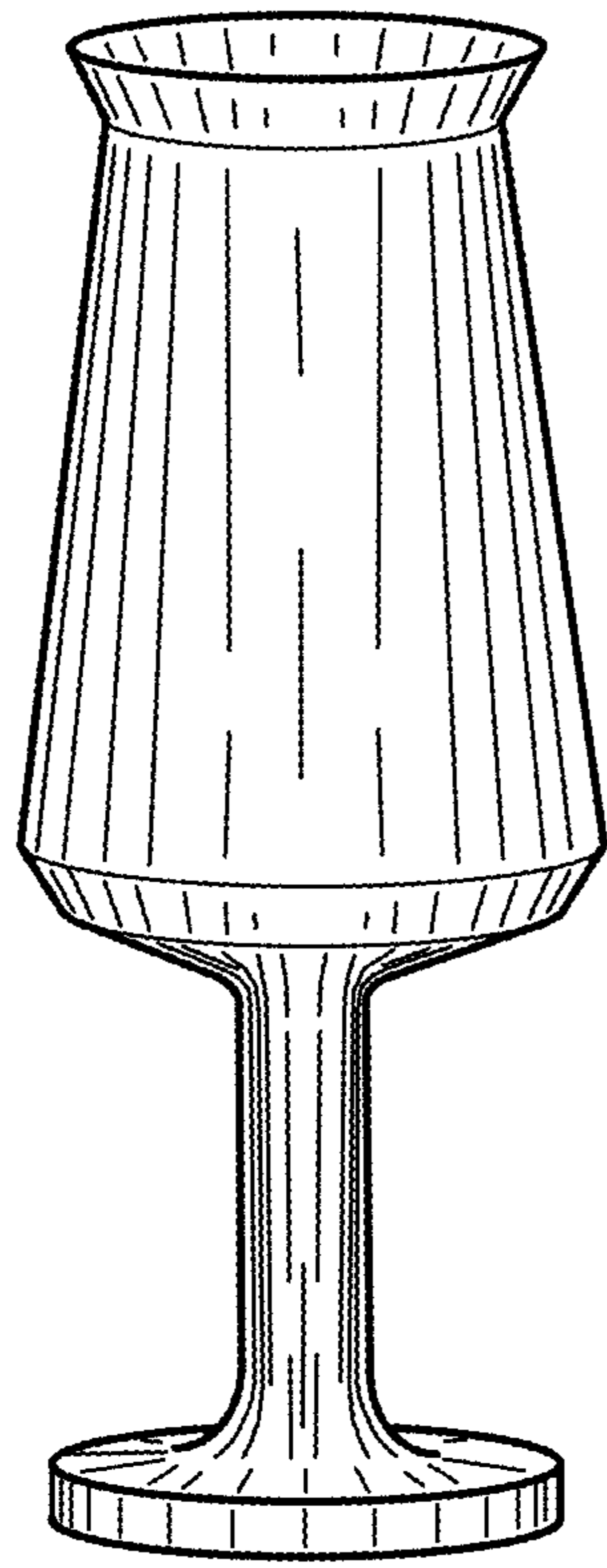


Fig. 5

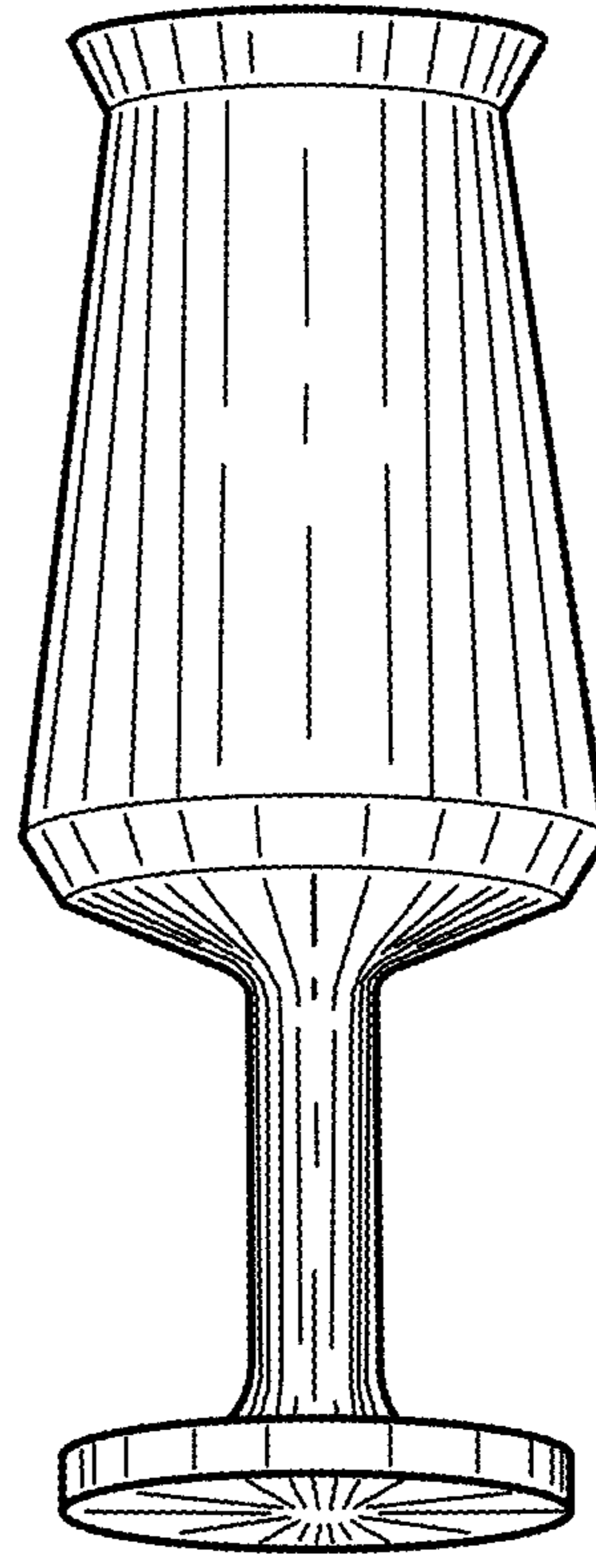


Fig. 6