



US00D917229S

(12) **United States Design Patent**
Kent et al.

(10) **Patent No.:** **US D917,229 S**
(45) **Date of Patent:** **** Apr. 27, 2021**

(54) **MIXER**

(71) Applicant: **Revelution Technology, LLC**, Carson, CA (US)
(72) Inventors: **Joshua Kent**, Carson, CA (US);
Christanne Cabal, Carson, CA (US);
DanAngelo Cabal, Chesapeake, VA (US); **Rebekah Cabal**, Chesapeake, VA (US)
(73) Assignee: **REVELUTION TECHNOLOGY, LLC**, Carson, CA (US)

(**) Term: **15 Years**

(21) Appl. No.: **29/717,042**

(22) Filed: **Dec. 13, 2019**

(51) **LOC (13) Cl.** **31-00**

(52) **U.S. Cl.**
USPC **D7/412**; D7/376; D7/378; D7/379;
D7/384

(58) **Field of Classification Search**
USPC D7/372, 376–386, 412–413, 602, 629,
D7/665–666, 669, 679, 693–694
CPC A21C 1/02; A21C 1/04; A23C 3/00; A23N
1/00; A23N 1/02; A47J 43/04; A47J
43/25; A47J 43/27; A47J 43/042; A47J
43/044; A47J 43/046; A47J 43/075; A47J
43/0705; A47J 43/0711; A47J 43/0722;
A47J 43/0727; A47J 43/1093; B01F 3/00;
B01F 3/0807; B01F 3/0853; B01F
7/1695; B01F 13/0059; B01F 13/0064;
B02C 1/08; B02C 2/04; B02C 4/42;
B02C 4/142; B02C 4/143; B02C 4/423;
B02C 13/1835; B28C 5/10; B28C 5/12;
B28C 5/14; B28C 5/16; F04D 29/34

See application file for complete search history.

(56) **References Cited**

U.S. PATENT DOCUMENTS

1,287,741 A *	12/1918	Pinkney	F04D 29/34 416/214 R
1,463,736 A *	7/1923	Ward	A47J 43/0705 366/343
1,579,323 A *	4/1926	Johnston	A47J 43/0711 416/204 R
1,786,603 A *	12/1930	Dawson	A47J 43/0711 416/227 R
D124,192 S *	12/1940	Carman	D7/412
2,397,011 A *	3/1946	Jensen	A47J 43/0711 416/204 R
2,490,015 A *	12/1949	Carman	A23C 3/00 426/238
3,132,850 A *	5/1964	Puchalski	B01F 7/1695 366/308
3,154,297 A *	10/1964	Lovgren	A47J 43/0711 416/227 R

(Continued)

Primary Examiner — Ricky Pham
(74) *Attorney, Agent, or Firm* — Snell & Wilmer LLP

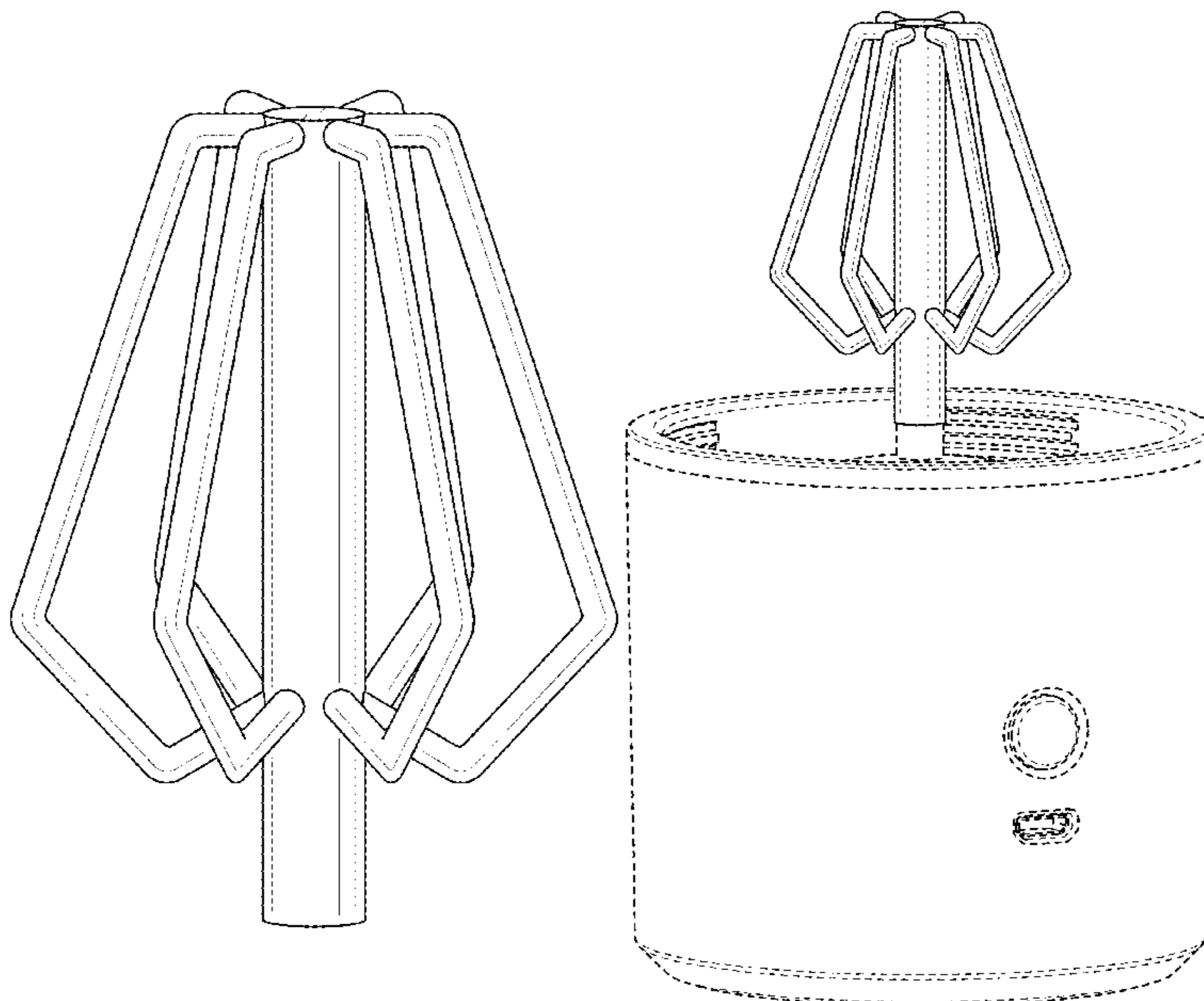
(57) **CLAIM**

The ornamental design for a mixer, as shown and described.

DESCRIPTION

FIG. 1 is an elevated perspective view of a mixer, showing our new design;
FIG. 2 is a front view thereof;
FIG. 3 is a back view thereof;
FIG. 4 is a left side view thereof;
FIG. 5 is a right side view thereof;
FIG. 6 is a top side view thereof;
FIG. 7 is a bottom side view thereof;
FIG. 8 is a view of the mixer attached to a blender base; and,
FIG. 9 is a view of the mixer attached to a blender shaft.
The broken lines shown in FIGS. 8 and 9 depict blenders that form no part of the claimed design.

1 Claim, 8 Drawing Sheets



(56)

References Cited

U.S. PATENT DOCUMENTS

5,788,368 A * 8/1998 Anderson A47J 43/1093
366/129
D560,433 S * 1/2008 Feil D7/379
D650,230 S * 12/2011 Drees D7/412
9,642,495 B2 * 5/2017 Venot A47J 43/1093

* cited by examiner

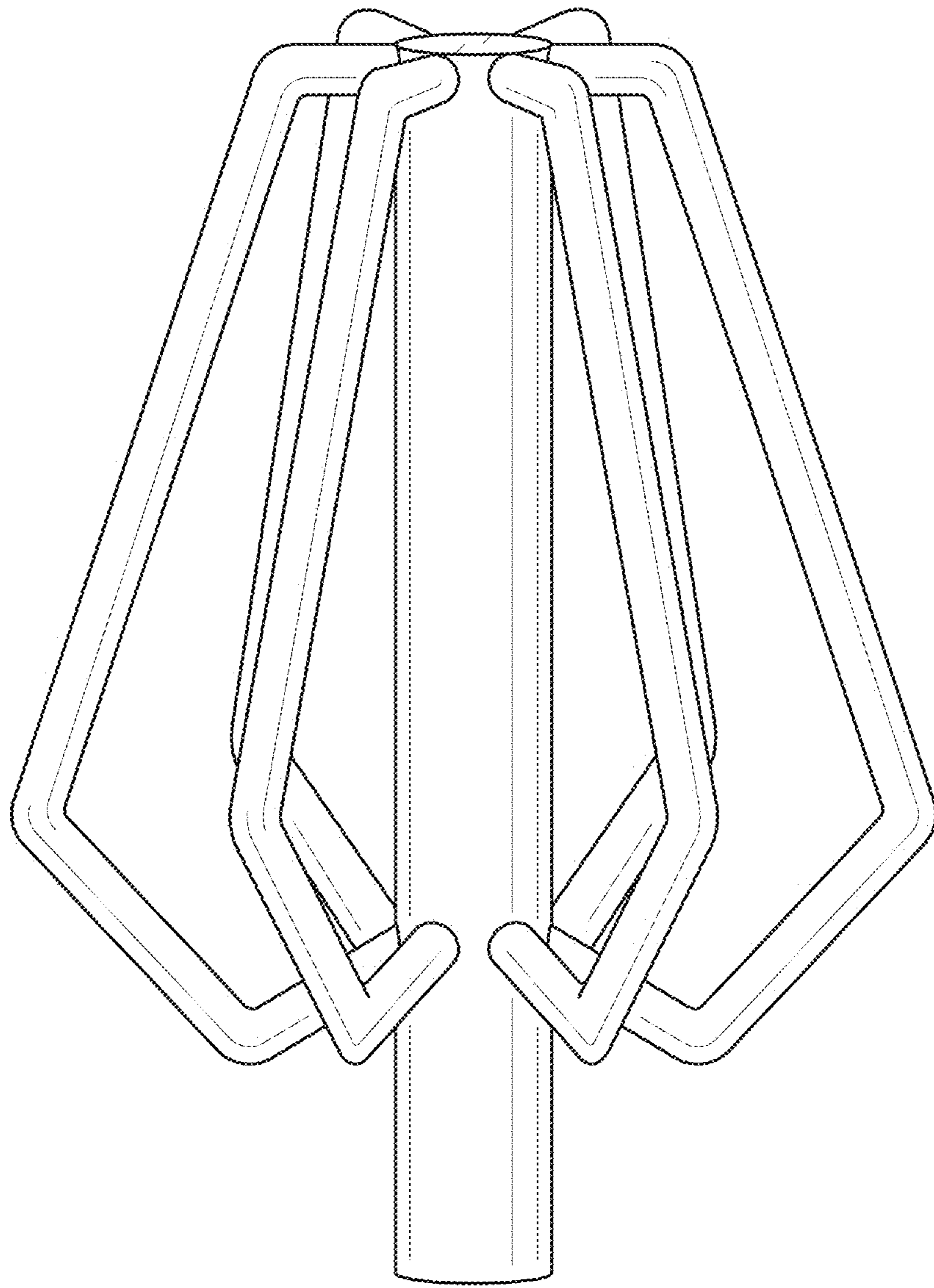


FIG. 1

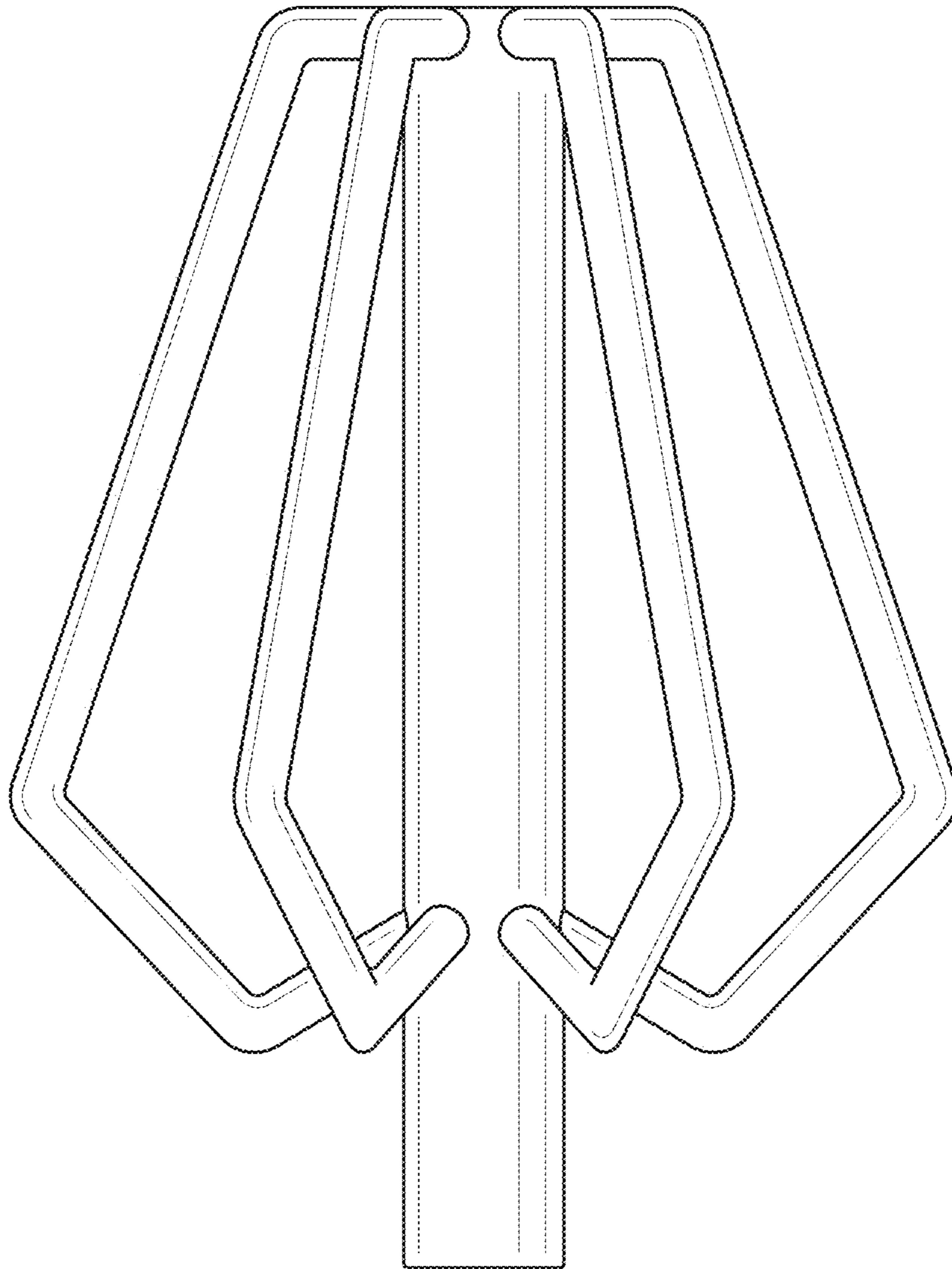


FIG. 2

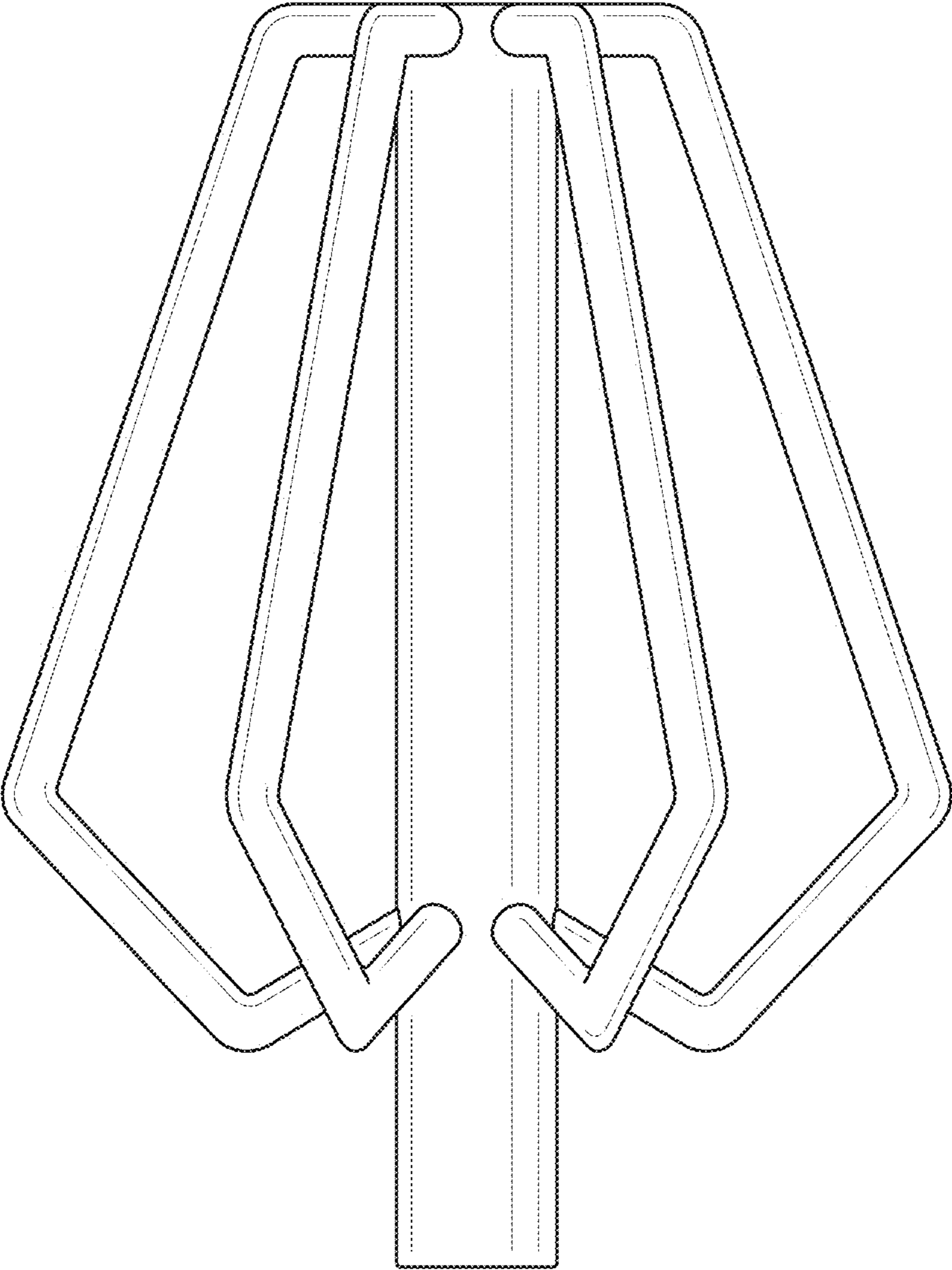


FIG. 3

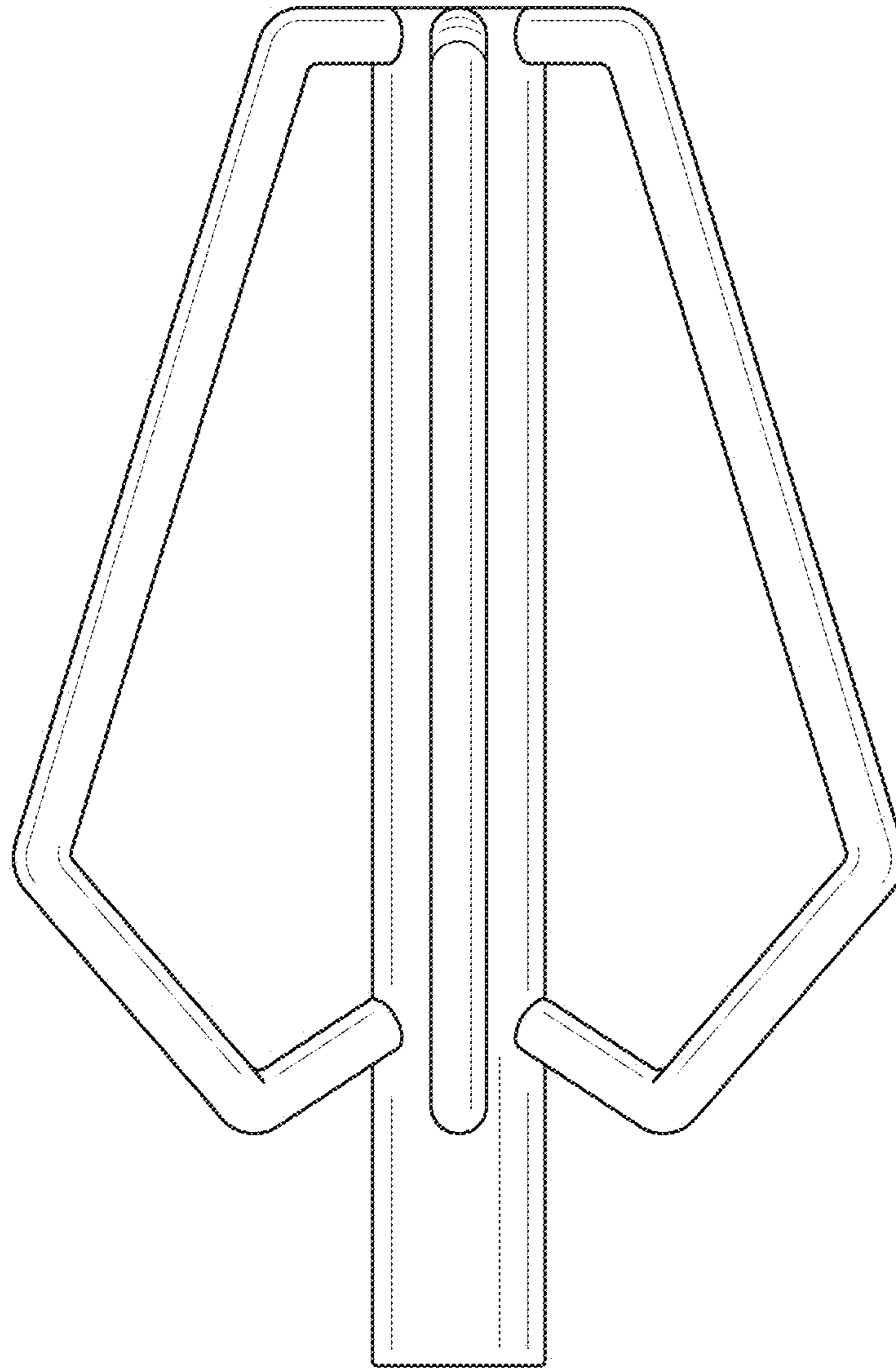


FIG. 4

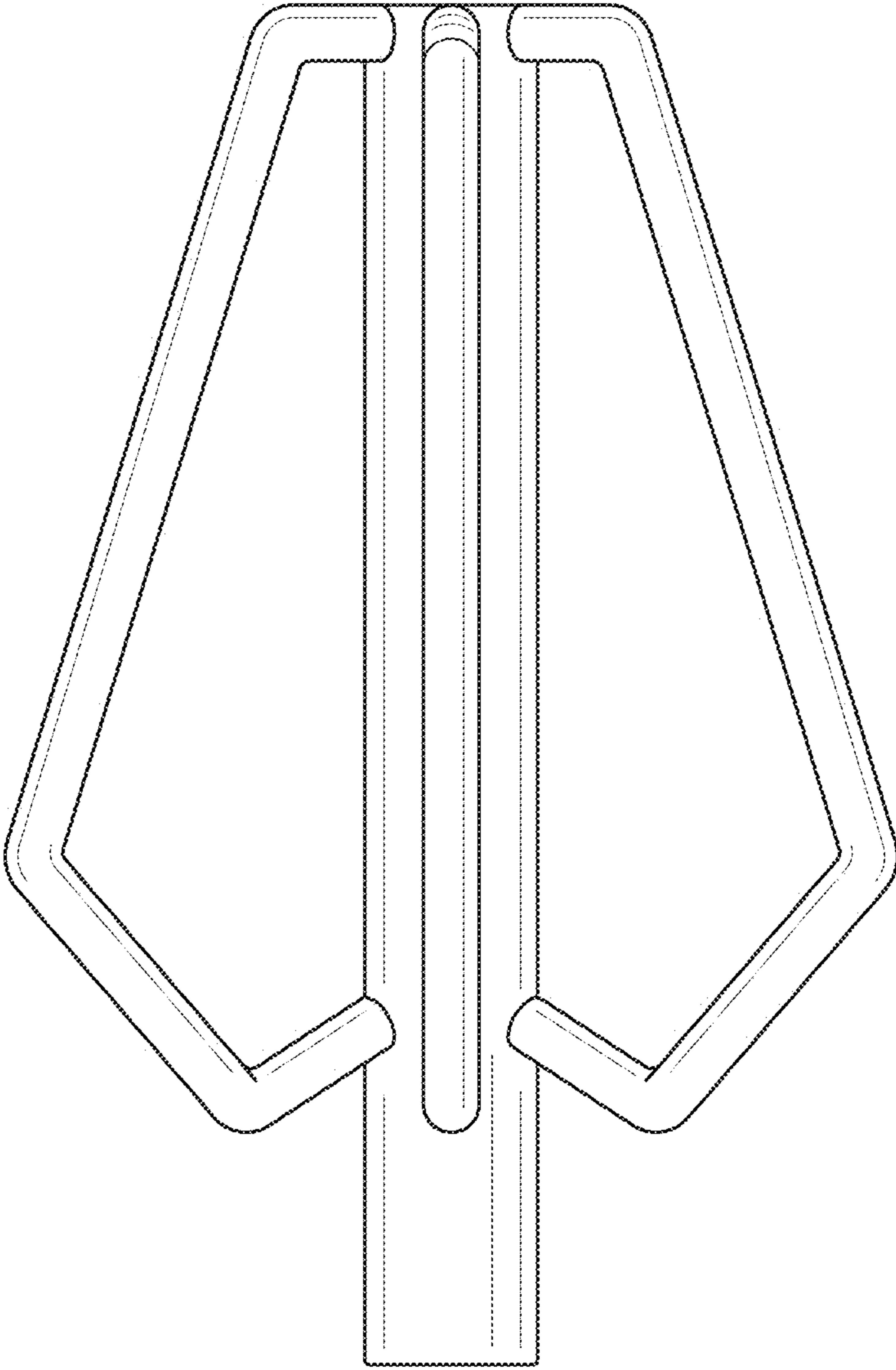


FIG. 5

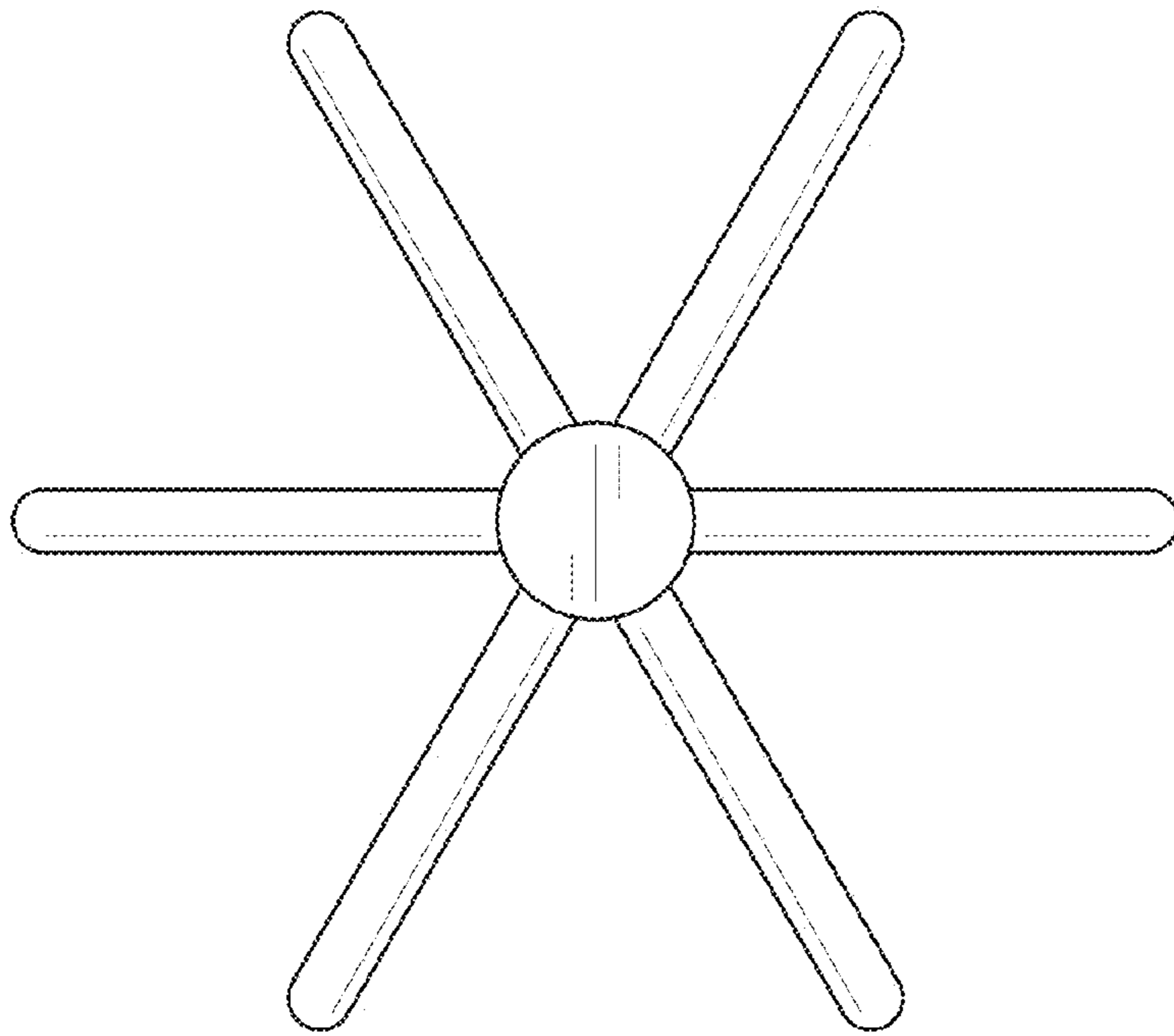


FIG. 6

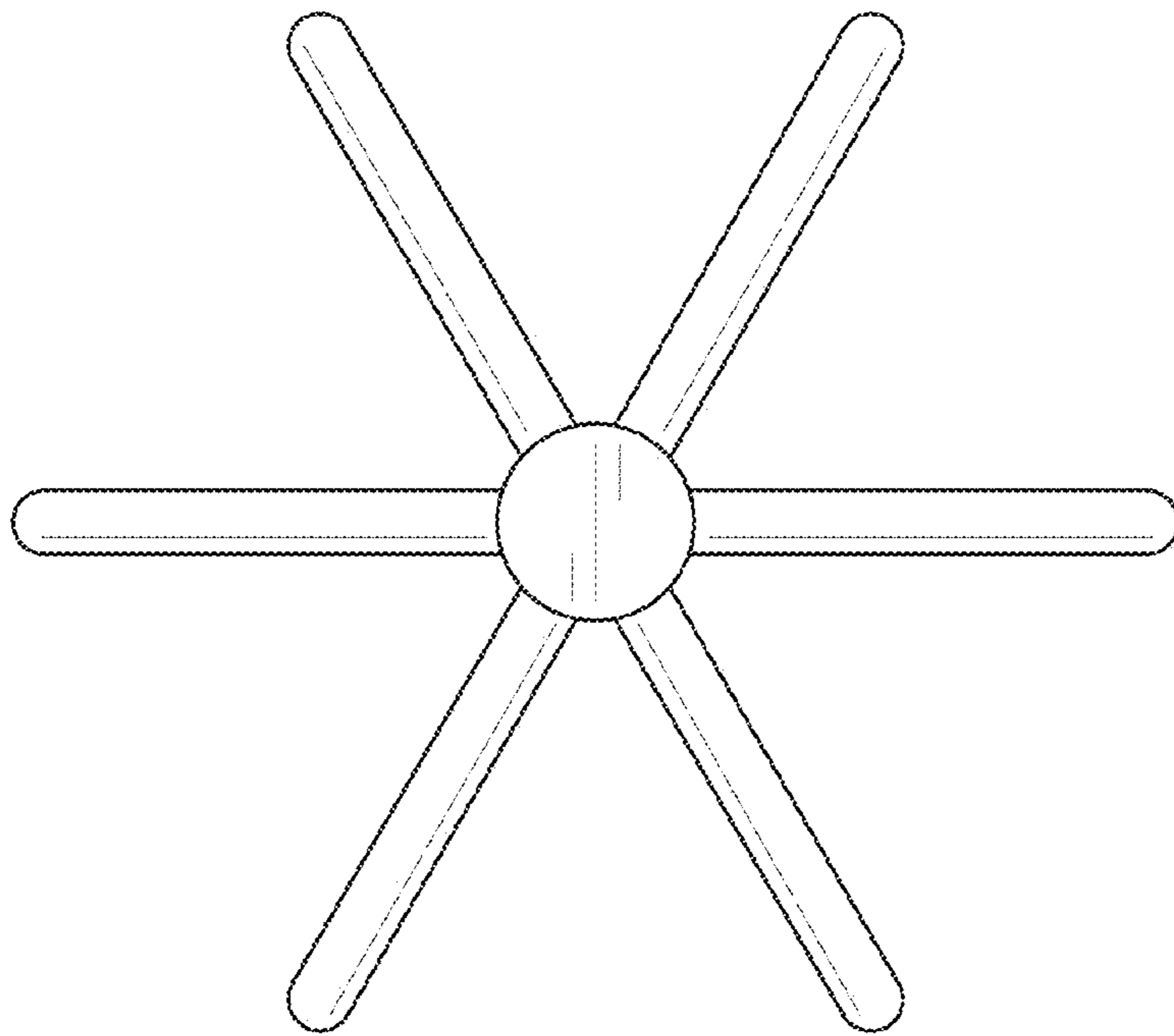


FIG. 7

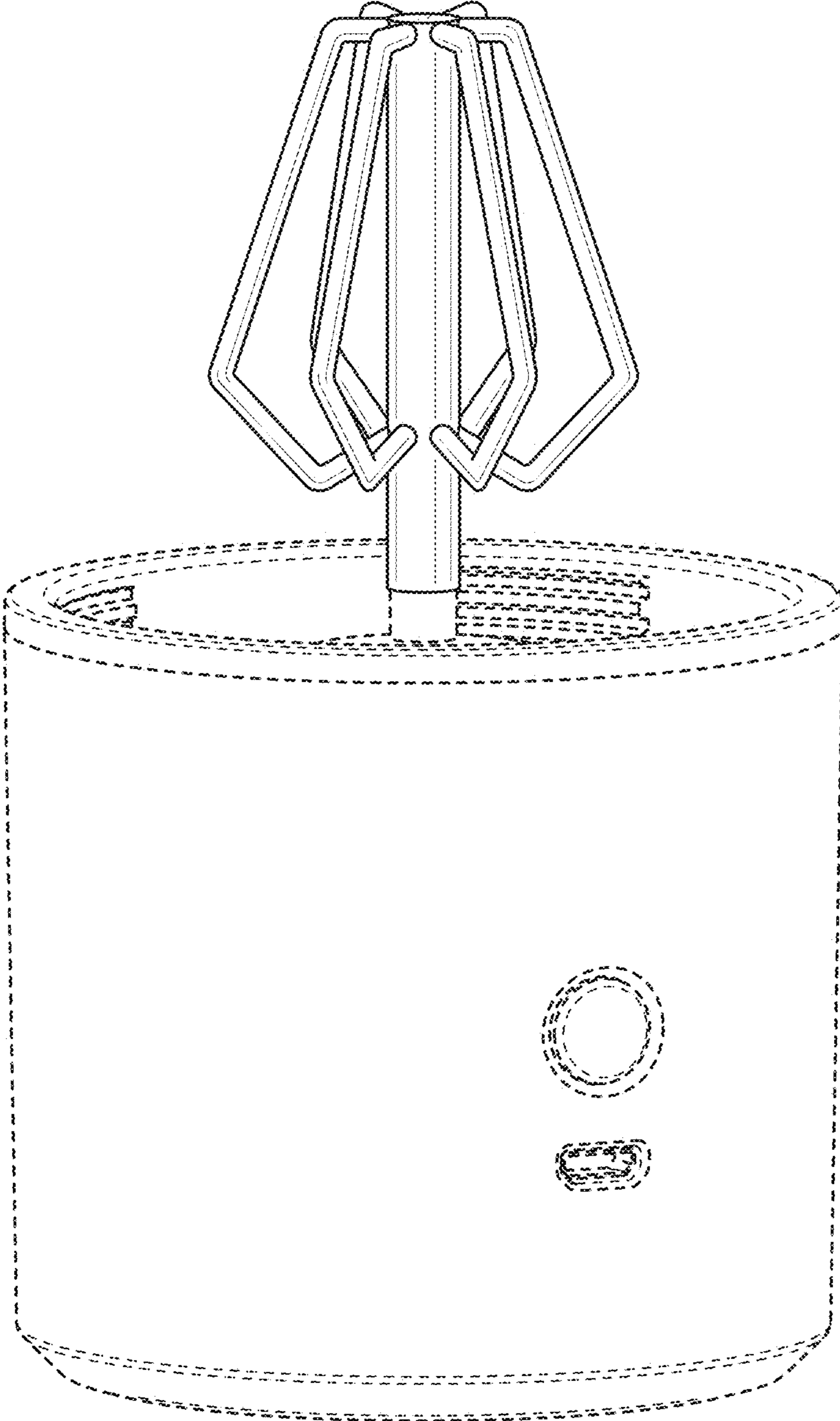


FIG. 8

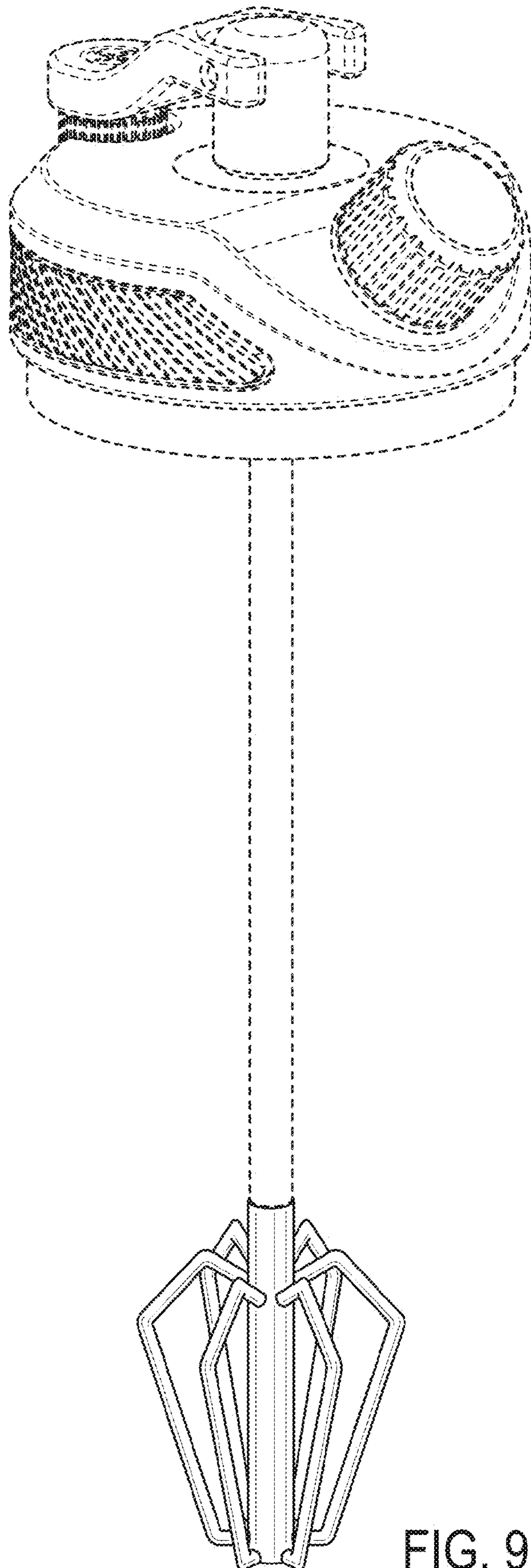


FIG. 9