



US00D917228S

(12) **United States Design Patent** (10) **Patent No.:** **US D917,228 S**
Chintis et al. (45) **Date of Patent:** **** Apr. 27, 2021**

(54) **COOKING APPLIANCE WITH BURNER GRATE**

(71) Applicant: **WHIRLPOOL CORPORATION**,
Benton Harbor, MI (US)

(72) Inventors: **Quinn Chintis**, Ferndale, MI (US);
Michael C. Lah, Benton Harbor, MI (US)

(73) Assignee: **Whirlpool Corporation**, Benton Harbor, MI (US)

(**) Term: **15 Years**

(21) Appl. No.: **29/690,563**

(22) Filed: **May 9, 2019**

Related U.S. Application Data

(62) Division of application No. 29/587,368, filed on Dec. 13, 2016, now Pat. No. Des. 853,189.

(51) **LOC (13) Cl.** **07-99**

(52) **U.S. Cl.**
USPC **D7/408**

(58) **Field of Classification Search**
USPC D7/387, 402-409, 393, 394, 323, 331,
D7/332-337, 339, 340, 346-349, 351,
D7/354, 358; D12/500, 501, 502, 204
CPC F24C 3/08; F24C 3/124; F24C 7/08; F24C
7/081; F24C 7/082; F24C 7/087; F24C
15/36; F24C 15/107; F24C 15/024; A47J
37/042; A47J 37/07; A47J 37/12; A47J
37/129; A47J 37/1295

See application file for complete search history.

(56) **References Cited**

U.S. PATENT DOCUMENTS

D119,039 S * 2/1940 Hennessy D7/408
D142,617 S * 10/1945 Coleman D7/408

D350,256 S 9/1994 Wang
D353,300 S * 12/1994 Edman D7/408
D372,630 S 8/1996 Lewis et al.
D389,374 S 1/1998 Miller
D421,694 S 3/2000 Kitabayashi et al.
D468,964 S 1/2003 Woodby et al.
D602,738 S * 10/2009 Bengtson D7/408
D697,756 S 1/2014 Segers et al.
D707,080 S 6/2014 Shamoan
D707,081 S * 6/2014 Shamoan D7/388
D738,683 S 9/2015 Segers et al.

(Continued)

Primary Examiner — Derrick E Holland

Assistant Examiner — Andrew Kerr

(74) *Attorney, Agent, or Firm* — Price Heneveld LLP

(57) **CLAIM**

The ornamental design for a cooking appliance with burner grate, as shown and described.

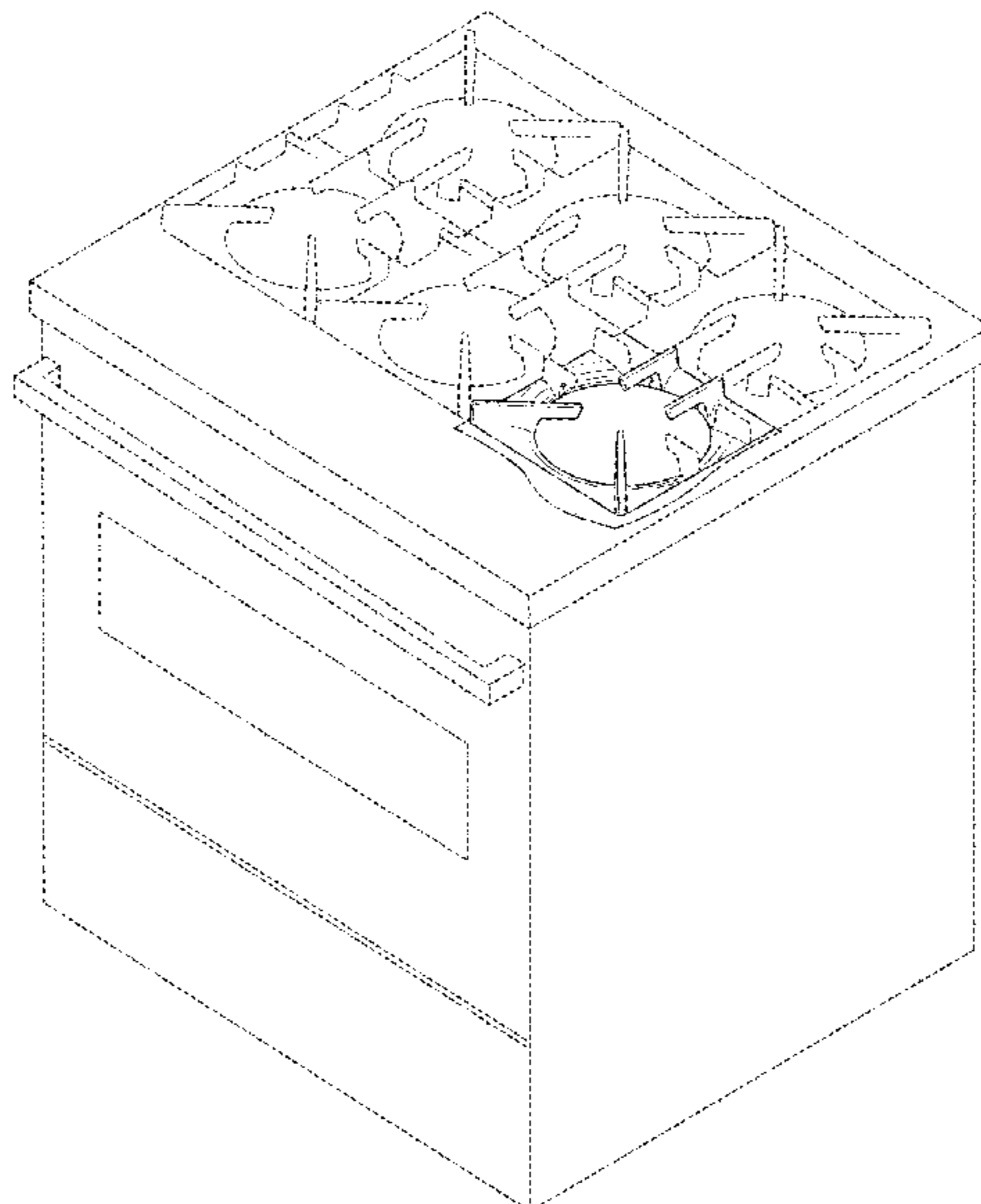
DESCRIPTION

FIG. 1 is a front perspective view of a cooking appliance with burner grate according to the design;
FIG. 2 is a front perspective view of the cooking appliance with burner grate shown in FIG. 1 with unclaimed portions of the cooking appliance and additional burner grates that are unclaimed in FIG. 1 being removed;
FIG. 3 is a top plan view thereof;
FIG. 4 is a bottom plan view thereof;
FIG. 5 is a front elevation view thereof;
FIG. 6 is a back elevation view thereof;
FIG. 7 is a right side elevation view thereof; and,
FIG. 8 is a left side elevation view thereof.

The broken lines in the drawings depict portions of the cooking appliance with burner grate that form no part of the claimed design.

Dash-dot lines adjacent un-shaded areas represent bounds of the claimed design and form no part of the claimed design themselves.

1 Claim, 6 Drawing Sheets



(56)

References Cited

U.S. PATENT DOCUMENTS

D782,863 S 4/2017 Kamper et al.
D804,245 S 12/2017 Segers et al.

* cited by examiner

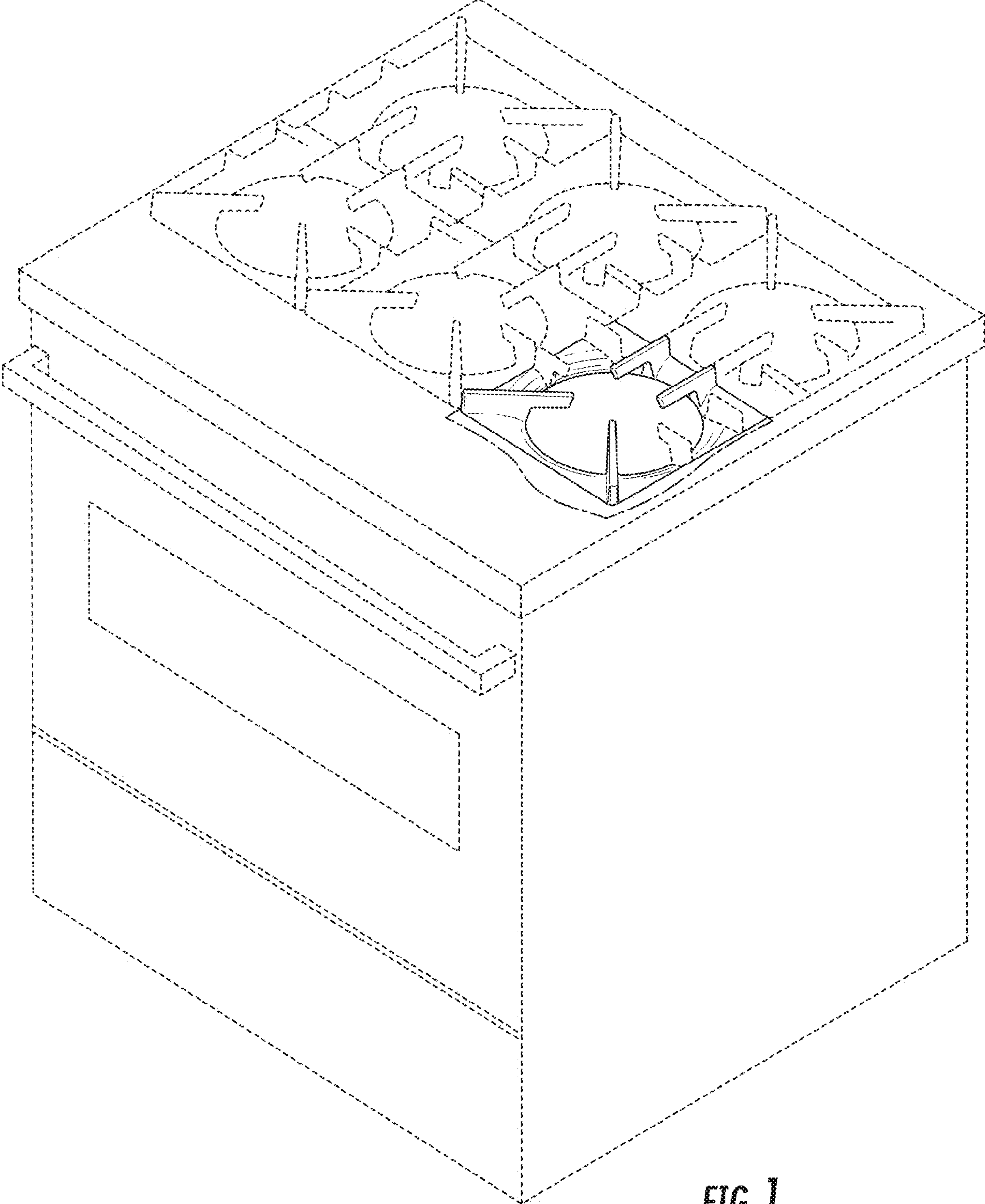


FIG. 1

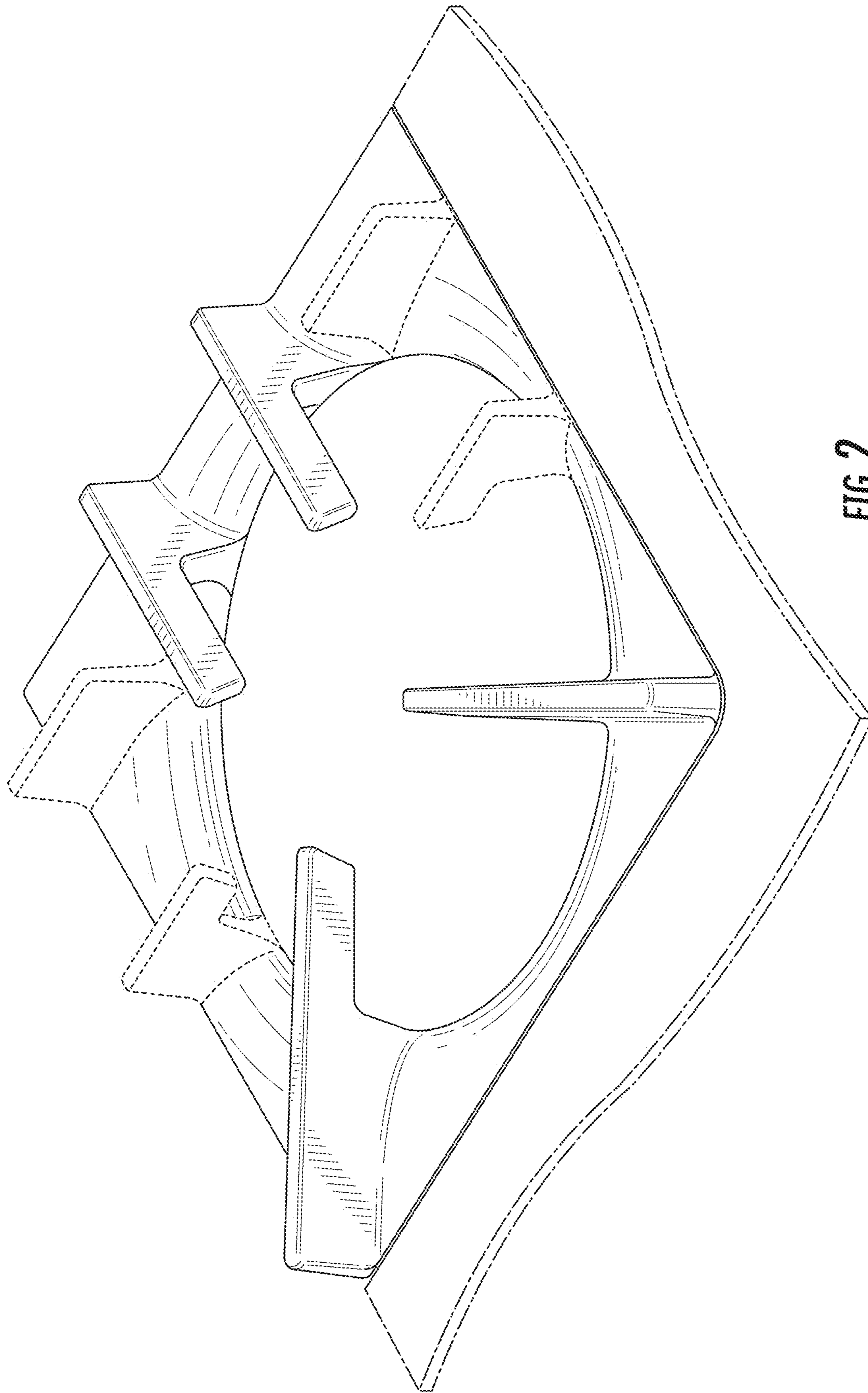


FIG. 2

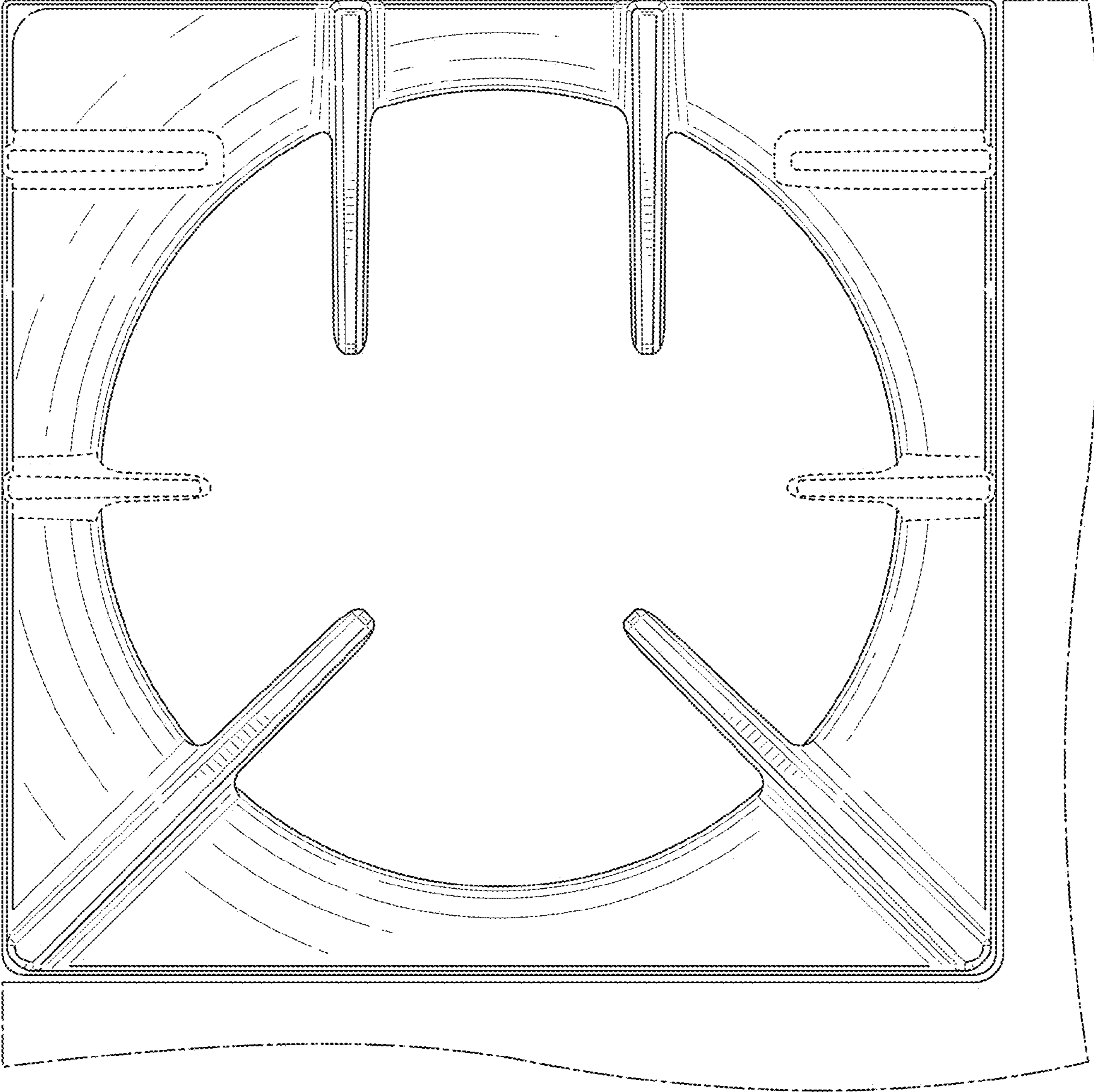


FIG. 3

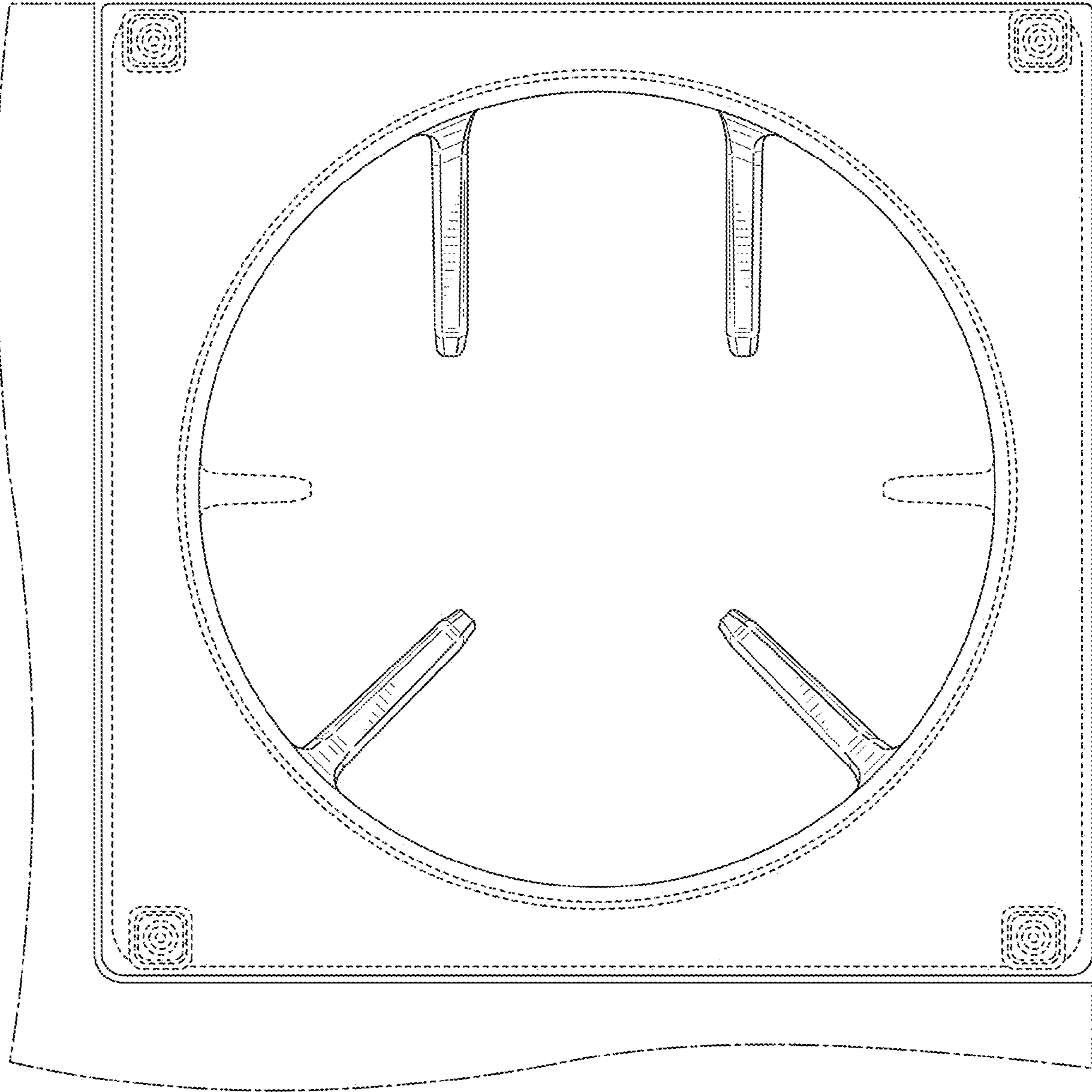


FIG. 4

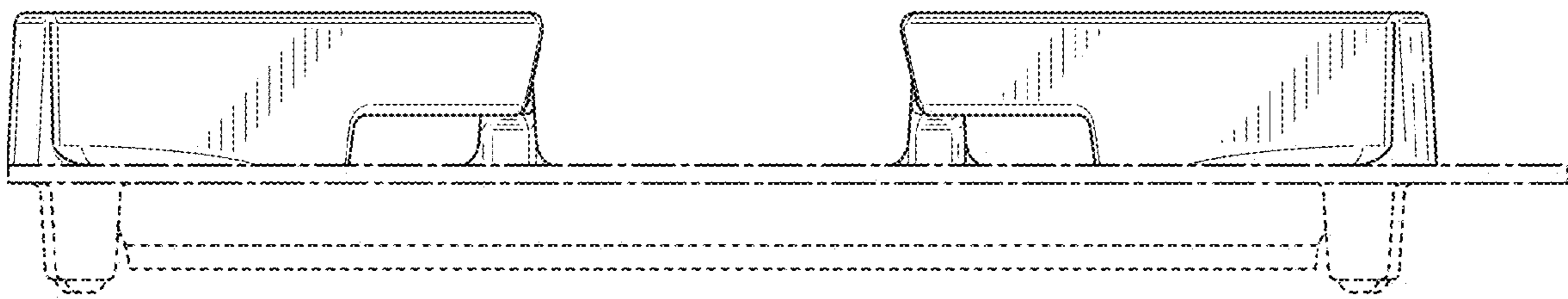


FIG. 5

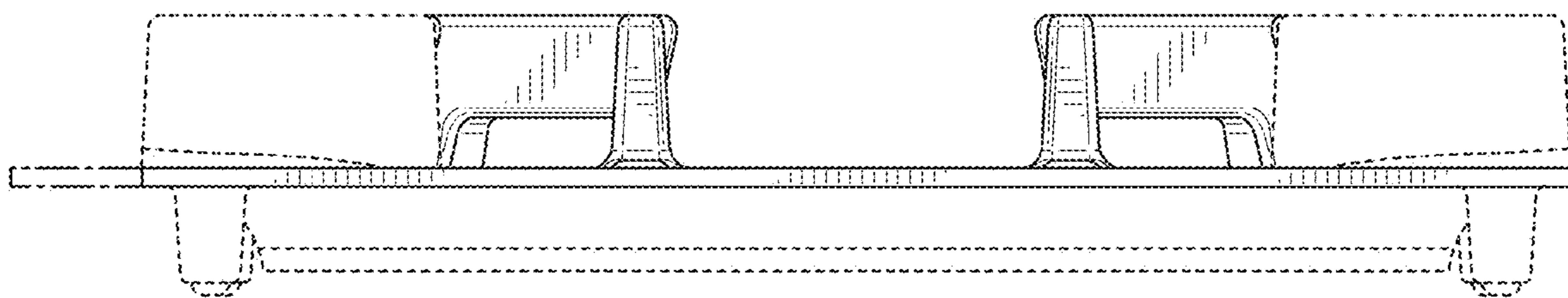


FIG. 6

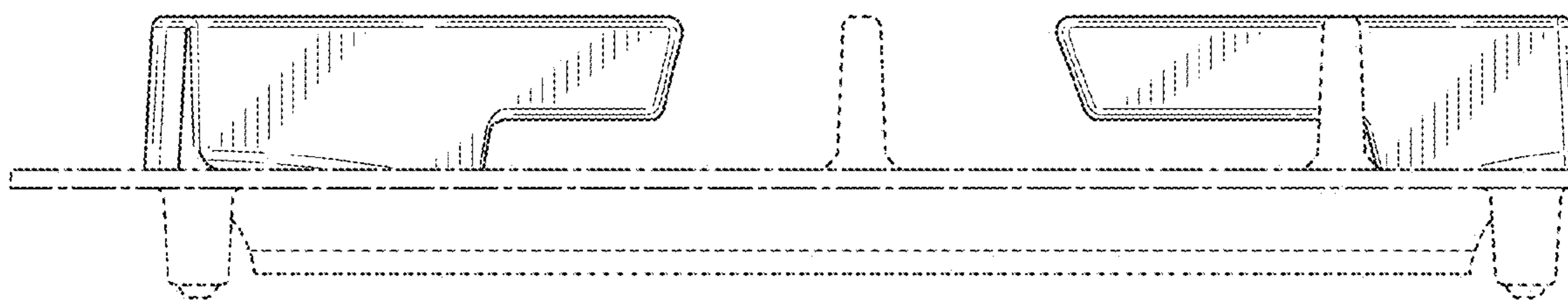


FIG. 7

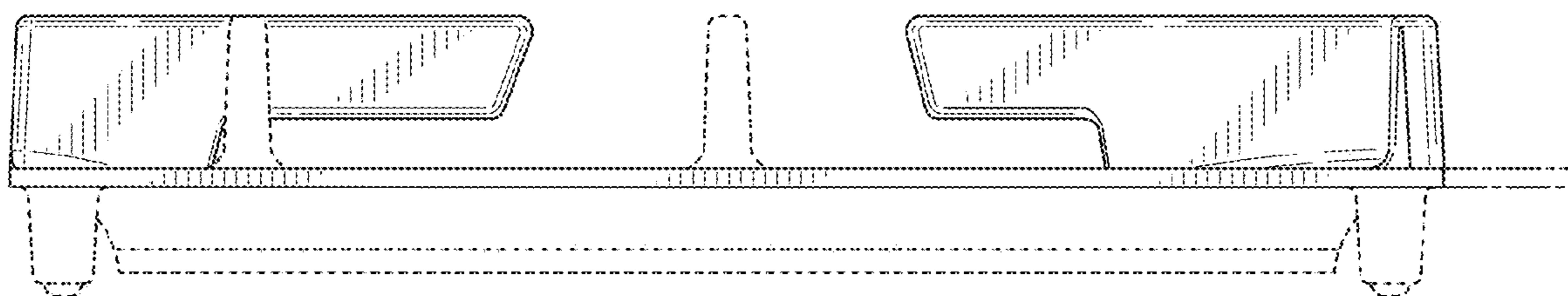


FIG. 8