



US00D917225S

(12) **United States Design Patent**
Huang

(10) **Patent No.:** **US D917,225 S**

(45) **Date of Patent:** **** Apr. 27, 2021**

- (54) **BOTTLE CAP**
- (71) Applicant: **RAJESH KOTHAMASU**, Pradesh (IN)
- (72) Inventor: **Dahai Huang**, Penglai Town (CN)
- (73) Assignee: **Rajesh Kothamasu**, Radesh (IN)
- (**) Term: **15 Years**
- (21) Appl. No.: **29/740,835**
- (22) Filed: **Jul. 7, 2020**
- (51) **LOC (13) Cl.** **07-99**
- (52) **U.S. Cl.**
USPC **D7/392.1; D7/396.2; D9/439; D9/443**
- (58) **Field of Classification Search**
USPC D9/434, 435, 439, 440, 442-450, D9/452-457, 499, 503-505, 682, 685, D9/686; D7/387, 391, 392, 392.1, 396.1, D7/396.2, 507, 509-511, 538, 900; D3/202, 203.2, 294, 318; D28/91, 91.1
CPC .. A61J 1/00; A61J 1/1412; B65D 1/00; B65D 1/02; B65D 1/10; B65D 1/46; B65D 5/46; B65D 41/00; B65D 41/38; B65D 41/56; B65D 41/62; B65D 47/00; B65D 47/06; B65D 47/08; B65D 2251/00; B65D 2543/00046; B65D 2543/00092; B65D 2543/00296
See application file for complete search history.

- D631,666 S * 2/2011 Lim D4/129
- D632,524 S * 2/2011 Rosbach D7/511
- D635,457 S * 4/2011 Lane D9/443
- D647,369 S * 10/2011 Bryman D7/507
- 8,215,511 B1 * 7/2012 Lin B65D 39/08
220/212.5
- D665,621 S * 8/2012 Eyal D7/392.1
- D677,119 S * 3/2013 Ying D7/392.1
- D680,431 S * 4/2013 Hopkins D9/443
- D708,954 S * 7/2014 Barnes D9/443
- D760,080 S 6/2016 Gorbald
- 9,505,527 B1 * 11/2016 Campbell B65D 23/0885
- D786,012 S * 5/2017 Hein D7/396.2
- D786,671 S * 5/2017 Khetarpaul D9/443
- D792,215 S * 7/2017 Eyal D7/392.1
- D796,261 S * 9/2017 Khalifa D7/392.1
- D804,304 S * 12/2017 Pearson D9/443
- D811,818 S * 3/2018 Wu D9/503
- D814,852 S * 4/2018 Melanson D7/391
- D819,396 S * 6/2018 Seiders D7/392.1
- D843,212 S * 3/2019 Seiders D9/443

(Continued)

Primary Examiner — Wendy L Arminio

(74) *Attorney, Agent, or Firm* — Law Offices of Steven W. Weinrieb

(57) **CLAIM**

The ornamental design for a bottle cap, as shown and described.

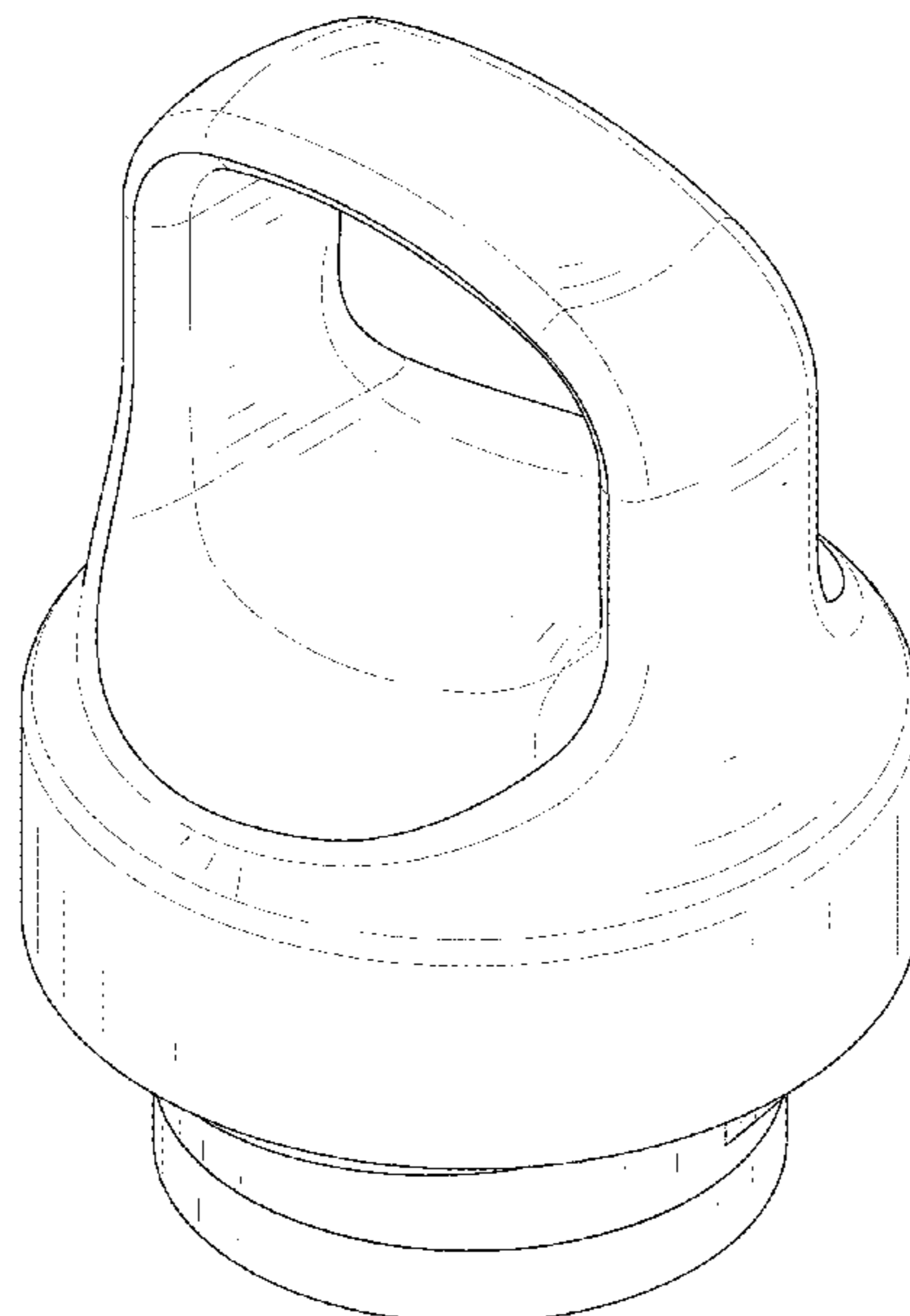
DESCRIPTION

FIG. 1 is a front, right side, top perspective view of a bottle cap showing my new design;
 FIG. 2 is a rear, left side, bottom perspective view thereof;
 FIG. 3 is a front elevational view thereof;
 FIG. 4 is a rear elevational view thereof;
 FIG. 5 is a left side elevational view thereof;
 FIG. 6 is a right side elevational view thereof;
 FIG. 7 is a top plan view thereof; and,
 FIG. 8 is a bottom plan view thereof.

1 Claim, 8 Drawing Sheets

(56) **References Cited**
U.S. PATENT DOCUMENTS

- D458,134 S * 6/2002 Berish D9/443
- D616,743 S * 6/2010 Cresswell D9/443
- D620,798 S 8/2010 Cresswell et al.
- D621,257 S * 8/2010 Gullickson D9/443
- D621,258 S * 8/2010 Gullickson D9/443
- D628,486 S * 12/2010 Lane D9/503



(56)

References Cited

U.S. PATENT DOCUMENTS

D850,849 S * 6/2019 Ke D7/396.2
D853,236 S * 7/2019 Yao D9/439
D853,237 S * 7/2019 Yao D9/439
D855,386 S 8/2019 Tammen et al.
D857,446 S 8/2019 Bell et al.
D860,715 S * 9/2019 Bohman D7/392.1
D860,719 S * 9/2019 Eyal D7/392.1
D862,228 S * 10/2019 Yao D9/443
D868,534 S 12/2019 Lin
D880,230 S * 4/2020 Jacobsen D7/396.2
D900,555 S * 11/2020 Chui D7/619.1
2012/0199548 A1 * 8/2012 Kitto B65D 55/16
215/316
2018/0194537 A1 * 7/2018 Chan B65D 81/3881

* cited by examiner

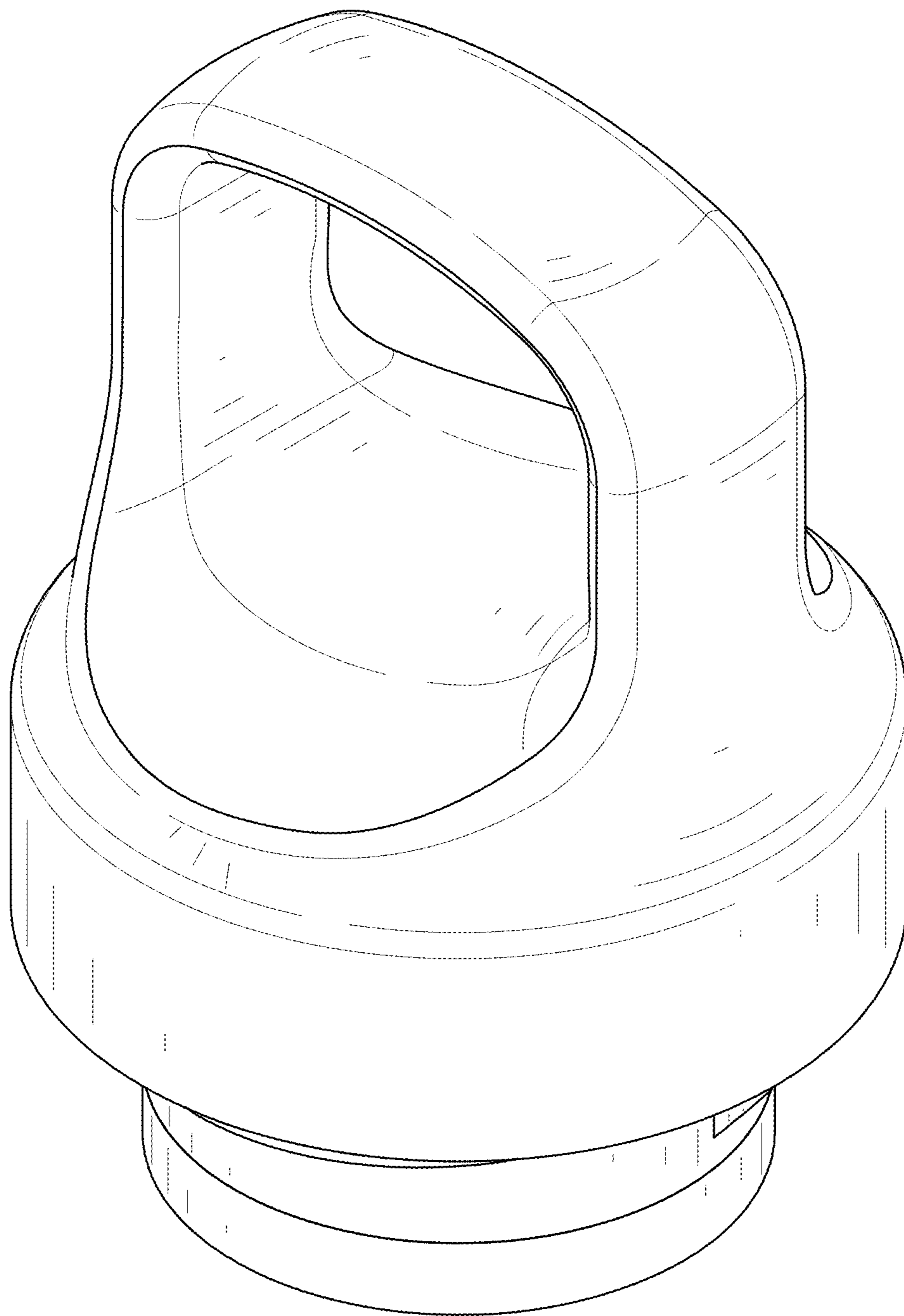


FIG. 1

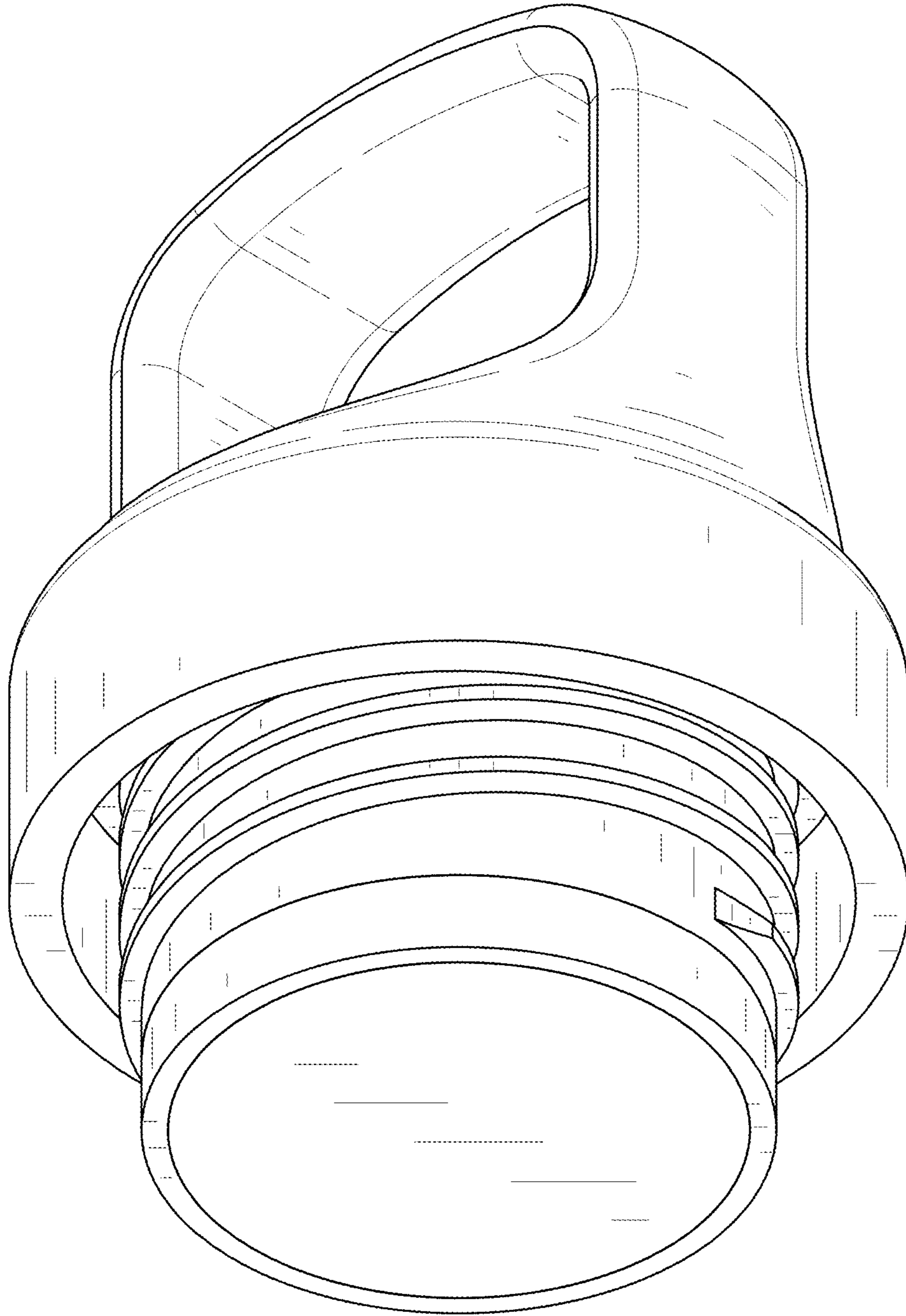


FIG. 2

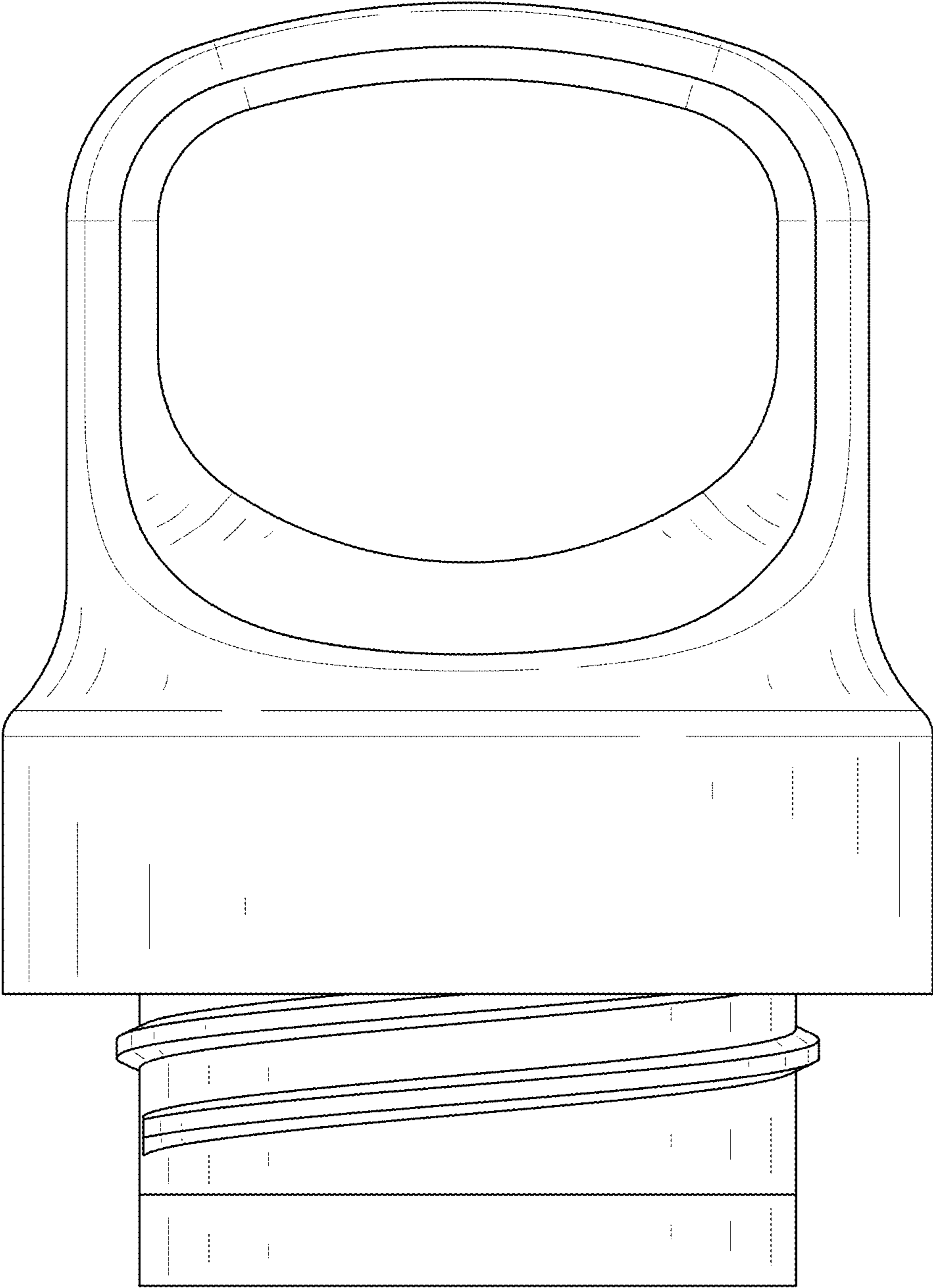


FIG. 3

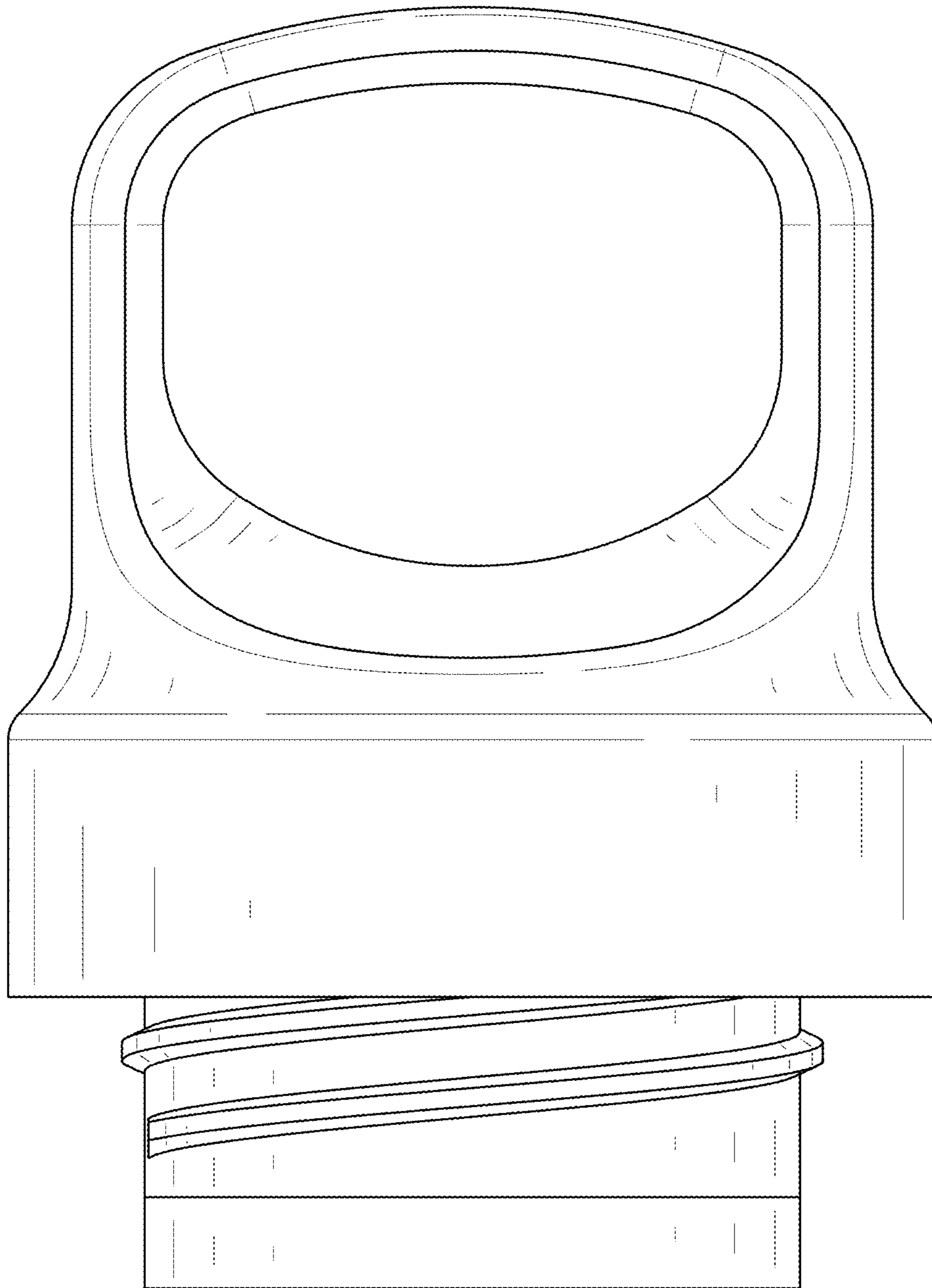


FIG. 4

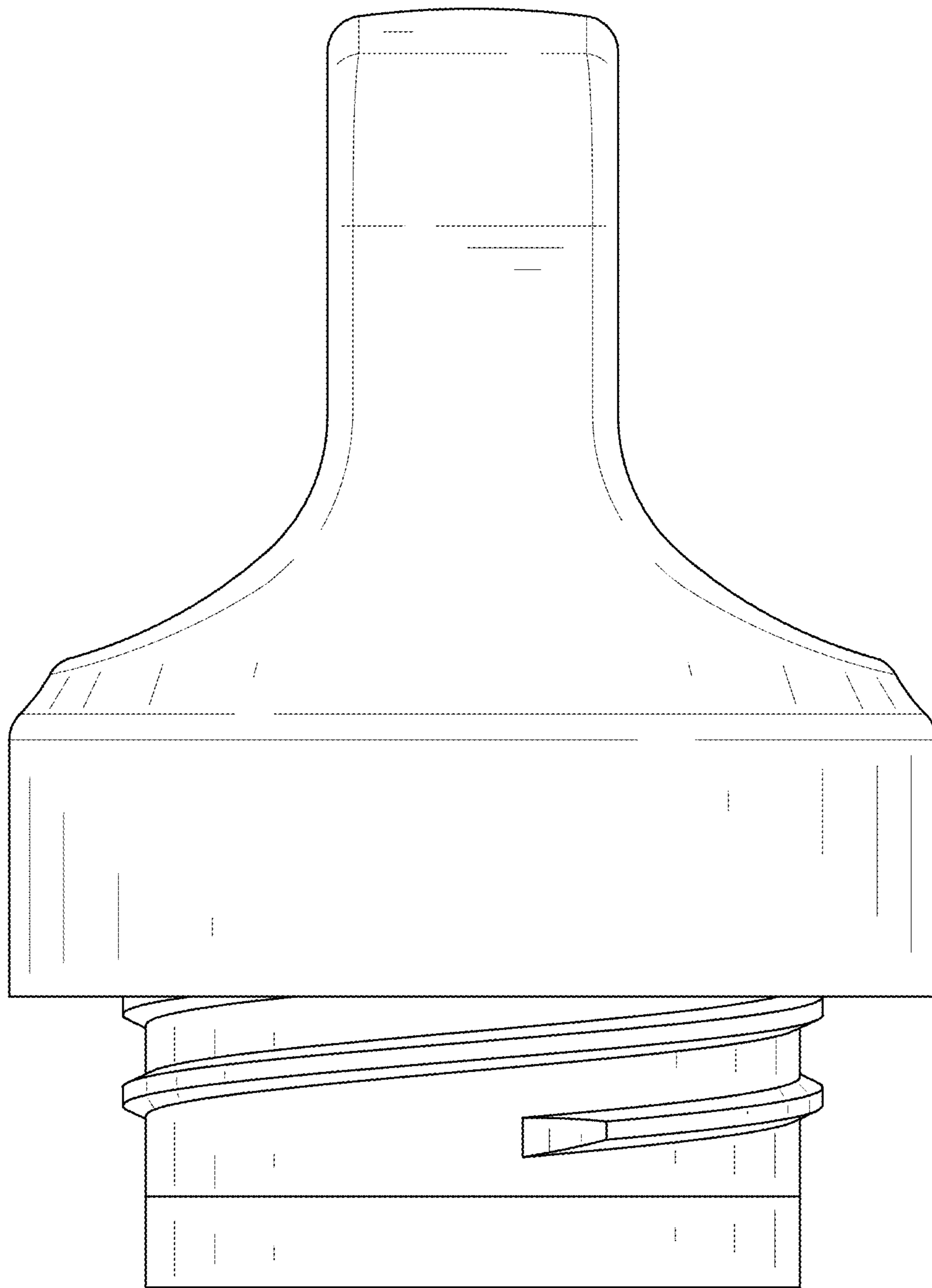


FIG. 5

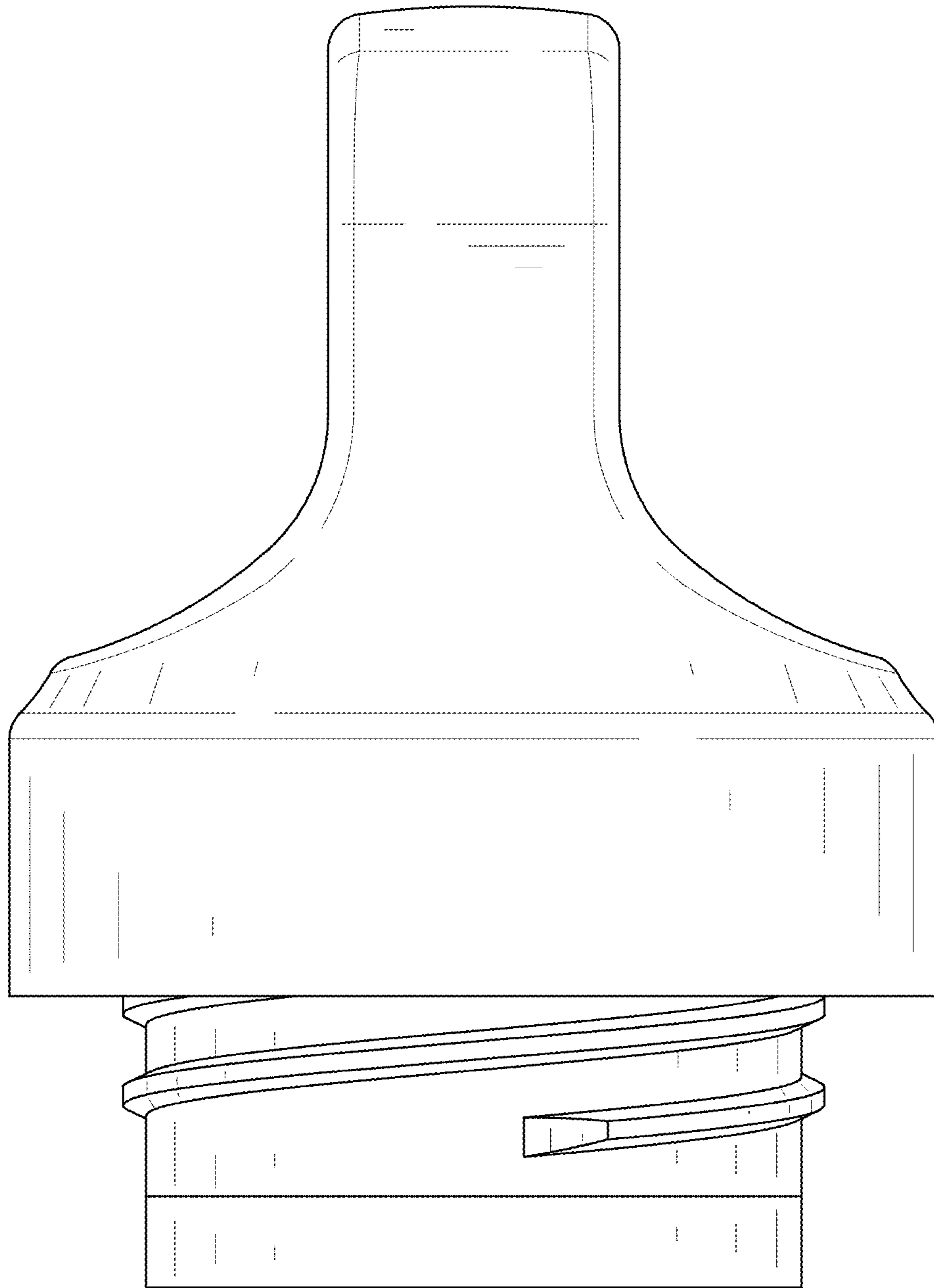


FIG. 6

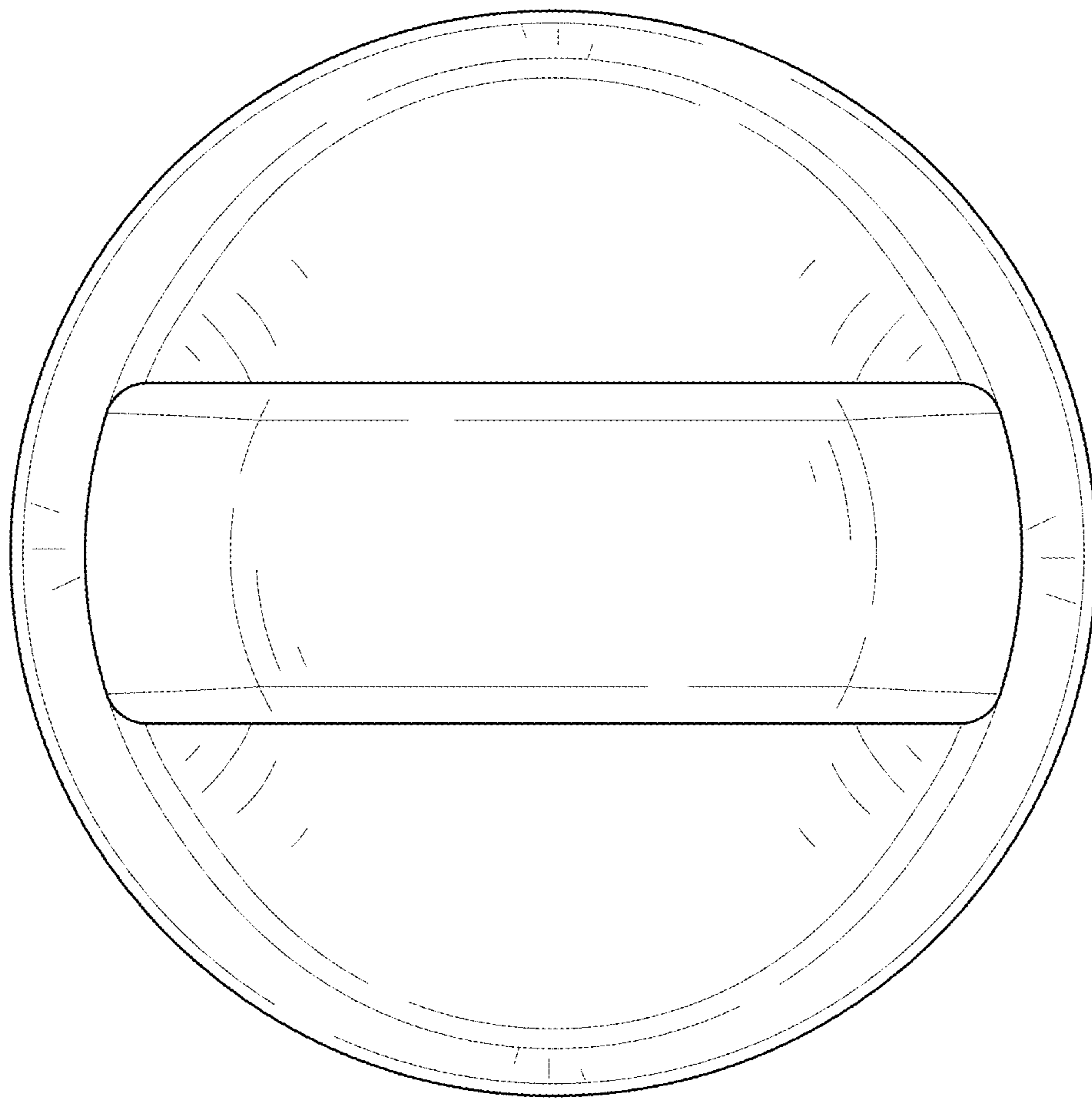


FIG. 7

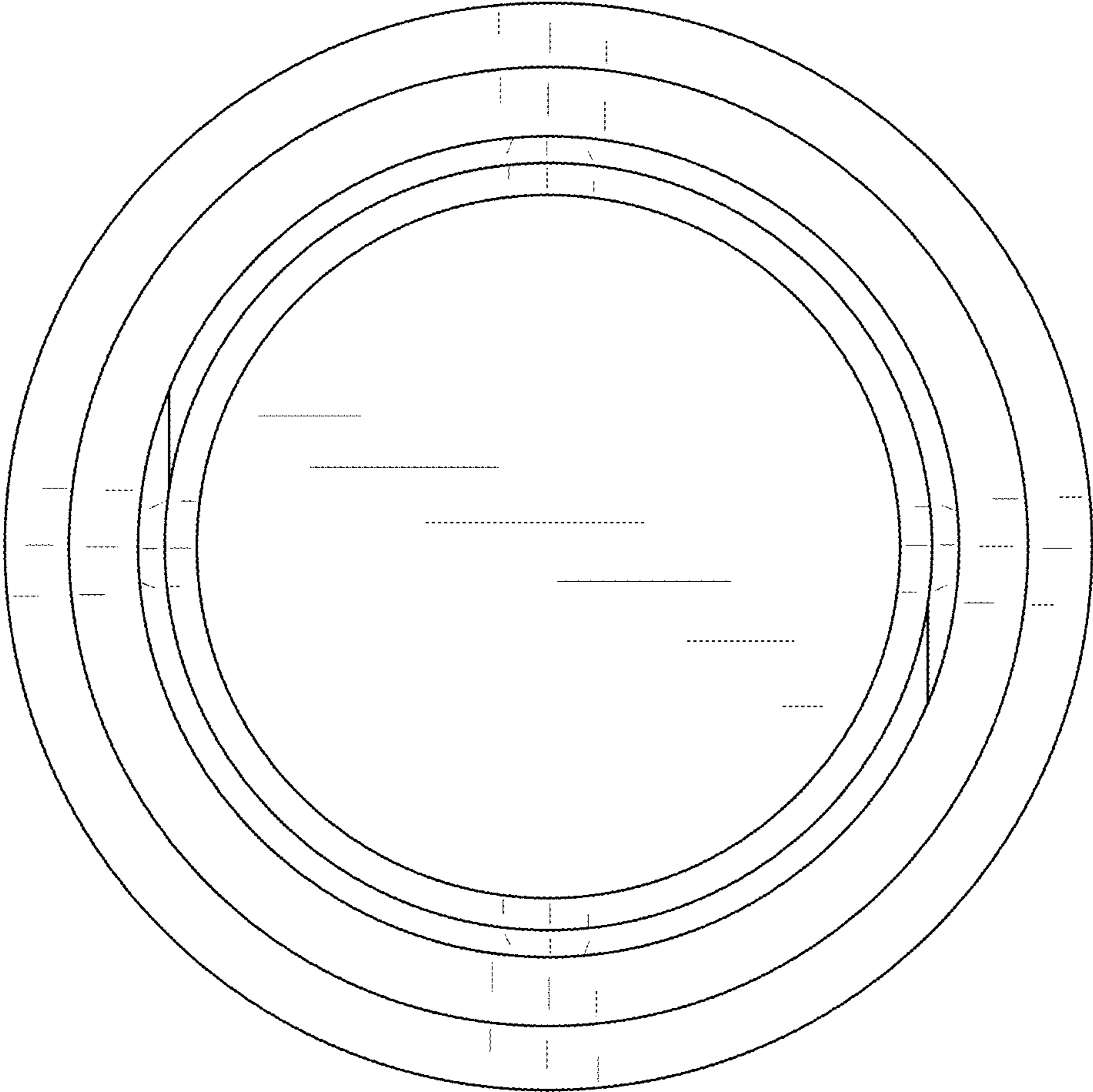


FIG. 8