



US00D917224S

(12) **United States Design Patent** (10) **Patent No.:** **US D917,224 S**
Kubota et al. (45) **Date of Patent:** **** Apr. 27, 2021**

(54) **BOTTLE BARRIER**
(71) Applicant: **Green Sprouts, Inc.**, Asheville, NC (US)
(72) Inventors: **Emi Kubota**, Asheville, NC (US); **Becky B. Cannon**, Asheville, NC (US)
(73) Assignee: **Green Sprouts, Inc.**, Asheville, NC (US)

D623,941 S * 9/2010 Bendix D9/447
D624,356 S * 9/2010 Davies D7/392.1
D625,772 S * 10/2010 Olson D23/207
D631,945 S * 2/2011 Shorey D23/233
D642,915 S * 8/2011 Swingle D9/440
D742,214 S * 11/2015 Yuan D8/399
D795,685 S * 8/2017 Rodenhouse D8/399
D848,612 S * 5/2019 Mozzicato D24/121
D849,884 S * 5/2019 Oh D23/207
D865,520 S * 11/2019 Lofholm D9/447
D889,594 S * 7/2020 Fangman D23/207

(Continued)

(**) Term: **15 Years**
(21) Appl. No.: **29/707,690**
(22) Filed: **Sep. 30, 2019**
(51) **LOC (13) Cl.** **07-99**
(52) **U.S. Cl.**
USPC **D7/392.1**
(58) **Field of Classification Search**
USPC D7/300.1, 387, 388, 391, 392, 392.1, D7/393, 394, 395, 396.1, 396.2, 396.6, D7/397, 398, 403, 509, 510, 511, 566, D7/624.1, 625, 672, 900; D9/434, 435, D9/436, 437, 438, 443, 448, 449, 450, D9/451, 454, 453, 516, 529, 548, 685, D9/686, 723, 730, 763; D23/206, 209, D23/259, 260, 365; D24/121
CPC .. A01G 31/02; A01G 9/0293; B65D 43/0231; B65D 51/24; B65D 47/06; B65D 47/36; B65D 47/247; B65D 47/265; B65D 47/283; B65D 47/08; B65D 47/065; B65D 47/361; B65D 41/34; B65D 53/02; B65D 50/041; A61J 1/16; F16B 47/00
See application file for complete search history.

FOREIGN PATENT DOCUMENTS

CN 88211712 U 12/1988
CN 200998428 Y 1/2008
GB 2382069 A 5/2003

OTHER PUBLICATIONS

Silicone Safety Shield: Site Visited [Sep. 27, 2020]. Available from Internet URL: <https://greensproutsbaby.com/collections/feeding/products/safety-shield-made-from-silicone>.*

Primary Examiner — Catherine S Posthauer
(74) *Attorney, Agent, or Firm* — Luedeka Neely Group, PC

(57) **CLAIM**

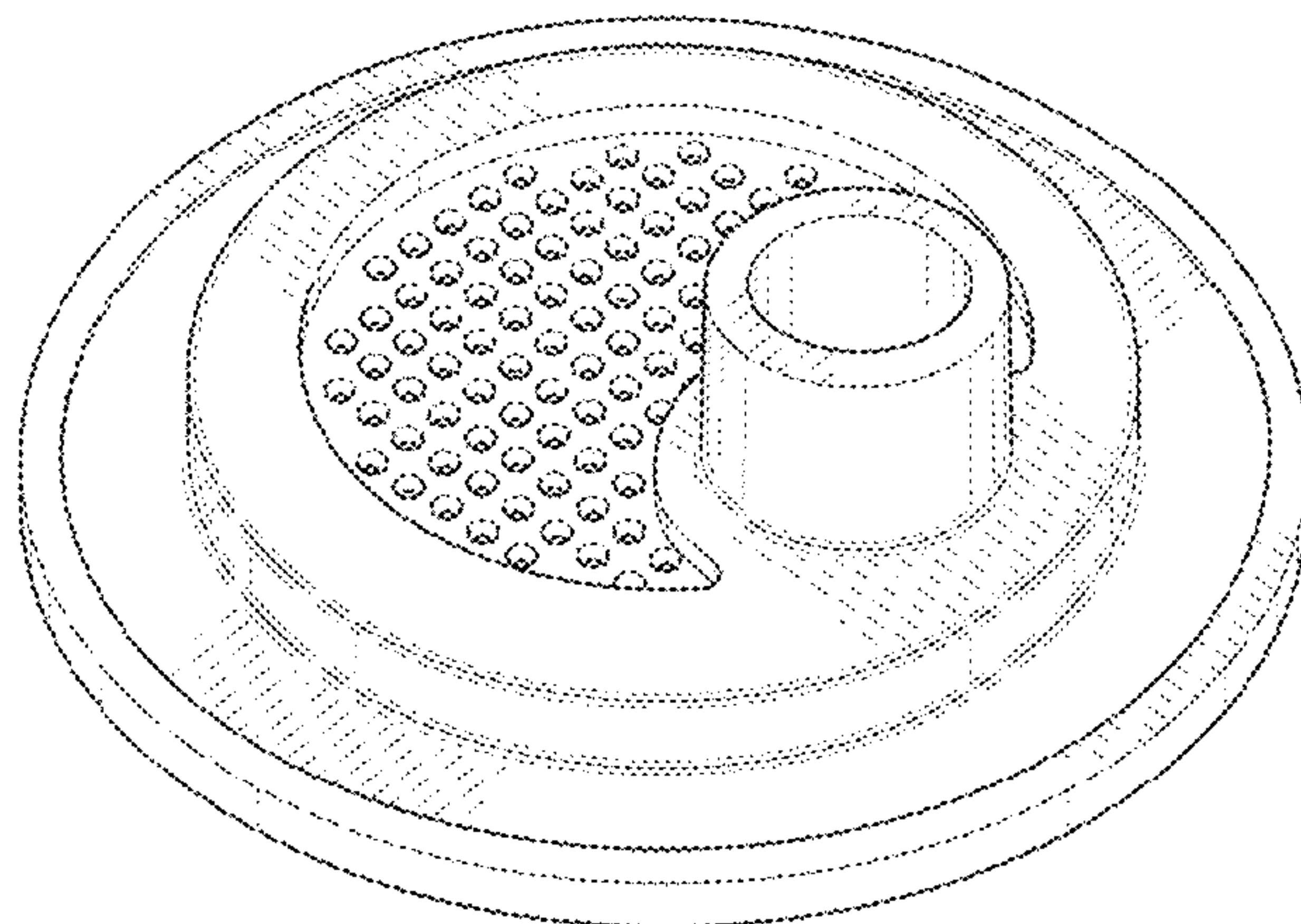
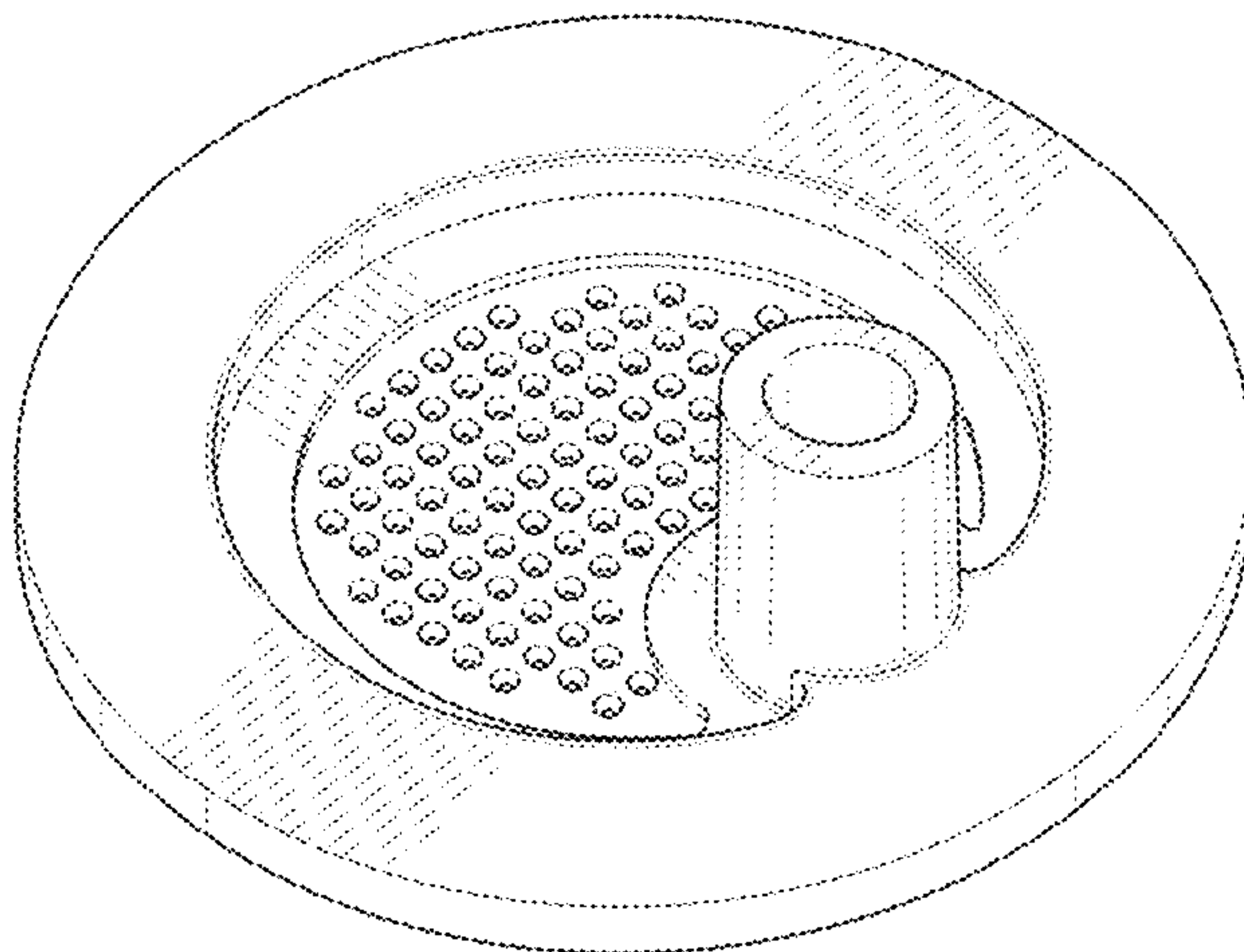
The ornamental design for a bottle barrier, as shown and described.

DESCRIPTION

FIG. 1 is a top perspective view of a bottle barrier showing our new design;
FIG. 2 is a bottom perspective view thereof;
FIG. 3 is a front view thereof;
FIG. 4 is a rear view thereof;
FIG. 5 is a left side view thereof;
FIG. 6 is a right side view thereof;
FIG. 7 is a top plan view thereof; and,
FIG. 8 is a bottom plan view thereof.

1 Claim, 5 Drawing Sheets

(56) **References Cited**
U.S. PATENT DOCUMENTS
1,204,171 A 11/1916 McKay
D339,524 S * 9/1993 Morris, Sr. D9/435
D609,786 S * 2/2010 Grether D23/249
D612,905 S * 3/2010 Genord D23/208



(56)

References Cited

U.S. PATENT DOCUMENTS

2008/0305226 A1 12/2008 Catena et al.
2018/0028005 A1* 2/2018 Wang-Wu B65D 81/366
2019/0008105 A1* 1/2019 Bacher B65D 51/24

* cited by examiner

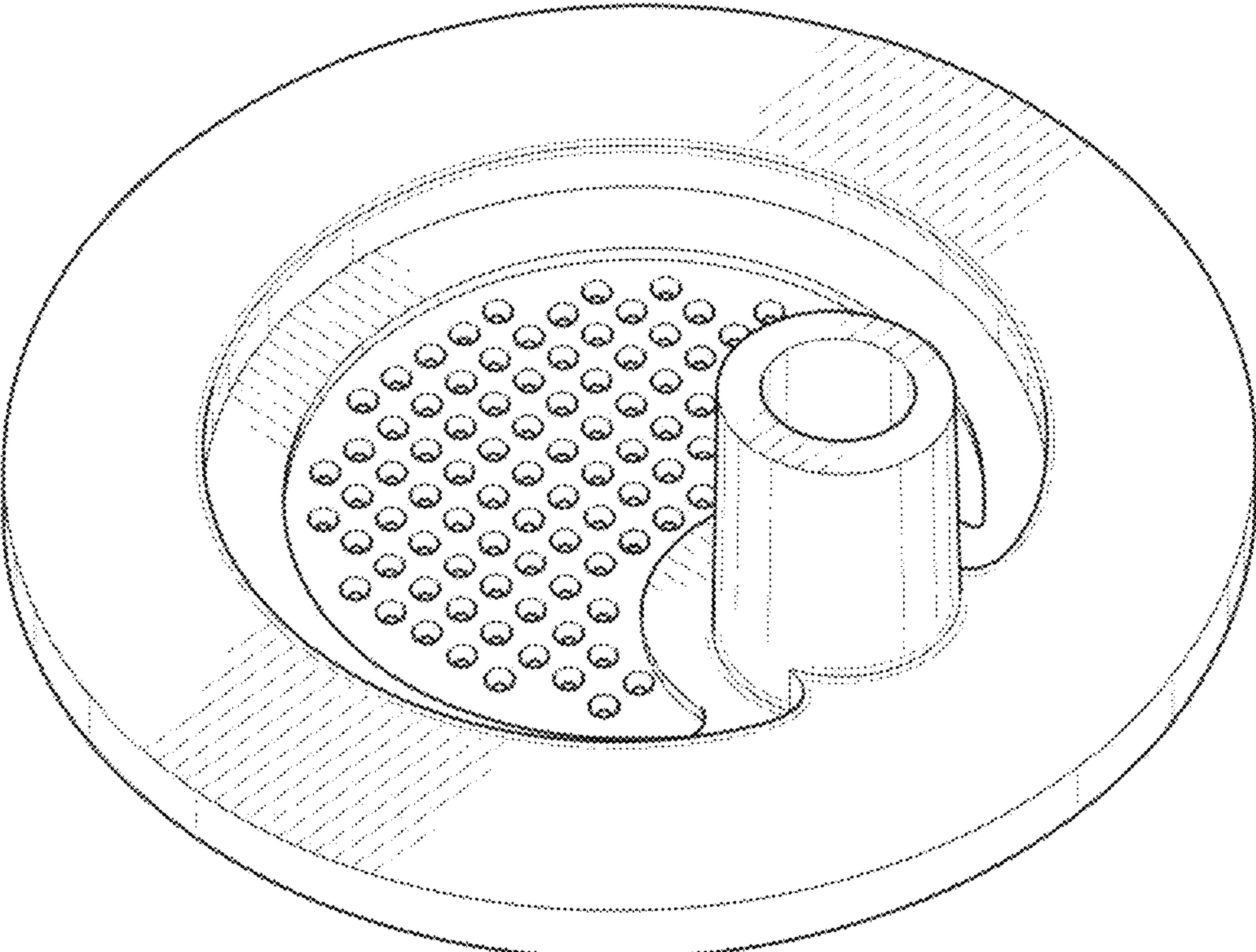


FIG. 1

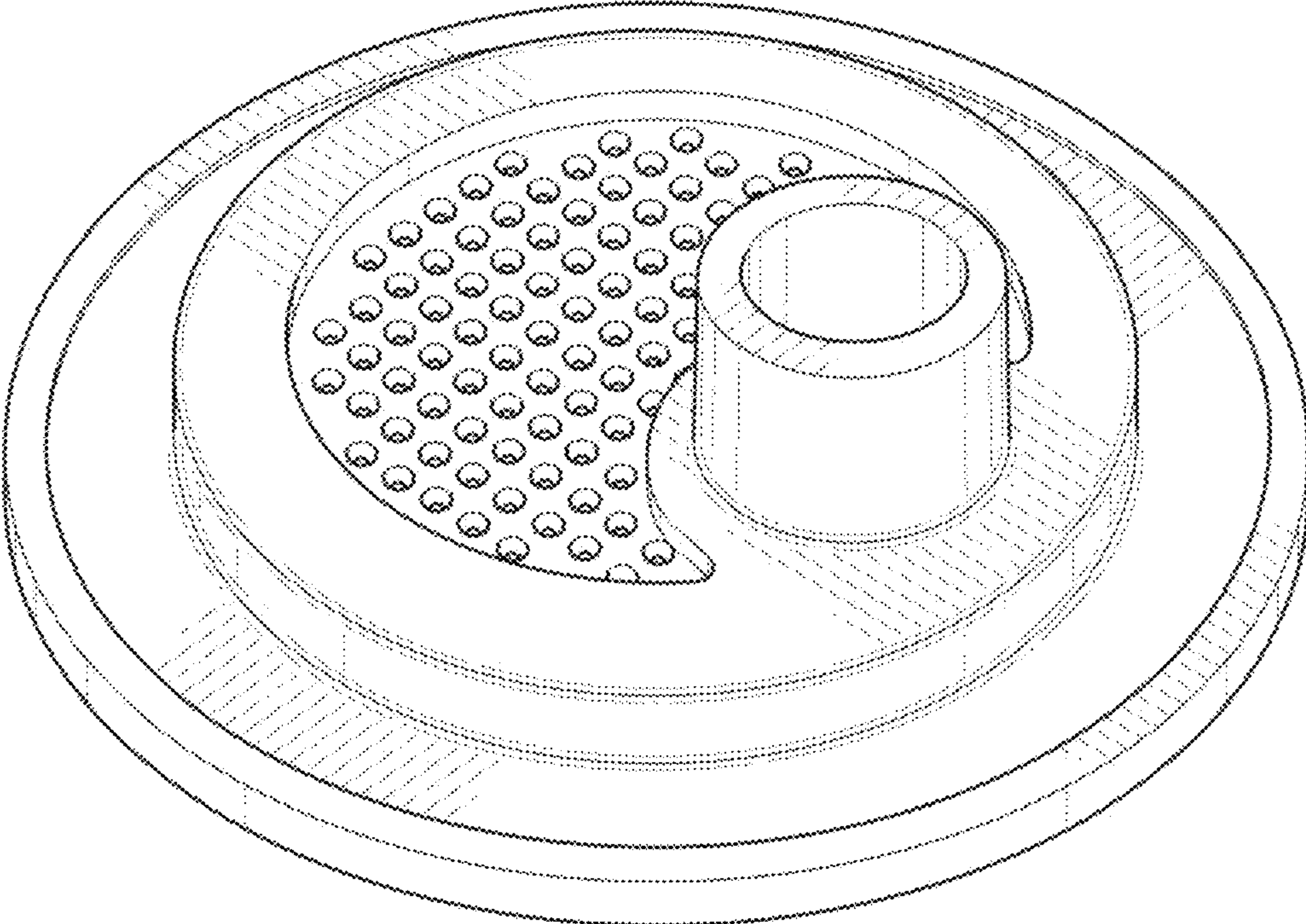


FIG. 2

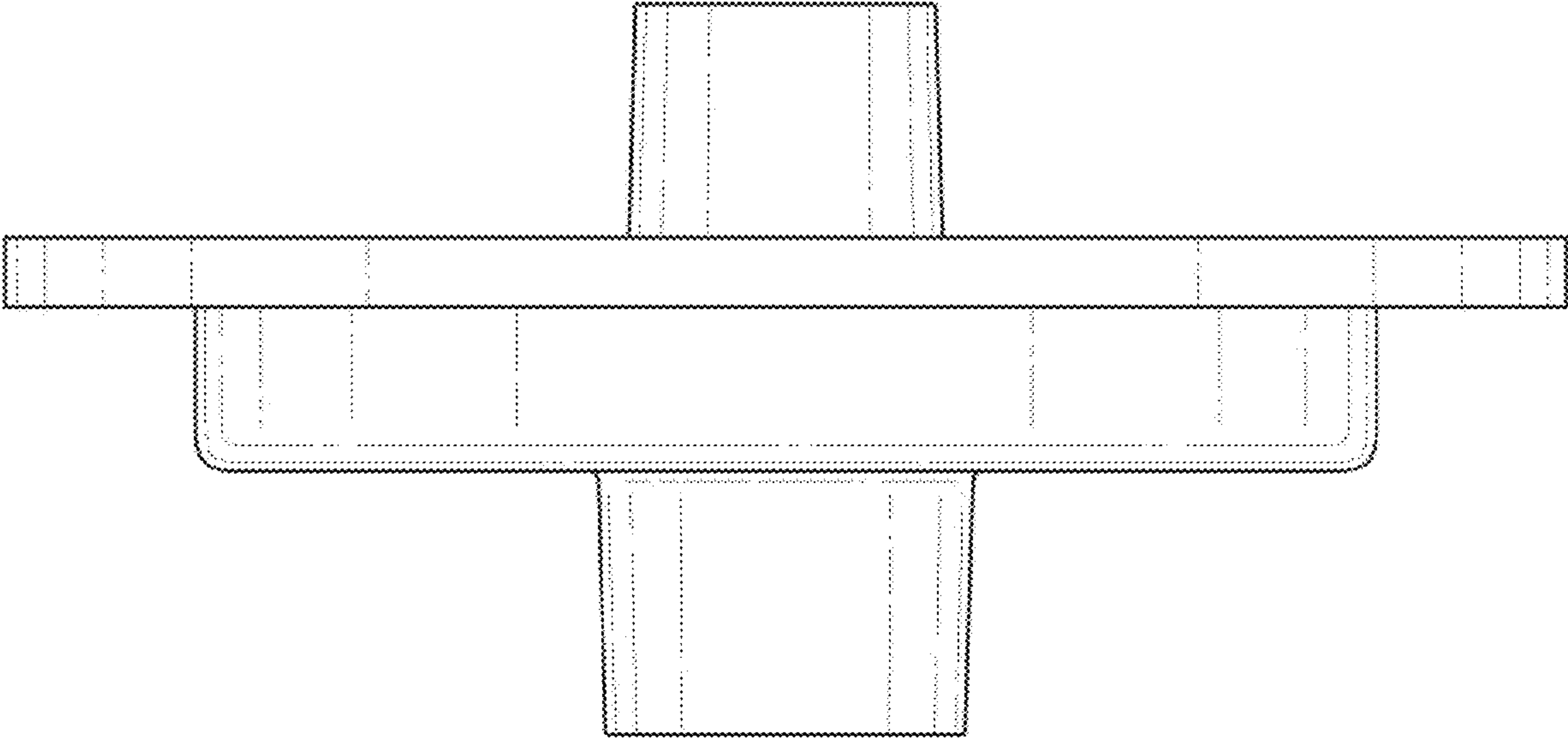


FIG. 3

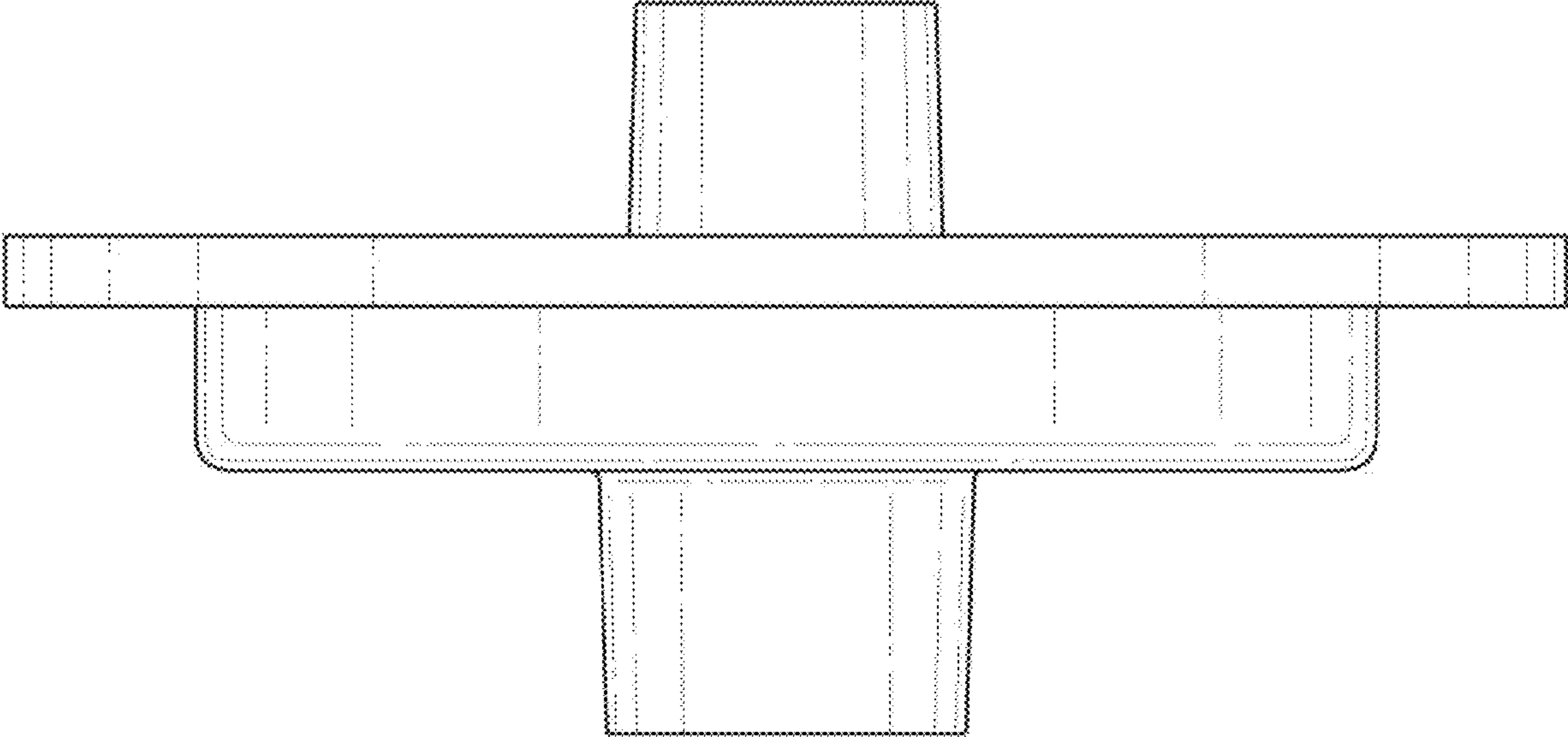


FIG. 4

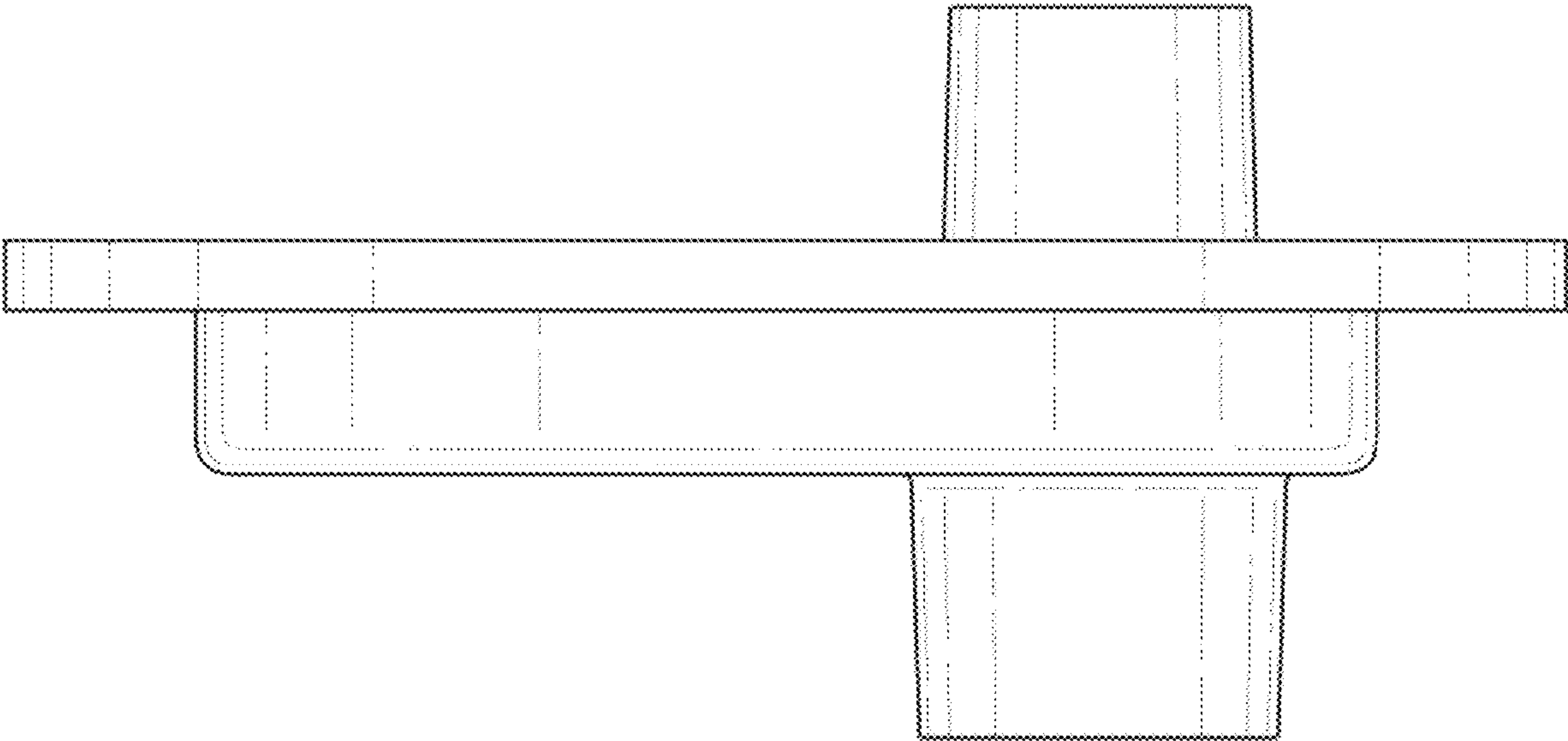


FIG. 5

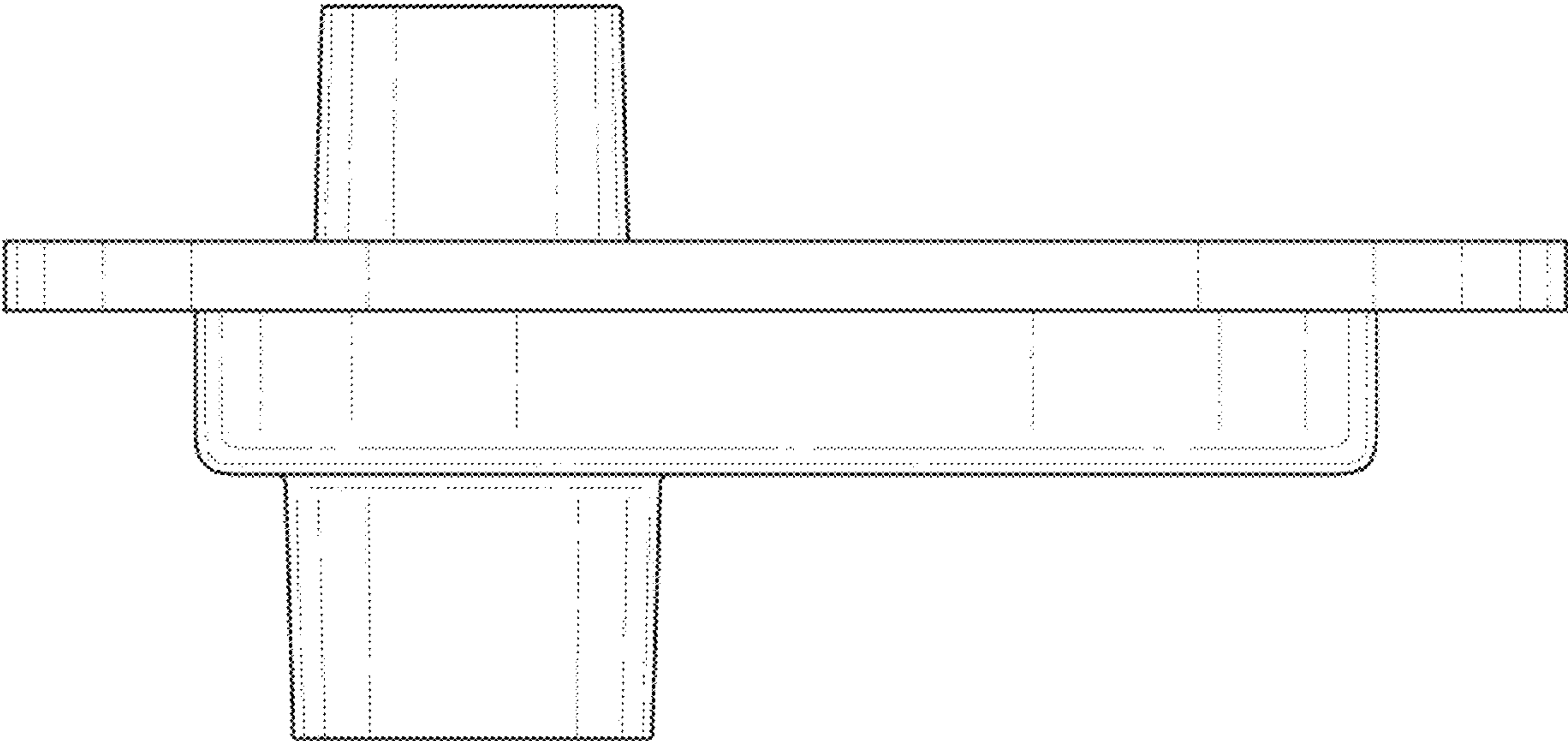


FIG. 6

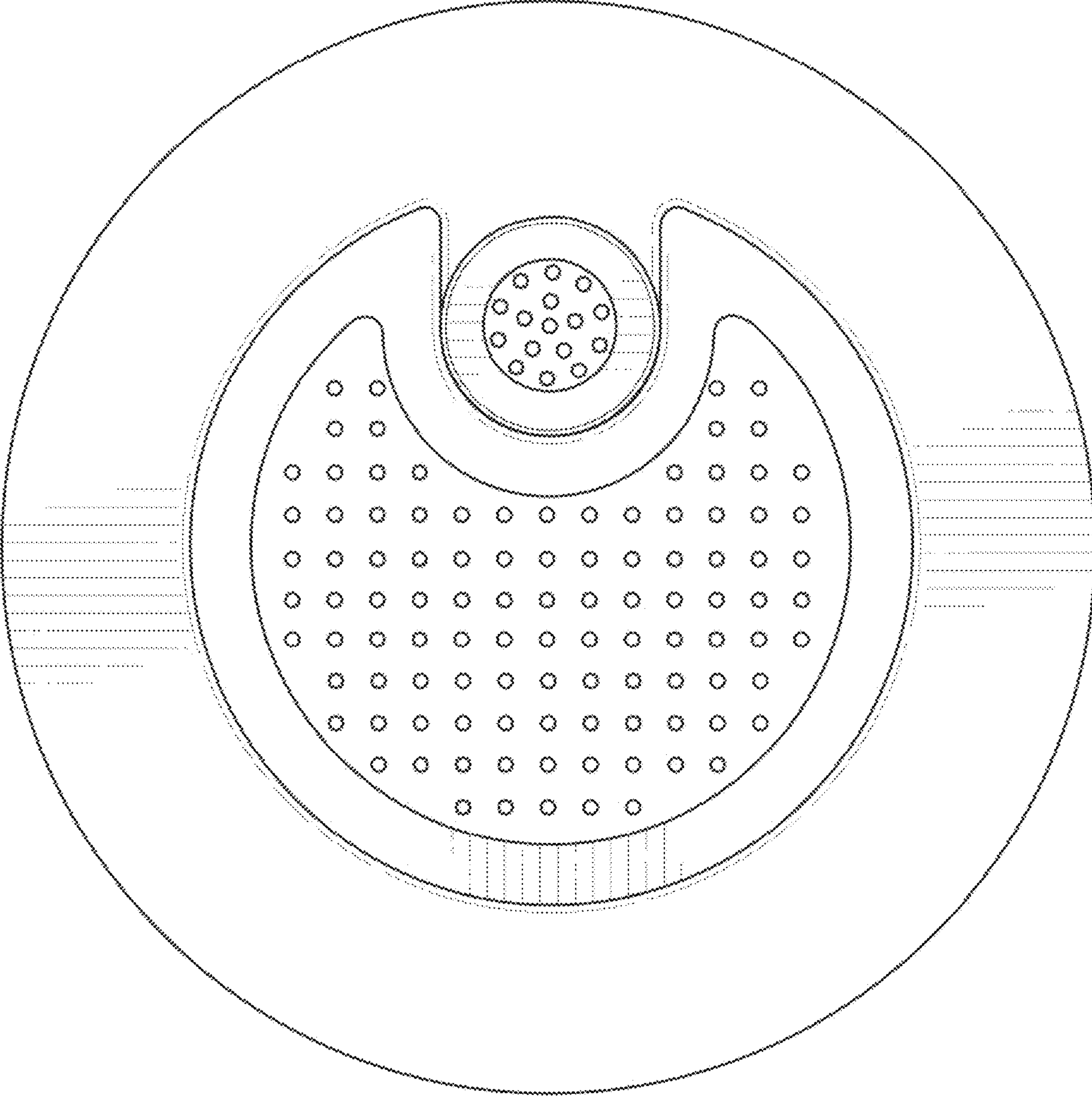


FIG. 7

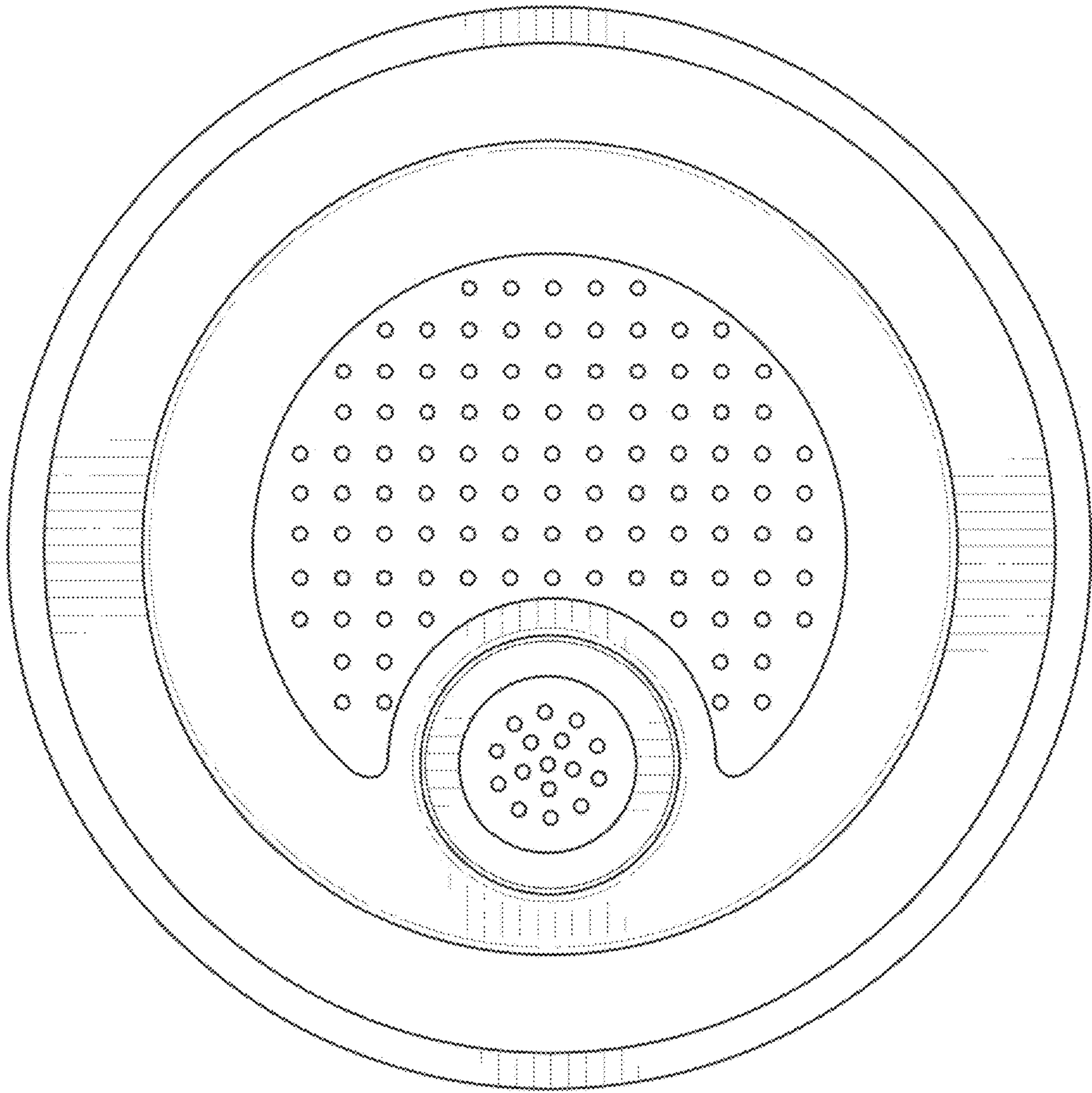


FIG. 8