



US00D917222S

(12) **United States Design Patent**
Caswell et al.

(10) **Patent No.:** **US D917,222 S**

(45) **Date of Patent:** **** Apr. 27, 2021**

(54) **MICROWAVE MUG COOKER DEVICE**

(71) Applicant: **Enhance Product Development, Inc.**,
Minneapolis, MN (US)

(72) Inventors: **Ty Joseph Caswell**, Zimmerman, MN
(US); **Trevor Lambert**, Brooklyn Park,
MN (US); **Jonathan Dunn**, Maple
Grove, MN (US)

(73) Assignee: **ENHANCE PRODUCT
DEVELOPMENT**, Minneapolis, MN
(US)

(**) Term: **15 Years**

(21) Appl. No.: **29/703,128**

(22) Filed: **Aug. 23, 2019**

Related U.S. Application Data

(63) Continuation of application No. 15/723,733, filed on
Oct. 3, 2017, now abandoned.

(51) **LOC (13) Cl.** **07-02**

(52) **U.S. Cl.**
USPC **D7/361; D7/354**

(58) **Field of Classification Search**
USPC D7/318, 323, 354–363, 391, 393–396,
D7/409, 543, 545; D10/46.2
CPC A47G 19/12; A47J 27/00; A47J 27/002;
A47J 27/08; A47J 27/21; A47J 27/58;
A47J 36/025; A47J 36/06; A47J 36/08;
A47J 36/12; A47J 37/00; A47J 37/10;
A47J 37/101; A47J 37/103; A47J 37/12;
A47J 37/1204; A47J 45/061; A47J
45/071; A47J 45/08; H05B 6/12
See application file for complete search history.

(56) **References Cited**

U.S. PATENT DOCUMENTS

1,225,047 A * 5/1917 Milligan A47J 36/08
210/469
1,875,277 A 8/1932 Sweeney

2,722,173 A 11/1955 Cunningham
D200,332 S * 2/1965 Lee D7/360
4,413,167 A 11/1983 Martel et al.
5,293,021 A 3/1994 Davis
D360,556 S * 7/1995 DeCoster D7/317
D586,611 S * 2/2009 Solis D7/354

(Continued)

Primary Examiner — Ricky Pham

(74) *Attorney, Agent, or Firm* — José W. Jimenez;
Jimenez Law Firm

(57) **CLAIM**

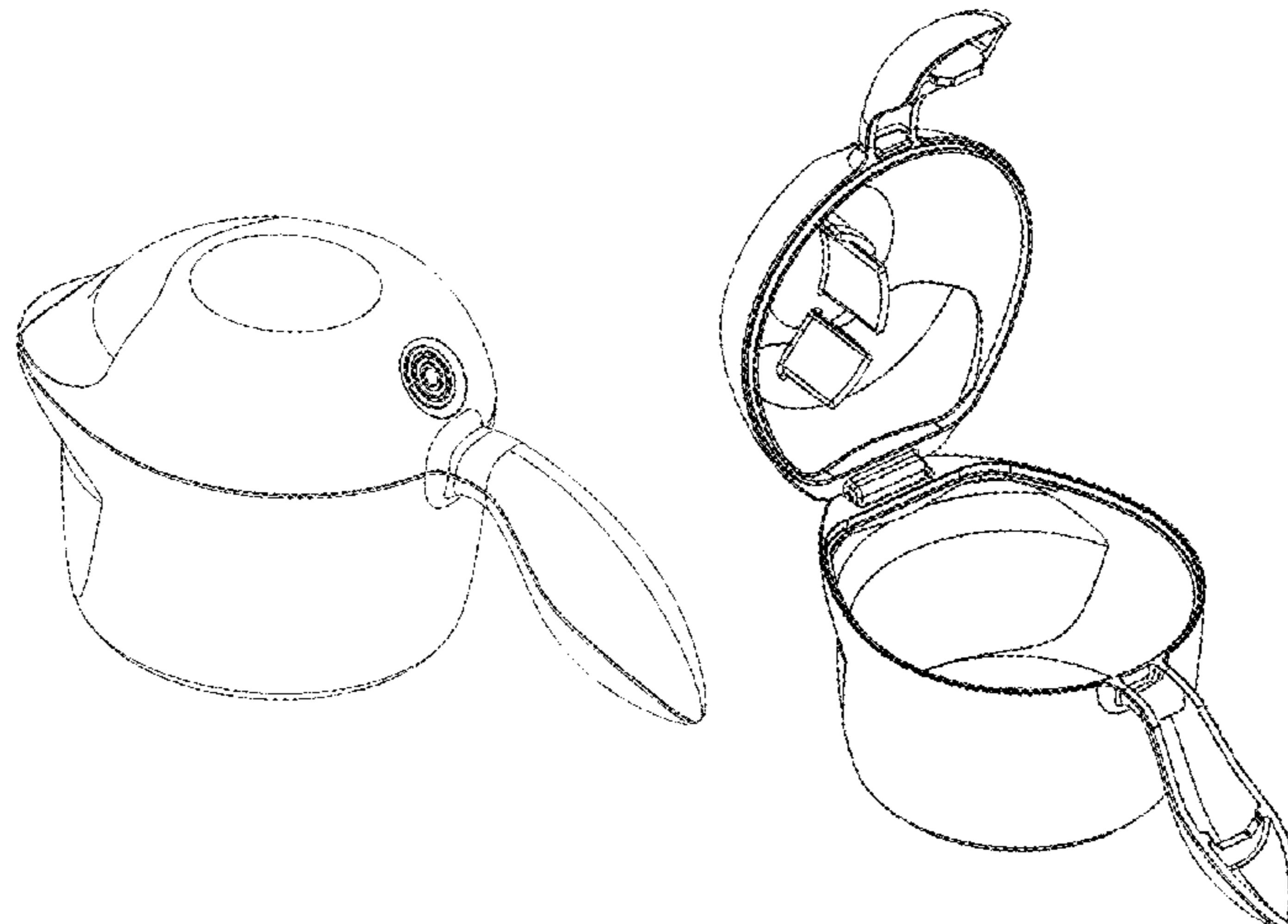
The ornamental design for a microwave mug cooker device,
as shown and described.

DESCRIPTION

A portion of the disclosure of this patent document contains
material which is subject to copyright protection. The copy-
right owner has no objection to the facsimile reproduction
by any one of the patent document or the patent disclosure,
as it appears in the Patent and Trademark Office patent file
or records, but otherwise reserves all copyright rights what-
soever.

FIG. 1 is a perspective view of a mug cooker showing our
new design;
FIG. 2 is a perspective view of a mug cooker in a two-
member open configuration;
FIG. 3 is a perspective view of a bottom member of the mug
cooker;
FIG. 4 is a perspective view of a top member of the mug
cooker;
FIG. 5 is a front perspective view of a mug cooker;
FIG. 6 is a top view of a mug cooker
FIG. 7 is a right side view of the mug cooker;
FIG. 8 is a left side view of the mug cooker;
FIG. 9 is a rear view of the mug cooker; and,
FIG. 10 is a bottom view of the mug cooker.

1 Claim, 10 Drawing Sheets



(56)

References Cited

U.S. PATENT DOCUMENTS

D653,902	S *	2/2012	Chen	D7/361
D660,186	S *	5/2012	Williams	D10/46.2
D664,004	S *	7/2012	Benishai	D7/543
D673,426	S *	1/2013	Heiberg	D7/545
D712,702	S *	9/2014	Stamper	D7/543
D812,414	S *	3/2018	Kastner	D7/361
D829,490	S *	10/2018	Dhirmalani	D7/361
2002/0041920	A1	4/2002	Fernandez		
2014/0319152	A1 *	10/2014	Suck	A47J 27/002 220/573.1
2018/0092487	A1 *	4/2018	Caswell	A47J 36/16

* cited by examiner

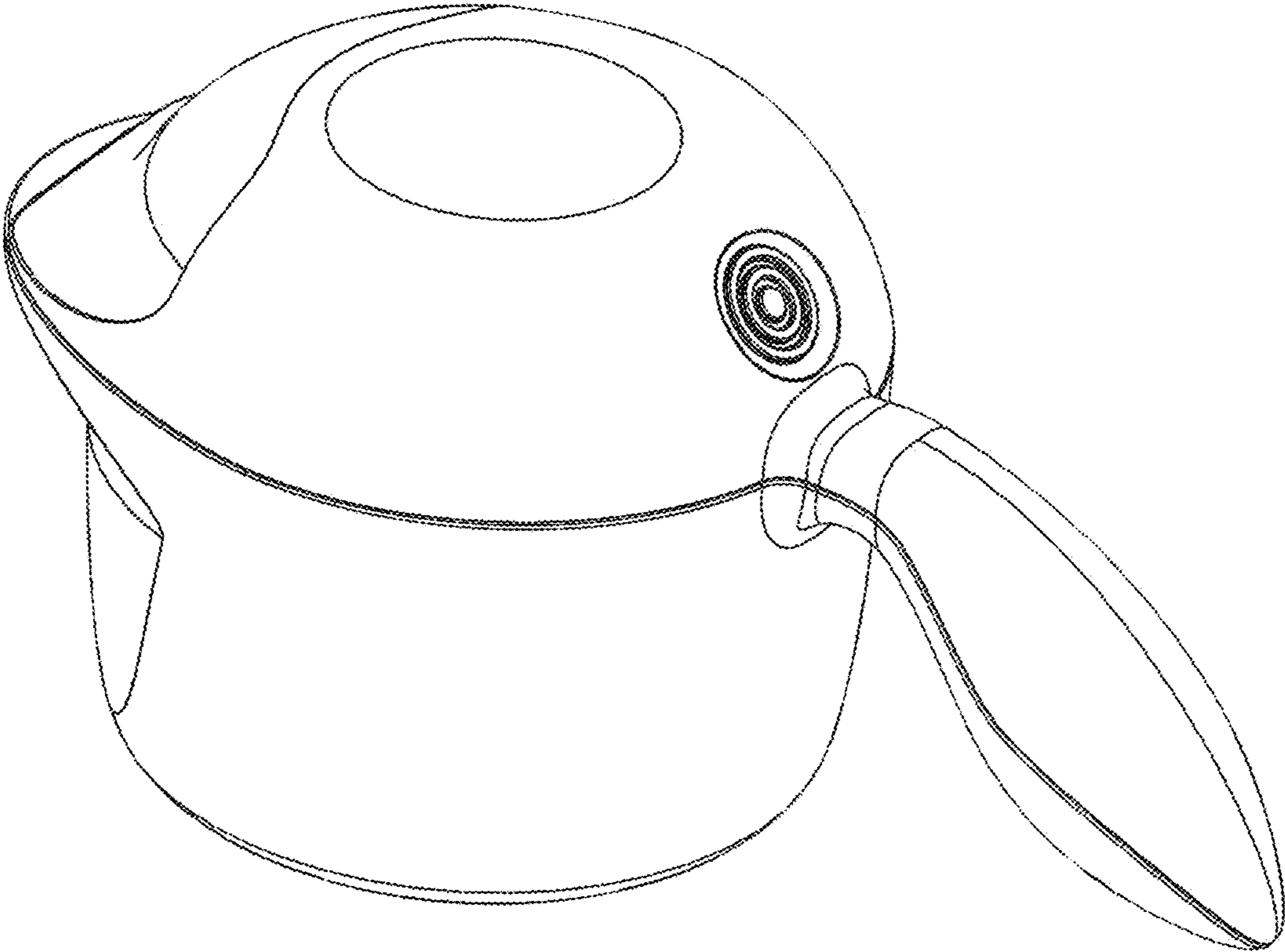


FIG. 1

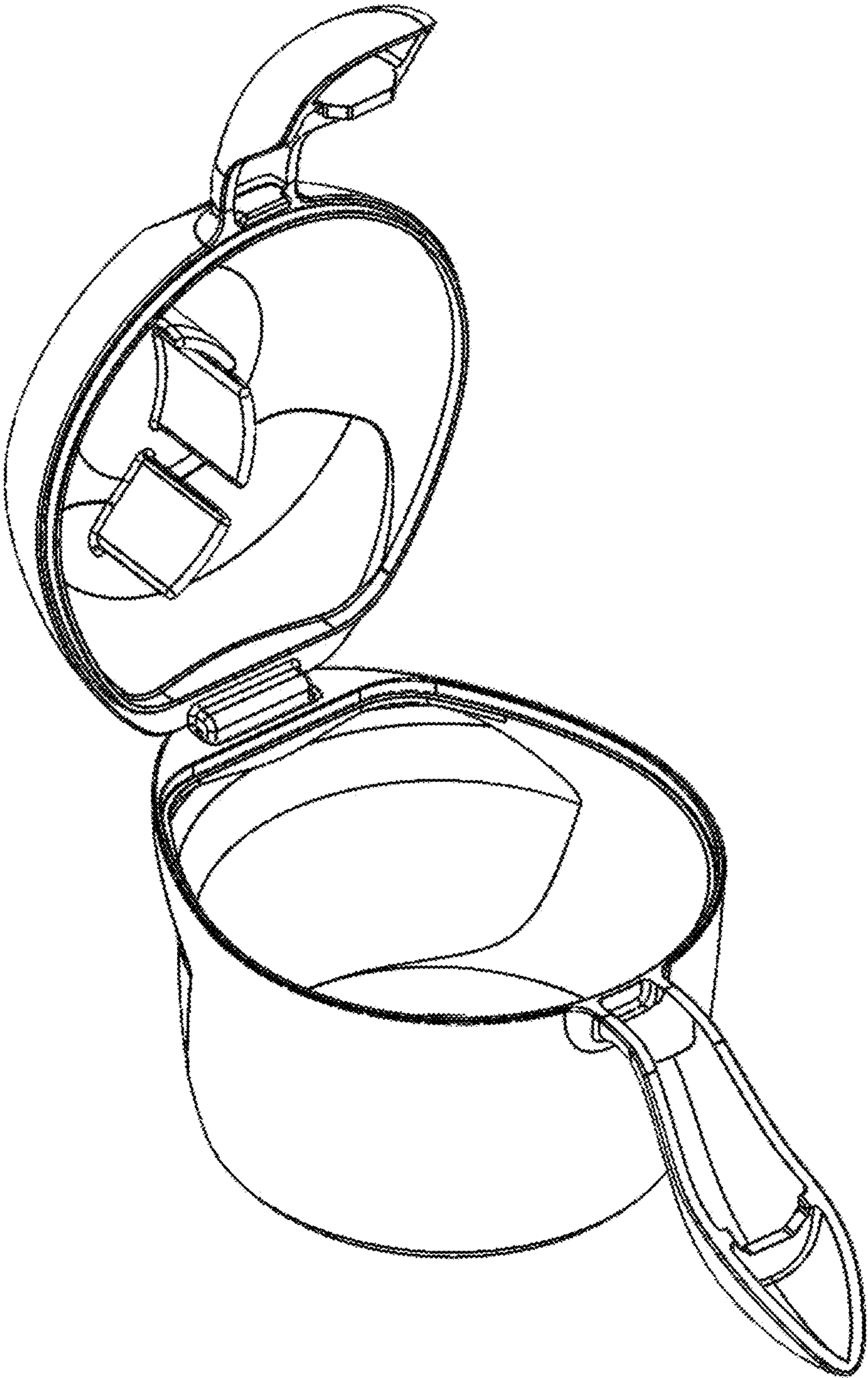


FIG. 2

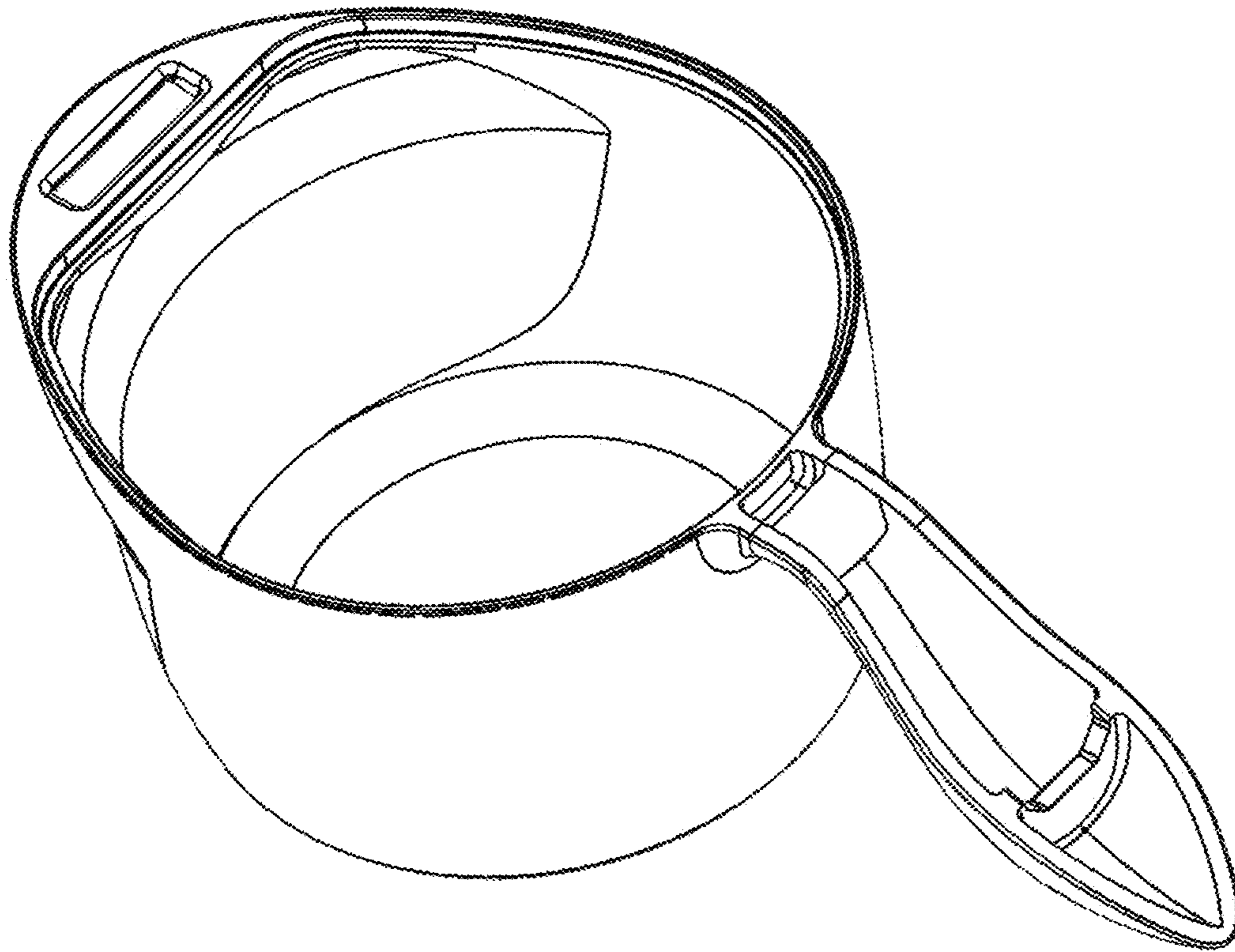


FIG. 3

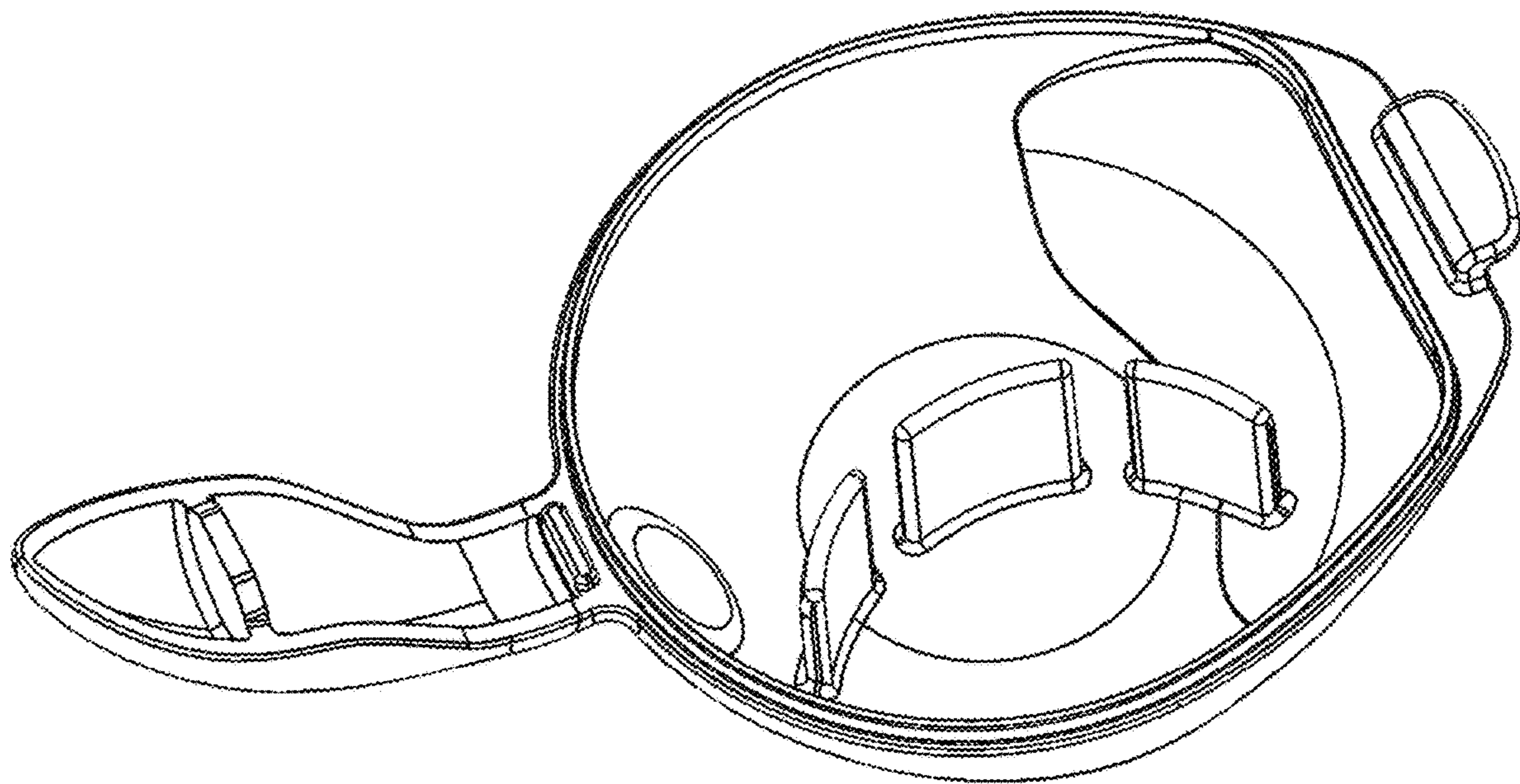


FIG. 4

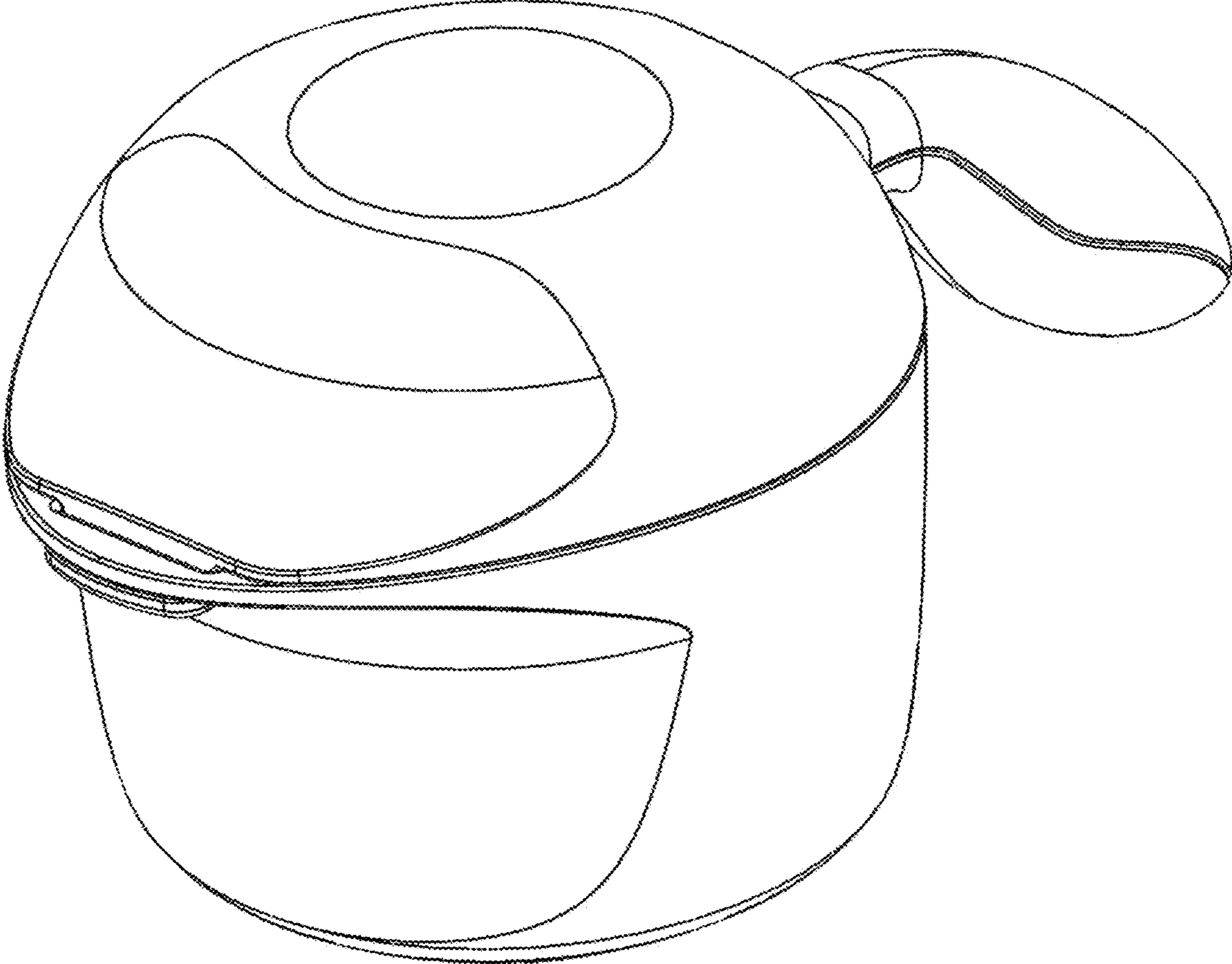


FIG. 5

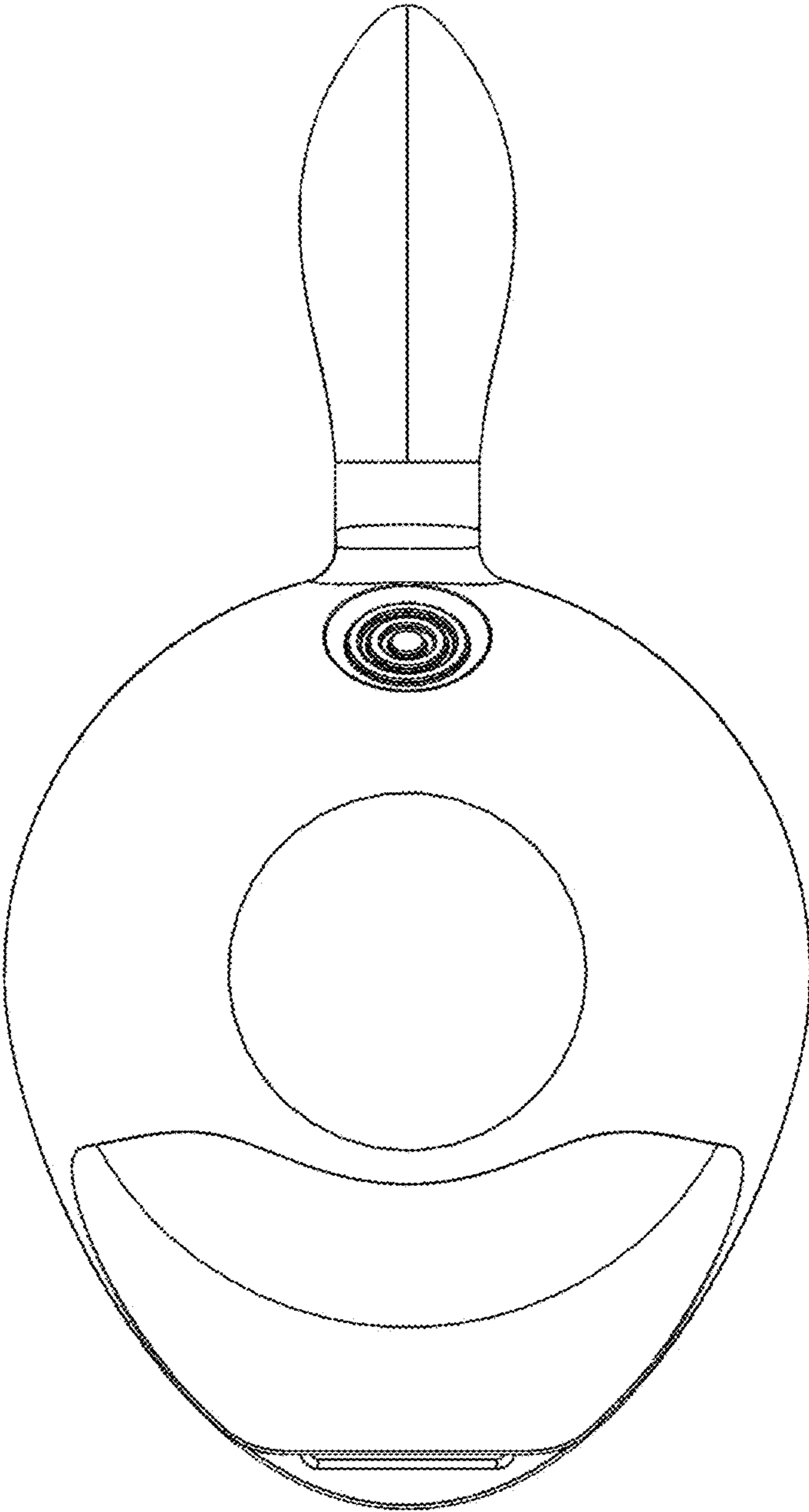


FIG. 6

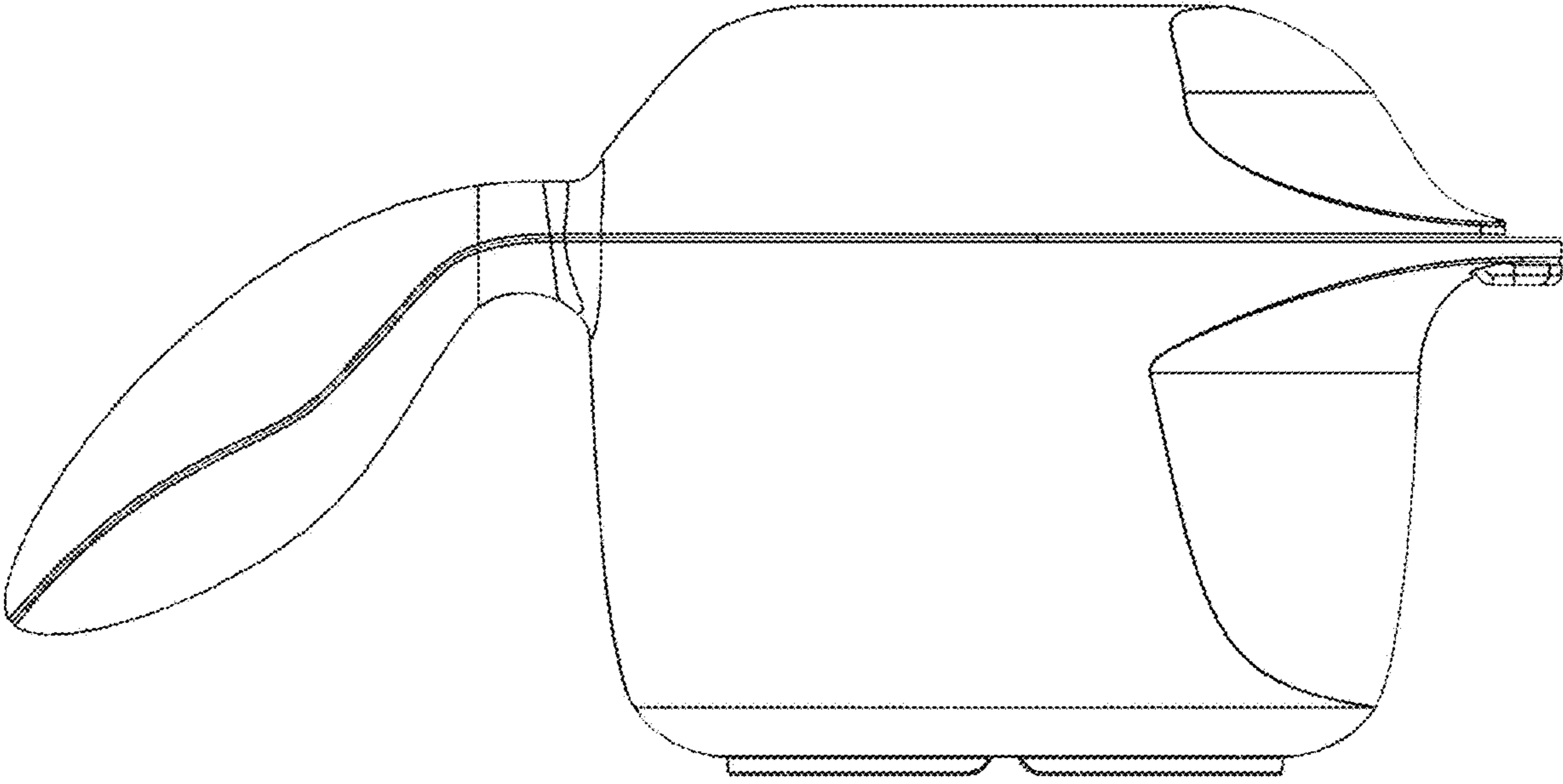


FIG. 7

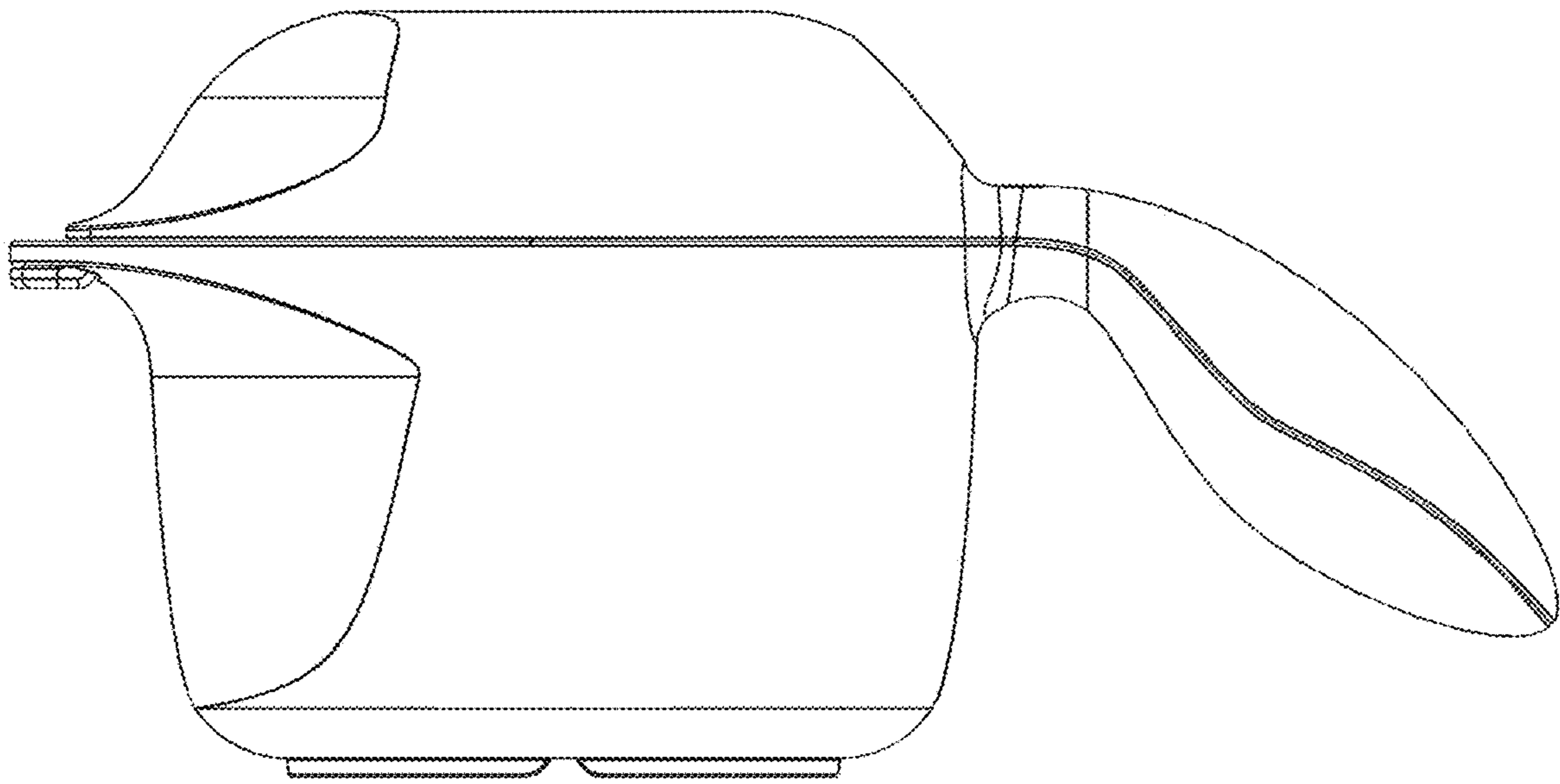


FIG. 8

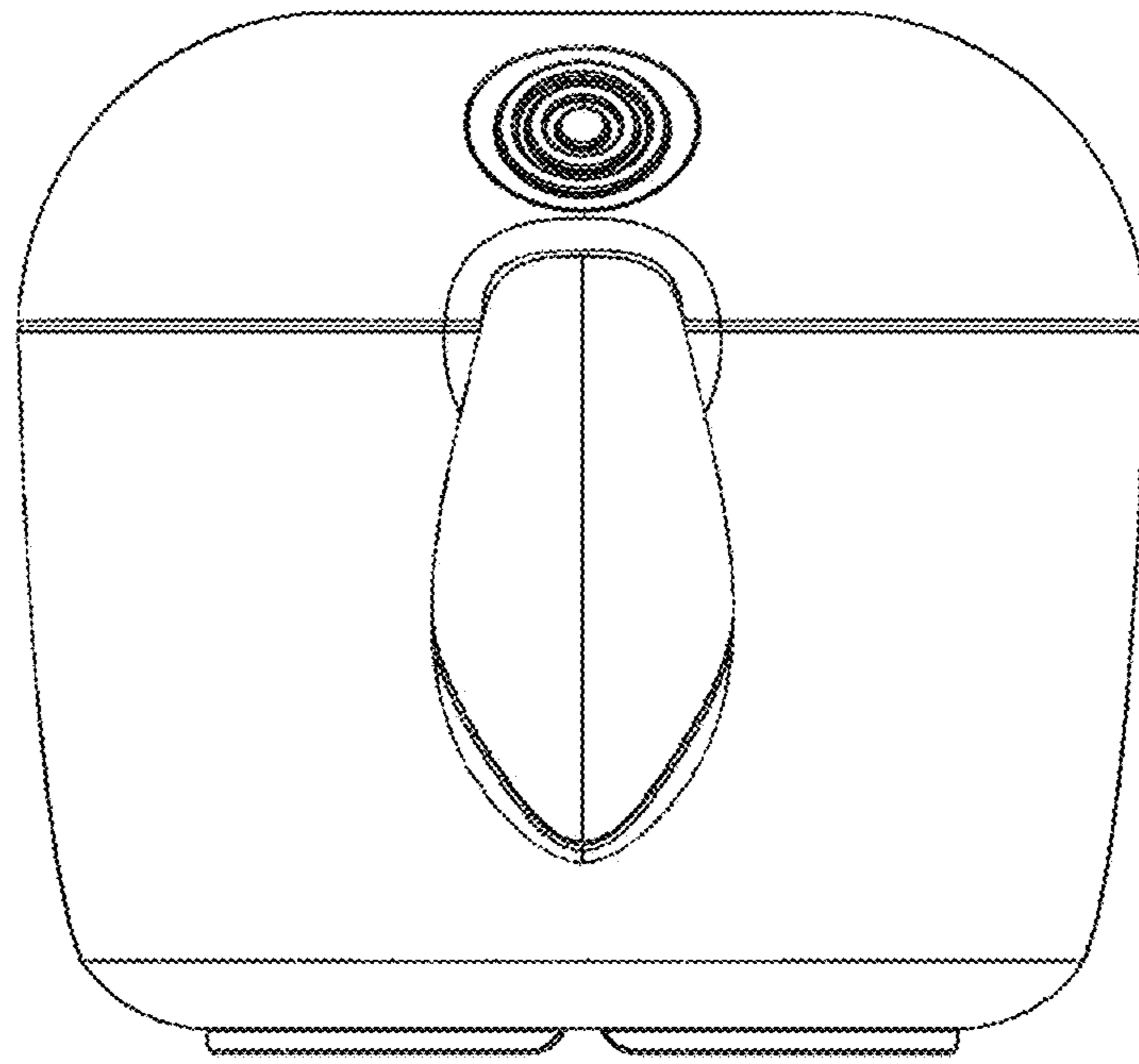


FIG. 9

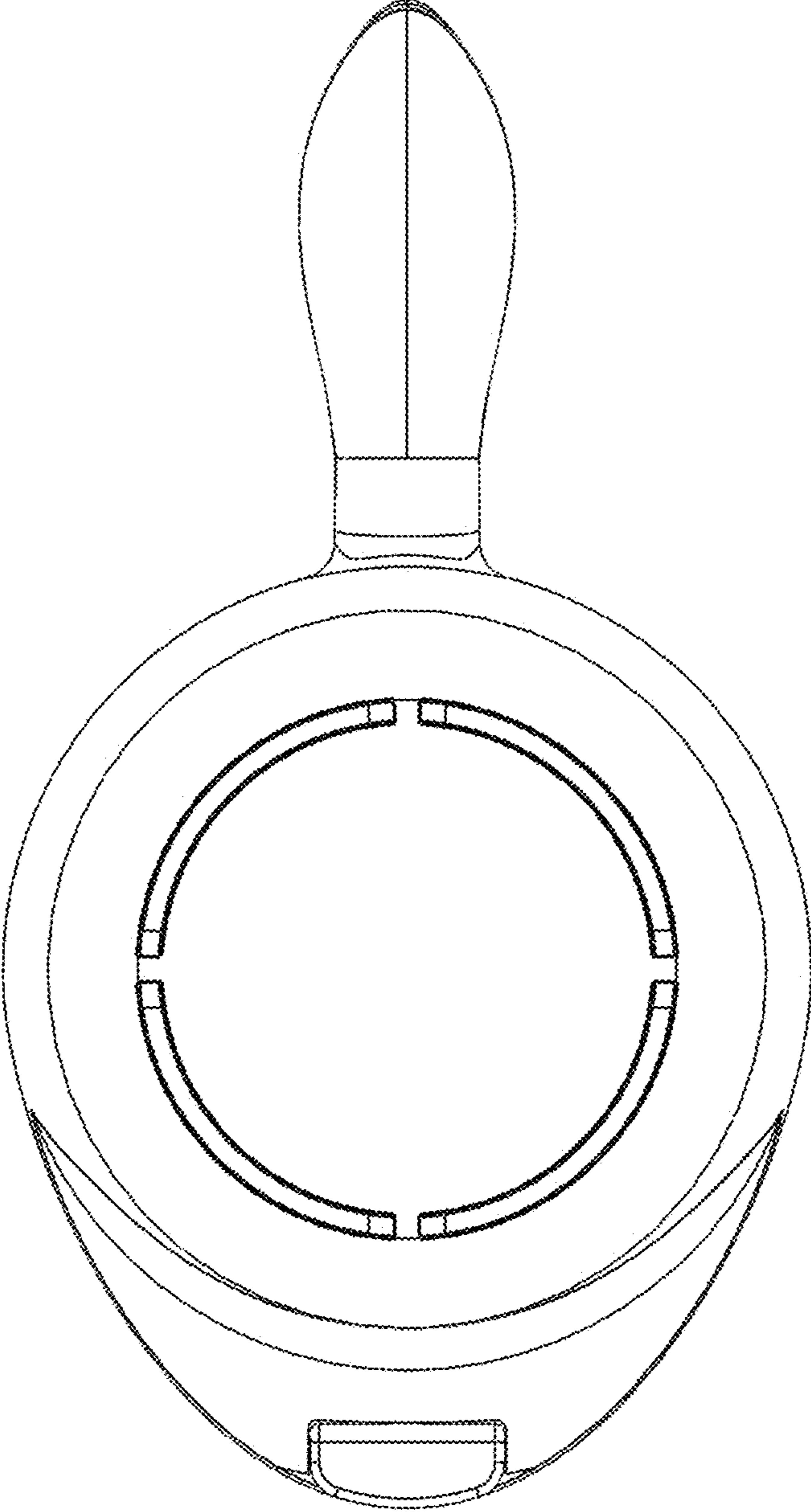


FIG. 10